


Item#	Qty	Description	MATERIAL
4	2	SIDE RAIL ASSEMBLY	WOOD
2	1	HARDWARE PACK	METAL
3	3	CROSS SLAT	METAL
4	3	**METAL CENTER SUPPORT 325mm**	METAL
5	3	**METAL CENTER SUPPORT 229mm**	METAL
6	3	**METAL ADJ CTR SUPPORT LEG 229**	METAL
7	1	**METAL ADJ CTR SUP FT LEVELER (3PACK)**	METAL

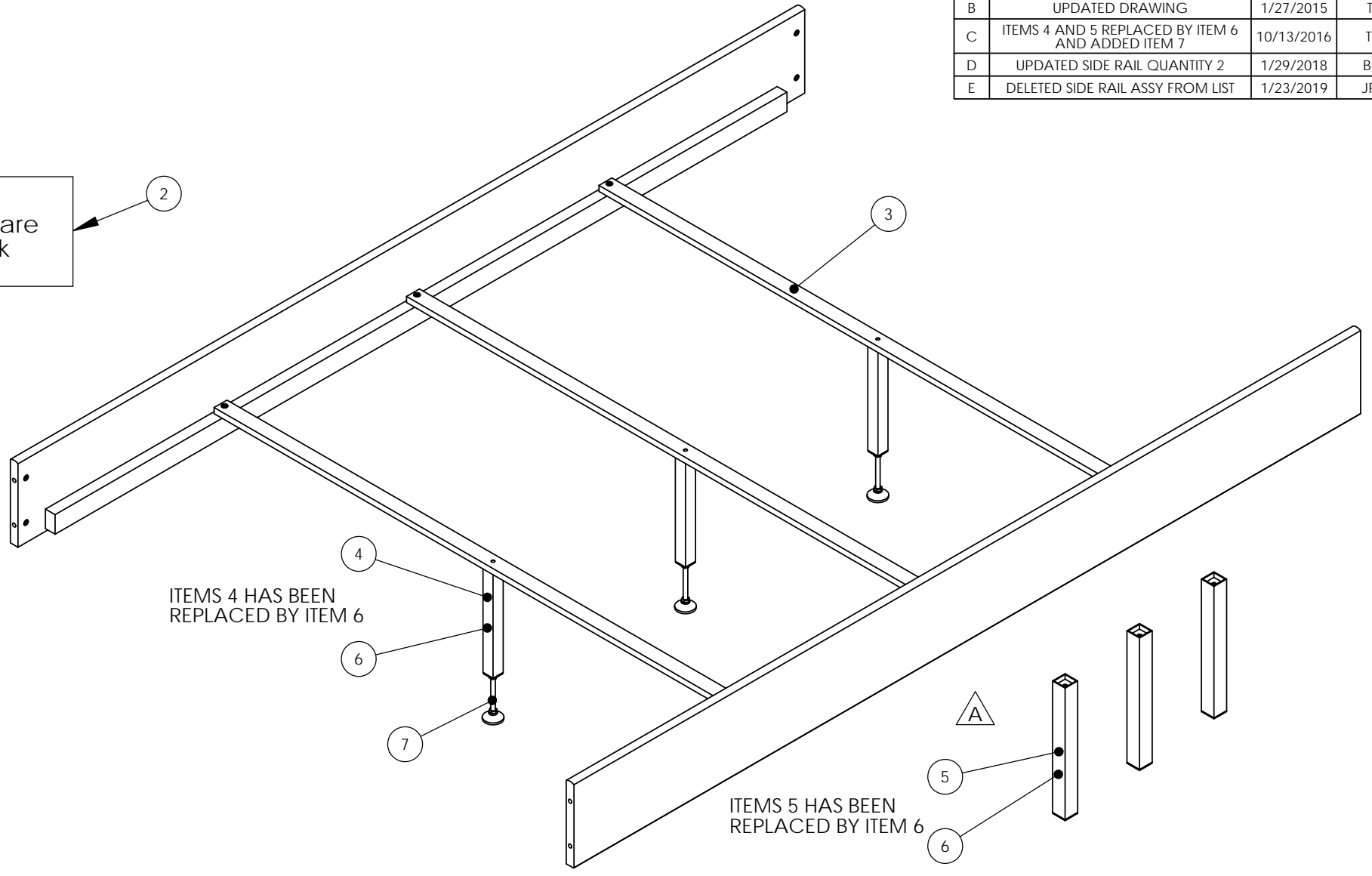
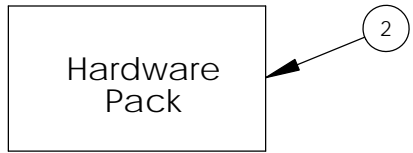
△D △E

△B

△A

△C

Dwg#: 33671			
Eng: Betty Baker		TOLERANCES ARE: METRIC:..... +.5 / -.5mm DECIMAL:..... 0 / -.008" FRACTIONAL:..... 0/ - 1/32" (UNLESS OTHERWISE SPECIFIED)	
Date: 11/6/2009	Dr By: RSM	Desc: FI Bed Rails (229-325)	
Rev.	Description	Date	Cad/Eng
A	ADDED METAL CENTER SUPPORT 229 TO PARTS LIST	12/8/2010	TH
B	UPDATED DRAWING	1/27/2015	TS
C	ITEMS 4 AND 5 REPLACED BY ITEM 6 AND ADDED ITEM 7	10/13/2016	TH
D	UPDATED SIDE RAIL QUANTITY 2	1/29/2018	BM
E	DELETED SIDE RAIL ASSY FROM LIST	1/23/2019	JRP



ITEMS 4 HAS BEEN REPLACED BY ITEM 6

ITEMS 5 HAS BEEN REPLACED BY ITEM 6

△A