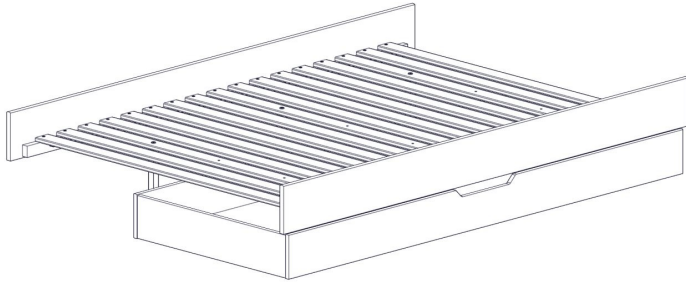
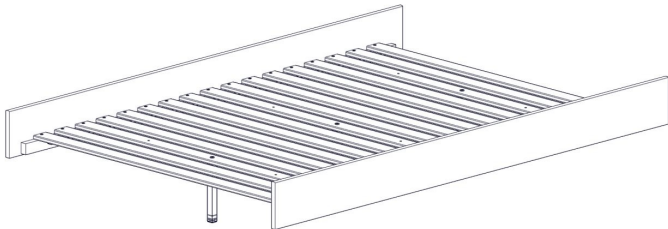


141635



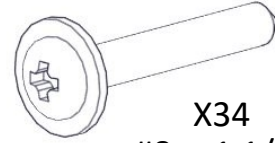
Side Storage



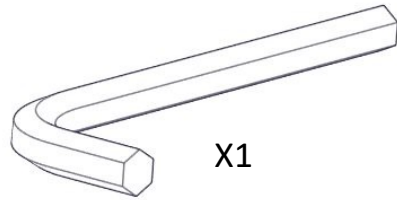
No Storage

## Hardware Components

This bag contains small parts that present a choking hazard for children under three years of age. These parts are for adult assembly only and should be permanently affixed to the furniture. Any unused parts should be discarded properly.



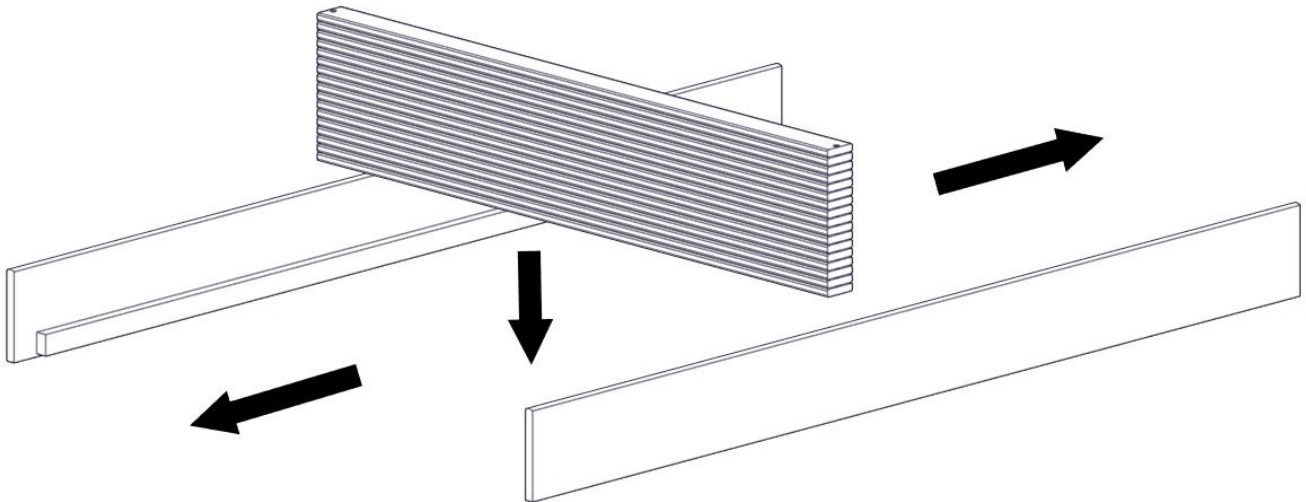
X34  
#8 x 1 1/8"



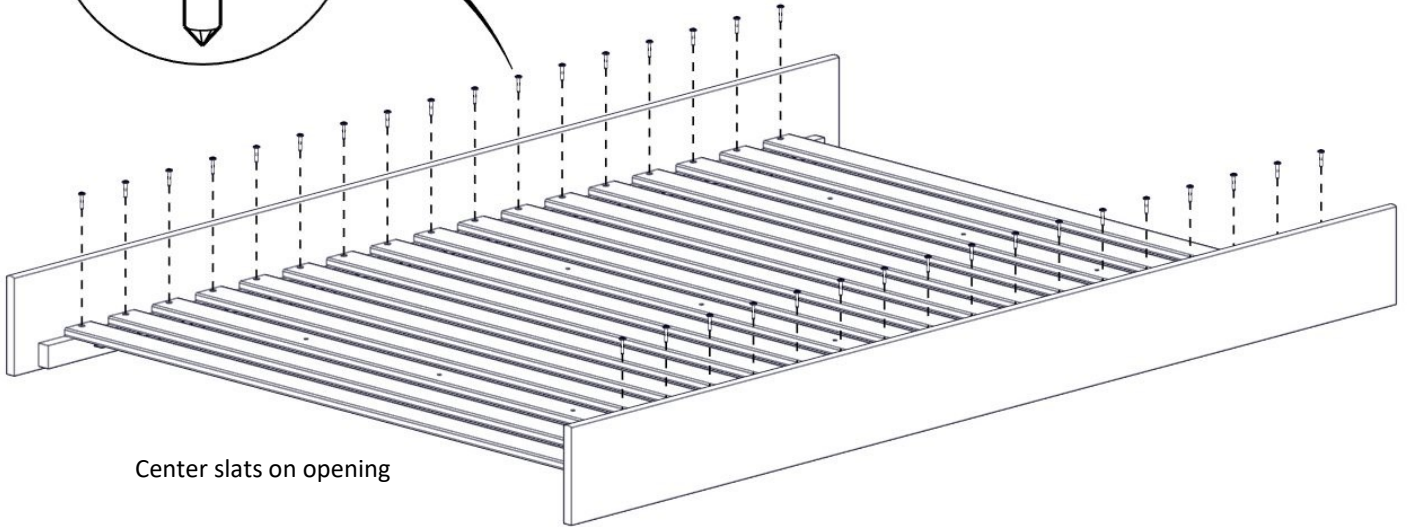
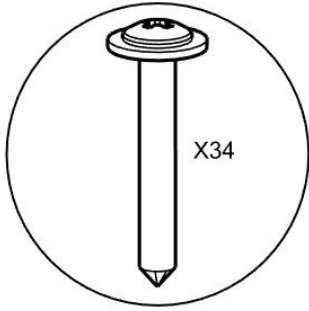
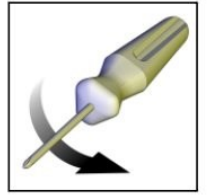
X1

Note:  
Allen Wrench, Legs and Bolts  
packed with Bed Rails

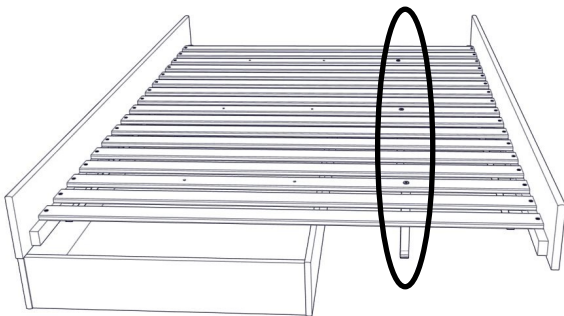
1.



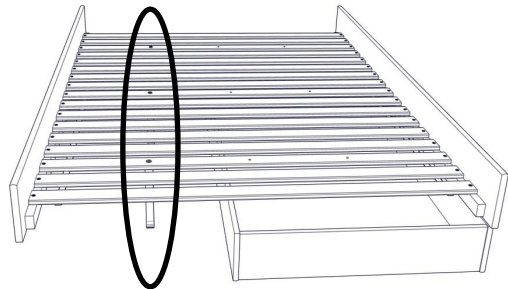
2.



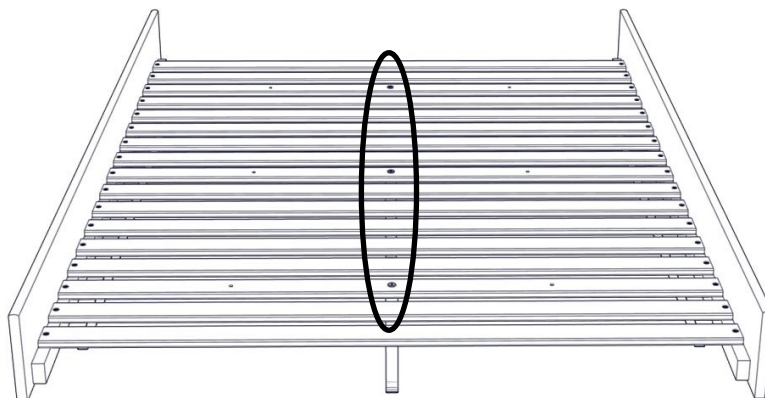
Center slats on opening



Left Storage



Right Storage



No Storage

3.

