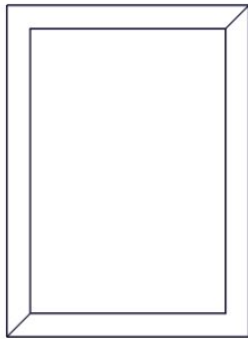
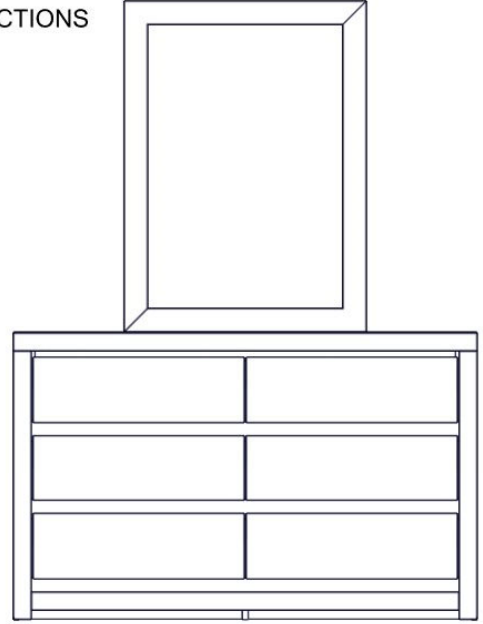
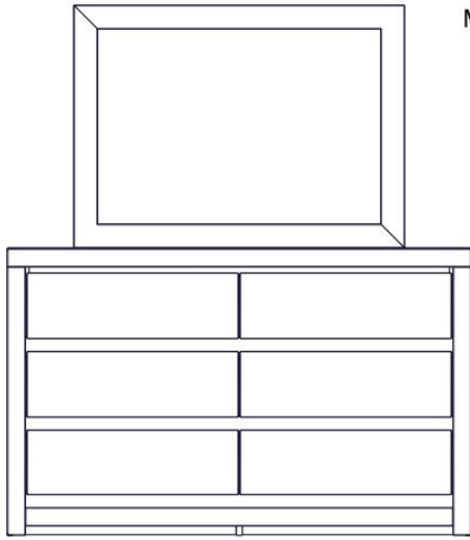






MIRROR ASSEMBLY INSTRUCTIONS  
10020307



### Hardware Components

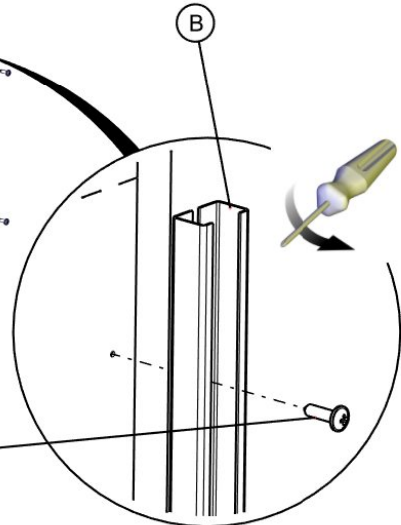
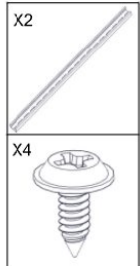
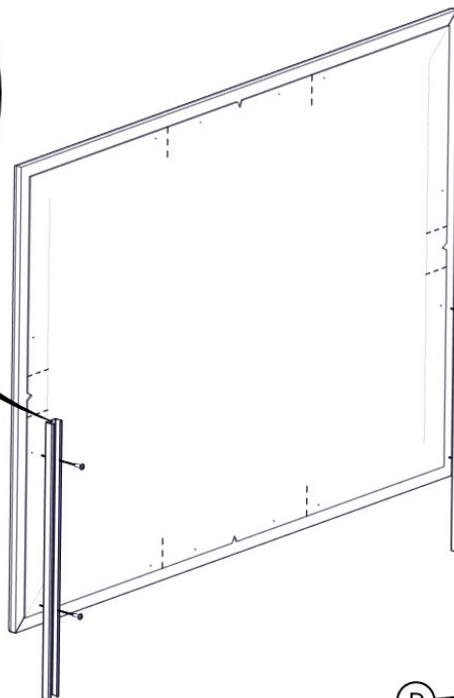
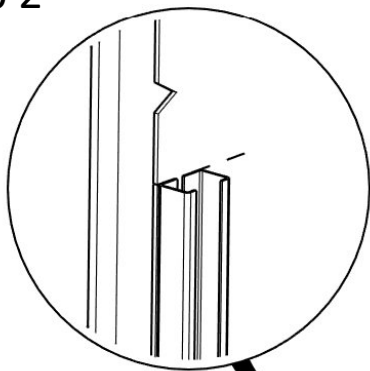
Item	Description	Qty	Image
A	DRAYWALL ANCHOR	4	
B	MIRROR BRACKET	2	

Item	Description	Qty	Image
C	8 x 1 1/4" SCREW	4	
D	8 x 5/8" SCREW	4	

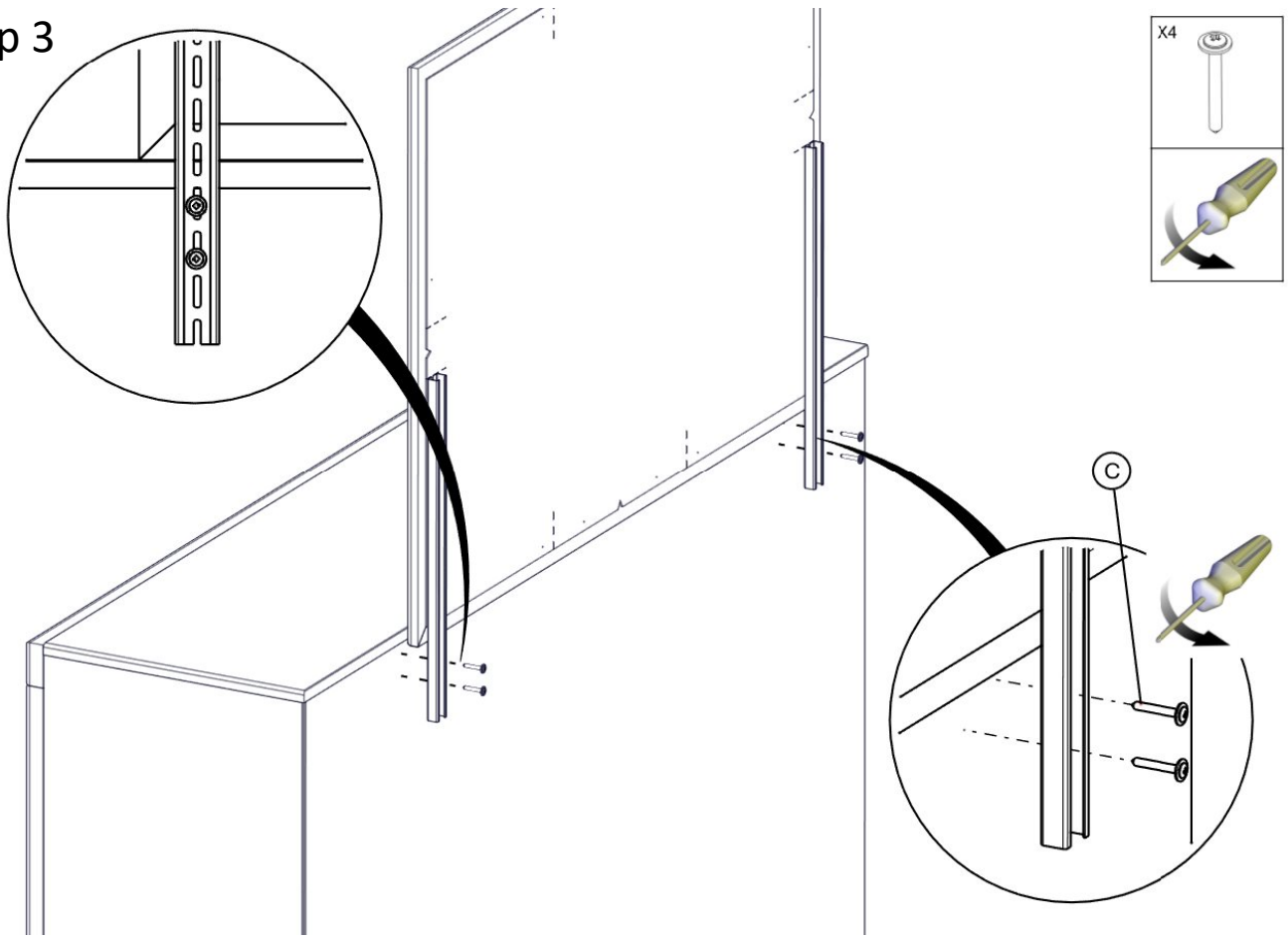
# Step 1



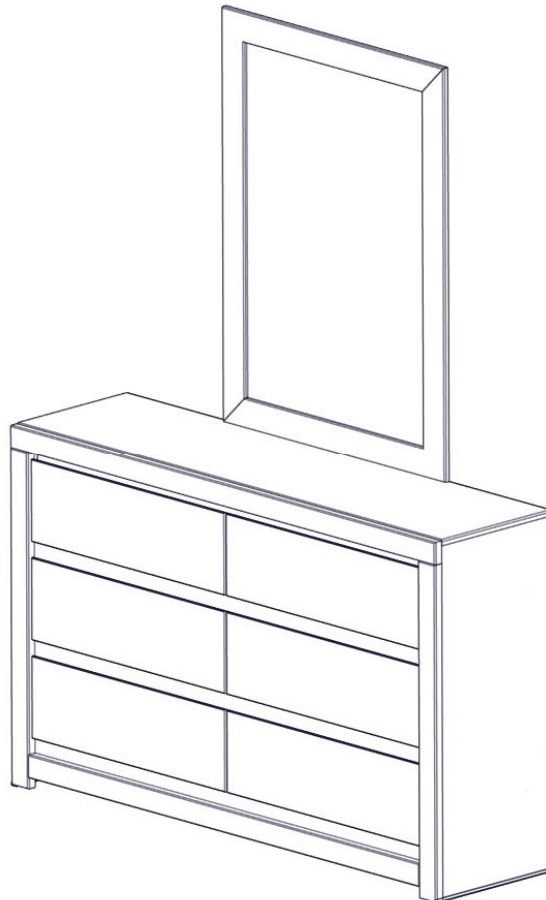
# Step 2



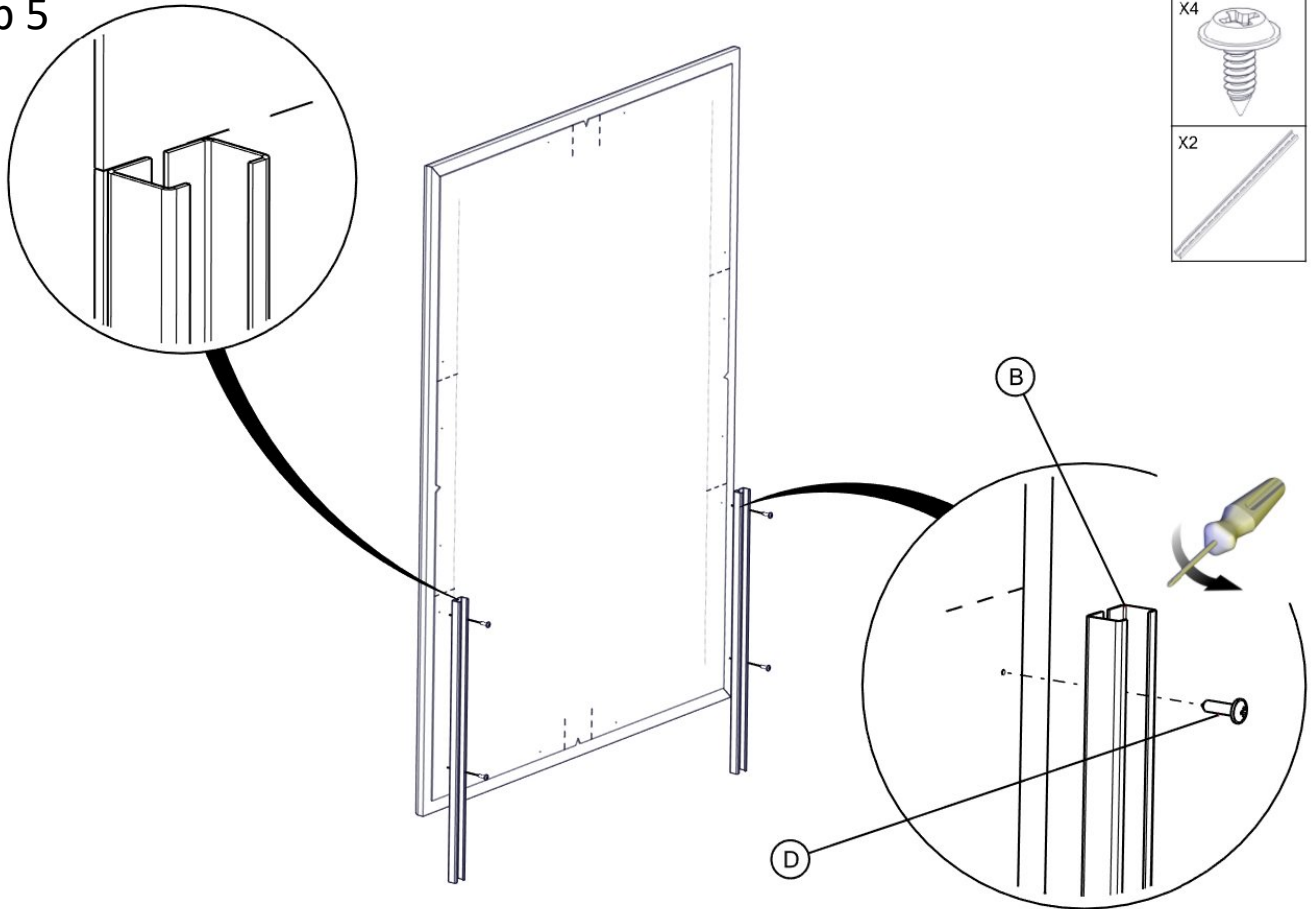
### Step 3



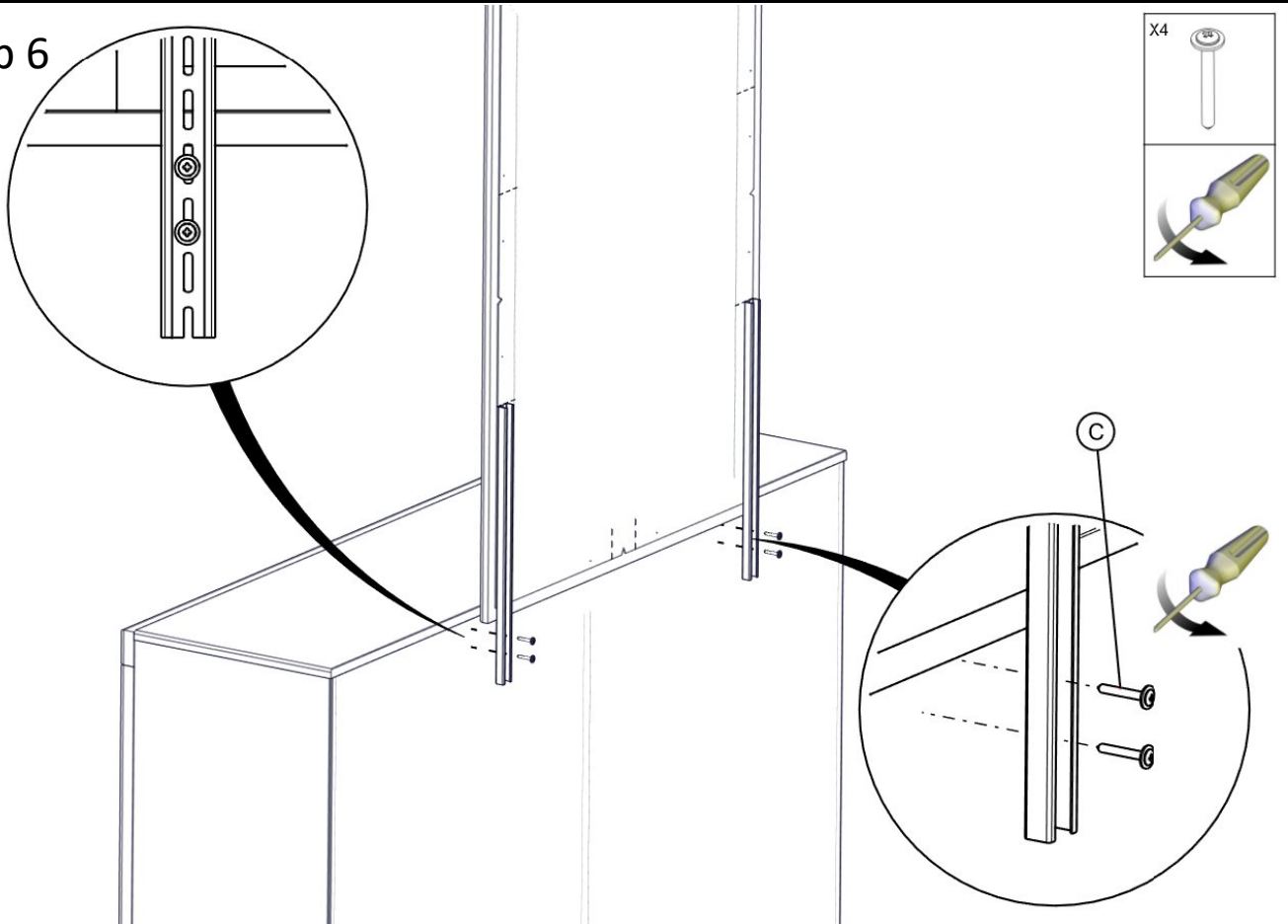
### Step 4



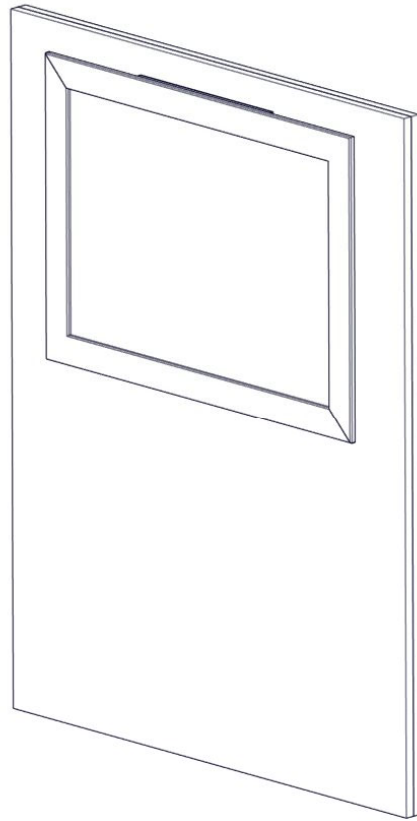
# Step 5



# Step 6

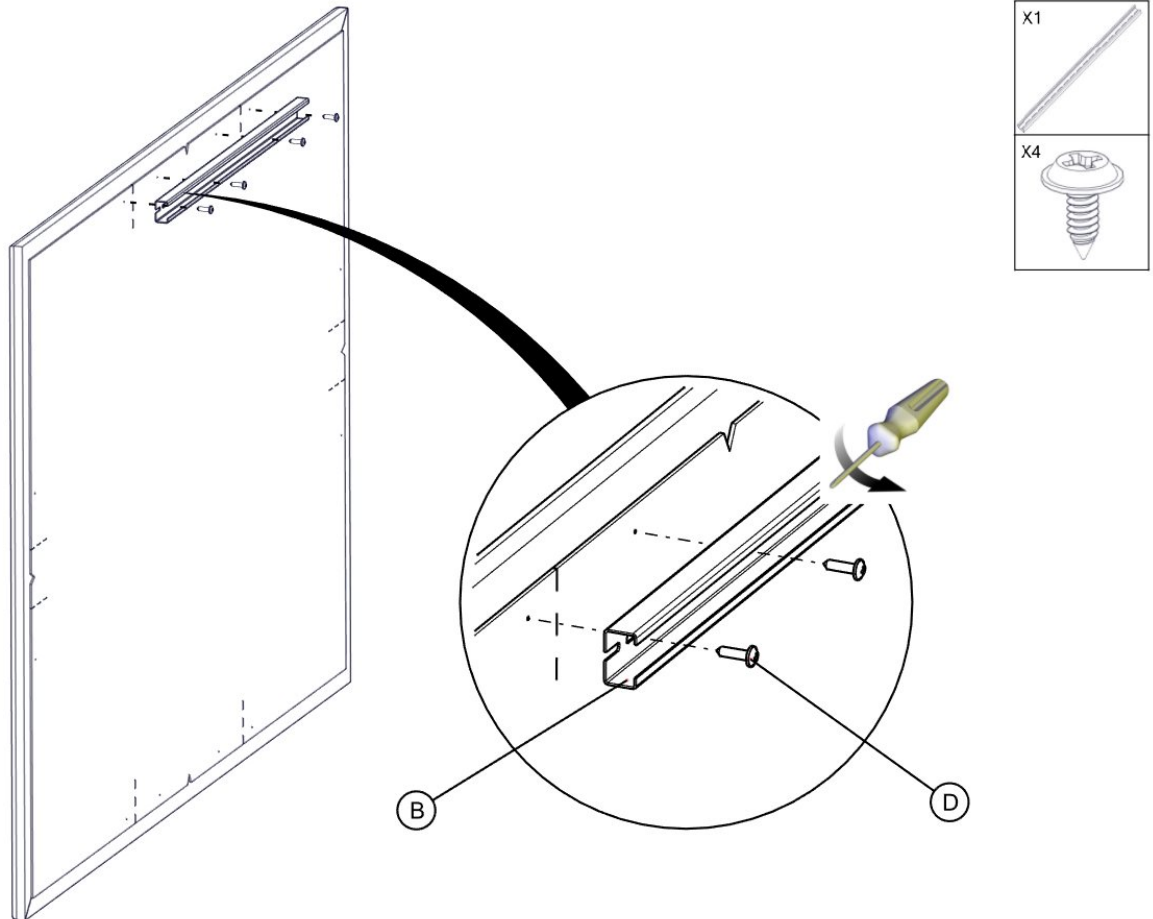


# Step 7

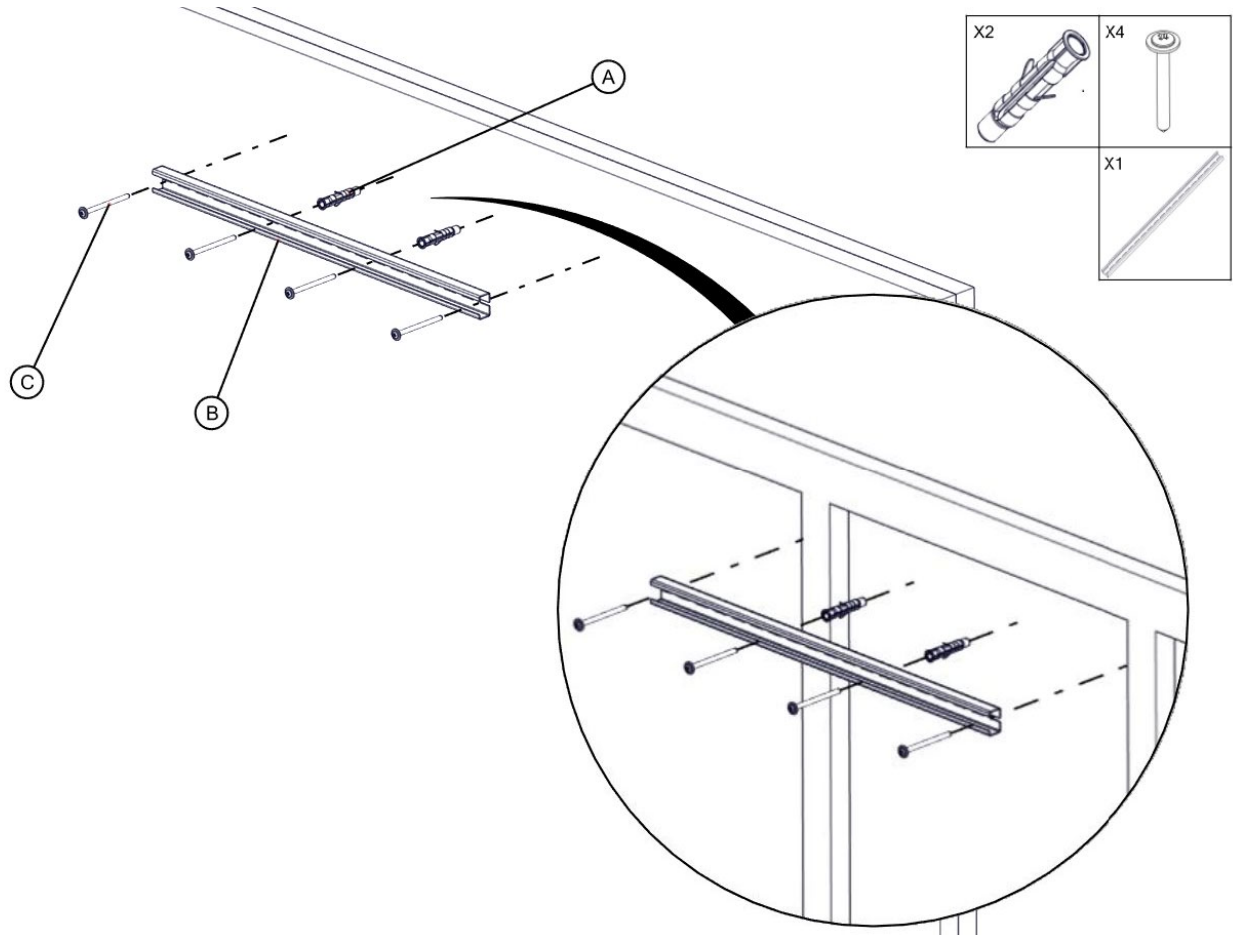


---

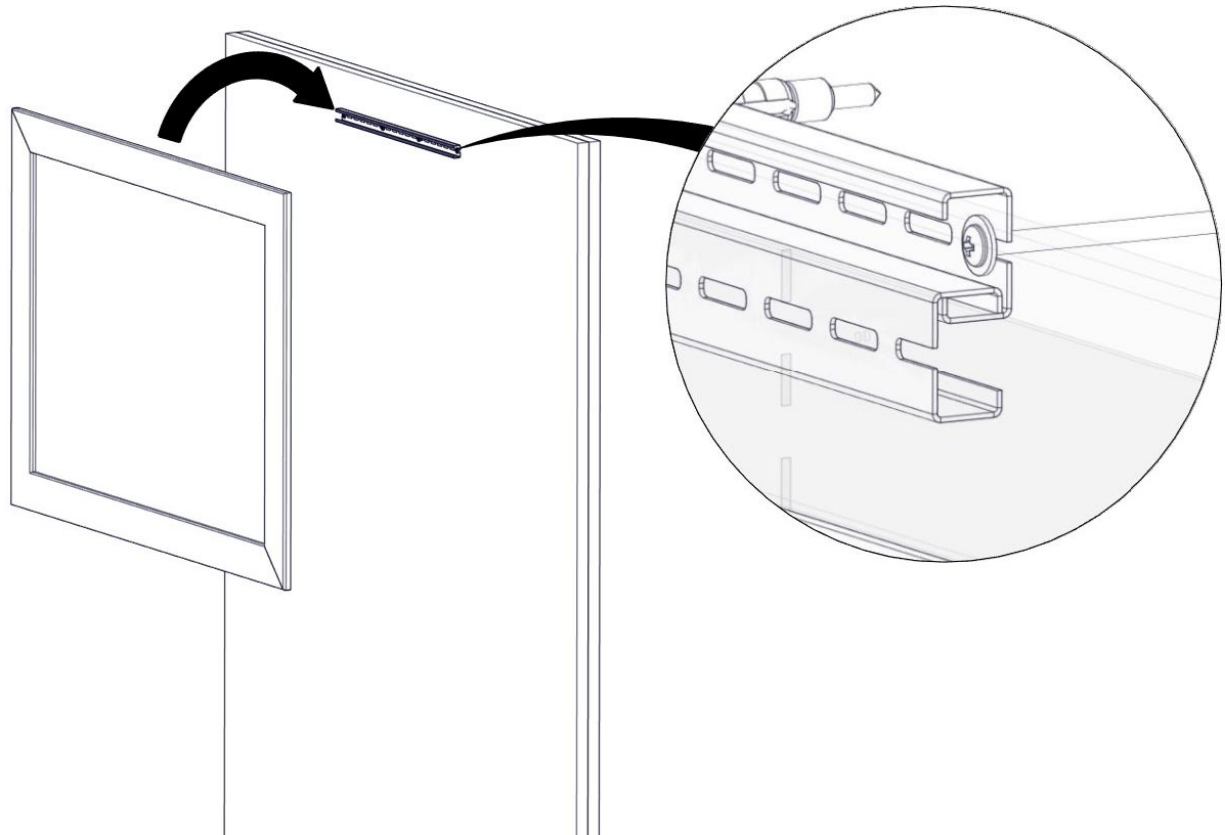
# Step 8



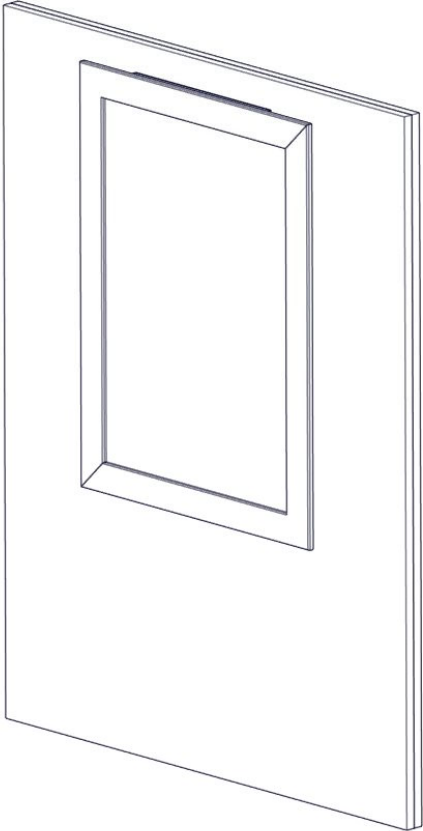
# Step 9



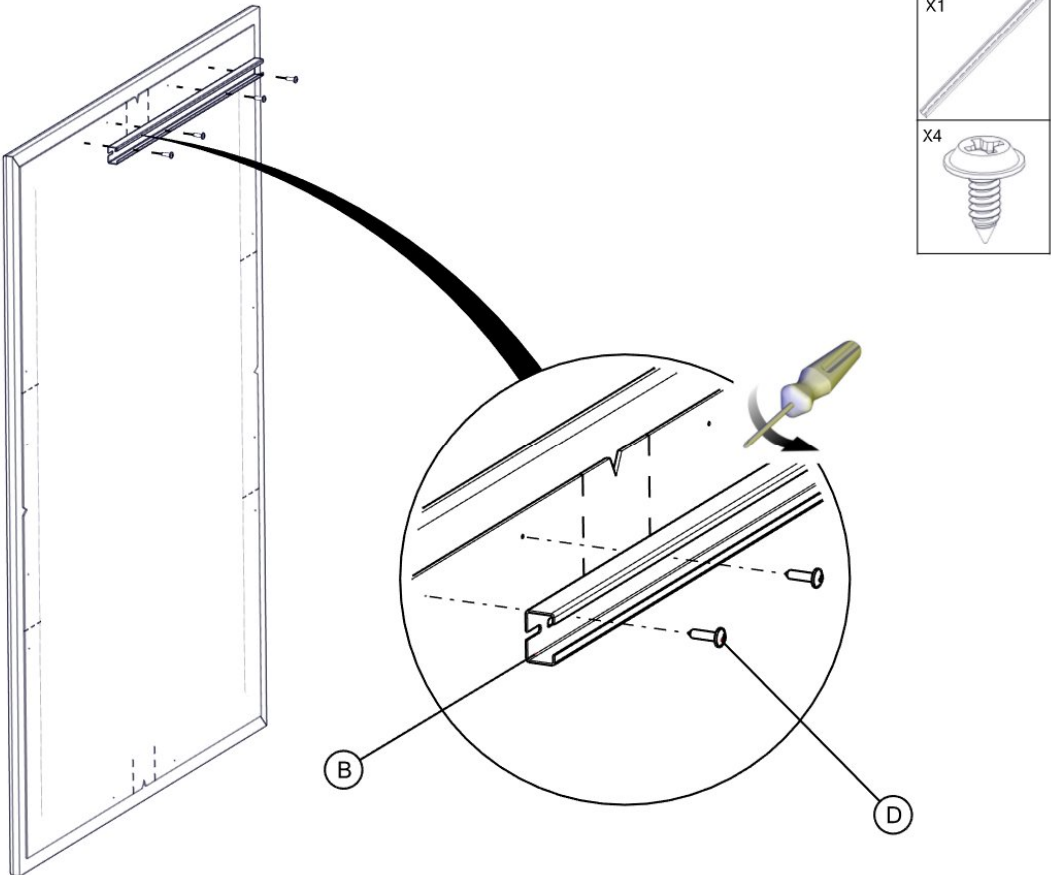
# Step 10



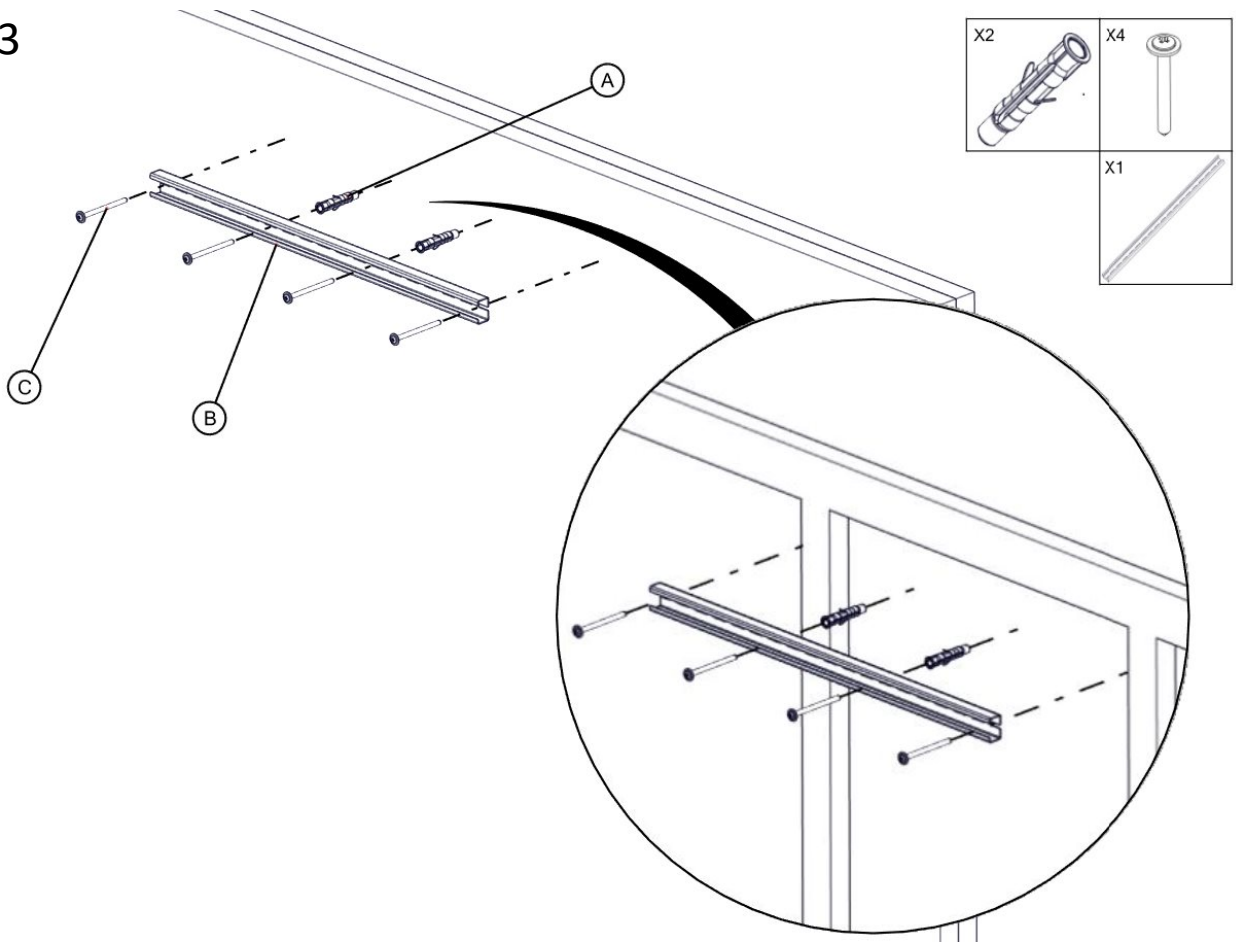
Step 11



Step 12



# Step 13



# Step 14

