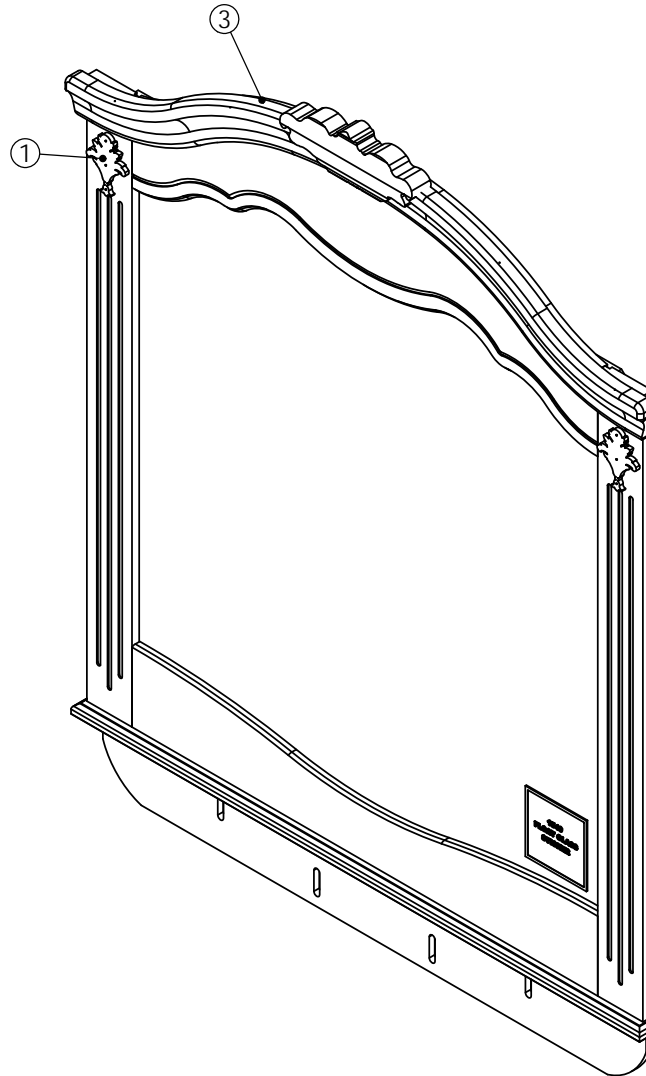


ITEM #	QTY.	PART #	DESCRIPTION
1	1	04062	PILASTER APPLIQUE
2	1	09001	HARDWARE PACK
3	1	03797	CROWN W/APPLIQUE

△



HIDDEN
 VISIBLE

DWG#: 32351				Work Order: XXXXXXXX
SCALE: 1:20		TOLERANCES ARE: METRIC----- +.5 / -.5MM DECIMAL----- +0 / -.005" FRACTIONAL----- +0/ -1/32" (UNLESS OTHERWISE SPECIFIED)		
DATE: 5/23/2007		DESC: B188-26 CUSTOMER SERVICE		
REV	DESCRIPTION	DATE	CAD	
△ A	FIXED HARDWARE PACK	5/5/08	DOM	BJB
△ B	ADDED 03797	4/28/09	BJB	BJB
△ C	09001 WAS 160966	4/19/10	MS	CE

Hardware Pack

② △