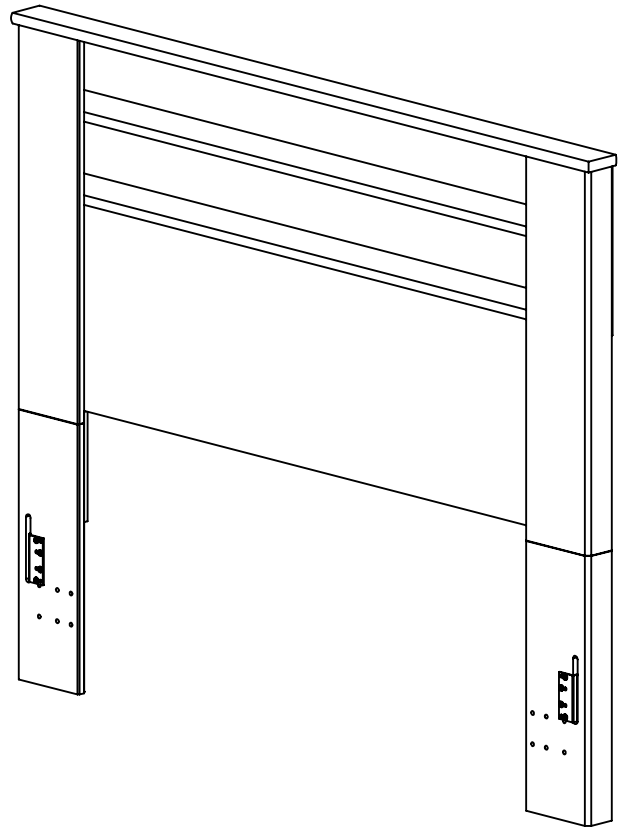
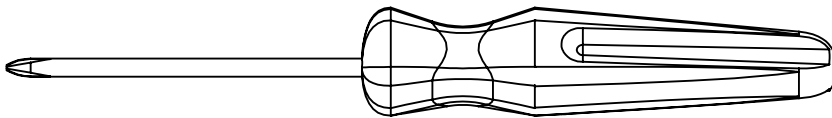
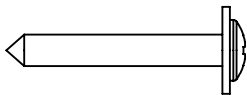


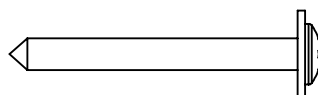
This bag contains small parts that present a choking hazard for children under 3 years of age. These parts are for adult assembly only and should be permanently affixed to the furniture. Any unused parts should be discarded properly.

**TOOLS****HARDWARE**

(4X) 1-1/8 SCREW



(8X) 1-1/2 SCREW





DWG#: 114763

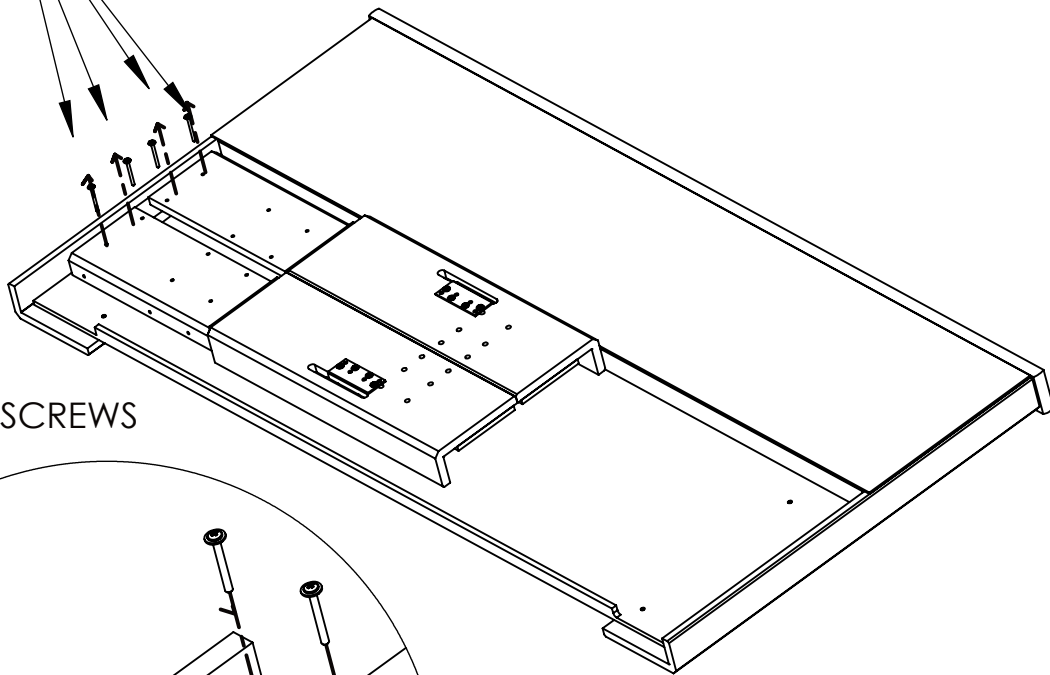
10/18/2013

Rev.

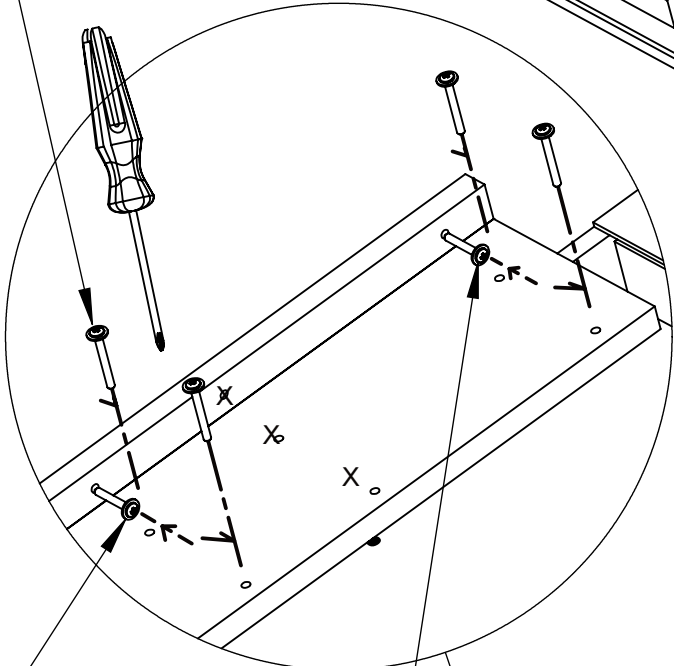
Description

Date

Cad/Eng



(X4) 1-1/2" SCREWS



(X2) 1-1/8" SCREWS

