

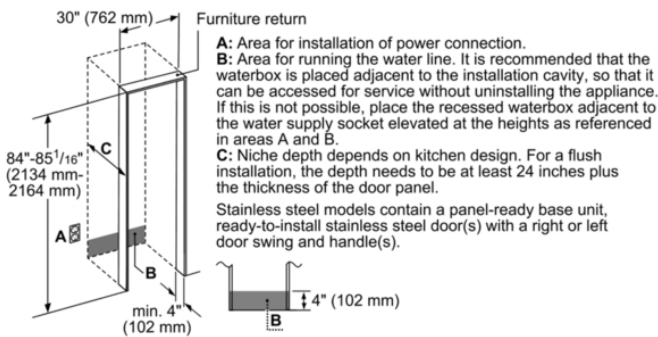
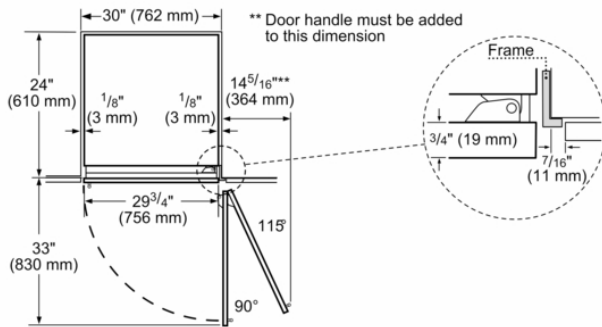
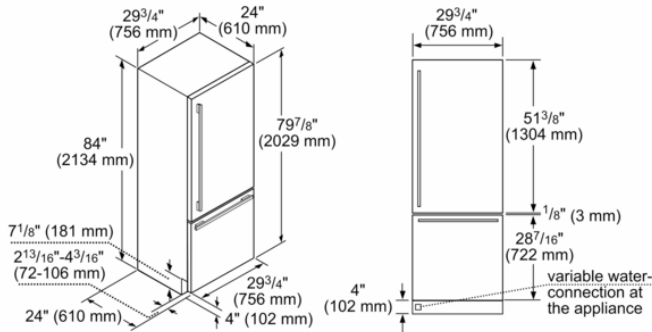
Features and Benefits



Notes: All height, width and depth dimensions are shown in inches. *Please refer to installation instructions prior to making cutout. BSH reserves the absolute and unrestricted right to change product materials and specifications, at any time, without notice. Consult the product's installation instructions for final dimensional data and other details. Applicable product warranty can be found in a accompanying product literature or you may contact your account manager for further details.

For more information on our entire line of products, go to boschappliances.com or call 1-800-944-2904.
Copyright ©2022 BSH Home Appliances Corporation. All rights reserved. Bosch is a registered trademark of Robert Bosch GmbH.

Litho Date: 05/2022



Features

Multi-Flow Air Tower	Yes
SUPERCOOL	Yes
SUPERFREEZE	No
Carbon Air Filter	No
Temperature Controlled Drawer	No
Humidity Control Drawer	Yes
Number of Door Bins - Refrigerator	3
Adjustable Door Bins - Refrigerator	No
Tilt-Out Door Bins - Refrigerator	No
Gallon Storage Bins	1
No. of shelves in fridge	3
Door Hinge	Right reversible
Adjustable Shelves - Refrigerator	2
Number of Shelves - Freezer	
Reversible Door Hinge	Yes
Adjustable Shelves - Freezer	No

Technical Specification

UPC code	825225960553
Color / Material housing	Stainless steel
Variant color	Not possible
Panel ready	Not possible
Silence level	42
Watts	350
Fuse protection	10
Volts	110-120
Frequency	60
Total annual energy consumption	469.9
ENERGY STAR®	Yes
Approval certificates	CSA
Power Cord Length	118"
Required cutout size (HxWxD) (in)	84" x 30" x 24 3/4"
Appliance Width (in)	29 3/4
Height (in)	83 3/4 "
Depth (in)	24 3/4
Capacity in 0.75l (bordeaux bottles)	
Total unit gross capacity - AHAM	16.0
Product packaging dimensions (HxWxD)	88.97 x 32.28 x 31.49
Refrigerator Gross capacity	11.5
Freezer Gross capacity	4
Net weight	439.000
Gross weight	476.000
SKU	B30BB935SS

Notes: All height, width and depth dimensions are shown in inches. *Please refer to installation instructions prior to making cutout. BSH reserves the absolute and unrestricted right to change product materials and specifications, at any time, without notice. Consult the product's installation instructions for final dimensional data and other details. Applicable product warranty can be found in a accompanying product literature or you may contact your account manager for further details.

For more information on our entire line of products, go to boschappliances.com or call 1-800-944-2904.

Copyright ©2022 BSH Home Appliances Corporation. All rights reserved. Bosch is a registered trademark of Robert Bosch GmbH.

Litho Date: 05/2022