

TOP LOAD WASHER OWNER'S MANUAL

MANUEL DE L'UTILISATEUR DE LA LAVEUSE À CHARGEMENT PAR LE DESSUS

Table of Contents

Washer Safety	2
Washer Maintenance and Care	3
Water Inlet Hoses	3
Washer Care	3
Nonuse and Vacation Care	4
Winter Storage Care	4
Transporting Your Washer	4
Reinstalling/Using Washer Again	4
Installation Instructions	5
Requirements	5
Tools and Parts	5
Location Requirements	5
Drain System	6
Electrical Requirements	6
Installation	7
Unpacking	7
Connect Drain Hose	8
Connect Inlet Hoses	8
Level Washer	9
Complete Installation Checklist	10

Table des matières

Sécurité de la laveuse	11
Entretien et réparation de la laveuse	12
Tuyaux d'arrivée d'eau	12
Entretien de la laveuse	12
Non utilisation et entretien avant les vacances	13
Entretien pour entreposage hivernal	13
Transport de la laveuse	13
Réinstallation/réutilisation de la laveuse	13
Instructions d'installation	14
Spécifications	14
Outillage et pièces	14
Exigences d'emplacement	14
Système de vidange	15
Spécifications électriques	16
Installation	16
Déballage	16
Raccordement du tuyau de vidange	17
Raccordement des tuyaux d'alimentation	18
Établissement de l'aplomb de la laveuse	19
Liste de vérification pour l'achèvement de l'installation	20

W11354658A
W11354659-SP

WASHER SAFETY

Your safety and the safety of others are very important.

We have provided many important safety messages in this manual and on your appliance. Always read and obey all safety messages.



This is the safety alert symbol.

This symbol alerts you to potential hazards that can kill or hurt you and others.

All safety messages will follow the safety alert symbol and either the word "DANGER" or "WARNING." These words mean:

▲ DANGER

You can be killed or seriously injured if you don't immediately follow instructions.

▲ WARNING

You can be killed or seriously injured if you don't follow instructions.

All safety messages will tell you what the potential hazard is, tell you how to reduce the chance of injury, and tell you what can happen if the instructions are not followed.

IMPORTANT SAFETY INSTRUCTIONS

WARNING: To reduce the risk of fire, electric shock, or injury to persons when using your appliance, follow basic precautions, including the following:

- Read all instructions before using the appliance.
- Do not wash articles that have been previously cleaned in, washed in, soaked in, or spotted with gasoline, dry-cleaning solvents, or other flammable or explosive substances, as they give off vapors that could ignite or explode.
- Do not add gasoline, dry-cleaning solvents, or other flammable or explosive substances to the wash water. These substances give off vapors that could ignite or explode.
- Under certain conditions, hydrogen gas may be produced in a hot-water system that has not been used for 2 weeks or more. **HYDROGEN GAS IS EXPLOSIVE.** If the hot-water system has not been used for such a period, before using a washing machine, turn on all hot-water faucets and let the water flow from each for several minutes. This will release any accumulated hydrogen gas. As the gas is flammable, do not smoke or use an open flame during this time.
- Do not allow children to play on or in the appliance. Close supervision of children is necessary when the appliance is used near children.
- Before the appliance is removed from service or discarded, remove the door.
- Do not reach into the appliance if the tub or agitator is moving.
- Do not install or store this appliance where it will be exposed to the weather.
- Do not tamper with controls.
- Do not repair or replace any part of the appliance or attempt any servicing unless specifically recommended in the user-maintenance instructions or in published user-repair instructions that you understand and have the skills to carry out.
- Do not use replacement parts that have not been recommended by the manufacturer (e.g. parts made at home using a 3D printer).
- See the Installation Instructions for grounding requirements and installation.

SAVE THESE INSTRUCTIONS

WARNING

Certain internal parts are intentionally not grounded and may present a risk of electric shock only during servicing. Service Personnel – Do not contact the thermostat bracket while the appliance is energized.

CHOOSING THE RIGHT DETERGENT

Use only High Efficiency detergents. The package will be marked "HE" or "High Efficiency." Low-water washing creates excessive sudsing with a non-HE detergent. Using non-HE detergent will likely result in longer cycle times and reduced rinsing performance. It may also result in component malfunction and, over time, buildup of mold or mildew. HE detergents should be low-sudsing and quick-dispersing to produce the right amount of suds for the best performance. They should hold soil in suspension so it is not redeposited onto clean clothes. Not all detergents labeled as High Efficiency are identical in formulation and their ability to reduce suds. For example, natural, organic, or homemade HE detergents may generate a high level of suds. Always follow the detergent manufacturer's instructions to determine the amount of detergent to use. Do not go over the Max Line on the dispenser. See Quick Start Guide for more information.

WASHER MAINTENANCE AND CARE

Water Inlet Hoses

Replace inlet hoses after 5 years of use to reduce the risk of hose failure. Periodically inspect and replace inlet hoses if bulges, kinks, cuts, wear, or leaks are found.

When replacing your inlet hoses:

- Mark the date of replacement on the label with a permanent marker.
- Check that the old washers are not stuck on the washer inlet valves.
- Use new washers in the new inlet hoses to ensure a proper seal.

NOTE: This washer may not include inlet hoses. See the Installation Instructions for more information.

Washer Care

Recommendations to help keep your washer clean and performing at its best

1. Always use High Efficiency (HE) detergents and follow the HE detergent manufacturer's instructions regarding the amount of HE detergent to use. Never use more than the recommended amount because that may increase the rate at which detergent and soil residue accumulate inside your washer, which in turn may result in undesirable odor.
2. Use warm and hot wash water settings sometimes (not exclusively cold water washes), because they do a better job of controlling the rate at which soils and detergent accumulate.
3. Always leave the washer lid open between uses to help dry out the washer and prevent the buildup of odor-causing residue.

Cleaning your top-loading washer

Read these instructions completely before beginning the routine cleaning processes recommended below. This Washer Maintenance Procedure should be performed, at a minimum, once per month or every 30 wash cycles, whichever occurs sooner, to control the rate at which soils and detergent may otherwise accumulate in your washer.

Cleaning the inside of the washer

To keep your washer odor-free, follow the usage instructions provided above and use this recommended monthly cleaning procedure:

Recommended cycle for cleaning the ashtray

Some models have a "Clean Washer" cycle that uses higher water volumes in combination with affresh® Washer Cleaner or liquid chlorine bleach to clean the inside of the washer.

If your model does not have a "Clean Washer" cycle, refer to the online Cycle Guide for the optimal cycle for cleaning the inside of the washer. Use this cycle with affresh® Washer Cleaner or liquid chlorine bleach as described below.

Description of Clean Washer with affresh® cycle operation:

1. This cycle will fill to a washer level high than in normal wash cycles to provide rinsing than in normal wash cycles to provide rinsing at a level above the water line for normal wash.
2. During this cycle, there will be some agitation and spinning to increase the removal of soils.

After this cycle is complete, leave the lid open to allow for better ventilation and drying of the washer interior.

Begin procedure

1. Affresh® washer cleaner cycle procedure (recommended for best performance):

- a. Open the washer lid and remove any clothing or items.
- b. Place an affresh® Washer Cleaner tablet in the bottom of the washer basket.
- c. Do not place an affresh® Washer Cleaner tablet in the detergent dispenser.
- d. Do not add any detergent or other chemical to the washer when following this procedure.
- e. Close the washer lid.
- f. Select the cycle recommended for cleaning the inside of the washer.
- g. Press the Start button to start the cycle.

NOTE: For best results, do not interrupt cycle. If cycle must be interrupted, press Power/Cancel. (For models with no Power/Cancel button, press and hold Start/Pause for three seconds.) After the cycle has stopped, run a Rinse & Spin cycle to rinse cleaner from washer.

2. Chlorine bleach procedure (alternative):

- a. Open the washer lid and remove any clothing or items.
- b. Add 1 cup (236 mL) of liquid chlorine bleach to the bleach compartment.
NOTE: Use of more liquid chlorine bleach than is recommended above could cause washer damage over time.
- c. Close the washer lid.
- d. Do not add any detergent or other chemical to the washer when following this procedure.
- e. Select the cycle recommended for cleaning the inside of the washer.
- f. Press the Start button to start the cycle.

NOTE: For best results, do not interrupt cycle. If cycle must be interrupted, press Power/Cancel. (For models with no Power/Cancel button, press and hold Start/Pause for three seconds.) After the cycle has stopped, run a Rinse & Spin cycle to rinse cleaner from washer.

Cleaning the dispensers

After a period of using your washer, you may find some residue buildup in the washer's dispensers.

IMPORTANT: Dispensers are not dishwasher-safe.

For non-removable dispensers:

To remove residue from the dispensers, wipe them with an affresh® Machine Cleaning Wipe or a damp cloth and towel dry. Do not attempt to remove the dispensers or trim for cleaning. The dispensers and trim are not removable.

For removable dispensers:

If your model has a dispenser drawer, press tab(s) to remove the drawer and clean it with an affresh® Machine Cleaning Wipe or a damp cloth and towel dry before or after you run the Clean Washer cycle. Use an all-purpose surface cleaner, if needed.

Cleaning the outside of the washer

IMPORTANT: To avoid damaging the washer's finish, do not use abrasive products.

Use an affresh® Machine Cleaning Wipe, a soft, damp cloth, or sponge to wipe away any spills. Use an affresh® Machine Cleaning Wipe or only mild soaps or cleaners when cleaning external washer surfaces.

Nonuse and Vacation Care

Operate your washer only when you are home. If moving, or not using your washer for a period of time, follow these steps:

1. Unplug or disconnect power to washer.
2. Turn off water supply to washer to avoid flooding due to water pressure surge.

Winter Storage Care

IMPORTANT: To avoid damage, install and store washer where it will not freeze. Because some water may stay in hoses, freezing can damage washer. If storing or moving during freezing weather, winterize your washer.

To winterize washer:

1. Shut off both water faucets; disconnect and drain water inlet hoses.
2. Put 1 L (1 qt.) of R.V.-type antifreeze in basket and run washer on Rinse & Spin cycle for about 30 seconds to mix antifreeze and remaining water.
3. Unplug washer or disconnect power.

Transporting Your Washer

1. Shut off both water faucets. Disconnect and drain water inlet hoses.
2. If washer will be moved during freezing weather, follow "Winter Storage Care" directions before moving.
3. Disconnect drain hose from drain system and drain any remaining water into a pan or bucket. Disconnect drain hose from back of washer.
4. Unplug power cord.
5. Place inlet hoses and drain hose inside washer basket.
6. Drape power cord over edge and into washer basket.
7. Place original shipping materials back inside washer. If you do not have shipping materials, place heavy blankets or towels into basket opening. Close lid and place tape over lid and down front of washer. Keep lid taped until washer is placed in new location. Transport washer in the upright position.

Reinstalling/Using Washer Again

⚠ WARNING



Electrical Shock Hazard

Plug into a grounded 3 prong outlet.

Do not remove ground prong.

Do not use an adapter.

Do not use an extension cord.

Failure to follow these instructions can result in death, fire, or electrical shock.

To reinstall washer after nonuse, vacation, winter storage, or moving:

1. Refer to Installation Instructions to locate, level, and connect washer.
2. Before using again, run washer through the following recommended procedure:

To use washer again:

1. Flush water pipes and hoses.
2. Reconnect water inlet hoses.
3. Turn on both water faucets.
4. Plug into a grounded 3 prong outlet or reconnect power.
5. See your online Cycle Guide for information about which cycle(s) to run your washer through to clean washer and remove antifreeze, if used. Use only HE High Efficiency detergent. Use half the manufacturer's recommended amount for a medium-size load.

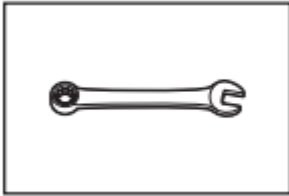
INSTALLATION INSTRUCTIONS

REQUIREMENTS

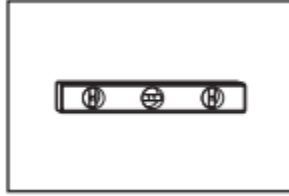
Tools and Parts

Gather required tools and parts before starting installation.

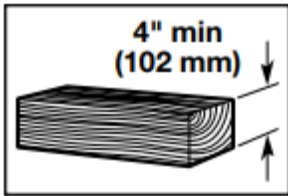
Tools Needed:



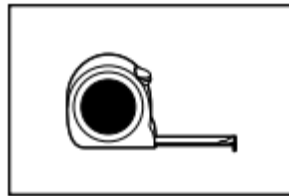
Adjustable or open end wrench 9/16" (14 mm)



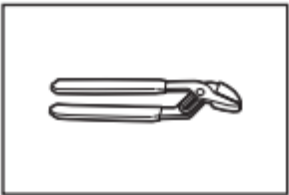
Level



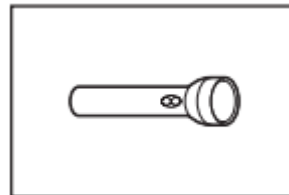
Wood block



Ruler or measuring tape



Adjustable pliers that open to 1 3/4" (45 mm)



Flashlight



Bucket

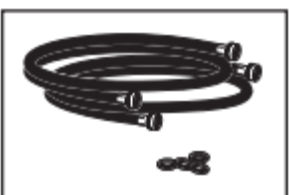
Parts Supplied:

NOTE: All parts supplied for installations are in the washer.



Drain hose with clamp, U-form, and cable tie

Parts Needed: (if not supplied with washer)



Inlet hoses with flat washers

NOTE: Various inlet hose options are available; check your Quick Start Guide for ordering information.

Alternate Parts: (not supplied with washer)

Your installation may require additional parts. To order, please refer to the contact information referenced in your Quick Start Guide.

If you have:

Overhead sewer

1" (25 mm) standpipe

Drain hose too short

Lint-clogged drain

You will need:

Standard 20 gal. (76 L) 39" (990 mm) tall drain tub or utility sink, sump pump, and connectors (available from local plumbing suppliers)

2" (51 mm) diameter to 1" (25 mm) diameter standpipe adapter and connector kit

Extension drain hose and connector kit

Drain protector and connector kit

Location Requirements

Select proper location for your washer to improve performance and minimize noise and possible "washer walk." Install your washer in a basement, laundry room, closet, or recessed area.

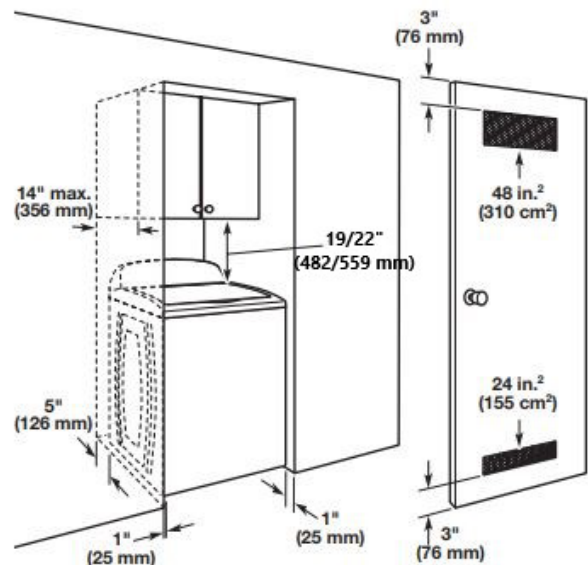
IMPORTANT: Do not install, store, or operate washer where it will be exposed to weather or in temperatures below 32°F (0°C). Water remaining in washer after use may cause damage in low temperatures. See "Washer Maintenance and Care" for winterizing information.

Proper installation is your responsibility.

You will need:

- A water heater set to 120°F (49°C).
- A grounded electrical outlet located within 4 ft. (1.2 m) of power cord on back of washer.
- Hot and cold water faucets located within 3 ft. (0.9 m) of hot and cold water fill valves on washer, and water pressure of 20–100 psi (138–690 kPa).
- A level floor with maximum slope of 1" (25 mm) under entire washer. Installing on carpet or surfaces with foam backing is not recommended.
- Floor must support washer's total weight (with water and load) of 315 lbs. (143 kgs).

Recessed area or closet installation



NOTE: All 27" wide washers should have 19" clearance, while all 29" wide washers should have 22" clearance.

All dimensions show recommended spacing allowed, except for closet door ventilation openings, which are the minimum required. This washer has been tested for installation with spacing of 0" (0 mm) clearance on the sides. Consider allowing more space for ease of installation and servicing, and spacing for companion appliances and clearances for walls, doors, and floor moldings. Add spacing of 1" (25 mm) on all sides of washer to reduce noise transfer. If a closet door or louvered door is installed, top and bottom air openings in door are required.

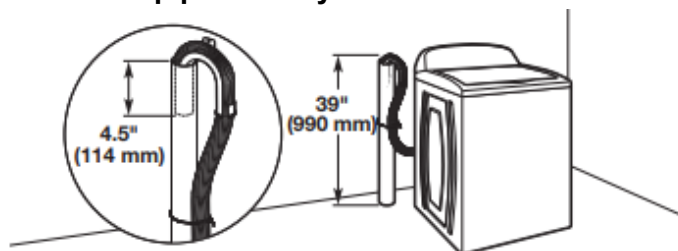
*For additional details (or information) specific to your model, refer to your Quick Start Guide.

Drain System

Drain system can be installed using a floor drain, wall standpipe, floor standpipe, or laundry tub. Select the method you need.

IMPORTANT: To avoid siphoning, no more than 4.5" (114 mm) of drain hose should be inside standpipe or below the top of wash tub. Secure drain hose with cable tie.

Floor standpipe drain system



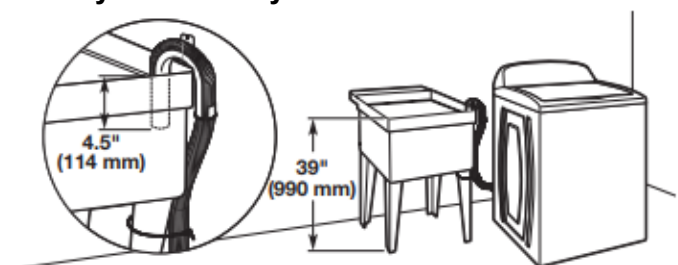
Minimum diameter for a standpipe drain: 2" (51 mm). Minimum carry-away capacity: 17 gal. (64 L) per minute. Top of standpipe must be at least 39" (990 mm) high; install no higher than 96" (2.44 m) from bottom of washer. If you must install higher than 96" (2.44 m), you will need a sump pump system.

Wall standpipe drain system



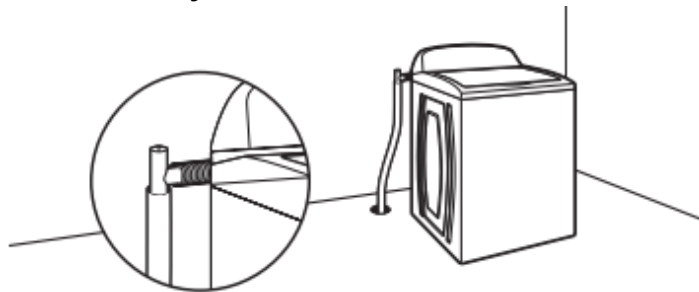
See requirements in the "Floor standpipe drain system" section.

Laundry tub drain System



Minimum capacity: 20 gal. (76 L). Top of laundry tub must be at least 39" (990 mm) above floor; install no higher than 96" (2.44 m) from bottom of washer.

Floor Drain System



Floor drain system requires a Siphon Break Kit, 2 Connector Kits, and an Extension Drain Hose that may be purchased separately; refer to the Quick Start Guide for online ordering information. Minimum siphon break height: 28" (710 mm) from bottom of washer (additional hoses may be needed).

Electrical Requirements

⚠ WARNING



Electrical Shock Hazard

Plug into a grounded 3 prong outlet.

Do not remove ground prong.

Do not use an adapter.

Do not use an extension cord.

Failure to follow these instructions can result in death, fire, or electrical shock.

- A 120 V, 60 Hz, AC-only, 15 or 20 A, fused electrical supply is required. A time-delay fuse or circuit breaker is recommended. It is recommended that a separate circuit breaker serving only this appliance be provided.
- This washer is equipped with a power supply cord having a 3-prong grounding plug.
- To minimize possible shock hazard, the cord must be plugged into a mating, 3-prong, grounding-type outlet, grounded in accordance with local codes and ordinances. If a mating outlet is not available, it is the personal responsibility and obligation of the customer to have the properly grounded outlet installed by a qualified electrician.
- If codes permit and a separate ground wire is used, it is recommended that a qualified electrician determine that the ground path is adequate.
- Do not ground to a gas pipe.
- Check with a qualified electrician if you are not sure the washer is properly grounded.
- Do not have a fuse in the neutral or ground circuit.

GROUNDING INSTRUCTIONS

For a grounded, cord-connected appliance:

This appliance must be grounded. In the event of a malfunction or breakdown, grounding will reduce the risk of electric shock by providing a path of least resistance for electric current. This appliance is equipped with a cord having an equipment-grounding conductor and a grounding plug. The plug must be plugged into an appropriate outlet that is installed and grounded in accordance with all local codes and ordinances.

WARNING: Improper connection of the equipment-grounding conductor can result in a risk of electric shock. Check with a qualified electrician or service representative if you are in doubt as to whether the appliance is properly grounded. Do not modify the plug provided with the appliance: If it will not fit the outlet, have a proper outlet installed by a qualified electrician.

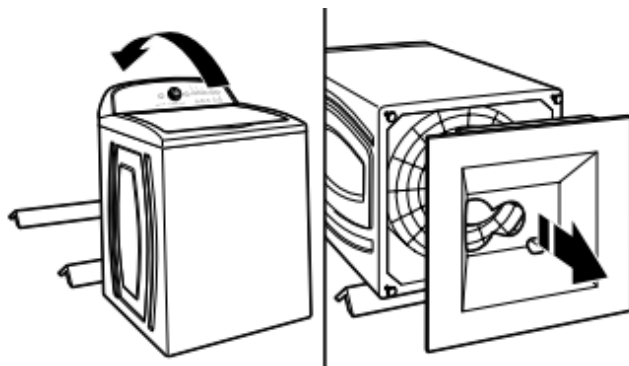
For a permanently connected appliance:

This appliance must be connected to a grounded metal, permanent wiring system, or an equipment-grounding conductor must be run with the circuit conductors and connected to the equipment-grounding terminal or lead on the appliance.

SAVE THESE INSTRUCTIONS

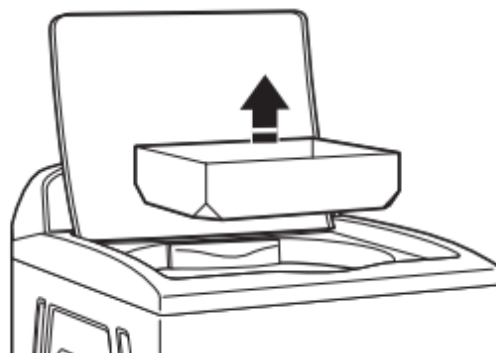
2. Remove shipping base

IMPORTANT: Removing shipping base is necessary for proper operation. If your washer includes a sound shield, please refer to the instructions included with the sound shield to install it at this time.



To avoid damaging floor, place cardboard supports from shipping carton on floor behind washer. Tip washer back and place on cardboard supports. Remove shipping base (some models require shipping base to be rotated 90° to the right before pulling off). Set washer upright.

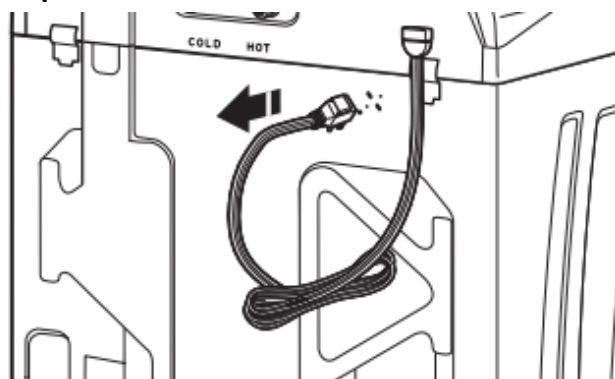
3. Remove packaging material from inside washer



Remove tape from washer lid, open lid, and remove packaging material from washer tub. Be sure that all parts have been removed from inside washer.

NOTE: Keep packaging material for inside washer in case you need to move washer later.

4. Free power cord



Firmly grasp power cord plug and pull to free from rear panel. Gently place power cord over console to allow free access to back of washer.

INSTALLATION

Unpacking

⚠ WARNING

Excessive Weight Hazard

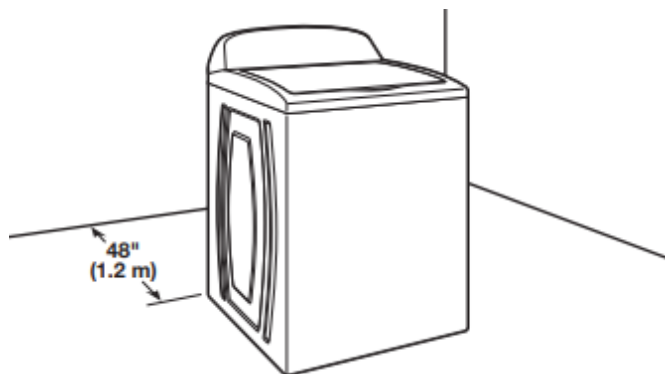
Use two or more people to move and install or uninstall appliance.

Failure to do so can result in back or other injury.

Before you start: remove shipping materials.

It is necessary to remove all shipping materials for proper operation and to avoid excessive noise from washer.

1. Move Washer

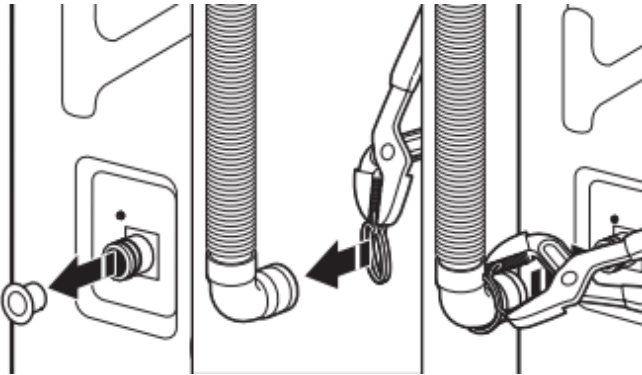


Move washer to within 4 ft. (1.2 m) of its final location; it must be in a fully upright position.

NOTE: To avoid floor damage, set washer onto cardboard before moving it and make sure lid is taped shut.

Connect Drain Hose

5. Attach drain hose to drain port



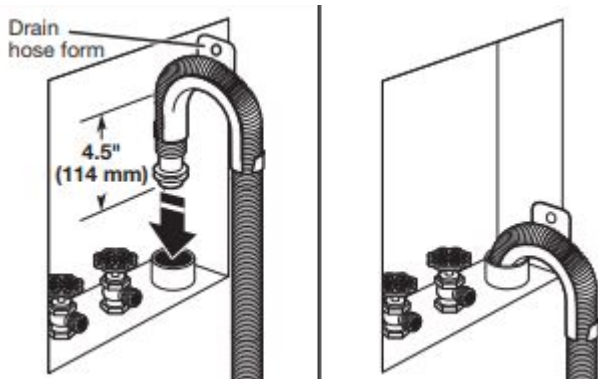
If applicable, remove the red plastic plug from the black drain port on the back of the washer.

If clamp is not already in place on elbow end of drain hose, slide it over end as shown. Squeeze clamp with pliers and slide black elbow end of drain hose onto black drain port and secure with clamp.

For a laundry tub or standpipe drain, go to step 6.

For a floor drain, remove the pre-installed drain hose form as shown in step 7. You may need additional parts with separate directions. See the "Alternate Parts" section.

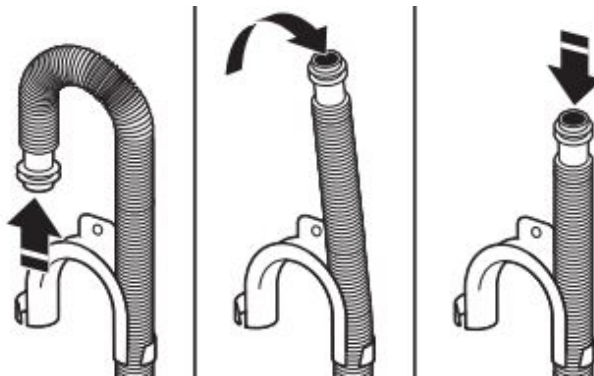
6. Place drain hose in standpipe



IMPORTANT: 4.5" (114 mm) of drain hose should be inside standpipe; do not force excess hose into standpipe or lay on bottom of laundry tub. Drain hose form must be used.

Place hose into standpipe (shown in picture) or over side of laundry tub.

7. Remove drain hose form (floor drain installations only)



For floor drain installations, you will need to remove the drain hose form from the end of the drain hose. You may need additional parts with separate directions. See "Tools and Parts."

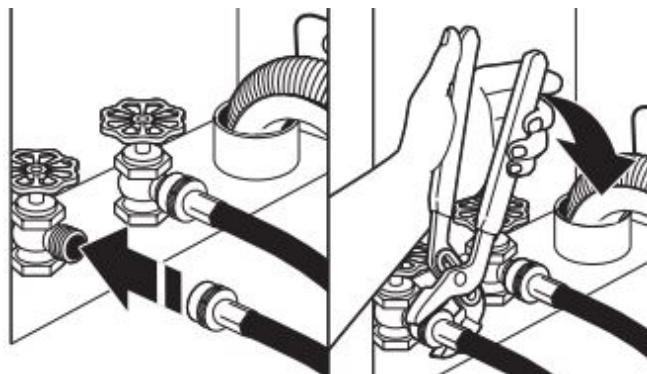
It is the responsibility of the installer to install and secure the drain hose into the provided plumbing/drain in a manner that will avoid the drain hose coming out of and leaking from the plumbing/drain.

Connect Inlet Hoses

Washer must be connected to water faucets with new inlet hoses with flat washers (not provided). Do not use old hoses.

NOTE: Both hoses must be attached and have water flowing to inlet valves. If you are only connecting to a cold water faucet, you must use a Y-adaptor (not provided).

8. Connect inlet hoses to water faucets



IMPORTANT: Do not overtighten hose or use tape or sealants on valve. Damage to the valves can result.

Attach hose to hot water faucet. Screw on coupling by hand until it is seated on washer. Use adjustable pliers to tighten couplings an additional two-thirds turn. Repeat this step with second hose for cold water faucet.

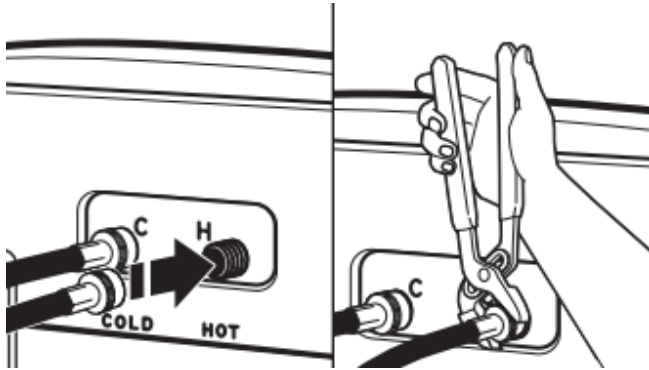
9. Clear water lines



Run water for a few seconds through hoses into a laundry tub, drainpipe, or bucket to prevent clogs. Water should run until clear.

Make note of which hose is connected to hot water to help in attaching hoses to washer correctly.

10. Connect inlet hoses to washer

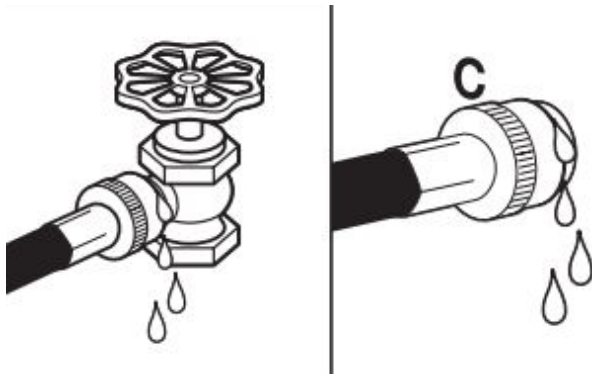


IMPORTANT: To reduce risk of hose failure, replace the hoses every 5 years. Record hose installation or replacement dates for future reference.

- Do not overtighten hose or use tape or sealants on valve. Damage to the valves can result.
- Periodically inspect and replace hoses if bulges, kinks, cuts, wear, or leaks are found.

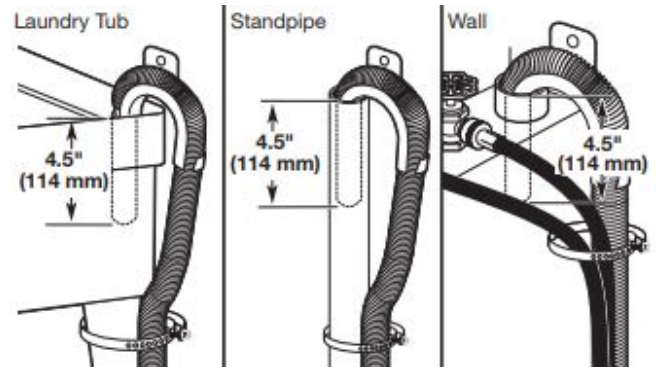
Attach hot water hose to red hot water inlet valve. Screw coupling by hand until it is snug. Use pliers to tighten couplings an additional two-thirds turn. Repeat with cold water inlet valve.

11. Check for leaks



Turn on water faucets to check for leaks. A small amount of water may enter washer. It will drain later.

12. Secure drain hose



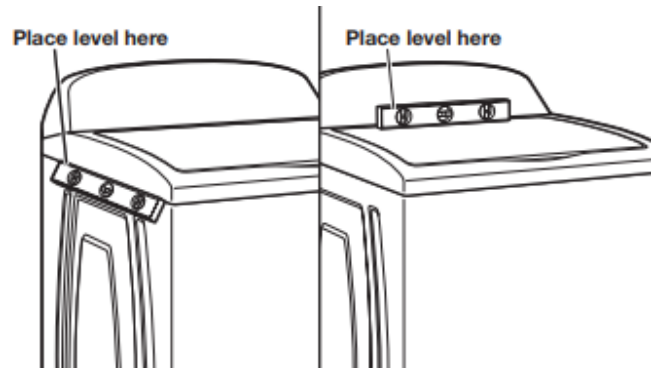
Secure drain hose to laundry tub leg, drain standpipe, or inlet hoses for wall standpipe with cable tie.

It is the responsibility of the installer to install and secure the drain hose into the provided plumbing/drain in a manner that will avoid the drain hose coming out of or leaking from the plumbing/drain.

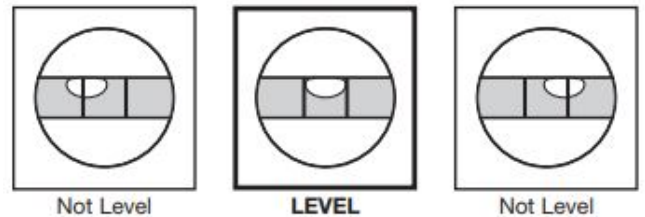
Level Washer

NOTE: Level washer properly to reduce excess noise and vibration.

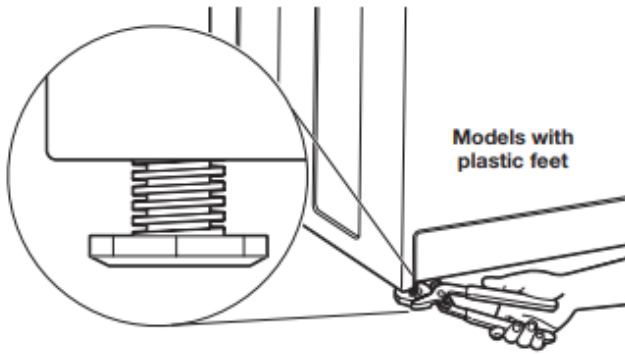
13. Check levelness of washer



Move the washer to its final location. Place a level on top edges of washer. Use side seam as a guide to check levelness of sides. Check levelness of front using lid, as shown. Rock washer back and forth to make sure all four feet make solid contact with floor. If washer is level, skip to step 15.



14. Adjust leveling feet



If washer is not level:

Use adjustable pliers to turn the plastic leveling foot counterclockwise to lower the washer or clockwise to raise the washer.

Recheck levelness of washer and repeat as needed.

HELPFUL TIPS:

- You may need to adjust two different feet to level your unit. Ensure each foot remains secured to the washer's base.
- You may want to prop up front of washer about 4" (102 mm) with a wood block or similar object that will support weight of washer.

Complete Installation Checklist

- Check electrical requirements. Be sure you have correct electrical supply and recommended grounding method.
- Check that all parts are now installed. If there is an extra part, go back through steps to see what was skipped.
- Check that you have all of your tools.
- Check that shipping materials were completely removed from washer.
- Check that the washer is level.
- Check that water faucets are on.
- Check for leaks around faucets and inlet hoses.
- Remove protective film from console and any tape remaining on washer.
- Check that washer is plugged into a grounded 3-prong outlet.
- Dispose of/recycle all packaging materials.
- Read the "Washer Maintenance and Care" section.
- To test and clean your washer, measure 1/2 of normal recommended amount of powdered or liquid HE detergent and pour it into washer basket or detergent dispenser (on some models). Close lid. Select any cycle. Start washer and allow to complete full cycle.

⚠ WARNING



Electrical Shock Hazard

Plug into a grounded 3 prong outlet.

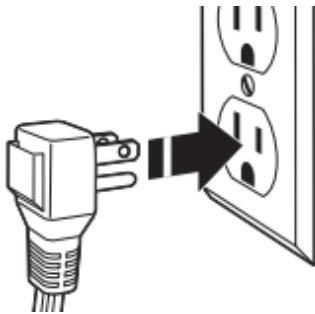
Do not remove ground prong.

Do not use an adapter.

Do not use an extension cord.

Failure to follow these instructions can result in death, fire, or electrical shock.

15. Plug into a grounded 3-prong outlet



SÉCURITÉ DE LA LAVEUSE

Votre sécurité et celle des autres est très importante.

Nous donnons de nombreux messages de sécurité importants dans ce manuel et sur votre appareil ménager. Assurez-vous de toujours lire tous les messages de sécurité et de vous y conformer.



Voici le symbole d'alerte de sécurité.

Ce symbole d'alerte de sécurité vous signale les dangers potentiels de décès et de blessures graves à vous et à d'autres.

Tous les messages de sécurité suivront le symbole d'alerte de sécurité et le mot "DANGER" ou "AVERTISSEMENT". Ces mots signifient :

▲ DANGER

Risque possible de décès ou de blessure grave si vous ne suivez pas immédiatement les instructions.

▲ AVERTISSEMENT

Risque possible de décès ou de blessure grave si vous ne suivez pas les instructions.

Tous les messages de sécurité vous diront quel est le danger potentiel et vous disent comment réduire le risque de blessure et ce qui peut se produire en cas de non-respect des instructions.

IMPORTANTES INSTRUCTIONS DE SÉCURITÉ

AVERTISSEMENT : Afin de réduire le risque d'incendie, de décharge électrique ou de blessures corporelles lors de l'utilisation de cet appareil, observer certaines précautions fondamentales, notamment :

- Lire toutes les instructions avant d'utiliser l'appareil.
- Ne pas laver d'articles qui ont été précédemment nettoyés, lavés, trempés ou tachés avec de l'essence, des solvants pour nettoyage à sec ou d'autres substances inflammables ou explosives; ces substances dégagent des vapeurs qui pourraient s'enflammer ou exploser.
- Ne pas ajouter d'essence, de solvants pour nettoyage à sec ou d'autres substances inflammables ou explosives à l'eau de lavage. Ces substances dégagent des vapeurs qui pourraient s'enflammer ou exploser.
- Dans certaines conditions, un système d'eau chaude qui n'a pas été utilisé depuis 2 semaines ou plus peut produire de l'hydrogène. L'HYDROGÈNE EST UN GAZ EXPLOSIF. Si le système d'eau chaude est resté inutilisé pendant une telle période, ouvrir tous les robinets d'eau chaude et laisser l'eau s'y écouler pendant plusieurs minutes avant d'utiliser la laveuse. Ceci libérera toute accumulation d'hydrogène. Le gaz est inflammable : ne pas fumer ou utiliser une flamme nue durant cette période.
- Ne pas laisser des enfants jouer sur la laveuse ou à l'intérieur de celui-ci. Une surveillance étroite des enfants est nécessaire lorsque la laveuse est utilisée à proximité d'enfants.
- Retirer la porte de l'appareil avant de le retirer du service ou de le mettre au rebut.
- Ne pas accéder à l'intérieur de l'appareil si la cuve ou l'agitateur sont en mouvement.
- Ne pas installer ou entreposer l'appareil dans un endroit où elle serait exposée aux intempéries.
- Ne pas effectuer d'intervention non autorisée sur les commandes.
- Ne pas réparer ou remplacer une quelconque pièce de l'appareil ou effectuer un entretien qui ne serait pas expressément recommandé dans les instructions d'entretien de l'utilisateur ou dans les instructions de réparation par l'utilisateur et s'assurer de bien comprendre ces instructions et d'être capable de les exécuter.
- Ne pas utiliser de pièces de remplacement qui n'ont pas été recommandées par le fabricant (c.-à-d., pièces fabriquées à la maison à l'aide d'une imprimante 3D).
- Voir les instructions d'installation pour les exigences de mise à la terre et d'installation.

CONSERVER CES INSTRUCTIONS

AVERTISSEMENT

Certaines pièces internes sont intentionnellement non reliées à la terre et peuvent présenter un risque de décharge électrique uniquement lors d'une intervention de dépannage.

Personnel d'entretien – Ne pas toucher le support de thermostat lorsque l'appareil est sous tension.

CHOIX DU DÉTERGENT APPROPRIÉ

Utiliser uniquement des détergents haute efficacité. L'emballage portera la mention « HE » ou « High Efficiency » (haute efficacité). Un lavage avec faible consommation d'eau produit un excès de mousse avec un détergent non HE. Il est probable que l'utilisation d'un détergent autre que HE prolonge la durée des programmes et réduise la performance de rinçage. Ceci peut aussi entraîner un mauvais fonctionnement des composants et, avec le temps, une accumulation de moisissure. Les détergents HE devraient produire peu de mousse et se dissoudre rapidement et créer une quantité de mousse idéale pour une performance optimale. Ils devraient retenir les particules de saleté en suspension afin qu'elles ne se déposent pas de nouveau sur les vêtements propres. Les détergents identifiés HE ne sont pas tous identiques et ne produisent pas tous la même quantité de mousse. Par exemple, les détergents HE, naturels, organiques et faits maison peuvent produire une plus grande quantité de mousse. Toujours suivre les recommandations du fabricant de détergent pour déterminer la quantité de détergent à utiliser. Ne pas remplir au-delà de la ligne MAX sur le distributeur. Voir le guide de démarrage rapide pour plus de renseignements.

ENTRETIEN ET RÉPARATION DE LA LAVEUSE

Tuyaux d'arrivée d'eau

Remplacer les tuyaux d'arrivée d'eau après 5 ans d'utilisation pour réduire le risque de défaillance intempestive. Inspecter périodiquement les tuyaux; les remplacer en cas de renflement, de déformation, de coupure et d'usure ou de fuite.

Lors du remplacement de vos tuyaux d'arrivée d'eau :

- Noter la date de remplacement au marqueur indélébile sur l'étiquette.
- Vérifier que les vieilles rondelles ne sont pas coincées dans les valves d'arrivée d'eau de la laveuse.
- Utiliser de nouvelles rondelles avec les nouveaux tuyaux d'entrée pour assurer une bonne étanchéité.

REMARQUE: Cette laveuse peut ne pas être accompagnée de tuyaux d'arrivée. Consulter les instructions d'installation pour obtenir plus de détails.

Entretien de la laveuse

Recommandations pour une laveuse propre et pour un niveau de performance optimal

1. Utiliser toujours un détergent HE (haute efficacité) et employer la quantité de détergent recommandée par le fabricant du détergent HE. Ne jamais utiliser plus que la quantité recommandée de détergent, car ceci peut augmenter le taux d'accumulation de résidus de détergent et de saletés à l'intérieur de la laveuse, ce qui pourrait entraîner la formation d'odeurs indésirables.
2. Exécuter périodiquement des lavages avec de l'eau tiède ou chaude (et non pas exclusivement des lavages à l'eau froide), car l'eau tiède ou chaude permet de contrôler plus efficacement la vitesse à laquelle les saletés et les résidus de détergent s'accumulent.
3. Veiller à toujours laisser le couvercle de la laveuse ouvert entre deux utilisations pour qu'elle puisse sécher, et pour éviter l'accumulation de résidus générateurs d'odeurs.

Nettoyage de la laveuse à chargement par le dessus

Lire complètement ces instructions avant d'entreprendre les opérations de nettoyage de routine recommandées ci-dessous. Le processus d'entretien de la laveuse doit être exécuté au moins une fois par mois ou à intervalles de 30 lavages (selon la période la plus courte des deux); ceci permettra de contrôler la vitesse à laquelle les résidus de détergent et les saletés s'accumulent dans la laveuse.

Nettoyage de l'intérieur de la laveuse

Pour que l'intérieur de la laveuse reste libre de toute odeur, suivre les instructions d'utilisation indiquées ci-dessus et effectuer la procédure de nettoyage mensuelle recommandée suivante :

Programme recommandé pour le nettoyage de la laveuse

Certains modèles sont équipés d'un programme « Clean Washer » (nettoyage de la laveuse) qui utilise un plus grand volume d'eau en combinaison avec le nettoyant affresh® Nettoyant pour laveuse ou agent de blanchiment liquide au chlore pour nettoyer soigneusement l'intérieur de la laveuse.

Si votre modèle ne possède pas le programme de nettoyage de la laveuse, consulter le guide de programmes en ligne pour connaître le programme optimal pour nettoyer l'intérieur de la laveuse. Utiliser ce programme avec le nettoyant affresh® Utiliser un nettoyant pour laveuse ou de l'agent de blanchiment liquide au chlore, comme décrit ci-dessous.

Description du nettoyage de la laveuse avec affresh® Fonctionnement du programme :

1. Ce programme remplit la laveuse à un niveau supérieur à celui des programmes de lavage ordinaires afin que le niveau de l'eau de rinçage soit supérieur à celui d'un programme de lavage ordinaire.
2. Ce programme comporte une agitation et un essorage pour améliorer l'élimination des saletés.

Une fois ce programme terminé, laisser le couvercle ouvert pour permettre une meilleure ventilation et pour que l'intérieur de la laveuse puisse sécher.

Début de la procédure

1. **affresh® Procédure de nettoyage avec le programme de nettoyage de la laveuse (recommandée pour une performance optimale) :**
 - a. Ouvrir la porte de la laveuse et retirer tout vêtement ou article.
 - b. Placer une tablette de nettoyant pour laveuse affresh® dans le fond du panier de la laveuse.
 - c. Ne pas mettre de tablette de nettoyant pour laveuse affresh® dans le distributeur de détergent.
 - d. Ne pas ajouter de détergent ou autre composé chimique dans la laveuse lors de l'exécution de cette procédure.
 - e. Rabattre le couvercle de la laveuse.
 - f. Sélectionner le programme recommandé pour nettoyer l'intérieur de la laveuse.
 - g. Appuyer sur le bouton Start (mise en marche/reprise) pour démarrer le programme.

REMARQUE: Pour obtenir des résultats optimaux, ne pas arrêter un programme. Si un programme doit être interrompu, appuyer sur le bouton Power/Cancel (alimentation/annulation). (Pour les modèles qui n'ont pas ce bouton, maintenir enfoncé le bouton Start/Pause [mise en marche/pause] pendant 3 secondes.) Une fois le programme arrêté, lancer un programme de rinçage et d'essorage pour évacuer le nettoyant de la laveuse.

2. Méthode avec agent de blanchiment au chlore (autre option) :

- Ouvrir la porte de la laveuse et retirer tout vêtement ou article.
- Verser 1 tasse (236 mL) d'agent de blanchiment liquide au chlore dans le distributeur d'agent de blanchiment.

REMARQUE: L'emploi d'une quantité d'eau de Javel supérieure à ce qui est recommandé ci-dessus pourrait endommager la laveuse avec le temps.

- Rabattre le couvercle de la laveuse.
- Ne pas ajouter de détergent ou autre composé chimique dans la laveuse lors de l'exécution de cette procédure.
- Sélectionner le programme recommandé pour nettoyer l'intérieur de la laveuse.
- Appuyer sur le bouton Start (mise en marche/reprise) pour démarrer le programme.

REMARQUE: Pour obtenir des résultats optimaux, ne pas arrêter un programme. Si un programme doit être interrompu, appuyer sur le bouton Power/Cancel (alimentation/annulation). (Pour les modèles qui n'ont pas ce bouton, maintenir enfoncé le bouton Start/Pause [mise en marche/pause] pendant 3 secondes.) Une fois le programme arrêté, lancer un programme de rinçage et d'essorage pour évacuer le nettoyant de la laveuse.

Nettoyage des distributeurs

Après avoir utilisé la laveuse pendant longtemps, on peut parfois constater une accumulation de résidus dans les distributeurs de la laveuse.

IMPORTANT: Les distributeurs ne sont pas lavables au lave-vaisselle.

Pour les distributeurs fixes :

Pour éliminer les résidus des distributeurs, les essuyer avec une lingette de nettoyage de machine affresh® ou un chiffon humide et sécher avec une serviette. Ne pas tenter de retirer les distributeurs ou la garniture pour le nettoyage. Les distributeurs et la garniture ne peuvent pas être retirés.

Pour les distributeurs amovibles :

Si votre modèle est muni d'un tiroir de distribution, appuyer sur les onglets pour retirer le tiroir et le nettoyer avec une lingette de nettoyage de machine affresh® ou un chiffon humide et sécher avec une serviette avant ou après avoir effectué un programme de nettoyage de la laveuse. Si nécessaire, utiliser un nettoyant tout usage.

Nettoyage de l'extérieur de la laveuse

IMPORTANT: Afin d'éviter d'endommager le revêtement de la laveuse, ne pas utiliser de produits abrasifs.

Utiliser une lingette affresh® pour nettoyer la machine, une éponge ou un chiffon doux et humide pour essuyer tout renversement. Utiliser une lingette. Utiliser uniquement une lingette de nettoyage ou des savons et nettoyants doux pour nettoyer la surface externe de la laveuse.

Non utilisation et entretien avant les vacances

Faire fonctionner la laveuse seulement lorsqu'on est présent. Lors d'un déménagement ou lorsque la laveuse n'est pas utilisée pendant longtemps, suivre les étapes suivantes :

- Débrancher la laveuse ou déconnecter la source de courant électrique.
- Fermer l'alimentation en eau à la laveuse pour éviter toute inondation due à une surpression.

Entretien pour entreposage hivernal

IMPORTANT: Pour éviter tout dommage, installer et remettre la laveuse à l'abri du gel. L'eau qui peut rester dans les tuyaux risque d'abîmer la laveuse en temps de gel. Si la laveuse doit faire l'objet d'un déménagement ou d'entreposage au cours d'une période de gel, hivériser la laveuse.

Hivérisation de la laveuse :

- Fermer les deux robinets d'eau; déconnecter et vidanger les tuyaux d'arrivée d'eau.
- Placer 1 pte (1 L) d'antigel pour véhicule récréatif dans le panier et faire fonctionner la laveuse sur un programme Rinse & Spin (rinçage et essorage) pendant environ 30 secondes pour mélanger l'antigel et l'eau restante.
- Débrancher la laveuse ou déconnecter la source de courant électrique.

Transport de la laveuse

- Fermer les deux robinets d'eau. Débrancher et vidanger les tuyaux d'arrivée d'eau.
- Pour déplacer la laveuse pendant une période de gel, suivre les instructions de la section « Entretien pour entreposage hivernal » avant de le déplacer.
- Déconnecter le tuyau d'évacuation du système de vidange et vider l'eau qui reste dans un bac ou un seau. Déconnecter le tuyau d'évacuation de l'arrière de la laveuse.
- Débrancher le cordon d'alimentation.
- Placer les tuyaux d'arrivée d'eau et le tuyau d'évacuation dans le panier de la laveuse.
- Faire passer le cordon d'alimentation par dessus le bord et le mettre dans le panier de la laveuse.
- Replacer le matériel d'emballage d'origine de l'appareil à l'intérieur de la laveuse. Si vous n'avez plus l'emballage d'expédition, placer des couvertures lourdes ou des serviettes dans l'ouverture du panier. Fermer le couvercle et placer du ruban adhésif sur le couvercle et jusqu'à la partie inférieure avant de la laveuse. Laisser le couvercle fermé par l'adhésif jusqu'à ce que la laveuse soit installée à son nouvel emplacement. Déplacer la laveuse en position verticale.

Réinstallation/réutilisation de la laveuse

⚠ AVERTISSEMENT



Risque de choc électrique

Brancher sur une prise à 3 alvéoles reliée à la terre.

Ne pas enlever la broche de liaison à la terre.

Ne pas utiliser un adaptateur.

Ne pas utiliser un câble de rallonge.

Le non-respect de ces instructions peut causer un décès, un incendie ou un choc électrique.

Pour réinstaller la laveuse après une période de non-utilisation, de vacances, de remisage pour l'hiver ou après un déménagement :

1. Consulter les instructions d'installation pour choisir l'emplacement, régler l'aplomb de la laveuse et la raccorder.
2. Avant de réutiliser la laveuse, exécuter la procédure recommandée suivante :

Remise en marche de la laveuse :

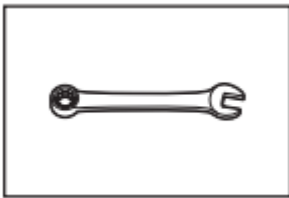
1. Vidanger les canalisations d'eau et les tuyaux.
2. Reconnecter les tuyaux d'arrivée d'eau.
3. Ouvrir les deux robinets d'eau.
4. Brancher sur une prise à 3 alvéoles reliée à la terre ou reconnecter la source de courant électrique.
5. Consulter votre guide de programmes en ligne pour obtenir des informations pour savoir quels programmes utiliser pour nettoyer votre laveuse et éliminer l'antigel, si utilisé. Utiliser uniquement du détergent HE Haute efficacité. Utiliser la moitié de la quantité recommandée par le fabricant pour une charge de taille moyenne.

INSTRUCTIONS D'INSTALLATION SPÉCIFICATIONS

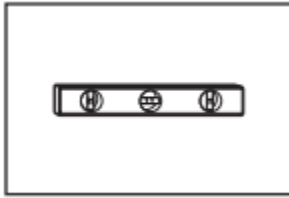
Outillage et pièces

Rassembler les outils et pièces nécessaires avant de commencer l'installation.

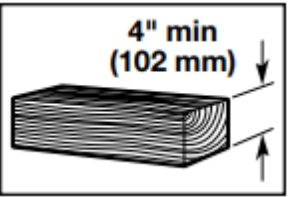
Outils requis :



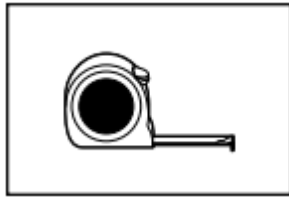
Clé plate ou clé à molette de 9/16 po (14 mm)



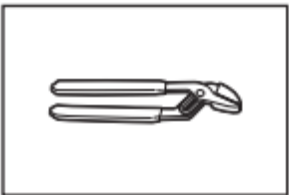
Niveau



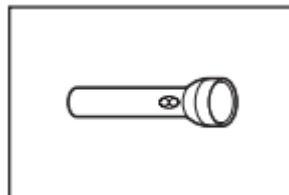
Cale de bois



Règle ou mètre ruban



Pince – ouverture jusqu'à 1 3/4 po (45 mm)



Lampe de poche



Seau

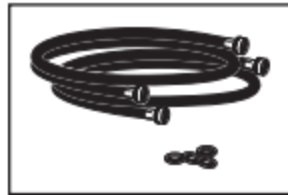
Pièces fournies :

REMARQUE: Toutes les pièces fournies pour l'installation se trouvent dans le panier de la laveuse.



Tuyau d'évacuation avec bride, forme en U et serre-câbles

Pièces nécessaires : (Si non fournies avec la laveuse)



Tuyaux d'arrivée d'eau avec rondelles plates

REMARQUE: Différentes options de tuyau d'arrivée d'eau sont offertes; consulter votre guide de démarrage rapide pour les informations de commande.

Pièces alternatives : (non fournies avec la laveuse)

Il se peut que l'installation nécessite des pièces supplémentaires. Pour commander, consulter les coordonnées indiquées dans le guide de démarrage rapide.

Si vous avez :
Égout surélevé

Il faut :
Tuyau rigide d'évacuation standard de 20 gal (76 L) de 39 po (990 mm) de haut ou évier de décharge, pompe de puisard et connecteurs (disponibles chez les vendeurs de matériel de plomberie locaux)

Tuyau de rejet à l'égout de 1 po (25 mm)

Adaptateur de 2 po (51 mm) à 1 po (25 mm) de diamètre pour le tuyau rigide de rejet à l'égout et ensemble de raccordement

Tuyau de vidange trop court

Rallonge de tuyau de vidange et ensemble de raccordement

Système d'évacuation obstrué par de la charpie

Protecteur de canalisation et ensemble de raccordement

Exigences d'emplacement

Le choix d'un emplacement approprié pour la laveuse en améliore le rendement et réduit au minimum le bruit et le "déplacement" possible de la laveuse. La laveuse peut être installée dans un sous-sol, une salle de buanderie, un placard ou un encastrement.

IMPORTANT: Ne pas installer, remiser ou faire fonctionner la laveuse à un emplacement où elle sera exposée aux intempéries ou à des températures inférieures à 32 °F (0 °C). De l'eau restée dans la laveuse après utilisation peut causer des dommages à basse température. Voir la section « Entretien et réparation de la laveuse » pour des renseignements sur la préparation de la laveuse pour l'hiver.

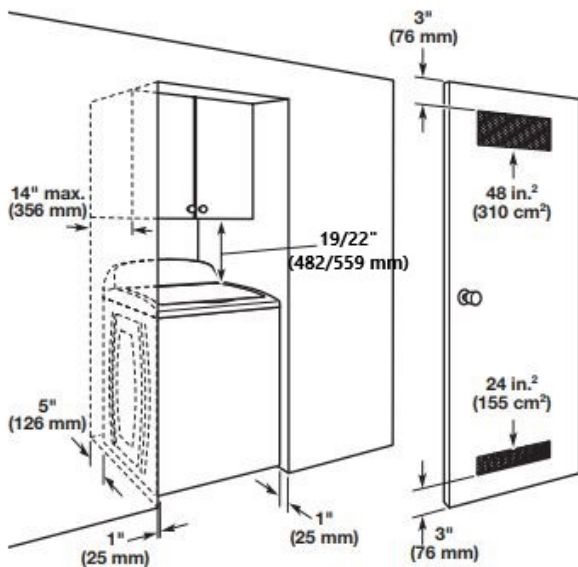
C'est à l'utilisateur qu'incombe la responsabilité de réaliser une installation correcte.

Il vous faudra :

- Un chauffe-eau réglé à 120° F (49° C).
- Une prise électrique reliée à la terre et située à moins de 4 pi (1,2 m) du cordon d'alimentation situé à l'arrière de la laveuse.

- Des robinets d'eau chaude et d'eau froide situés à moins de 3 pi (0,9 m) des électrovannes de remplissage d'eau chaude et d'eau froide situées sur la laveuse et une pression d'eau de 20-100 lb/po² (138 à 690 kPa).
- Un plancher de niveau avec une pente maximale de 1" (25 mm) sous l'ensemble de la laveuse. Il n'est pas recommandé de l'installer sur un tapis, de la moquette ou des surfaces avec endos en mousse.
- Un plancher capable de supporter le poids total de 315 lb (143 kg) de la laveuse (eau et charge comprises).

Installation dans un encastrement ou placard



REMARQUE: Toutes les laveuses de 27 po de large devraient avoir un dégagement de 19 po, alors que les laveuses de 29 po devraient avoir un dégagement de 22 po.

Toutes les dimensions représentent les dégagements recommandés permis, hormis pour les ouvertures de ventilation de la porte de l'armoire qui correspondent aux dimensions minimales nécessaires. Cette laveuse a été testée pour une installation avec dégagement de 0 po (0 mm) sur les côtés. On peut éventuellement laisser davantage de dégagement pour faciliter l'installation et l'entretien, ainsi que des distances de séparation pour les appareils ménagers voisins et des dégagements pour les murs, portes et plinthes. Ajouter un espace supplémentaire de 1 po (25 mm) de tous les côtés de la laveuse pour réduire le transfert de bruit. Si l'on installe une porte de placard ou une porte à persiennes, des ouvertures d'aération au sommet et au bas de la porte sont nécessaires.

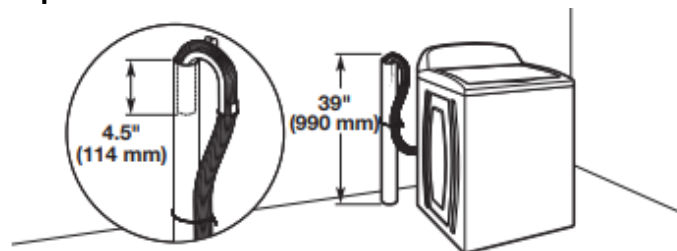
*Pour obtenir plus de détails (ou d'informations) spécifiques à votre modèle, consulter votre guide de démarrage rapide.

Système de vidange

Le système de vidange de la laveuse peut être installé à l'aide d'un conduit d'évacuation au plancher, un tuyau de rejet à l'égout au plancher ou mural ou un évier de buanderie. Sélectionner la méthode à utiliser.

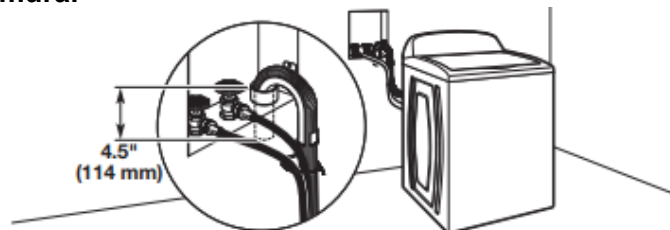
IMPORTANT: Pour éviter un effet de siphon, ne pas introduire plus de 4,5" (114 mm) de tuyau de vidange à l'intérieur du tuyau de rejet à l'égout ou sous la partie supérieure d'évier de buanderie. Immobiliser le tuyau de vidange avec un attache-câble.

Système de vidange avec tuyau de rejet à l'égout au plancher



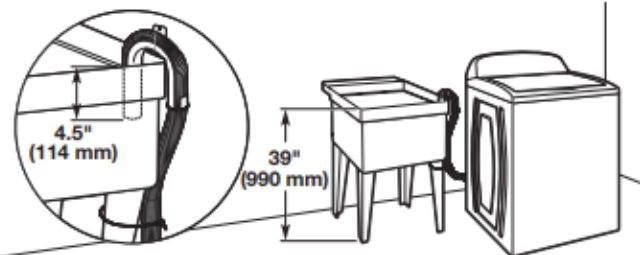
Diamètre minimal pour un tuyau de rejet à l'égout : 2" (51 mm). Capacité minimale d'acheminement : 17 gal. (64 L) par minute. Le sommet du tuyau de rejet à l'égout doit avoir une hauteur d'au moins 39" (990 mm); ne pas l'installer à plus de 96" (2,44 m) du fond de la laveuse. Si on doit l'installer à plus de 96" (2,44 m) de hauteur, un système de pompe de puisard est nécessaire.

Système de vidange avec tuyau de rejet à l'égout mural



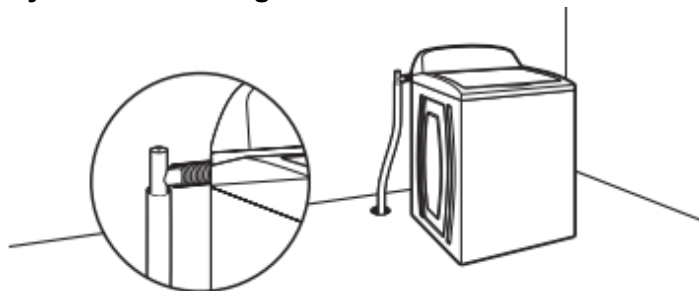
Voir les exigences dans la section « système de vidange avec tuyau de rejet à l'égout au plancher ».

Système de vidange dans un évier de buanderie



Capacité minimale : 20 gal. (76 L). Le sommet de l'évier de buanderie doit se trouver à au moins 39" (990 mm) du plancher; ne pas l'installer à plus de 96" (2,44 m) du fond de la laveuse.

Système de vidange au sol



Le système de vidange au sol requiert un ensemble de brise-siphon, deux ensembles de raccordement et une rallonge de tuyau de vidange qui peuvent être achetés séparément; consulter le guide de démarrage rapide pour les renseignements de commande en ligne. Hauteur minimale du brise-siphon : 28 po (710 mm) du bas de la laveuse (des tuyaux supplémentaires peuvent être requis).

Spécifications électriques

⚠ AVERTISSEMENT



Risque de choc électrique

Brancher sur une prise à 3 alvéoles reliée à la terre.

Ne pas enlever la broche de liaison à la terre.

Ne pas utiliser un adaptateur.

Ne pas utiliser un câble de rallonge.

Le non-respect de ces instructions peut causer un décès, un incendie ou un choc électrique.

- Une source d'alimentation de 120 V CA à 60 Hz uniquement et protégée par fusible de 15 ou 20 A est nécessaire. On recommande l'emploi d'un fusible ou d'un disjoncteur temporisé. Il est recommandé de raccorder l'appareil sur un circuit distinct exclusif à cet appareil.
- Cette laveuse comporte un cordon d'alimentation électrique à trois broches pour liaison à la terre.
- Pour minimiser les risques de choc électrique, on doit brancher le cordon sur une prise de courant de configuration correspondante, à 3 alvéoles, reliée à la terre et installée conformément aux codes et règlements locaux. Si une prise de courant de configuration correspondante n'est pas disponible, le client a la responsabilité et l'obligation de faire installer par un électricien qualifié une prise de courant correctement reliée à la terre.
- Si les codes le permettent et si l'on utilise un conducteur distinct de liaison à la terre, il est recommandé qu'un électricien qualifié vérifie la qualité de la liaison à la terre.
- Ne pas utiliser une tuyauterie de gaz pour le raccordement à la terre.
- En cas de doute quant à la qualité de la liaison à la terre de la laveuse, consulter un électricien qualifié.
- Ne pas installer un fusible dans le conducteur neutre ou le circuit de liaison à la terre.

INSTRUCTIONS DE LIAISON À LA TERRE

Appareils à cordon mis à la terre:

Cet appareil doit être mis à la terre. En cas de mauvais fonctionnement ou de bris de l'appareil, la mise à la terre réduira les risques de choc électrique en offrant un parcours de moindre résistance au courant électrique. Cet appareil est pourvu d'un cordon à conducteur de terre et d'une fiche de mise à la terre. Brancher la fiche dans une prise installée adéquatement et mise à terre conformément à tous les codes et règlements locaux.

AVERTISSEMENT: Une mauvaise connexion du conducteur de terre peut présenter des risques de choc électrique. Consulter un électricien ou un technicien qualifiés si vous n'êtes pas certain que l'appareil soit mis à terre adéquatement. Ne pas modifier la fiche de l'appareil: Si elle ne pénètre pas bien dans la prise, faire installer une prise adéquate par un électricien qualifié.

Appareils raccordés à demeure:

Cet appareil doit être relié à une canalisation électrique métallique fixe ou la dérivation doit comporter un conducteur de terre connecté à la borne ou au fil de terre de l'appareil.

CONSERVER CES INSTRUCTIONS

INSTALLATION

Déballage

⚠ AVERTISSEMENT

Risque du poids excessif

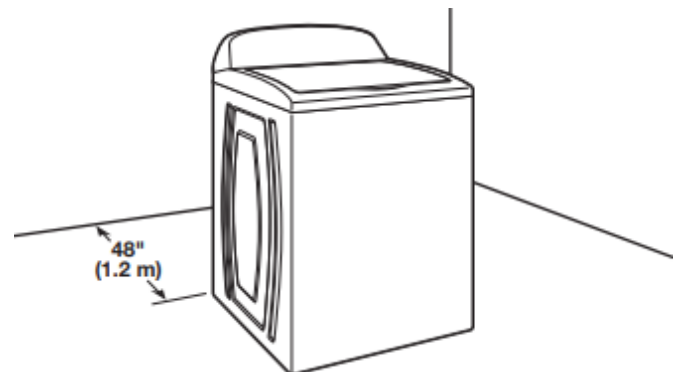
Utiliser deux personnes ou plus pour déplacer et installer ou désinstaller l'appareil.

Le non-respect de cette instruction peut causer une blessure au dos ou d'autre blessure.

Avant de commencer : retirer le matériel d'expédition

Il est nécessaire de retirer tout le matériel d'expédition pour un fonctionnement correct et pour éviter que la laveuse ne fasse trop de bruit.

1. Déplacer la laveuse

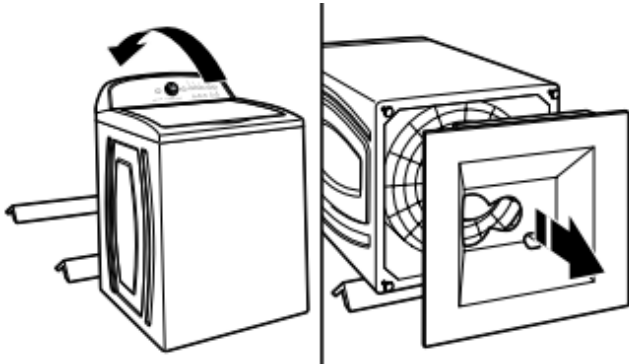


Déplacer la laveuse à moins de 4 pi (1,2 m) de son emplacement final, elle doit être en position complètement verticale.

REMARQUE : Pour éviter d'endommager le plancher, installer la laveuse sur un carton avant de la déplacer. Assurer que le couvercle est retenu en place avec le ruban adhésif.

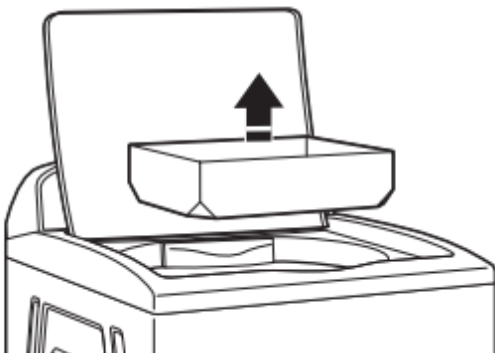
2. Enlever la base d'expédition

IMPORTANT : Le retrait de la base d'expédition en polystyrène est nécessaire au bon fonctionnement de l'appareil. Si la laveuse comprend une plaque d'insonorisation, consulter les instructions fournies avec la plaque d'insonorisation pour l'installer maintenant.



Afin d'éviter d'endommager le plancher, placer les supports en carton du carton d'expédition sur le plancher, derrière la laveuse. Incliner la laveuse vers l'arrière et la placer sur les supports en carton. Retirer la base d'expédition (certains modèles demandent que la base d'expédition soit tournée de 90° vers la droite avant d'être enlevée). Redresser la laveuse en position verticale.

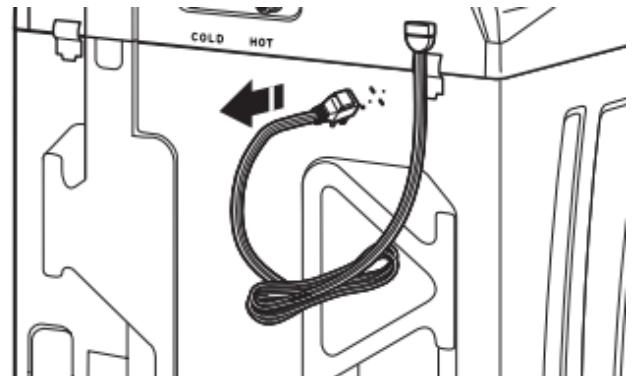
3. Retirer les matériaux d'emballage de l'intérieur de la laveuse



Retirer le ruban adhésif du couvercle de la laveuse, ouvrir le couvercle et retirer les matériaux d'emballage de la cuve de la laveuse. Vérifier que toutes les pièces ont été enlevées de l'intérieur de la laveuse.

REMARQUE : Conserver les matériaux d'emballage de l'intérieur de la laveuse au cas où il faudrait déplacer la laveuse ultérieurement.

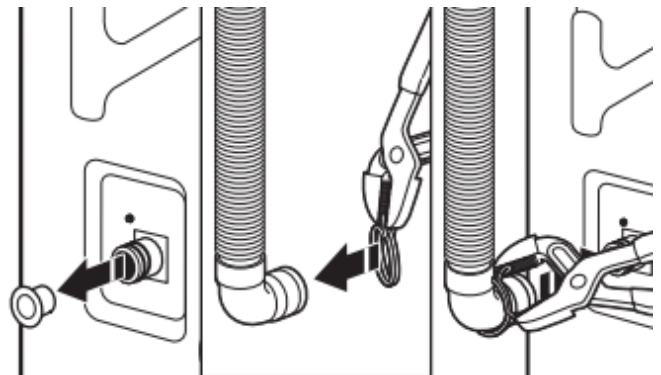
4. Libérer le cordon d'alimentation



Saisir fermement le cordon d'alimentation et le tirer pour le libérer du panneau arrière. Placer délicatement le cordon d'alimentation par dessus la console pour permettre le libre accès à l'arrière de la laveuse.

Raccordement du tuyau de vidange

5. Fixation du tuyau de vidange à l'orifice de vidange



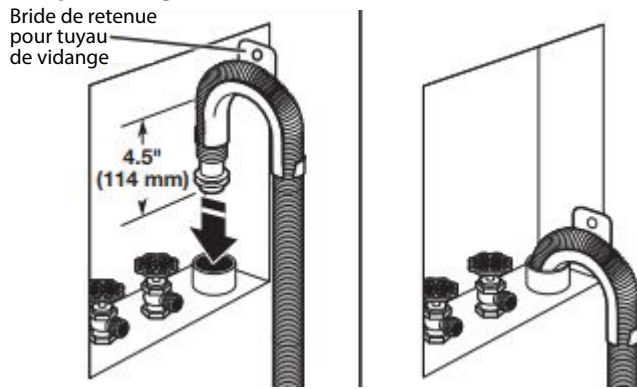
Le cas échéant, retirer le bouchon en plastique rouge de l'orifice de vidange noir situé à l'arrière de la laveuse.

Si la bride n'est pas déjà installée sur l'extrémité coudée du tuyau de vidange, la faire glisser sur l'extrémité tel qu'indiqué.

Pour un évier de buanderie ou un tuyau de rejet à l'égout rigide, passer à l'étape 6.

Pour une vidange au plancher, retirer la bride de retenue pour tuyau de vidange préinstallée tel qu'indiqué à l'étape 7. Des pièces supplémentaires avec des instructions distinctes s'avèreront peut-être nécessaires. Voir la section « Pièces supplémentaires ».

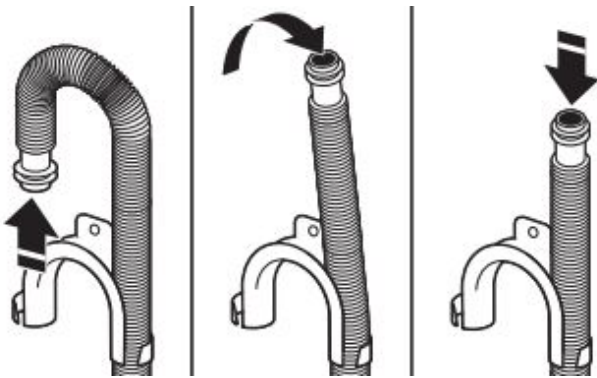
6. Placer le tuyau de vidange dans le tuyau de rejet à l'égout



IMPORTANT: 4,5" (114 mm) du tuyau de vidange doit être à l'intérieur du tuyau de rejet à l'égout; ne pas forcer l'excédent de tuyau dans le tuyau de rejet à l'égout ni le placer dans l'évier de buanderie. On doit utiliser la bride de retenue pour tuyau de vidange.

Placer le tuyau dans le tuyau de rejet à l'égout (illustré sur l'image) ou par-dessus le côté de l'évier de buanderie.

7. Enlever la bride de retenue pour tuyau de vidange (installations avec vidange au plancher seulement)



Pour les installations avec vidange au plancher, il faut retirer la bride de retenue pour tuyau de vidange de l'extrémité du tuyau de vidange. Des pièces supplémentaires avec des directives distinctes seront peut-être nécessaires. Voir la section « Outils et pièces ».

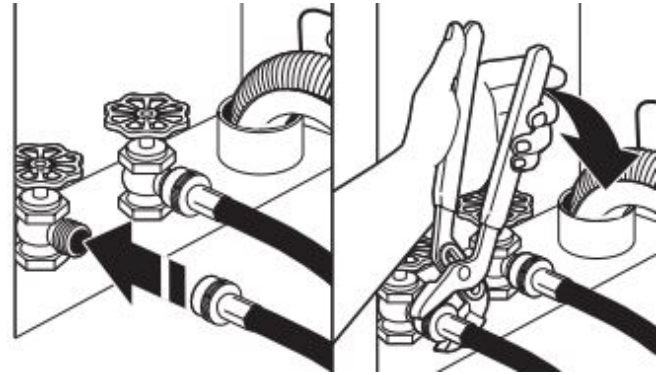
Il incombe à l'installateur d'installer et de fixer solidement le tuyau de vidange à la canalisation d'évacuation de manière que le tuyau de vidange ne puisse sortir et causer d'éventuelles fuites de la canalisation d'évacuation.

Raccordement des tuyaux d'alimentation

La laveuse doit être raccordée aux robinets à l'aide de tuyaux d'arrivée d'eau neufs dotés de rondelles plates (non compris). Ne pas utiliser de tuyaux usagés.

REMARQUE: Les deux tuyaux doivent être fixés et l'eau doit pénétrer dans les robinets d'arrivée d'eau. Si l'on effectue un raccordement uniquement à un robinet d'eau froide, on doit utiliser un adaptateur en Y (non fourni).

8. Connecter les tuyaux d'arrivée d'eau aux robinets



IMPORTANT: Ne pas trop serrer le tuyau, utiliser du ruban ou appliquer du calfeutrant sur le robinet. Cela pourrait endommager le robinet.

Fixer le tuyau au robinet d'eau chaude. Visser le raccord à la main pour qu'il repose sur la rondelle. Serrer les raccords de deux tiers de tour supplémentaires à l'aide d'une pince. Répéter cette étape avec le deuxième tuyau pour le robinet d'eau froide.

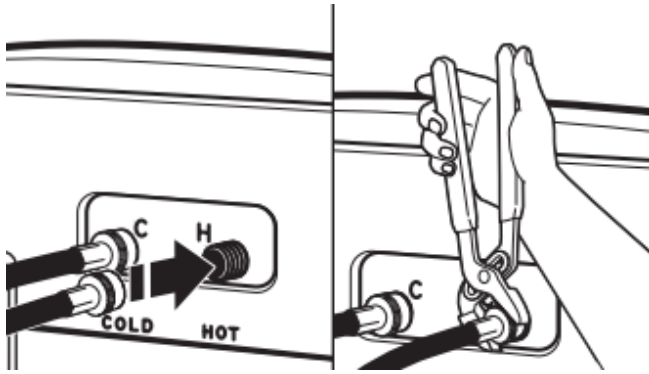
9. Purger les canalisations d'eau



Faire couler l'eau par les tuyaux dans l'évier de buanderie, le tuyau de rejet à l'égout ou le seau pendant quelques secondes pour éviter toute obstruction. On doit laisser couler l'eau jusqu'à ce qu'elle soit limpide.

Repérer quel tuyau est raccordé à l'eau chaude pour permettre une fixation correcte des tuyaux à la laveuse.

10. Connecter les tuyaux d'arrivée d'eau à la laveuse

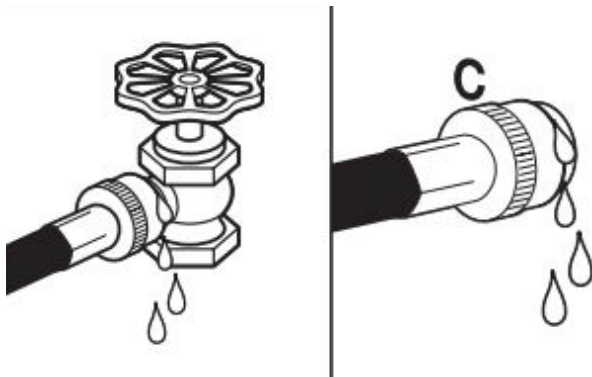


IMPORTANT: Pour réduire les risques de défaillance d'un tuyau, remplacer les tuyaux tous les 5 ans. Prendre en note les dates d'installation ou de remplacement des tuyaux pour référence future.

- Ne pas serrer excessivement le tuyau, utiliser du ruban adhésif ou un calfeutrant sur le robinet. Les robinets risquent d'être endommagés.
- Inspecter périodiquement les tuyaux et les remplacer en cas de renflement, de déformation, de coupure, d'usure ou de fuite.

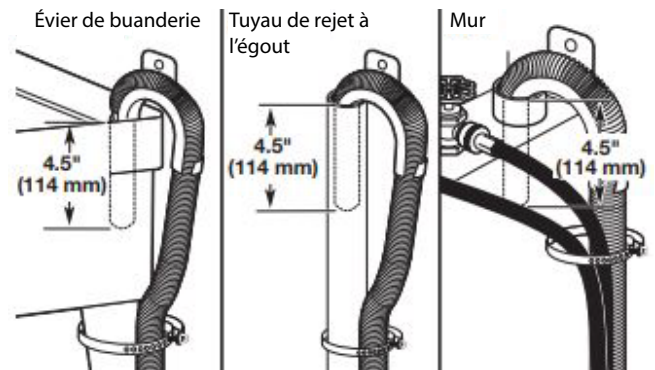
Fixer le tuyau d'eau chaude au robinet d'arrivée d'eau chaude rouge. Visser le raccord à la main jusqu'à ce qu'il soit bien serré. Serrer les raccords de deux tiers de tour supplémentaires à l'aide d'une pince. Répéter pour le robinet d'eau froide.

11. Rechercher les fuites éventuelles



Ouvrir les robinets d'eau pour vérifier qu'il n'y a pas de fuite. Une petite quantité d'eau peut entrer dans la laveuse Elle s'évacuera plus tard.

12. Immobiliser le tuyau de vidange



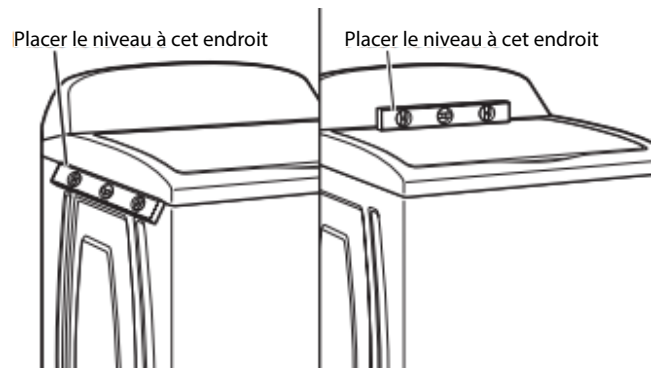
Fixer le tuyau de vidange au pied de l'évier de buanderie, au tuyau de rejet à l'égout ou aux tuyaux d'arrivée d'eau pour le tuyau de rejet à l'égout mural avec l'attache-câble.

Il incombe à l'installateur d'installer et fixer solidement le tuyau de vidange à la canalisation d'évacuation de manière que le tuyau de vidange ne puisse sortir et causer d'éventuelles fuites de la canalisation d'évacuation.

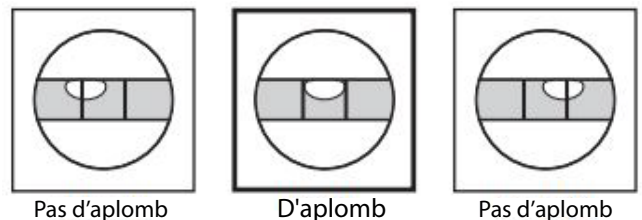
Établissement de l'aplomb de la laveuse

REMARQUE : L'établissement correct de l'aplomb de la laveuse permet de réduire les nuisances sonores et de limiter les vibrations.

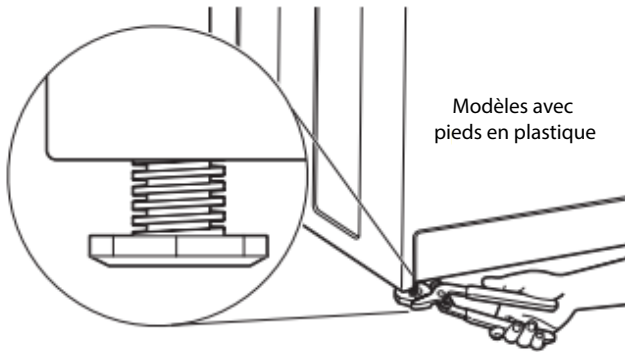
13. Vérifier le bon aplomb de la laveuse



Mettre la laveuse est à son emplacement final. Placer un niveau sur les bords supérieurs de la laveuse. Utiliser une rive latérale comme guide pour déterminer l'aplomb des côtés. Vérifier l'aplomb de l'avant à l'aide du couvercle, tel qu'indiqué. Faire bouger la laveuse d'avant en arrière pour s'assurer que les quatre pieds sont bien en contact avec le plancher. Si la laveuse est d'aplomb, passer à l'étape 15.



14. Ajuster les pieds de nivellement



Si la laveuse n'est pas d'aplomb :

Utiliser des pinces réglables pour tourner le pied de nivellement en plastique dans le sens antihoraire pour abaisser la laveuse ou dans le sens horaire pour la soulever.

Contrôler à nouveau l'aplomb de la laveuse et répéter au besoin.

CONSEILS UTILES :

- Il pourrait être nécessaire de régler deux différents pieds pour mettre l'unité au niveau. S'assurer que le pied reste bien fixé à la base de la laveuse.
- Il serait judicieux de soulever l'avant de la laveuse d'environ 4" (102 mm) à l'aide d'une cale en bois ou d'un objet similaire qui soutiendra le poids de la laveuse

⚠ AVERTISSEMENT



Risque de choc électrique

Brancher sur une prise à 3 alvéoles reliée à la terre.

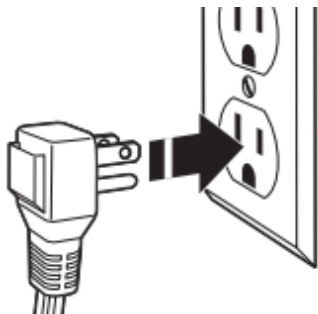
Ne pas enlever la broche de liaison à la terre.

Ne pas utiliser un adaptateur.

Ne pas utiliser un câble de rallonge.

Le non-respect de ces instructions peut causer un décès, un incendie ou un choc électrique.

15. Brancher sur une prise à 3 alvéoles reliée à la terre



Liste de vérification pour l'achèvement de l'installation

- Consulter les spécifications électriques. S'assurer de disposer d'une source d'électricité appropriée, et d'une liaison à la terre conforme à la méthode recommandée.
- Vérifier que toutes les pièces sont maintenant installées. S'il reste une pièce, passer en revue les différentes étapes pour découvrir laquelle aurait été oubliée.
- Vérifier la présence de tous les outils.
- Vérifier que tout le matériel d'expédition a été retiré de la laveuse.
- Vérifier que la laveuse est de niveau.
- Vérifier que les robinets d'eau sont ouverts.
- Vérifier qu'il n'y a pas de fuite autour des robinets et des tuyaux d'arrivée d'eau.
- Ôter la pellicule protectrice de la console et tout ruban adhésif resté sur la laveuse.
- Vérifier que la laveuse est branchée sur une prise de courant à 3 alvéoles reliée à la terre.
- Éliminer/recycler tous les matériaux d'emballage.
- Lire la section « Entretien et réparation de la laveuse ».
- Pour tester et nettoyer la laveuse, mesurer la moitié de la quantité normale recommandée de détergent en poudre ou liquide et la verser dans le panier de la laveuse ou le distributeur de détergent (sur certains modèles). Fermer le couvercle. Sélectionner n'importe quel programme. Mettre la laveuse en marche et la laisser exécuter un programme complet.