

5 SERIES FIXED



SLATE - PURE - MAESTRO

SUGGESTED SPECIFICATIONS: [] projection screen(s), [] (H) x [] (W). Fixed Frame is a 3-1/2-inch wide by 2-inch deep, mitered, microfiber wrapped aluminum screen frame. When mounted, screen surface is 3/4-inch from wall. Depending on material, mounting options are either EZ-Snap™ or bungee. Fixed frame screens are available in sizes to 101 inches high by 240 inches wide and are shipped disassembled. Screen Innovations Fixed Frame screens are wall mountable using Steel mounting plates.

Theater HDTV (16:9) Format Dimensions

Viewing Area H x W (C x B)		Standard Diagonal (A)		Overall Dimensions H x W (E x D)		Approx. Ship. Wt.	
in.	cm.	in.	cm.	in.	cm.	Lbs.	Kg
39" X 70"	100 X 177	80"	203	47" X 77"	118" X 196	35	16
45" X 80"	115 X 204	92"	234	52" X 87"	133" X 222	40	18
49" X 87"	124 X 221	100"	254	56" X 94"	143" X 240	44	20
52" X 92"	132 X 235	106"	269	59" X 100"	150" X 253	46	21
54" X 96"	137 X 244	110"	279	61" X 103"	155" X 262	48	22
59" X 105"	149 X 266	120"	305	66" X 112"	168" X 284	52	24
65" X 116"	166 X 294	133"	338	72" X 123"	184" X 313	58	26
78" X 139"	199 X 354	160"	406	86" X 147"	218" X 373	71	32
91" X 161"	230 X 410	185"	470	98" X 169"	249" X 428	84	38
101" X 179"	255 X 454	205"	521	108" X 186"	274" X 472	76	34

Wide (16:10) Format Dimensions

Viewing Area H x W (C x B)		Standard Diagonal (A)		Overall Dimensions H x W (E x D)		Approx. Ship. Wt.	
in.	cm.	in.	cm.	in.	cm.	Lbs.	Kg
42" X 68"	107 X 172	80"	203	50" X 75"	126" X 191	36	16
49" X 78"	124 X 198	92"	234	56" X 85"	142" X 217	41	19
53" X 85"	135 X 215	100"	254	60" X 92"	153" X 234	44	20
56" X 90"	143 X 228	106"	269	63" X 97"	161" X 247	47	21
58" X 93"	148 X 237	110"	279	66" X 101"	167" X 255	49	22
64" X 102"	162 X 258	120"	305	71" X 109"	180" X 277	53	24
71" X 113"	179 X 287	133"	338	78" X 120"	197" X 305	59	27
85" X 136"	215 X 345	160"	406	92" X 143"	234" X 363	72	33
98" X 157"	249 X 398	185"	470	105" X 164"	267" X 417	85	39

CinemaScope (2:35:1) Format Dimensions

Viewing Area H x W (C x B)		Standard Diagonal (A)		Overall Dimensions H x W (E x D)		Approx. Ship. Wt.	
in.	cm.	in.	cm.	in.	cm.	Lbs.	Kg
31" X 74"	80 X 187	80"	203	39" X 77"	98" X 196	34	15
36" X 85"	91 X 215	92"	234	43" X 92"	110" X 233	39	18
39" X 92"	99 X 234	100"	254	46" X 99"	118" X 252	42	19
42" X 98"	105 X 248	106"	269	49" X 105"	124" X 266	44	20
43" X 101"	109 X 257	110"	279	50" X 108"	128" X 275	46	21
47" X 110"	119 X 281	120"	305	54" X 118"	138" X 299	50	23
52" X 122"	132 X 311	133"	338	59" X 130"	151" X 329	56	25
63" X 147"	159 X 374	160"	406	70" X 155"	177" X 392	68	31
76" X 178"	192 X 451	193"	490	83" X 185"	210" X 469	83	38
90" X 212"	229 X 538	230"	584	97" X 219"	247" X 556	102	46
102" X 239"	259 X 608	260"	660	109" X 247"	277" X 626	94	43

PRODUCT NOTES

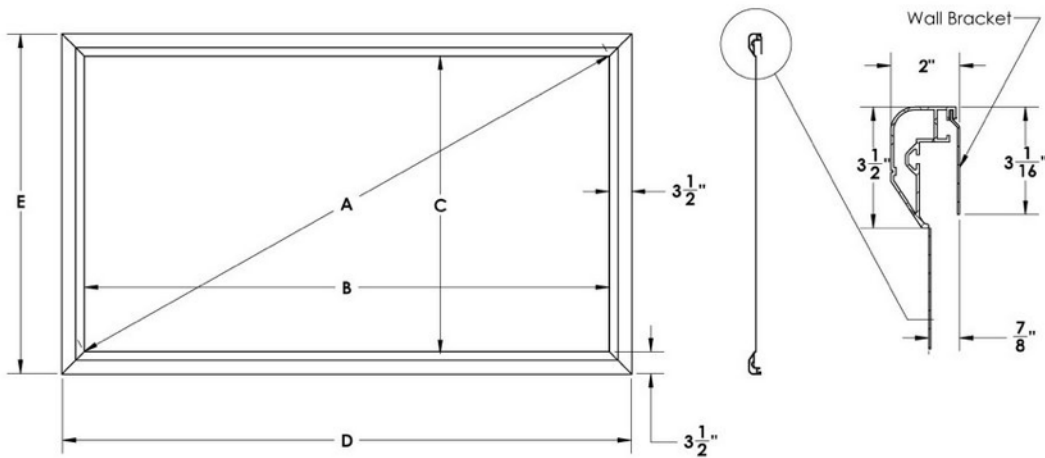
- Frame is a 3-1/2-inch wide by 2-inch deep,
- Aspect ratios Available: 16:9, 16:10, 2:35:1
- Diagonal Sizes available in 1" increments.
- EZ-Snap™ tensioning system.
- Bungee Tensioning System for Maestro material.
- For dimensions not listed, please see our online screen calculator. <http://www.screeninnovations.com/tools/screen-calculator/>

MATERIAL INFORMATION

- All surfaces will be seamless.
- Max viewing height 101"

WHEN ORDERING, MARK APPROPRIATE SELECTIONS

1. Select Size from Charts.
2. Select Screen Material
 - Slate .8 (4K)
 - Pure Gray .85 (8K)
 - Slate 1.2 (4K)
 - Maestro White (4K)
 - Pure White 1.3 (8K)
 - Maestro Gray (4K)
3. Screen options:
 - Stand
 - Curve



Project Name: _____

Architect: _____

Contractor: _____ Phone _____

Reseller: _____ Phone _____

