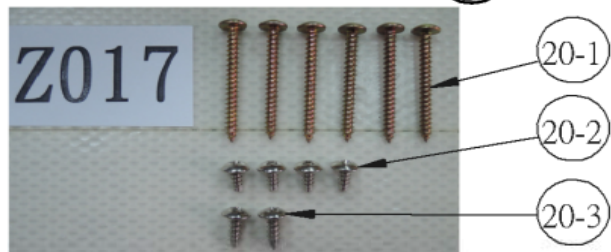
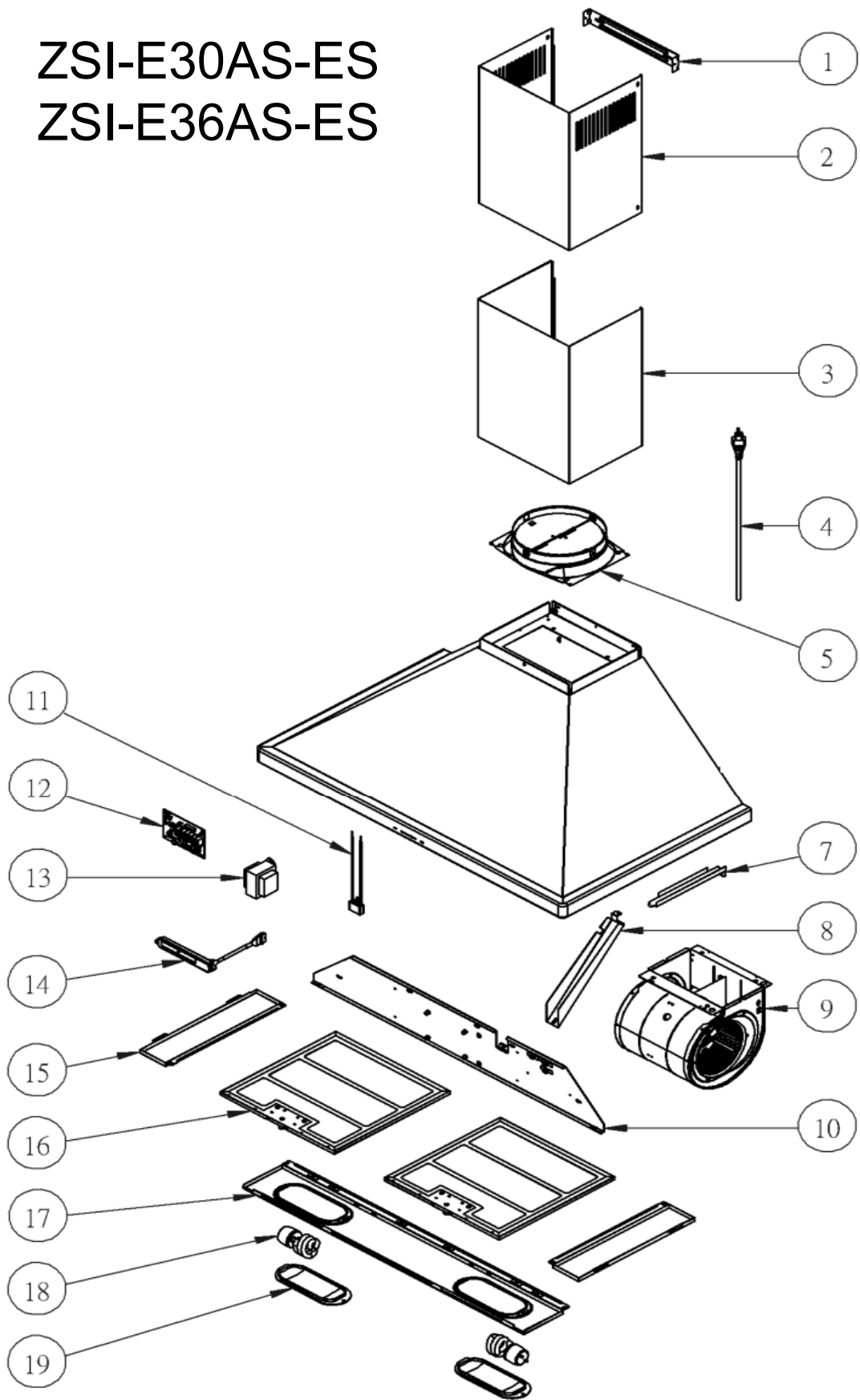


ZSI-E30AS-ES ZSI-E36AS-ES





Siena Wall ES

ZSI-E30AS-ES, ZSI-E36AS-ES

Ref #	Part #	Description	Qty.
1	54110050	Bracket, Duct Cover	1
2	50050145	Duct Cover, Upper	1
3	50050146	Duct Cover, Lower	1
4	11030082	Wires, Electrical	1
5	54050078	Collar, 8" Round	1
6	11030096	Cable, Switch, Long	1
7	54210008	Cover, Wiring	1
8	54210010	Cover, Wiring	1
9	12120077	Motor	1
10	50140120	Panel, Internal (30")	1
10	50140121	Panel, Internal (36")	1
11	12050012	Capacitor	1
12	11010065	Control Board	1
13	12110019	Transformer	1
14	11000090	Switch Assembly	1
15	50120069	Panel, Spacer (36")	2
16	50200050	Filter, Baffle	2
17	50110142	Panel, Light (30")	1
17	50110143	Panel, Light (36")	1
18	Z0B-0036	Bulb, Fluorescent, GU-24, 13W	2
18-1	12100047	Socket, Light	2
19	52150008	Light Cover	2
20	05000102	Hardware Packet	1
20-1	01070025	Screw, M4 x 1 1/2"	6
20-2	01070010	Screw, M4 x 8mm	4
20-3	01070006	Screw, M4 x 8mm	2

MAR15.0301