

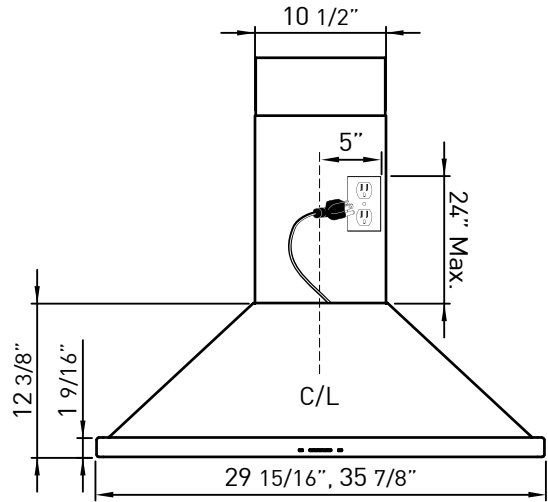
The Siena ES, certified ENERGY STAR® hood is packed with power. With a 400-CFM blower and ACT™ technology this hood has a versatile range of features perfect for any kitchen. With energy-efficient, warm white

fluorescent lights, an extension duct cover option and Zephyr's new ICON Touch® controls, clearing the air is as simple as the touch of a button.

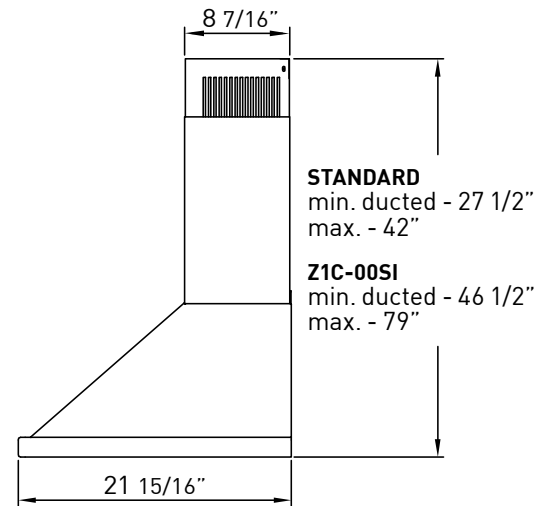


	INTERNAL BLOWER STANDARD	INTERNAL BLOWER with ACT™ AIRFLOW CONTROL TECHNOLOGY™*
Min. - Max. CFM	200 - 400	200 - 290
Min. - Max. Sones	1.4 - 6	1.4 - 3

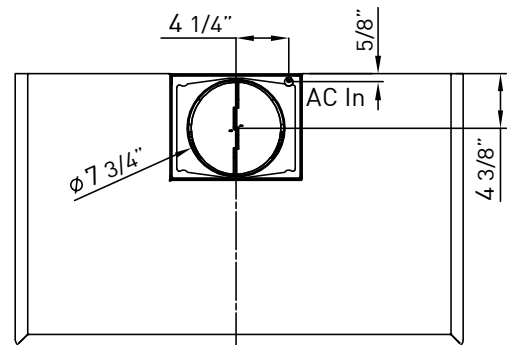
*AIRFLOW CONTROL TECHNOLOGY™ (ACT™) is an exclusive feature built into specific Zephyr hoods which can limit the maximum blower CFM to meet local code requirements.



FRONT



SIDE



C/L

TOP

MODEL	ZSI-E30AS-ES	ZSI-E36AS-ES
Stainless Steel		
Size	30"	36"
Blower CFM (Min. - Max.)	200 - 400	200 - 400
Sones (Min. - Max.)	1.4 - 6	1.4 - 6
ACT 290 CFM (Min. - Max.)	200 - 290	200 - 290
ACT 290 Sones (Min. - Max.)	1.4 - 3	1.4 - 3
FEATURES		
ENERGY STAR® Certified	Yes	Yes
ACT™ Technology	Yes	Yes
Controls	ICON Touch®	ICON Touch®
Speed Levels	3*	3*
Auto Delay-Off	Yes	Yes
Lighting	Flourescent, 13W x1	Flourescent, 13W x1
Dual-Level Lighting	No	N
Filters	Hybrid Baffle x2	Hybrid Baffle x2
Recirculating Option	No	No
Extension Duct Cover Option	Yes, Up to 12' Ceiling	Yes, Up to 12' Ceiling
DUCT SPECIFICATIONS		
Vertical Internal Blower	8" Round	8" Round
Horizontal Internal Blower	NA	NA
AC POWER	120V, 60Hz at Max. 1.2A	120V, 60Hz at Max. 1.2A
OPTIONAL ACCESSORIES		
Extension Duct Cover	Z1C-00SI	Z1C-00SI
MOUNTING HEIGHT RANGE**	26" - 34"	26" - 34"
WARRANTY	3 years parts, 1 year labor	3 years parts, 1 year labor

CEILING HEIGHT		8'	8.5'	9'	9.5'	10'	10.5'	11'	12'
STANDARD DUCT COVER	Ducted Mounting Height**	26" - 32.5"	26" - 34"	30" - 34"	NA	NA	NA	NA	NA
EXTENSION DUCT COVER	Ducted Mounting Height**	NA	NA	NA	26" - 31.5"	26" - 34"	26" - 34"	26" - 34"	28" - 34"

*When ACT™ is enabled the maximum speed levels will change 3 to 2 speeds.

**Mounting height refers to distance between top of a 36" tall cooking surface and bottom of hood.

ACT™ AIRFLOW CONTROL TECHNOLOGY™ (ACT™) is an exclusive feature built into specific Zephyr hoods which can limit the maximum blower CFM to meet local code requirements.

Specifications subject to change, check zephyronline.com for up-to-date information.
Zephyr Ventilation | 2277 Harbor Bay Parkway, Alameda, CA 94502 | 888.880.VENT

JAN20.0101

