

# Built-in Coffee Maker, 24"

Series 9 | Minimal

Black

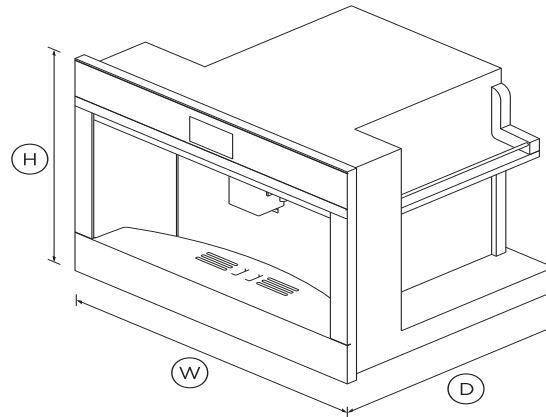


Our built-in coffee maker pours a delicious coffee, however you take it. Pairs perfectly with 24" ovens and other companion products.

- Make barista-standard coffee just the way you like it, with 13 options from Americano to Macchiato or Latte
- Your favorite coffee can be memorized and set to start at the same time each day, so it's ready when you are
- With self-cleaning function for an effortless clean
- Part of our suite of companion products, designed to match aesthetically for flexible configurations

## DIMENSIONS

Height	18 1/16"
Width	23 1/2"
Depth	18 15/16"



## FEATURES & BENEFITS

### Sized to suit

This 24" Built-in Coffee Maker is perfect for the compact kitchen and can be placed virtually anywhere. Companion products share standard dimensions and can be installed in multiple configurations to suit your kitchen design and preference.

### Coffee choice

Your Coffee Maker has 13 different choices to suit your taste and selection - from Espresso to Latte.

### <<Missing Feature Title>>

The conical burr grinder delivers a consistent grind for the

perfect coffee. Set it to suit your preference.

### <<Missing Feature Title>>

The Coffee Maker has a self-cleaning function and comes with a removable drip tray and a waste container for used coffee grounds.

### Personalise your cup

Program your Coffee Maker to start up at the same time every day and make your favorite coffee - then save it as a setting.

### Beauty of choice

With the choice of a stylish stainless steel or elegant black trim, our Companion products help you achieve a coherent kitchen aesthetic that suits your design style.

## SPECIFICATIONS

### Accessories

Coffee spoon	•
Descaling agent bottle	•
Extractable steam outlet	•
Optional lower trim kit	<b>Part 81662</b>
Thermal milk jug (Auto)	<b>0.125</b>
Water Filter	•

### Capacity

Coffee bean container capacity	<b>0.75lbs</b>
Drip tray capacity	<b>0.25gal</b>
Grounds container capacity	<b>14 cups of coffee</b>
Number of cups	<b>1 or 2</b>
Water tank capacity	<b>0.625gal</b>

### Cleaning

Easy to remove coffee grinds	•
------------------------------	---

- Easy to remove stainless steel •
- Removable drip tray with level •

**Controls**

- Cleaning reminder •
- Coffee grounds full reminder •
- High resolution touch display •
- Intuitive information display •
- LED lights **4**
- Multi-language interface •
- Refill coffee bean reminder •
- Smart self-learning menu •
- Water tank empty indicator •

**Functions**

- Americano •
- Cappuccino •
- Coffee •
- Coffee strength levels •
- Cup size levels **4 + manual**
- Double espresso •
- Espresso •
- Espresso macchiato •
- Flat white •
- Hot milk •
- Hot water •
- Latte •
- Latte macchiato •
- Long black •

- Number of functions **13**
- Personalised coffee •
- Takes pre-ground coffee •

**Performance**

- Coffee temperatures **5**
- Grinder **Stainless steel conical burr**
- Grinding coarseness **13 positions**
- Heating system **Thermablock with stainless**
- Heating system power (coffee) **1200/1000W**
- Integrated cup warmer shelf •
- Integrated storage for •
- Pump power **50W**
- Pump pressure •

**Power requirements**

- Amperage **10A**
- Supply frequency **50Hz**
- Supply voltage **120V**

**Product dimensions**

- Depth **18 <sup>15</sup>/<sub>16</sub> "**
- Height **18 <sup>1</sup>/<sub>16</sub> "**
- Width **23 <sup>1</sup>/<sub>2</sub> "**

SKU **81925**

TEST The product dimensions and specifications in this page apply to the specific product and model. Under our policy of continuous improvement, these dimensions

and specifications may change at any time. You should therefore check with Fisher & Paykel's Customer Care Centre to ensure this page correctly describes the model currently available. ? Fisher & Paykel Appliances Ltd 2020

---

Other product downloads available at [fisherpaykel.com](http://fisherpaykel.com)

- [↓](#) User Guide
- [↓](#) Service & Warranty Booklet
- [↓](#) Guide D'Utilisation
- [↓](#) Installation Guide
- [↓](#) Guide D'Installation
- [↓](#) Resource (zip)



**A PEACE OF MIND SALE**

24 Hours 7 Days a Week Customer Support

T 1.888.936.7872 W [www.fisherpaykel.com](http://www.fisherpaykel.com)