

TECHNE SERIES  
**BELLAGIO**



3X LAYER  
MESH FILTER



CFM  
REDUCTION

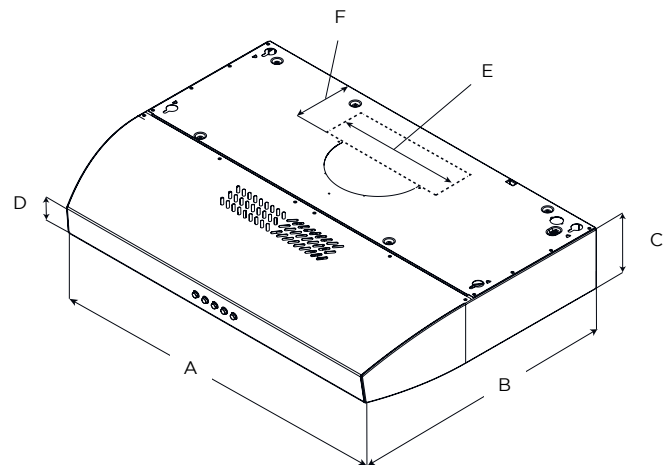


HEAT GUARD

ELICA'S EXCLUSIVE  
PLUS FEATURES

With a compact 4 ¾" height, Bellagio is an ideal choice where under-cabinet space is limited. An upgraded 4-speed, 430 CFM internal blower provides sufficient ventilation power for most kitchens. Bellagio also offers the luxury and convenience of halogen lighting with 2 light intensities, dishwasher-safe anodized aluminum mesh filters and multi-function electronic controls with LCD display.

Available in 30" or 36" width, Bellagio is designed for standard ducted installation, and can also be installed as a recirculating system using the Recirculating Kit, available as an accessory.



≥24"



≥30"

MOUNTING  
HEIGHT  
RANGE

	Models	
	EBL430SS	EBL436SS
<b>A</b>	30" (76.2 cm)	36" (91.4 cm)
<b>B</b>	20" (50.8 cm)	
<b>C</b>	4 7/10" (12 cm)	
<b>D</b>	2 2/5" (5.7 cm)	
<b>E</b>	3 1/4" x 10" (8.3 x 25.4 cm)	
<b>F</b>	5 1/10" (13 cm)	

SPECIFICATIONS



	30" UNIT	36" UNIT
Model:	EBL430SS	EBL436SS
Dimensions:	30"W x 20"D x 4 3/4"H	36"W x 20"D x 4 3/4"H
Blower Type(internal):	430 CFM, 4-Speed Internal	
Blower Performance:		
Speed 1	160 CFM	
Speed 2	240 CFM	
Speed 3	310 CFM	
Speed 4	430 CFM	
Noise (sones): Working Speed	Min: 1.4, Max: 7.1	
Finish:	Stainless Steel	
Controls:	Multi-function electronic with LCD display	
Illumination:	2, 50 Watt Halogen Lamps, 2 Light Intensities (bulbs included)	
Filter Type:	2, Dishwasher-Safe, Anodized Aluminum Mesh	
Installation Type:	Ducted or Recirculating Installation (Recirculating Kit Sold Separately)	
Duct Transition:	3 1/4" x 10" with Back Draft Damper (top or rear), or 7" Round (top) sold separately	
Electrical:	120V – 60 Hz, 445 Watts at 3.6 Amps	
KITS:		
Optional Recirculating Kit	KIT02178	KIT02179
Optional Stainless Steel Mesh Grease Filter	KIT02591	KIT02592
Optional Backdraft Damper, 7" Round	KIT02723	
CONSUMABLE PARTS:		
Replacement Grease Filter (1)	GF04BA	GF04BB
Replacement Carbon Filter (1)	TM01FA	TM01FB
Replacement Light Bulb (1)	2006BH	

\*Consumable parts are sold in units of one (1). Order accordingly

PLUS FEATURES



**3X LAYER GREASE FILTER** - Elica aluminum mesh filters are a step above competition, featuring triple layered, anodized aluminum that is woven into a highly dense mesh. The thick mesh captures more grease, anodization helps resist staining and provides durability to repeated cleanings in the dishwasher.



**CFM REDUCTION** - CFM Reduction System (CRS), is an exclusive feature to Elica hoods, which enables the user to reduce directly in the glass touch control the maximum blower CFM, to meet local code requirements.



**HEAT GUARD** - A safety feature that protects the hood and cabinetry from excessive heat, by sensing extreme temperatures (>158 degrees) and will automatically adjust the blower speed to HIGH. Blower speed will automatically adjust back once temperatures drop to a safe level.