

Blomberg®

seit 1883

Range Hood

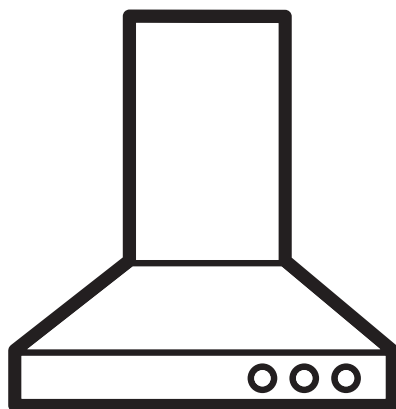
User manual

Campana

Manual del usuario

Hotte

Manuel d'utilisation



BCHS30100SS



Please read this manual first!

Dear Customers!

Thank you for preferring a Blomberg product. We hope that you get the best results from your product which has been manufactured with high quality and state-of-the-art technology. Therefore, please read this entire user manual and all other accompanying documents carefully before using the product and keep it as a reference for future use. If you handover the product to someone else, give the user manual as well. Follow all warnings and information in the user manual.

Remember that this user manual is also applicable for several other models. Differences between the models are explicitly described in the manual.

Meanings of the Symbols

Following symbols are used in the various section of this manual:



Important information and useful hints about usage.



WARNING: Warnings for dangerous situations concerning the safety of life and property.



Warning for electric shock.



Warning for hot surfaces.



This product has been manufactured in environmental friendly modern plants without giving any harm to the nature.



CONTENTS

1 Important safety and environmental instructions	4	6 Cleaning and maintenance	17
1.1 General safety	4	6.1 Maintenance	17
1.1.1 Electrical safety	4	6.2 Cleaning	17
1.1.2 Product safety	5	6.3 Grease Filter	17
1.1.3 Children's safety	6	6.4 Replacing the light bulb	17
1.2 Intended use	6	6.5 Charcoal Filter	18
1.3 Compliance with WEEE Directive and disposing of the waste product	7	6.6 Charcoal filter placement (Recirculating accessories)	18
Compliance with RoHS Directive	7	7 Warranty	19
1.4 Package information	7		
2 Electrical & Installation requirements	8		
2.1 Electrical requirements	8		
2.2 Before installing the hood	8		
3 Technical specifications of your appliance	9		
3.1 List of Materials	9		
3.1.1 Parts supplied	9		
3.1.2 Parts not supplied	9		
3.2 Dimensions and Clearances	9		
3.3 Ducting Options and Examples	10		
3.3.1 Venting methods	10		
3.4 Preparation	11		
4 Installing your appliance	12		
4.1 Installation - Ducting version	12		
5 Operating your appliance	16		
5.1 Description of the hood & Controls	16		
5.1.1 Controls	16		
5.1.2 Description of control panel	16		

1

Important safety and environmental instructions

This section contains safety instructions that will help protect from risk of personal injury or property damage. Failure to follow these instructions invalidates the granted warranty.

1.1 General safety

- Always have the installation and repairing procedures carried out by the Authorized Service Agent. Manufacturing firm shall not be held responsible for damages that may be caused by unauthorized persons.
- This appliance is not intended for use by persons (including children) with reduced physical, sensory or mental capabilities, or lack of experience and knowledge. Children should be supervised to ensure that they do not play with the appliance.

1.1.1 Electrical safety

- Always unplug the appliance from the mains supply during installation, maintenance, cleaning and repair operations.

- If the power cable is faulty, it should be replaced by a qualified person certified by the manufacturer, after-sales service or similar (preferably an electrician) or a person described by the importer.
- Operating voltage is 220 to 240 volts.
- If the appliance has a failure, it should not be operated unless it is repaired by the Authorized Service Agent. There is the risk of electric shock!
- Do not route power cable close to hobs. Otherwise power cable may cause fire since it melts down easily.
- Never plug the hood before installation is completed.
- In order to obtain the best performance, external conductor must not be longer than 4 m. It must not contain more than 2 perpendicular (90°) angles and its diameter must be min. \varnothing 120 mm.
- Disconnect the appliance from mains before any intervention to the internal parts of the appliance.
- Use the appliance with a grounded outlet only.

1.1.2 Product safety

- You can use a pipe with a diameter of 120 mm or 150 mm on the flue connection of the hood.
- Do not make connections to the flues connected with stoves, exhaust shafts or flues with rising flames. Observe the rules set by authorities on the discharge of exhaust air.
- The height between the lower surface of the hood and upper surface of the stove/oven should not be less than 50 cm for gas hobs and 45 cm for electric hobs.
- Do not operate the hood without aluminum filters and do not remove the filters while it is operated.
- Never touch the hood's lamps after they are operated for a long time. Hot lamps may burn your hand.
- Avoid large flames beneath the product. Otherwise, particles on oil filter may ignite and lead to a fire.
- Turn on the hobs after placing pans or pots on it. Otherwise, rising heat may deform certain parts of your product.
- Turn off the hobs before taking away pans or pots.
- Avoid inflammable materials under the hood.
- Oil may ignite while frying foods. Therefore, be careful about cloths and curtains.
- Never leave the cooker unattended when frying foods; otherwise hot oil may cause fire.
- There is the risk of fire if your hood is not cleaned in the specified periods.
- Be extremely careful and wear gloves when cleaning the hood.
- We advise you to operate the appliance a few minutes before starting to cook in order to increase the suction power. Thus, you shall have a continuous and stable suction power when the vapors arise.
- Operate your hood for 15 minutes more after the end of cooking or frying in order to remove the smell and cooking vapor in the kitchen.
- When the hood is in use, especially together with gas cookers, make sure that environment is ventilated with clean air.

Important safety and environmental instructions

- Pay attention not to connect the appliance to the flues used by non-electrical devices. (E.g.: Heater flue).
- Simultaneous and smooth operation of the hood and another device that require air is only possible when a low pressure of 4 Pa (0.04 mbar) is reached, and thus the reabsorption of the gas is avoided. This can only be achieved by means of air coming from uncovered openings (door, window, ventilation openings or other technical measures). Pay utmost attention to provide sufficient air flow. A flue that provides air ingress/egress is not enough for this purpose.
- This appliance can be used by the children who are at the age of 8 or over and by the people who have limited physical, sensory or mental capacity or who do not have knowledge and experience, as long as they are supervised with regard to safe use of the product or they are instructed accordingly and understand the risks of using the product. Children should not play with the appliance.
- **CAUTION:** Accessible parts may heat up when used with a cooking device.

1.1.3 Children's safety

- Packaging materials are dangerous to children. Keep packaging materials in a safe place out of reach of children.
- Electrical appliances are dangerous to children. Keep children away from the product. Do not allow children play with the appliance.
- This appliance is intended for domestic use. It is not suitable for commercial use and it must not be used out of its intended use.
- The manufacturer shall not be liable for any damage caused by improper use or handling.
- Service life of your appliance is 10 years. This is the period required for availability of spare parts for proper functioning of the product.

1.2 Intended use

1

Important safety and environmental instructions

- **WARNING:** Failure to fix the screws in concordance with the instructions provided in the manual may lead to electrical hazards.

1.3 Compliance with WEEE Directive and disposing of the waste product



This product complies with EU WEEE Directive (2012/19/EU). This product bears a classification symbol for waste electrical and electronic equipment (WEEE).

This product has been manufactured with high quality parts and materials which can be reused and are suitable for recycling. Do not dispose of the waste product with normal domestic and other wastes at the end of its service life. Take it to the collection center for the recycling of electrical and electronic equipment. Please consult your local authorities to learn about these collection centers.

Compliance with RoHS Directive:

The product you have purchased complies with EU RoHS Directive (2011/65/EU). It does not contain harmful and prohibited materials specified in the Directive.

1.4 Package information



Package of the product is made of recyclable materials in accordance with our National Legislation. Do not dispose of the packaging materials together with the domestic or other wastes. Take them to the packaging material collection points designated by the local authorities.

2.1 Electrical requirements



Observe all governing codes and ordinances.

It is the customer's responsibility:

To contact a qualified electrical installer. To assure that the electrical installation is adequate and in conformance with National Electrical Code, ANSI/NFPA 70 – latest edition*, or CSA Standards C22.1-94, Canadian Electrical Code, Part 1 and C22.2 No.0-M91 - latest edition** and all local codes and ordinances.

- If codes permit and a separate ground wire is used, it is recommended that a qualified electrician determine that the ground path is adequate.
- Do not ground to a gas pipe.
- Check with a qualified electrician if you are not sure range hood is properly grounded.
- Do not have a fuse in the neutral or ground circuit.



Save Installation Instructions for electrical inspector's use.



The range hood must be connected with copper wire only.



The range hood should be connected directly to the fused disconnect (Or circuit breaker) box through metal electrical conduit.

Wire sizes must conform to the requirements of the National Electrical Code ANSI/NFPA 70 – latest edition*, or CSA Standards C22.1-94, Canadian Electrical Code Part 1 and C22.2 No. 0-M91 - latest edition** and all local codes and ordinances.

A U.L.- or C.S.A.-listed conduit connector must be provided at each end of the power supply conduit (at the range hood and at the junction box).

Copies of the standards listed may be obtained from:

* National Fire Protection Association
Batterymarch Park Quincy, Massachusetts 02269

** CSA International 8501 East Pleasant Valley Road Cleveland, Ohio 44131-5575

2.2 Before installing the hood

1. For the most efficient air flow exhaust, use a straight run or as few elbows as possible.



WARNING: Vent unit to outside of building, only.

2. At least two people are necessary for installation.
3. The hood is fitted with Screws and Drywall Anchors suitable for most surfaces, consult a Qualified Installer, check if they perfectly fit with your cabinet/wall.
4. Do not use flex ducting.
5. COLD WEATHER installations should have an additional backdraft damper installed to minimize backward cold airflow and a nonmetallic thermal break to minimize conduction of outside temperatures as part of the ductwork. The damper should be on the cold air side of the thermal break. The break should be as close as possible to where the ducting enters the heated portion of the house.
6. Make up air: Local building codes may require the use of Make-Up Air Systems when using Ducted Ventilation Systems greater than specified CFM of air movement. The specified CFM varies from locale to locale. Consult your HVAC professional for specific requirements in your area.

3 Technical specifications of your appliance

3.1 List of Materials

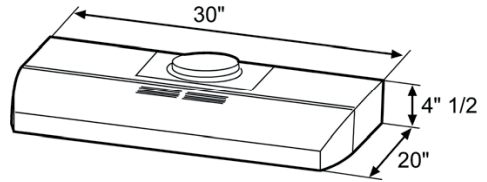
3.1.1 Parts supplied

- Hood Canopy Assembly with Round Metal Transition installed
- Rectangular Metal Transition with Back draft dampers
- Care & Use / Installation Instructions
- 2 Filters
- Fitting Screws

3.1.2 Parts not supplied

- Duct, conduit and all tools required for installation.
- Ductless Recirculating Kit
- To be used only in the Ductless (Recirculating) version
- includes: charcoal filter

3.2 Dimensions and Clearances



	BCHS30100SS
Operating mode	convertible: ducted/ recirculated
Max. Ventilation Capacity	240 CFM
Nr.of Speeds	3
Controls	Electronical Tact Switches
Lights	2 x 50 W Halogene
Filtering	2 x Aluminum Mesh
Volts	120 V
Frequency	60 Hz
Total Power (motor + lamps)	260 W
Plug type	Hard Wire
Required distance above cooktop	30" (gas cooktop)
	24" (electrical cooktop)

3 Technical specifications of your appliance

3.3 Ducting Options and Examples

Closely follow the instructions set out in this manual.

All responsibility, for any eventual inconveniences, damages or fires caused by not complying with the instructions in this manual, is declined.

3.3.1 Venting methods

Vent Exhaust Option

The hood is designed for vertical or horizontal discharge or can be installed in a recirculating ductless version:

Vertical discharge:

Use a rectangular duct 3 1/4" x 10" or use a round 7" duct.

Horizontal discharge:

Use a rectangular duct 3 1/4" x 10"

Recirculating (non vented ductless)



For ductless (Recirculating) version only; purchase the Ductless Recirculating Kit. Minimum Duct Size (Ducting/Ductless version): 7" Round Pipe.



Recirculating



Vertical discharge



Horizontal discharge

3 Technical specifications of your appliance

3.4 Preparation

Do not cut a joist or stud unless absolutely necessary. If a joist or stud must be cut, then a supporting frame must be constructed.

Fittings material is provided to secure the hood to most types of walls/ceilings.

However, a qualified technician must verify suitability of the materials in accordance with the type of wall/ceiling.

Before making cutouts, make sure there is proper clearance within the ceiling or wall for exhaust vent.

Hood installation height above cooktop is the users preference. The lower the hood is above the cooktop, the more efficient the capturing of cooking odors, grease and smoke.



WARNING: For gas ranges installation: mount this hood so that the bottom edge is at 30" (76,2 cm) above the cooking surface.

For electric ranges installation: mount this hood so that the bottom is not less than 24" (61 cm) and not more that 30" (76,2 cm) above the cooking surface.

Household use. Please, read installation manual for specific application.

Check your ceiling height and the hood height maximum before you select your hood.

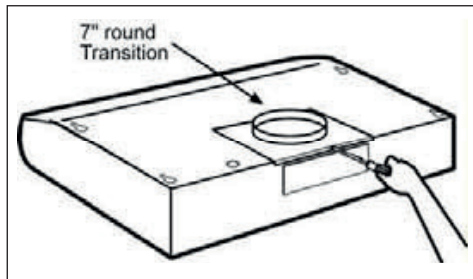
4 Installing your appliance

4.1 Installation - Ducting version

After having chosen the vent option, proceed as follows:

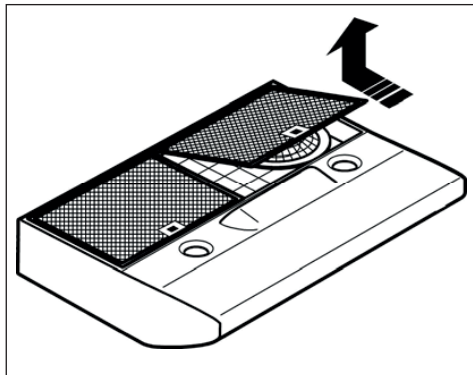
Step 2

Remove the round transition from its seat by unscrewing the its fixing screws (save the screws).



Step 3

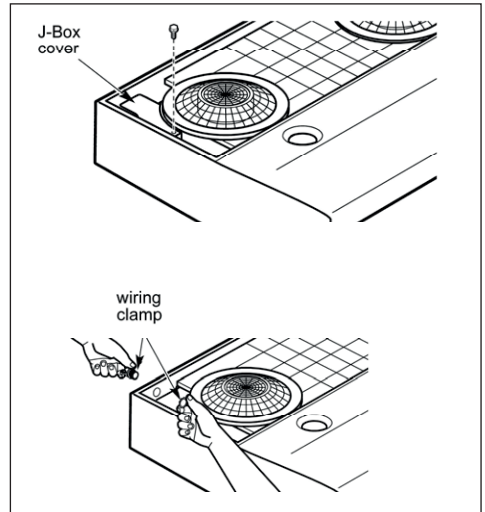
Remove the grease filters.



Step 4

Remove the junction box cover.

Remove either the top or the back wiring knockout according the preference and install an approved wiring clamp



Step 5

Remove the duct knockouts using a flat blade screwdriver and a small hammer.

Use the screwdriver by knocking out the panel in similar fashion to a scalpel.

Take care of sharp edges.

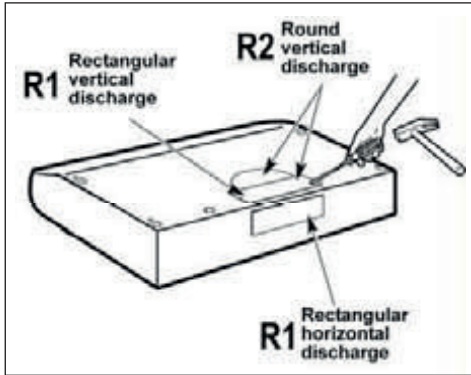


If it is intended to use the hood in the recirculating version do not remove any duct knockouts and order the necessary charcoal filter from your supplier.

R1 = Remove rectangular duct knockout only.

R2 = Remove semicircular and rectangular duct knockouts

4 Installing your appliance



Step 6

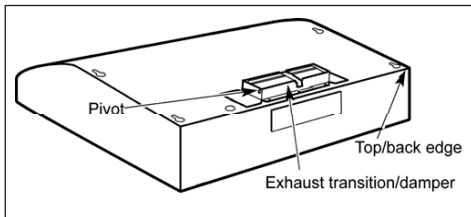
For rectangular ducted discharge installations only (otherwise skip to next step)

Attach exhaust adaptor/damper over knockout opening with two exhaust adaptor screws. Make sure damper pivot is nearest to top/back edge of hood.

Remove tape from damper flap.



The exhaust adaptor/damper can be installed up to 1 inch on either side of the hood center to accommodate off-center ductwork. In extreme offcenter installations, one end of the duct connector may need to be trimmed to clear the electrical cable clamp.

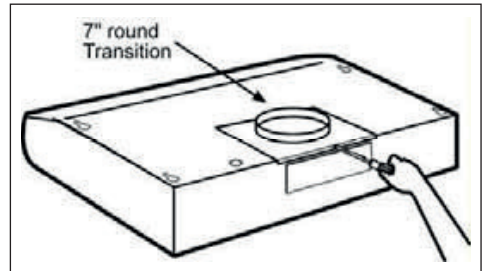


Step 7

For round ducted discharge installations only Re-install the round transition with its screws.



The round transition can be installed up to 1 inch on either side of the hood center to accommodate off-center ductwork. In extreme offcenter installations, one end of the duct connector may need to be trimmed to clear the electrical cable clamp.



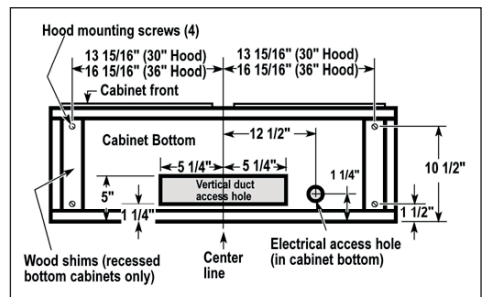
Step 8

Mark holes

Select the vent option that your installation will require and proceed to that section:

Outside top exhaust

(Vertical duct- 3 1/4" x 10" Rectangular) Use the diagram or the hood as a template and mark the locations on the cabinet for ductwork, electrical wiring and keyhole screw slots.

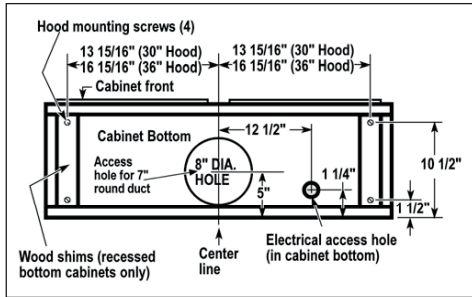


4 Installing your appliance

Outside top exhaust

(Vertical duct-7" Round)

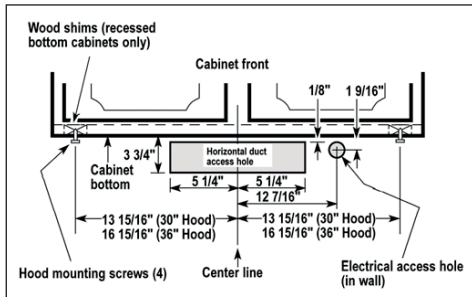
Use the diagram or the hood as a template and mark the locations on the cabinet for ductwork, electrical wiring and keyhole screw slots.



Outside rear exhaust

(Horizontal duct- 3 1/4" x 10" Rectangular)

- Use the diagram or the hood as a template and mark the locations on the cabinet for ductwork, electrical wiring and keyhole screw slots.



Recirculating

Use the hood as a template and mark the locations on the cabinet for the electrical wiring and keyhole screw slots.

Since the hood is to be recirculated (not to be vented outside), do not cut out any vent openings in the wall or cabinet bottom.

Step 9

Choose Venting Option

The hood can be set to vent outside or to recirculate air back into the kitchen.

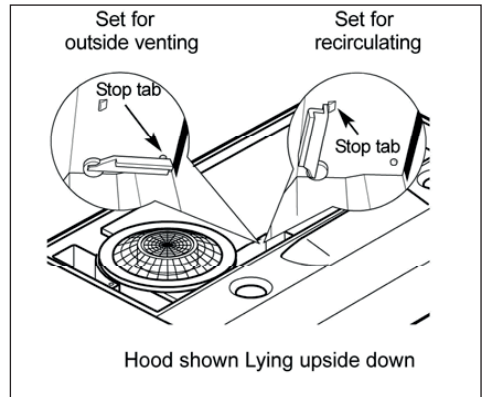
The plastic vent lever is located near the center of the hood opening.

To vent to the outside, make sure the plastic vent lever is in the HORIZONTAL position (flat against the metal top of the hood).

To recirculate air into the kitchen, make sure the plastic vent lever is in the VERTICAL position (flat against the plastic blower housing).



In order to change the vent lever position, you will need to pull the lever out slightly to clear the plastic tabs.

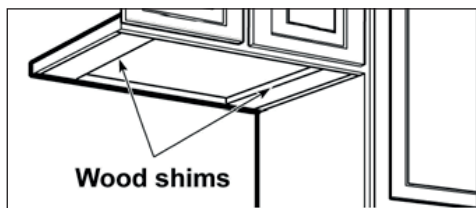


Step 10

For recessed bottom cabinet only

If the cabinets have front, side or back trim, make 2 wood shims the width of the trim and attach them to the cabinet bottom recess on both sides. See previous page for marking locations.

4 Installing your appliance



Step 11

Cut holes at marked locations for duct and electrical wiring. For the vertical duct, cut out 3/4" extra toward the front of the cabinet so you can move the duct freely when installing the hood.

It may also ease installation by cutting the hole 10 1/2" instead of 10".

Step 12

Drive a mounting screw (from the hardware packet) partway into each center of the narrow neck of the keyhole slots marked on the cabinet bottom.

Step 13

Fix the wiring conduit to the hood.

Step 14

Slide the hood back against the wall. Tighten the mounting screws. Be sure the screw heads are in the narrow neck of the keyhole slot.

Connect Ductwork to hood.

Step 15.

Electrical connection



WARNING: Electrical Shock Hazard

Turn off power circuit at the service panel before wiring this unit.

120 VAC, 15 or 20 Amp circuit required.

Electrical grounding instructions

This appliance is fitted with an electrical junction box with 3 wires, one of which (green/yellow) serves to ground the appliance.

To protect you against electric shock, the green and yellow wire must be connected to the grounding wire in your home electrical system, and it must under no circumstances be cut or removed.

Failure to do so can result in death or electrical shock.

Remove the knockout and the Junction box cover and install the conduit connector (cULus listed) in junction box.

Run 3 wires; black, white and green, according to the National Electrical Code and local codes and ordinances, in 1/2" conduit from service panel to junction box.

Connect black wire from service panel to black or red in junction box, white to white and green to green-yellow.

Close and secure junction box cover.

Step 16

Final installation steps

Replace filters.

Check operation of the hood.

If range hood does not operate:

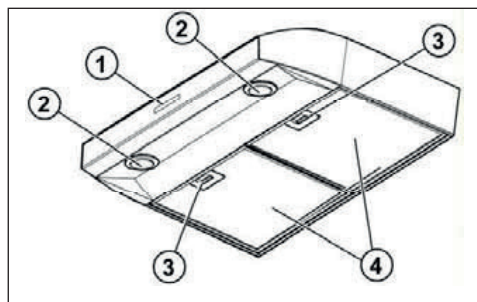
- Check that the circuit breaker is not tripped or the house fuse blown.
- Disconnect power supply. Check that wiring is correct.

To get the most efficient use from your new range hood, read the "Use and Care Information" section.

Keep your Installation Instructions and Use and Care Guide close to range hood for easy reference.

5 Operating your appliance

5.1 Description of the hood & Controls

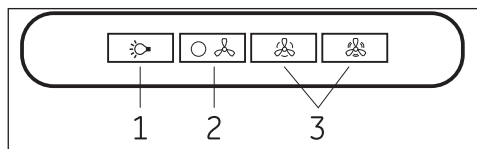


1. Blower and light controls
2. Halogen lamp housings
3. Grease filter Handle
4. Grease filter

5.1.1 Controls

Use the high suction speed in cases of concentrated kitchen vapours. It is recommended that the cooker hood suction is switched on for 5 minutes prior to cooking and to leave in operation during cooking and for another 15 minutes approximately after terminating cooking.

5.1.2 Description of control panel



1. ON/OFF Light
2. ON/OFF general and speed1.
3. ON/OFF, speed 2 and speed 3.

6 Cleaning and maintenance

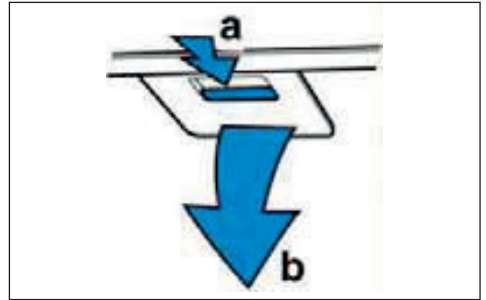
6.1 Maintenance



Before performing any maintenance operation, isolate the hood from the electrical supply by switching off at the connector and removing the connector fuse.

Or if the appliance has been connected through a plug and socket, then the plug must be removed from the socket.

To remove the grease filter, pull the spring release handle.



6.2 Cleaning

- Do not spray cleaners directly to the control while cleaning the Hood. The cooker hood should be cleaned regularly (at least with the same frequency with which you carry out maintenance of the fat filters) internally and externally. Clean using the cloth dampened with neutral liquid detergent. Do not use abrasive products. **DO NOT USE ALCOHOL!**



WARNING: Failure to carry out the basic cleaning recommendations of the cooker hood and replacement of the filters may cause fire risks.

- Therefore, we recommend observing these instructions.
- The manufacturer declines all responsibility for any damage to the motor or any fire damage linked to inappropriate maintenance or failure to observe the above safety recommendations.

6.3 Grease Filter

Traps cooking grease particles.

This must be cleaned once a month using non aggressive detergents, either by hand or in the dishwasher, which must be set to a low temperature and a short cycle. When washed in a dishwasher, the grease filter may discolour slightly, but this does not affect its filtering capacity.

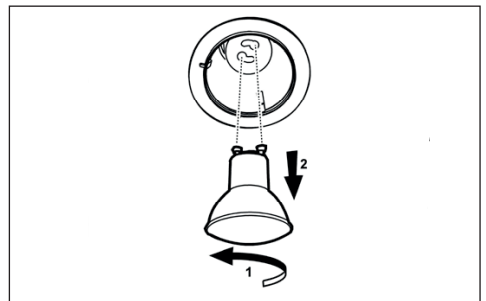
6.4 Replacing the light bulb



Before replacing the lamps, switch power off at service panel and lock service panel disconnecting means to prevent power from being switched on accidentally.



Turn off the lights and fan. Allow the lights to cool before handling. If new lights do not operate be sure lights are inserted correctly before calling service.



Replace Lights

- Remove the damaged light (twist counter clockwise) and replace with a new 120 Volt, 50 Watt (maximum) 50° halogen light made for a GU10 base, suitable for use in open luminaire.

6 Cleaning and maintenance

6.5 Charcoal Filter

- If the model is not vented to the outside, the air will be recirculated through disposable charcoal filters that help remove smoke and odors.
- The charcoal filters cannot be cleaned.
- They must be replaced.
- The charcoal filters are clipped inside of each metal grease filter (mounting instructions included with charcoal filters kit). The charcoal filters should be replaced every 4-6 months (depending on hood usage).



DO NOT rinse, or put charcoal filters in an automatic dishwasher.



Charcoal filters are not included with the hood.

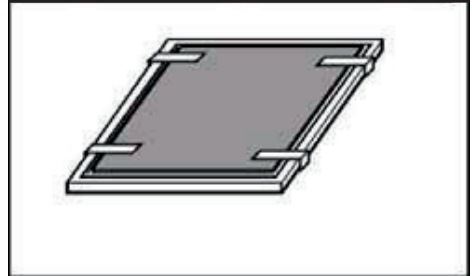
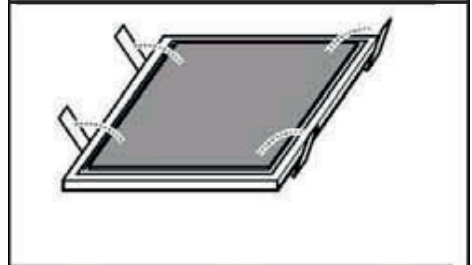
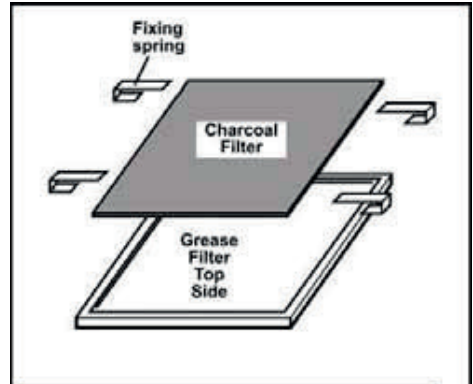
- They must be ordered from your supplier.
- Order the needed kit specifying your hood model and width size.

6.6 Charcoal filter placement (Recirculating accessories)

- Fit the charcoal filter mattress on the upper side of each grease filter.
- Use provided springs to fix it in place.



When removing for replacing for a new one do not remove Fixing Springs, simply pull out one and rotate outwards.



Warranty Statement For Blomberg Range Hoods

Cooking Appliances

The warranties provided by Blomberg in these statements only apply to Blomberg cooking appliances(wall ovens / cooktops) sold to the original purchaser or homeowner in the US and Canada. The warranty is not transferable. To obtain warranty service, please contact our nearest distributor as listed by state. You will need your cooking appliances(wall ovens / cooktops) model number, serial number, retailer name and address, where purchased and purchase date / installation date. This warranty gives you specific legal rights, and you may also have other rights which vary from state to state.

1 year * limited warranty from date of first installation Blomberg will repair or replace at no cost to the consumer any defective parts of the cooking appliances(wall ovens / cooktops) if used under normal household conditions (warranty is void if the product is used commercially). Service must also be performed by an authorized Blomberg service agency **otherwise the warranty is void.** (Cosmetic defects must be reported within 10 business days from installation)

2 year * ++ limited warranty from date of first installation (Parts only) Blomberg will repair or replace any parts at no cost to the consumer if material defects or workmanship have caused the damage or failure of these components. Again the appliance must have been used under normal household conditions and not commercially as stated above (Labor charges are the responsibility of the consumer)

Disclaimers of warranties and exclusions: Warranty does not cover service costs by an authorized service agent to correct installation, electrical problems or educational instruction on the use of the cooking appliances(wall ovens / cooktops). The warranty also does not cover defects or damage caused by an act of god (such as storms, floods, fires, mudslides, etc.), damage cause by use of the cooking appliances(wall ovens / cooktops) for purposes other than those for which it was designed, misuse, abuse, accident, alteration, improper installation, maintenance, travel fees, service calls outside normal service hours, unauthorized service work or work.

This product is fully tested and went through official quality assurance inspections before leaving the original manufacturing site. Warranty terms for this Blomberg household appliance is not valid if the product is altered, tampered, modified, additional parts assembled, fixed and re-packed by an authorized distributor, servicer, a third party retailer, reseller or by any other unauthorized person(s).

TO THE EXTENT PERMITTED BY LAW, THIS WARRANTY IS IN LIEU OF ALL OTHER EXPRESSED AND IMPLIED WARRANTIES, INCLUDING THE IMPLIED WARRANTIES OF MERCHANTABILITY AND FITNESS FOR A PARTICULAR PURPOSE. BLOMBERG UNDERTAKES NO RESPONSIBILITY FOR THE QUALITY OF THIS PRODUCT EXCEPT AS OTHERWISE PROVIDED IN THIS WARRANTY STATEMENT. BLOMBERG ASSUMES NO RESPONSIBILITY THAT THE PRODUCT WILL BE FIT FOR ANY PARTICULAR PURPOSE FOR WHICH YOU MAY BE BUYING THIS PRODUCT, EXCEPT AS OTHERWISE PROVIDED IN THIS WARRANTY STATEMENT.

Blomberg does not assume any responsibility for incidental or consequential damages. Such damages include, but are not limited to, loss of profits, loss of savings or revenue, loss of use of the washer or any associated equipment, cost of capital, cost of any substitute equipment, facilities or services, downtime, the claims of third parties, and injury to property. Some states do not allow the exclusion or limitation of incidental or consequential damages, so the above limitations or exclusion may not apply to you.

* installation date shall refer to either purchase date or 5 business days after delivery of the product to the home, whichever is later.

++Parts replaced will assume the identity of the original parts + their original warranty.

No Other Warranties. This Warranty Statement is the complete and exclusive warranty from the manufacturer. No employee of Blomberg or any other party is authorized to make any warranty statements in addition to those made in this Warranty Statement. Please keep this warranty card, user manual and your sales slip for future reference.

HOW TO GET SERVICE

Please contact the Distributor for your State or Province as listed on the Distributor Contact List, or call our Toll Free Number at 1 800 459 9848 for direction to an Authorized Blomberg Service Agent. 02 01.

Lea el manual del usuario antes de utilizar el aparato

Estimado cliente:

Gracias por elegir un producto Blomberg. Esperamos que obtenga los mejores resultados de nuestro producto ya que ha sido fabricado con gran calidad y con tecnología de última generación. Por tanto, le aconsejamos que lea con atención este manual del usuario y todos los demás documentos adjuntos antes de utilizar el producto; guárdelo para futuras consultas. Si va a entregar este producto a otra persona, proporciónese el manual del usuario también. Siga todas las advertencias e instrucciones incluidas en este manual.

Recuerde que este manual del usuario también es válido para otros modelos. Las diferencias entre los modelos se señalan dentro del manual.

Explicación de los símbolos

En este manual se utilizan los siguientes símbolos:



Información importante o consejos útiles sobre el uso.



Advertencia para situaciones de riesgo con respecto a la vida y la propiedad.



Advertencia sobre posibles descargas eléctricas.



Advertencia para las superficies calientes.



Este producto se ha fabricado utilizando la última tecnología y en condiciones de fabricación respetuosas con el medio ambiente.



1 Instrucciones importantes para la seguridad y el medio ambiente	22	6 Limpieza y mantenimiento	35
1.1 Seguridad general	22	6.1 Mantenimiento	35
1.1.1 Seguridad eléctrica	22	6.2 Limpieza	35
1.1.2 Seguridad del producto	23	6.3 Filtro contra la grasa	35
1.1.3 Seguridad de los niños	24	6.4 Sustitución de la bombilla	35
1.2 Uso previsto	25	6.5 Filtros de Carbón	36
1.3 Conformidad con la Directiva RAEE y la eliminación de los desechos del producto	25	6.6 Colocación del Filtro de Carbón (Accesorios Recirculación)	36
Cumple con la Directiva RoHS:	25	7 Garantía	37
1.4 Información de embalaje	25		
2 Requisitos eléctricos y de instalación	26		
2.1 Requisitos eléctricos	26		
2.2 Antes de instalar la campana	26		
3 Especificaciones técnicas de su aparato	27		
3.1 Lista de materiales	27		
3.1.1 Piezas suministradas	27		
3.1.2 Piezas no suministradas	27		
3.2 Dimensiones y Espacios libres	27		
3.3 Tipos de ductos y ejemplos	28		
3.3.1 Métodos de ventilación	28		
3.4 Preparación	29		
4 Instalación de su aparato	30		
4.1 Instalación - Versión con tubos	30		
5 Funcionamiento de su aparato	34		
5.1 Descripción de la campana y los controles	34		
5.1.1 Controles	34		
5.1.2 Descripción del panel de control	34		

Esta sección contiene instrucciones de seguridad que ayudarán a la protección contra los riesgos de lesiones personales o daño a la propiedad. El incumplimiento de estas instrucciones causará la pérdida de la garantía.

1.1 Seguridad general

- Los procedimientos de instalación y reparación deben ser siempre llevados a cabo por el servicio técnico autorizado. El fabricante no se responsabilizará por daños resultantes de procedimientos llevados a cabo por personas no autorizadas.
- Este aparato no ha sido diseñado para que lo usen niños o adultos con sus facultades físicas, sensoriales o mentales reducidas, o bien que carezcan de la experiencia y conocimientos necesarios. Vigile a los niños para asegurarse de que no jueguen con este electrodoméstico.

1.1.1 Seguridad eléctrica

- Desconecte el producto de la corriente durante los procedimientos de instalación, mantenimiento, limpieza y reparación.

- En caso de que el cable de alimentación esté defectuoso, deberá ser sustituido por el fabricante, su servicio técnico o una persona cualificada (preferentemente un electricista) o alguien designado por el importador.
- El voltaje de funcionamiento es de entre 220 y 240 voltios.
- Si el aparato presenta un fallo, no debe ponerse en funcionamiento salvo que sea reparado por el servicio técnico autorizado. ¡Existe riesgo de descargas eléctricas!
- No hacer pasar el cable de electricidad cerca de las placas. En caso contrario, el cable de electricidad puede causar un incendio, ya que se derrite fácilmente.
- Nunca enchufe la campana extractora antes de que se haya completado la instalación.
- Para obtener el máximo rendimiento, el conductor externo no debe superar los 4 metros de longitud. No debe contener más de 2 ángulos perpendiculares (90°) y su diámetro debe ser de como mín. $\varnothing 120$ mm.
- Desconecte el aparato antes de cualquier intervención en las partes internas del mismo.

- Use el aparato únicamente con un enchufe con toma a tierra.

1.1.2 Seguridad del producto

- Se puede utilizar un tubo de 120 mm o 150 mm de diámetro para la conexión de la chimenea de la campana extractora.
- No realice las conexiones con las chimeneas conectadas a los fogones, conductos de ventilación o chimeneas con llamas. Siga las reglas establecidas por las autoridades sobre la descarga de los escapes de aire.

La altura entre la superficie inferior de la campana extractora y la superficie superior de la cocina/horno no debe ser inferior a 50 cm para placas a gas y a 45 cm para placas eléctricas.

- No poner en funcionamiento la campana extractora sin filtros de aluminio y no quitar los filtros mientras esta se encuentre en funcionamiento.
- Nunca toque las lámparas de la campana extractora después de que haya estado en funcionamiento por un tiempo prolongado.

Las lámparas calientes pueden quemar su mano.

- Evite que haya llamas de grandes dimensiones debajo del aparato. En caso contrario, las partículas en el filtro de aceite pueden prenderse fuego y generar un incendio.
- Encienda las placas después de haber colocado encima las sartenes u ollas. De lo contrario, la temperatura elevada puede deformar algunas partes de su producto.
- Apague las placas después de haber retirado las sartenes u ollas.
- Evite colocar materiales inflamables debajo de la campana extractora.
- El aceite puede prenderse fuego mientras se están realizando frituras. Por lo tanto, tenga cuidado con los trapos y cortinas.
- Nunca desatenga la olla cuando fría alimentos; de lo contrario el aceite caliente podría causar un incendio.
- Existe riesgo de incendio si su campana extractora no se limpia en los períodos especificados.
- Sea extremadamente cuidadoso y utilice guantes cuando limpie la campana extractora.

Instrucciones importantes para la seguridad y el medio ambiente

- Le recomendamos que ponga en funcionamiento el aparato algunos minutos antes de comenzar a cocinar para incrementar la potencia de aspiración. Así, tendrá una potencia de aspiración continua y estable cuando salgan los vapores.
- Haga funcionar su campana extractora durante 15 minutos más después de terminar de cocinar o freír para eliminar los olores y el vapor de cocción de la cocina.
- Cuando la campana se encuentra en uso, especialmente junto con cocinas a gas, asegúrese de que el ambiente esté ventilado con aire limpio.
- Preste atención a no conectar el aparato a las chimeneas utilizadas por dispositivos no eléctricos. (Ej.: Chimeneas de los sistemas de calefacción).
- El funcionamiento simultáneo y preciso de la campana y otro dispositivo que necesite aire es únicamente posible cuando se alcance una presión baja de 4 Pa (0,04 mbar). Así se evita la reabsorción del gas.

Esto sólo se puede conseguir mediante el aire procedente de las aperturas no cubiertas (puerta, ventana, orificios de ventilación u otras medidas técnicas). Ponga especial atención para proporcionar un flujo de aire suficiente. Una chimenea que posibilite la entrada/salida de aire no es suficiente para este propósito.

1.1.3 Seguridad de los niños

- Los materiales de embalaje son peligrosos para los niños. Mantenga los materiales de embalaje en un lugar seguro, fuera del alcance de los niños.
- Los aparatos eléctricos son peligrosos para los niños. Mantenga a los niños lejos de este producto. No deje que los niños jueguen con el aparato.
- Los niños de ocho o más años y las personas con las capacidades físicas, sensoriales o mentales limitadas o que no tengan los conocimientos y la experiencia necesarios pueden usar este aparato siempre y cuando lo hagan bajo supervisión o bien comprendan las instrucciones de uso seguro del aparato y sus riesgos potenciales.

Instrucciones importantes para la seguridad y el medio ambiente

No deje que los niños jueguen con el aparato.

- **PRECAUCIÓN:** Las partes accesorias pueden calentarse cuando se usen con un aparato de cocción.

1.2 Uso previsto

- Este aparato se ha diseñado para uso doméstico. No es adecuado para uso comercial y no debe utilizarse fuera de su uso previsto.
- El fabricante no será responsable por ningún daño ocasionado por su utilización o manipulación inadecuada.
- La vida útil del aparato es de 10 años. Este es el período necesario para que haya disponibilidad de repuestos para el funcionamiento correcto del producto.
- **ADVERTENCIA:** No arreglar los tornillos según las instrucciones indicadas en el manual puede causar riesgos eléctricos.

1.3 Conformidad con la Directiva RAEE y la eliminación de los desechos del producto



Este producto cumple con la Directiva RAEE de la UE (2012/19/UE). Este producto lleva un símbolo de clasificación para residuos de aparatos eléctricos y electrónicos (RAEE).

En la fabricación de este producto se han empleado piezas y materiales de alta calidad, que pueden reutilizarse y reciclarse. Por lo tanto, no arroje este aparato a la basura junto con residuos domésticos normales al final de su vida útil. Llévelo a un punto de recogida para el reciclado de componentes eléctricos y electrónicos. Por favor, consulte a las autoridades locales para conocer estos puntos de recogida.

Cumple con la Directiva RoHS:

El producto que ha adquirido cumple con la directiva RoHS de la UE (2011/65/UE). No contiene materiales peligrosos ni prohibidos especificados en la Directiva.

1.4 Información de embalaje



El embalaje del producto está fabricado con material reciclable de acuerdo con las normativas nacionales sobre medio ambiente. No se deshaga del material de embalaje ni de los desechos domésticos o de otro tipo. Llévelos a los puntos de recogida de material de embalaje designados por las autoridades locales.

2 Requisitos eléctricos y de instalación

2.1 Requisitos eléctricos



Cumpla todas las normativas y ordenanzas gubernamentales.

Es responsabilidad del cliente:

Ponerse en contacto con un instalador eléctrico cualificado. Asegurarse de que la instalación eléctrica es adecuada y en conformidad con National Electrical Code, ANSI/NFPA 70 (última edición*) o CSA Standards C22.1-94, Canadian Electrical Code, Parte 1 y C22.2 No.0-M91 (última edición*) y toda la normativa y las ordenanzas locales.

- Si la normativa lo permite y se utiliza un cable de toma a tierra independiente, se recomienda que un electricista cualificado determine si la difracción de onda de tierra es la adecuada.
- No ubique la toma a tierra en una tubería de gas.
- Si no está seguro de que la campana está correctamente conectada a tierra, consulte a un electricista cualificado.
- No coloque ningún fusible en el circuito neutral o con vuelta por tierra.



Guarde las instrucciones de instalación para su uso por parte del inspector de electricidad.



La campana debe estar conectada únicamente con hilo de cobre.



La campana debe estar conectada directamente al desconector con fusible (O disyuntor) mediante canal metálico de cables eléctricos.

National Electrical Code, ANSI/NFPA 70 (última edición*) o CSA Standards C22.1-94, Canadian Electrical Code, Parte 1 y C22.2 No.0-M91 (última edición*) y toda la normativa y las ordenanzas locales.

Es preciso colocar un conector de canal de cables enumerado en U.L. o C.S.A. en cada extremo del canal de cables de fuente de alimentación

(En la campana y en la caja de conexiones).

Se pueden obtener copias de los estándares enumerados en:

* National Fire Protection Association
Battery March Park Quincy, Massachusetts 02269

** CSA International 8501 East Pleasant Valley
Road Cleveland, Ohio 44131-5575

2.2 Antes de instalar la campana

1. Para obtener una circulación del flujo de aire más eficaz, utilice un tubo de tramo recto o el menor número posible de tubos acodados.



El conducto de ventilación solamente debe tener salida hacia la parte exterior del edificio.

2. Para realizar la instalación, se necesitan al menos dos personas.
3. La campana se ajusta mediante tornillos y anclajes de tabique aislante adecuados para la mayoría de superficies; consulte a un instalador cualificado para comprobar si quedan perfectamente ajustados al armario o a la pared.
4. No emplee tubos flexibles.
5. Las instalaciones en CONDICIONES CLIMÁTICAS FRÍAS deben tener instalado un regulador de contratiro adicional para minimizar el flujo de aire inverso y una rotura térmica no metálica para minimizar la conducción de temperaturas externas como parte de los tubos. El regulador debe encontrarse en la parte de aire frío de la rotura térmica. La rotura debe estar lo más cerca posible al lugar donde los tubos entran en la parte caliente de la casa.
6. Aire limpio: Las normativas locales para edificios pueden requerir el uso de sistemas de aire limpio cuando se utilizan sistemas de ventilación mediante tubos superiores al CFM especificado de movimiento de aire. El CFM especificado varía de una zona a otra. Para conocer los requisitos específicos de su zona, consulte a un profesional de HVAC.

3 Especificaciones técnicas de su aparato

3.1 Lista de materiales

3.1.1 Piezas suministradas

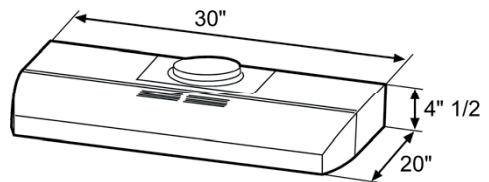
- Campana ensamblada con transición redonda de metal
- Transición rectangular de metal con válvula de no retorno
- Manual de uso y cuidado
- 2 filtros
- Tornillos de instalación

3.1.2 Piezas no suministradas

- Tubos, cables y todas las herramientas necesarias para la instalación
- Kit Recirculante solamente para versión sin ductos (Recirculante)
- incluye: filtro de carbón.

	BCHS30100SS
Funcionamiento	convertible: con conducto/recirculado
Máx. Capacidad de ventilación	240 CFM
Nº de Velocidades	3
Controles	Interruptores táctiles electrónicos
Luces	Halógeno de 50 W 2 Ud.
Filtro	Mallas de aluminio 2 Ud.
Voltios	120 V
Frecuencia:	60 Hz
Potencia total (motor + lámparas)	260 W
Tipo de enchufe	Cable duro
Distancia necesaria encima del anafe	30" (anafe a gas)
	24" (anafe eléctrico)

3.2 Dimensiones y Espacios libres



3 Especificaciones técnicas de su aparato

3.3 Tipos de ductos y ejemplos

Siga detenidamente las instrucciones expuestas en este manual.

Se declina toda responsabilidad de cualquier inconveniencia, daños o incendios eventuales ocasionados por el incumplimiento de las instrucciones de este manual.

3.3.1 Métodos de ventilación

Descarga de los gases de combustión

La campana ha sido diseñada para una descarga vertical u horizontal o puede ser instalada en una versión de recirculación sin conducto:

Descarga vertical:

Usar un conducto rectangular 3 1/4" x 10" o un conducto redondo de 7"

Descarga horizontal:

Usar un conducto rectangular de 3 1/4" x 10"

Recirculación (sin conducto de descarga)



Sólo para versión sin tubos (Recirculante); adquiera el kit de conversión sin tubos. Tamaño mínimo de tubo (Versión con o sin tubos): Tubería redonda de 7".



Recirculación



Descarga Vertical



Descarga Horizontal

3 Especificaciones técnicas de su aparato

3.4 Preparación

No corte una vigueta o un perno a menos que sea absolutamente necesario. Si fuera necesario efectuar el corte, deberá construirse un marco de soporte.

Se suministra el material de ajuste necesario para fijar la campana a la mayoría de tipos de muro o techo.

No obstante, un técnico cualificado debe comprobar la idoneidad de los materiales de acuerdo con el tipo de muro o techo.

Antes de efectuar ningún corte, asegúrese de existe espacio libre adecuado en el techo o muro para la expulsión del aire.

La altura de instalación sobre la superficie de cocción es a preferencia del usuario. Cuando más cerca este la campana de la superficie de cocción, más eficaz resultara la captura de olores, grasa y humo.



Para la instalación sobre estufas de gas: instale esta campana de tal manera que la cornisa inferior se encuentre a 30" (76,2 cm) sobre la superficie de cocción.

Para la instalación sobre estufas eléctricas: instale esta campana de tal manera que la cornisa inferior se encuentra a no menos de 24" (61 cm) y no más de 30" (76,2 cm) sobre la superficie de cocción.

Para uso electrodoméstico. Por favor, lea el manual de instalación para una instalación específica.

Antes de seleccionar la campana, compruebe la altura del techo y la altura máxima de la campana.

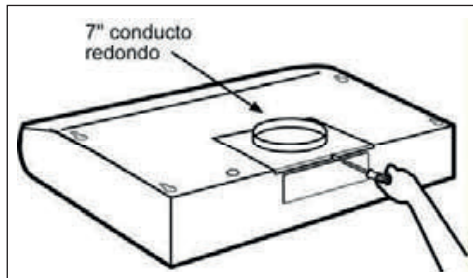
4 Instalación de su aparato

4.1 Instalación - Versión con tubos

Después de haber escogido la opción de descarga, proceder como sigue:

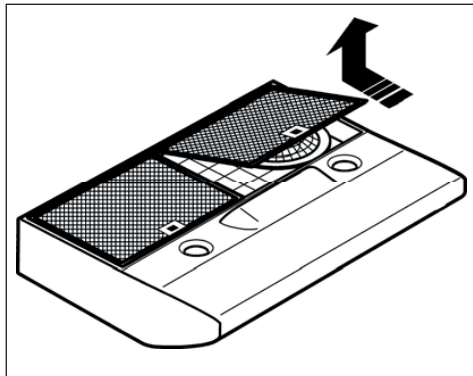
Paso 2

Quitar la transición redonda de su lugar, destornillando sus tornillos (guardar los tornillos).



Paso 3

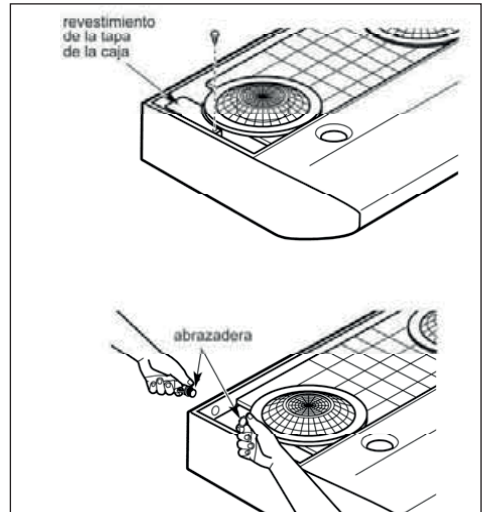
Quitar los filtros de grasa



Paso 4

Remover la tapa de la caja de conexiones.

Remover el precorte superior o posterior de la campana según la instalación deseada y coloque una abrazadera.



Paso 5

Quitar las piezas removibles del conducto usando un destornillador plano y un martillo pequeño.

De unos pequeños golpes para remover la cubierta, utilizando el martillo y el destornillador de forma similar a la que se hace con un cincel.

Ponga atención a los filos cortantes.

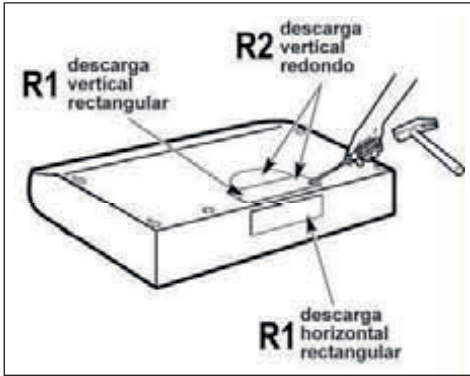


Si se piensa usar la campana en versión de recirculación, no quitar ninguna pieza removible del conducto y pedir el filtro de carbón necesario a su proveedor.

R1 = Quitar sólo las piezas removibles del conducto rectangular.

R2 = Quitar sólo las piezas removibles de los conductos rectangulares y semicirculares.

4 Instalación de su aparato



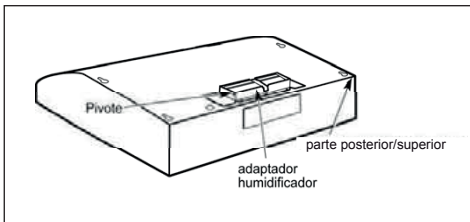
Paso 6

Sólo para las instalaciones de descarga con conducto rectangular (de otra manera pasar al siguiente paso)

Instalar la transición rectangular sobre el precorte con tres tornillos. Asegurese que el pivote quede ubicado hacia la parte posterior o superior de la campana.



La transición se puede colocar hasta 1" del centro de la campana para acomodarse a instalaciones descentradas. En instalaciones extremadamente descentradas, un lado de la transición deberá ser recortada para evitar interferencias con la abrazadera del cable.

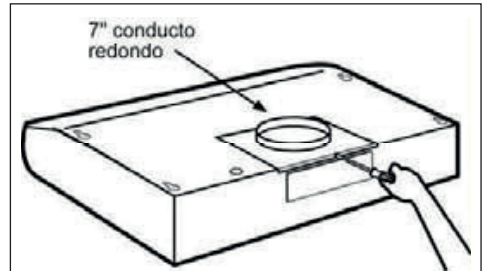


Paso 7

Sólo para las instalaciones de descargas de conductos redondos Re-instalar la transición redonda con sus tornillos.



La transición se puede colocar hasta 1" del centro de la campana para acomodarse a instalaciones descentradas. En instalaciones extremadamente descentradas, un lado de la transición deberá ser recortada para evitar interferencias con la abrazadera del cable.



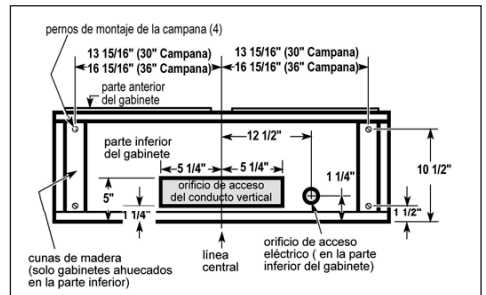
Paso 8

Marcar los orificios

Seleccionar la opción de descarga que requiere su instalación y proceder a esa sección:

Extractor superior exterior

(Conducto vertical - 3 1/4" x 10" Rectangular) Usar el diagrama o la campana como plantilla y marque en el gabinete la ubicación del ducto, cableado eléctrico y puntos de sujeción.

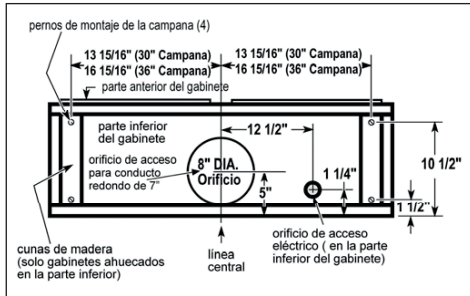


4 Instalación de su aparato

Extracción superior al exterior

(Conducto vertical- 7" Redondo)

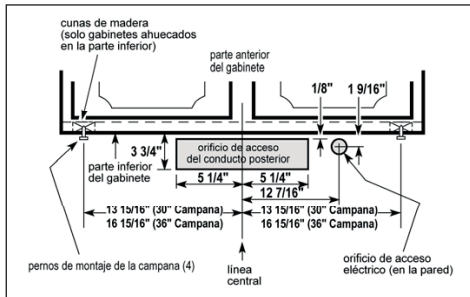
Usar el diagrama o la campana como plantilla y marque en el gabinete la ubicación del ducto, cableado eléctrico y puntos de sujeción.



Extracción posterior al exterior

(Conducto Horizontal 3 1/4" x 10" Rectangular)

- Usar el diagrama o la campana como plantilla y marque en el gabinete la ubicación del ducto, cableado eléctrico y puntos de sujeción.



Recirculante

(Conducto Horizontal 3 1/4" x 10" Rectangular)

Use el diagrama o la campana como plantilla y marque en el gabinete la ubicación del cableado eléctrico y puntos de sujeción.

Ya que la campana será recirculante (sin ventilación al exterior), no realice los cortes en las paredes o gabinetes.

Paso 9

Escoger la Opción de Descarga:

La campana puede ser ajustada para dar salida hacia afuera o hacer circular el aire en la cocina.

La palanca plástica de salida de ventilación se localiza cerca del centro de la abertura de la campana. Para la descarga al exterior, asegurarse que la palanca plástica de salida de ventilación esté en la posición HORIZONTAL (orientada hacia el panel de lámparas)

Para recircular el aire en la cocina, asegurarse que la palanca plástica de salida de ventilación esté en la posición VERTICAL (orientada hacia la cubierta plástica del motor)



Para mover la palanca de ventilación, necesitará jalarla un poco hacia fuera para que libere las lenguetas plásticas.



Paso 10

Sólo para gabinetes huecos:

Si los gabinetes tienen perfiles frontales, laterales o posteriores, hacer 2 soportes de madera con el ancho del perfil y ensamblelos a ambos lados de la parte inferior del gabinete. Ver la página anterior para marcar los puntos de instalación.

4 Instalación de su aparato



Paso 11

Cortar los agujeros en los puntos marcados para el conducto y la instalación eléctrica. Para el conducto vertical, recorte 3 / 4" extra hacia el frente del gabinete para poder mover el conducto libremente al instalar la campana. Al mismo tiempo facilita la instalación cortando el agujero a 10 1/2" en vez de 10

Paso 12

Atornillar un tornillo de montaje parcialmente en el centro de la parte angosta de los orificios de instalación marcados en la parte inferior del gabinete.

Paso 13

Fije el cableado de la casa a la campana.

Paso 14

Deslice la campana hacia la pared. Apriete los tornillos de montaje, asegúrese que la cabeza de los tornillos estén en la parte angosta de los orificios de instalación. Conecte el ducto a la campana.

Paso 15

Conexión eléctrica



Peligro de descarga eléctrica

Antes de realizar el cableado de este aparato, desactive el circuito de energía eléctrica en el panel de servicio.

Se requiere un circuito 120 VAC, 15 ó 20 A.

Instrucciones de toma eléctrica

Este aparato dispone de una caja de conexiones eléctricas con 3 cables, uno de los cuales (verde y amarillo) sirve como toma de tierra para el aparato para protegerse de descargas eléctricas, el cable verde y amarillo debe estar conectado al cable de toma a tierra de su sistema doméstico de electricidad y bajo ninguna circunstancia debe cortarse o eliminarse.

De lo contrario, podría tener como resultado una descarga eléctrica o la muerte.

Retire el pestillo extraíble y la tapa de la caja de conexiones e instale el conector de canal de cables (Enumerado en cULUS) en la caja de conexiones.

Coloque 3 cables (Negro, blanco y verde) de acuerdo con el National Electrical Code y la normativa y las ordenanzas locales en el canal de cables de 1/2" del panel del servicio a la caja de conexiones.

Conecte el cable negro del panel de servicio al cable negro o rojo de la caja de conexiones, el cable blanco al blanco y el verde al verde-amarillo.

Cierre la tapa de la caja de conexiones.

Paso 16

Últimos pasos para la instalación:

Reemplazar los filtros.

Controlar el funcionamiento de la campana.

Si la campana extractora no funciona:

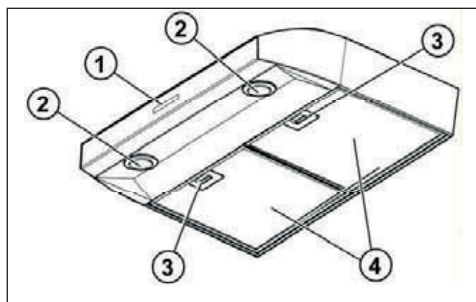
- Compruebe si el disyuntor está desconectado o se han fundido los fusibles.
- Desconecte el suministro eléctrico. Compruebe si el cableado es correcto.

Para conseguir el funcionamiento más eficaz de la nueva campana extractora, lea la sección "Uso y mantenimiento".

Para disponer de una referencia sencilla, siga las Instrucciones de instalación y la Guía de uso y mantenimiento.

5 Funcionamiento de su aparato

5.1 Descripción de la campana y los controles

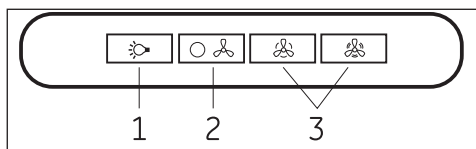


1. Aspirador y controles de las luces
2. Lámpara halógena
3. Manija del filtro de grasa
4. Filtro de grasa

5.1.1 Controles

Usar la potencia de aspiración mayor en caso de particular concentración de vapores de cocina. Aconsejamos de encender la aspiración 5 minutos antes de iniciar a cocinar y dejarla en función por otros 15 minutos aproximadamente.

5.1.2 Descripción del panel de control



1. ON/OFF Luz
2. ON/OFF general y velocidad 1.
3. ON/OFF, velocidad 2 y velocidad 3.

6 Limpieza y mantenimiento

6.1 Mantenimiento



Antes de cualquier operación de limpieza o mantenimiento, quite la campana de la red eléctrica desconectando el enchufe o desconectando el interruptor general de la casa.



Or if the appliance has been connected through a plug and socket, then the plug must be removed from the socket.

6.2 Limpieza

- No aplique limpiadores directamente al control durante la limpieza de la campana. La campana debe ser limpiada con frecuencia tanto externamente como internamente (con la misma frecuencia con la que se realiza el mantenimiento de los filtros de grasa). Para la limpieza, utilice un paño impregnado de detergente líquido neutro. No utilice productos que contengan abrasivos. **¡NO UTILICE ALCOHOL!**



De no observarse las instrucciones dadas para limpiar el aparato y sustituir el filtro, puede producirse un incendio.

- El fabricante recomienda leerlas y respetarlas atentamente.
- El fabricante no se hace responsable por los daños al motor o los incendios provocados en el aparato debido a intervenciones de mantenimiento incorrectas o al incumplimiento de las normas de seguridad proporcionadas.

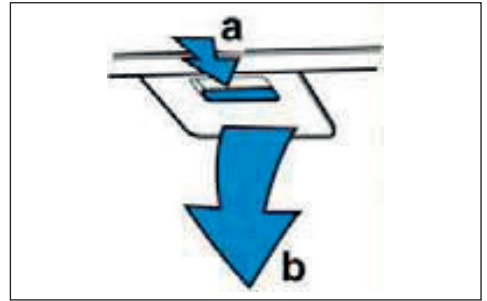
6.3 Filtro contra la grasa

Retiene las partículas de grasa producidas cuando se cocina.

Debe limpiarse una vez al mes con detergentes no agresivos, manualmente o bien en lavavajillas a bajas temperaturas y con ciclo breve.

Con el lavado en el lavavajilla el filtro antigrasa metálico puede desteñirse pero sus características de filtrado no cambian absolutamente.

Para desmontar el filtro antigrasa, tirar de la manija como se muestra.



6.4 Sustitución de la bombilla

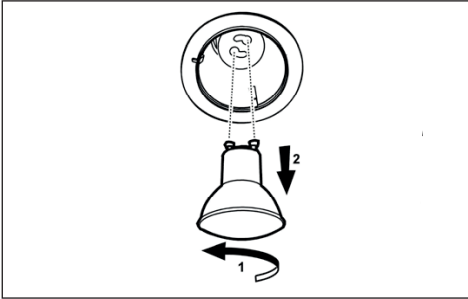


Antes de reemplazar las lámparas, el interruptor debe estar apagado y bloquear el panel, para evitar que se pueda encender accidentalmente.



Apagar las luces y el ventilador. Las luces deben enfriarse antes de volver a usarlas. Si las nuevas luces no funcionan, asegurarse que las luces estén insertadas correctamente antes de llamar al servicio de asistencia al cliente.

6 Cleaning and maintenance



Reemplazar las Luces

- Quitar la luz dañada (gitar la lámpara en sentido contrario a las manecillas del reloj) y reemplazar con una nueva luz halógena de 120 V, 50, (máximo) 50° para una base de GU10, apropiado para el uso en luminarias abiertas.

6.5 Filtros de Carbón

- Si el modelo no tiene una salida hacia el exterior, el aire, recirculará a través de los filtros de carbón vegetal disponibles, que ayudan a quitar humos y olores. Los filtros de carbón no pueden limpiarse.
- Deben ser reemplazados.
- Los filtros de carbón vegetal se sujetan dentro de cada filtro de grasa de metal (las instrucciones de montaje están incluidas con el equipo).
- Los filtros de carbón vegetal deben ser reemplazados después de 4-6 meses, dependiendo, del uso de la campana).



NO enjuagar, o poner los filtros de carbón vegetal en un lavaplatos automático.



Los filtros de carbón vegetal no son incluidos con la campana.

- Deben ser pedidos al proveedor.
- Pedir el equipo necesario específico para el modelo de la campana y respetar el tamaño de la anchura.

6.6 Colocación del Filtro de Carbón (Accesorios Recirculación)

- Posicione el filtro de carbón sobre la parte superior de cada filtro de grasa.
- Use los seguros para ajustarlo en su lugar.



Cuando se quita para sustituirlo por uno nuevo no quite los seguros, simplemente extraiga uno y rotar hacia fuera.



Declaración De Garantía Para Aparatos De Cocina Blomberg

Las garantías proporcionadas por Blomberg en estas declaraciones sólo se aplican a los aparatos de cocina Blomberg (hornos de pared / encimeras) vendidos al comprador original o propietario doméstico en EE.UU. y Canadá. La garantía no es transferible. Para obtener el servicio en garantía, póngase en contacto con nuestro distribuidor más cercano, según se muestran en la lista por estados. Necesitará el número de modelo, número de serie, nombre y dirección del comercio donde haya adquirido el producto (horno de pared / encimera) y la fecha de compra / fecha de instalación. Esta garantía le confiere derechos legales específicos, y usted puede tener otros derechos que varían entre los diferentes estados.

De acuerdo con la garantía limita de un 1 año* a partir de la fecha de la primera instalación, Blomberg reparará o sustituirá, sin coste alguno para el consumidor, las piezas defectuosas de los aparatos de cocina (hornos de pared / encimeras) si se utilizan bajo condiciones domésticas normales (la garantía queda anulada si se da al producto un uso comercial). El servicio será prestado por un servicio técnico autorizado de Blomberg, **de lo contrario, la garantía quedará anulada**. (Deberá informar de los defectos cosméticos en un plazo no superior a 10 días tras la instalación)

De acuerdo con la garantía limitada de 2 años * ++ a partir de la primera instalación (sólo piezas), Blomberg reparará o sustituirá cualquier pieza sin coste alguno para el consumidor si defectos en los materiales o mano de obra han causado el daño o fallo de estos componentes. De nuevo, el aparato deberá utilizarse bajo condiciones domésticas normales y no comerciales, como se ha indicado anteriormente (los gastos de mano de obra son responsabilidad del consumidor)

Renuncia a las garantías y exclusiones: la garantía no cubre los costes de servicio de un servicio técnico autorizado para corregir la instalación, problemas eléctricos o impartir instrucciones en relación con el uso de los aparatos de cocina (hornos de pared / encimeras). La garantía tampoco cubre defectos o daños causados por una circunstancia de causa mayor (por ejemplo, tormentas, inundaciones, incendios, avalanchas de lodo, etc.), los daños causados por el uso de los aparatos de cocina (hornos de pared / encimeras) para fines diferentes de aquellos para los que han sido diseñados, usos indebidos, abusos, accidentes, alteraciones, instalación o mantenimiento inadecuados, gastos de desplazamiento, llamadas de servicio fuera de los horarios normales de trabajo, trabajos o trabajos de servicios no autorizados.

Este producto ha sido totalmente probado y se ha sometido a inspecciones de aseguramiento de calidad oficiales antes de su salida desde el emplazamiento de fabricación original. Las condiciones de garantía para este aparato Blomberg no tendrán validez si el producto ha sido alterado o modificado, si se han añadido piezas adicionales, ha sido fijado o reembalado por un distribuidor autorizado, personal de mantenimiento, terceros, revendedores o cualquier otra persona o personas no autorizadas.

EN EL GRADO PERMITIDO POR LA LEY, ESTA GARANTÍA SUSTITUYE A CUALQUIER OTRA GARANTÍA EXPRESA O IMPLÍCITA, INCLUIDAS LAS GARANTÍAS IMPLÍCITAS DE COMERCIABILIDAD Y ADECUACIÓN PARA UN FIN PARTICULAR. BLOMBERG NO ACEPTA NINGUNA RESPONSABILIDAD SOBRE LA CALIDAD DE ESTE PRODUCTO, A EXCEPCIÓN DE LO EXPRESADO EN ESTA DECLARACIÓN DE GARANTÍA. BLOMBERG NO ASUME NINGUNA RESPONSABILIDAD SOBRE LA ADECUACIÓN DEL PRODUCTO PARA CUALQUIER FIN PARTICULAR PARA EL QUE SE ADQUIERA, A EXCEPCIÓN DE LO EXPRESADO EN ESTA DECLARACIÓN DE GARANTÍA.

Blomberg no asume ninguna responsabilidad sobre los daños incidentales o consecuenciales. Tales daños incluyen, aunque no limitado a ellos, la pérdida de beneficios, pérdidas de ahorros o ingresos, pérdida de uso del aparato o cualquier equipo asociado, costes de capital, costes de cualquier equipo, instalación o servicio de sustitución, tiempos de parada, reclamaciones de terceros y daños materiales. Algunos estados no permiten la exclusión o limitación de daños incidentales o consecuenciales y, por está razón, las citadas limitaciones o exclusiones pueden no ser aplicables en su caso particular.

* la fecha de instalación hará referencia a la fecha de compra o 5 días hábiles tras la entrega del producto en la vivienda, la que sea posterior.

++Las piezas sustituidas asumirán la identidad de las piezas originales + su garantía original.

Ninguna otra garantía. Esta Declaración de garantía es la garantía completa y exclusiva del fabricante. Ningún empleado de Blomberg o cualquier otra persona tienen autoridad para realizar ninguna declaración de garantía además de las incluidas en esta Declaración de garantía. Guarde esta tarjeta de garantía, el manual de usuario y el justificante de venta.

CÓMO SOLICITAR ASISTENCIA TÉCNICA

Póngase en contacto con el Distribuidor de su estado o provincia, consultando la Lista de contacto de distribuidores, o llame al número gratuito 1 800 459 9848 donde le indicarán como ponerse en contacto con un Servicio Técnico Autorizado de Blomberg. 02 01

Avant d'utiliser l'appareil, veuillez lire ce manuel !

Cher client !

Merci d'avoir choisi les produits Blomberg. Nous espérons que ce produit, fabriqué dans des installations modernes et soumis à un processus de contrôle qualité rigoureux, vous offre les meilleures performances possibles. C'est pourquoi nous vous recommandons, avant d'utiliser ce produit, de lire attentivement ce manuel et tous les autres documents fournis et de les conserver soigneusement pour toute consultation future. Si vous confiez le produit à quelqu'un d'autre, n'oubliez pas de lui remettre également le manuel d'utilisation. Veuillez à bien respecter les consignes et les instructions figurant dans le manuel d'utilisation.

N'oubliez pas que ce manuel d'utilisation s'applique aussi à plusieurs autres modèles d'appareils. Les différences entre un modèle et un autre sont clairement exposées dans le manuel.

Signification des pictogrammes

Les symboles suivants sont repris tout au long de ce manuel:



Informations importantes et conseils utiles sur l'utilisation de l'appareil.



AVERTISSEMENT : Avertissement sur les situations dangereuses concernant la sécurité des biens et des personnes.



Avertissement contre le risque d'électrocution.



Avertissement en cas de contact avec une surface brûlante.



Ce produit a été fabriqué dans les usines modernes respectueuses de l'environnement.



TABLE DES MATIÈRES

1 Instructions importantes en matière de sécurité et d'environnement	40	6 Nettoyage et entretien	54
1.1 Consignes générales de sécurité.....	40	6.1 Entretien	54
1.1.1 Sécurité électrique.....	40	6.2 Nettoyage.....	54
1.1.2 Sécurité du produit	41	6.3 Filtre à graisse.....	54
1.2 Utilisation préconisée	43	6.4 Remplacement des ampoules	54
1.3 Conformité avec la directive DEEE et mise au rebut du produit usagé.....	43	6.5 Filtres à charbon	55
1.4 Information sur l'emballage.....	43	6.6 Placement du filtre au charbon (Accessoires de recyclage d'air)	55
2 Exigences électriques et exigences d'installation	44	6 Nettoyage et entretien	55
2.1 Exigences électriques.....	44	7 Garantie	56
2.2 Avant d'installer la hotte	44		
3 Spécifications techniques de votre appareil	45		
3.1 Liste des pièces	45		
3.1.1 Pièces fournies.....	45		
3.1.2 Pièces non fournies.....	45		
3.2 Dimensions et Dégagement	45		
3.3 Exemples et possibilités de positionnement des conduits	46		
3.3.1 Méthodes de ventilation	46		
3.4 Préparation	47		
4 Installation de votre appareil	48		
4.1 Installation - Version à conduit.....	48		
5 Fonctionnement de votre appareil	53		
5.1 Description de la hotte et des commandes.....	53		
5.1.1 Commandes	53		
5.1.2 Description du panneau de commandes	53		

Cette section contient les consignes de sécurité qui aident à se prémunir contre les risques de dommages corporels ou de dégâts matériels. Le non-respect de ces consignes annule la garantie.

1.1 Consignes générales de sécurité

- Les procédures d'installation et de réparation doivent toujours être mises en application par un agent de service agréé. Le fabricant ne saurait être tenu responsable des dommages découlant des procédures effectuées par des personnes non autorisées.
- Ce produit n'a pas été prévu pour être utilisé par des personnes (notamment les enfants) dont les capacités physiques, sensorielles ou mentales sont réduites, ou n'ayant pas suffisamment d'expérience ou de connaissances. Les enfants doivent toujours être surveillés pour s'assurer qu'ils ne jouent pas avec l'appareil.

1.1.1 Sécurité électrique

- Débranchez toujours l'appareil du secteur pendant les procédures d'installation, d'entretien, de nettoyage et de réparation.

- Si le câble d'alimentation est défectueux, faites-le remplacer par une personne qualifiée agréée par le fabricant, le service après-vente ou assimilé (de préférence un électricien) ou une personne identifiée par l'importateur.
- La tension de fonctionnement est de 220 à 240 volts.
- Si l'appareil est défectueux, il ne doit pas être utilisé à moins d'être réparé par un agent de service agréé. Il y a risque d'électrocution !
- Ne faites pas passer le câble électrique près des tables de cuisson. Autrement, il pourrait fondre facilement et causer un incendie.
- Ne branchez jamais la hotte avant la fin de l'installation.
- Afin d'obtenir les meilleurs résultats, le conducteur externe ne doit pas être supérieur à 4 m. Il ne doit pas contenir plus de 2 angles (90 °) perpendiculaires et son diamètre doit être de 120 mm minimum.
- Débranchez l'appareil du secteur avant toute intervention sur les pièces internes.
- Utilisez l'appareil uniquement avec une prise de terre.

1.1.2 Sécurité du produit

- Vous pouvez utiliser un tuyau de 120 mm ou 150 mm de diamètre sur le raccordement au conduit de cheminée de la hotte.
 - N'effectuez aucun raccordement sur les conduits de cheminée connectés aux cuisinières, aux conduits d'évacuation ou aux conduits de cheminée à flammes montantes. Respectez les règles concernant l'évacuation d'air définies par les autorités.
 - La hauteur entre la surface inférieure de la hotte et la surface supérieure de la cuisinière/ four ne doit pas être inférieure à 50 cm pour les tables de cuisson à gaz et à 45 cm pour les tables de cuisson électriques.
 - N'utilisez pas la hotte sans filtres en aluminium et ne les retirez pas lorsqu'elle est en fonctionnement.
 - Ne touchez jamais les ampoules de la hotte après une longue durée de fonctionnement. Elles pourraient vous brûler les mains puisqu'elles sont chaudes.
 - Évitez les grandes flammes sous l'appareil.
- Autrement, les particules du filtre à huile pourraient s'enflammer et causer un incendie.
- Allumez les tables de cuisson après y avoir déposé les poêles ou les casseroles. Sinon, la chaleur élevée pourrait déformer certaines pièces de votre appareil.
 - Éteignez les tables de cuisson avant d'y retirer les poêles et les casseroles.
 - Évitez de laisser les matériaux inflammables sous la hotte.
 - De l'huile pourrait s'enflammer lors des fritures. Alors, faites attention aux torchons et aux rideaux.
 - Ne laissez jamais la plaque de cuisson sans surveillance lors des fritures ; autrement, de l'huile chaude pourrait causer un incendie.
 - Il y a risque d'incendie si votre hotte n'est pas nettoyée à des périodes spécifiques.
 - Faites très attention et portez des gants pendant le nettoyage de la hotte.
 - Il est conseillé de faire fonctionner la hotte pendant quelques minutes avant de commencer la cuisson afin d'augmenter la puissance d'aspiration.

Ainsi, la puissance d'aspiration sera continue et stable lors de l'échappement des vapeurs.

- Laissez fonctionner la hotte pendant 15 minutes supplémentaires à la fin de la cuisson ou de la friture afin de débarrasser la cuisine des odeurs de vapeur.
- Lorsque la hotte est en fonctionnement, simultanément avec les tables de cuisson de cuisson à gaz, assurez-vous que l'environnement est aéré.
- Faites attention de ne pas raccorder l'appareil aux conduits de cheminée utilisés par les appareils non électriques. (Exemple : Conduit de l'élément chauffant).
- Le fonctionnement simultané et sécurisé de la hotte et d'un autre appareil nécessitant de l'air n'est possible que lorsqu'une basse pression de 4 Pa (0,04 mbar) est garantie ; ainsi, la réabsorption du gaz est évitée. Ceci n'est possible que grâce à l'air venant d'ouvertures non couvertes (porte, fenêtre, ouvertures d'aération ou autres mesures techniques). Assurez-vous par dessus tout que le débit d'air est suffisant.

Une cheminée ne fournissant pas suffisamment d'entrée et de sortie d'air ne convient pas à cette utilisation.

1.1.3 Sécurité des enfants

- Les matériaux d'emballage sont dangereux pour les enfants. Conservez-les en lieu sûr, hors de la portée des enfants.
- Les appareils électriques sont dangereux pour les enfants. Tenez les enfants à l'écart de l'appareil. Ne les laissez pas jouer avec l'appareil.
- Cet appareil peut être utilisé par les enfants âgés de 8 ans ou plus et par les personnes à capacités physiques, sensorielles ou mentales réduites ou qui n'ont pas les connaissances et l'expérience, tant qu'ils sont surveillés dans l'utilisation sécuritaire du produit ou s'ils sont instruits en conséquence ou comprennent les risques de l'utilisation du produit. Les enfants ne doivent pas jouer avec l'appareil.
- **AVERTISSEMENT** : Les pièces accessibles peuvent être chaudes lorsqu'elles sont utilisées avec un appareil de cuisson.

1.2 Utilisation préconisée

- Le présent appareil a été conçu à des fins domestiques. Il n'est pas adapté pour un usage commercial, et ne doit pas être utilisé à des fins autres que celles prévues.
- La responsabilité du fabricant ne saurait être engagée en cas d'utilisation ou de manipulation inadaptée.
- La durée de vie de votre appareil est de 10 ans. Il s'agit de la période nécessaire pour la disponibilité des pièces de rechange pour le fonctionnement correct de l'appareil.
- **AVERTISSEMENT:** Le non respect des instructions du présent manuel fournies pour la fixation des vis peut présenter des risques électriques.

1.3 Conformité avec la directive DEEE et mise au rebut du produit usagé



Cet appareil est conforme à la directive DEEE (2012/19/UE). Cet appareil porte le symbole de classification pour les déchets des équipements électriques et électroniques (DEEE).

Le présent appareil a été fabriqué avec des pièces et du matériel de qualité supérieure susceptibles d'être réutilisés aux fins de recyclage. Ne mettez pas l'appareil usagé au rebut avec des déchets domestiques et autres déchets, à la fin de sa durée de vie. Déposez-le dans un point de collecte réservé au recyclage d'appareils électriques et électroniques. Veuillez contacter les autorités locales pour connaître l'adresse de ces points de collecte.

Conformité avec la directive RoHS :

L'appareil que vous avez acheté est conforme à la Directive RoHS de l'UE (2011/65/UE). Il ne contient pas de matières dangereuses et interdites spécifiées dans la Directive.

1.4 Information sur l'emballage



L'emballage du produit est fait à partir de matériaux recyclables, conformément à notre réglementation nationale. Ne jetez pas les éléments d'emballage avec les déchets domestiques et autres déchets. Déposez-les dans un des points de collecte d'éléments d'emballage que vous indiquera l'autorité locale dont vous dépendez.

2 Exigences électriques et exigences d'installation

2.1 Exigences électriques



Respectez tous les codes et les ordonnances en vigueur.

Le client a la responsabilité de :

Contactez un électricien-installateur. Vérifier que l'installation électrique est adéquate et conforme avec le Code national de l'électricité, ANSI/NFPA 70 (la plus récente édition*), ou les normes C22.1-94, Code canadien de l'électricité, Partie 1 et C22.2 No.0-M91 (La plus récente édition**) de la CSA, ainsi que tous les codes et les ordonnances de votre région.

- Si le code le permet et que vous utilisez un fil de mise à la terre distinct, il est recommandé de faire vérifier le chemin du fil par un électricien.
- Ne pas mettre l'appareil à la terre sur une conduite de gaz.
- Consultez un électricien qualifié si vous n'êtes pas certain que la hotte est mise à la terre correctement.
- N'installez pas un fusible dans le circuit neutre ou le circuit de mise à la terre.



Conservez ces instructions afin de pouvoir les remettre à l'inspecteur-électricien.



La hotte doit être câblée uniquement à l'aide de fils de cuivre.



Il faut raccorder la hotte directement à une boîte à fusible ou à un disjoncteur par l'entremise d'une canalisation électrique en métal.

Le calibre de fil doit être conforme aux exigences du Code national de l'électricité, ANSI/NFPA 70 (La plus récente édition*), ou les normes C22.1-94, Code canadien de l'électricité, Partie 1 et C22.2 O-M91 (La plus récente édition**) de la CSA, ainsi que tous les codes et les ordonnances de votre région.

Il faut prévoir un connecteur de canalisation approuvé par l'UL ou la CSA à chaque extrémité de la canalisation d'alimentation (à la hotte et à la boîte de jonction).

Vous pouvez obtenir un exemplaire des normes indiquées en vous adressant à :

* La National Fire Protection Association, Batterymarch Park Quincy, Massachusetts, 02269

** La CSA International, 8501 East Pleasant Valley Road, Cleveland, Ohio, 44131-5575

2.2 Avant d'installer la hotte

1. Pour assurer la ventilation la plus efficace possible, installez la conduite en ligne droite ou avec le moins de coudes possibles.



ATTENTION : La sortie de la conduite de ventilation doit donner sur l'extérieur.

2. Deux personnes sont nécessaires pour effectuer l'installation.
3. La hotte comporte des vis et des ancrages pour mur sec adaptés à la plupart des types de surface; consultez un installateur qualifié pour vous assurer que la quincaillerie fournie est adaptée à votre type de mur ou d'armoire.
4. N'utilisez pas de conduit flexible.
5. Dans le cas des endroits sujets aux TEMPÉRATURES FROIDES, il faut installer un clapet de contre-tirage supplémentaire afin de minimiser le retour d'air froid et un isolant thermique non métallique afin de minimiser la conduction de la température extérieure dans le conduit. Il faut placer le clapet du côté de l'air froid de l'isolant thermique. L'isolant doit être placé le plus près possible de l'endroit où le conduit entre dans la partie chauffée de la maison.
6. Air d'appoint : Le code du bâtiment de votre région peut exiger l'utilisation d'un système d'air d'appoint si vous utilisez un système de ventilation à conduit dont le mouvement d'air dépasse un certain nombre de CFM. Le nombre de pi³/min varie d'une région à l'autre. Consultez un professionnel de CVC pour connaître les exigences précises de votre région.

3 Spécifications techniques de votre appareil

3.1 Liste des pièces

3.1.1 Pièces fournies

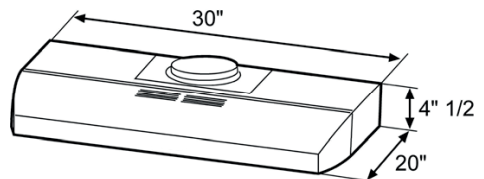
- Le corps de la hotte assemblé et le raccord métallique circulaire en place.
- Un raccord métallique rectangulaire avec soupape de tirage
- Manuel d'entretien et utilisation/ Manuel d'installation • 2 filtres
- Vis de montage.

3.1.2 Pièces non fournies

- Conduit, canalisation et tous les outils nécessaires à l'installation.
- Trousse de conversion en hotte à recyclage à utiliser seulement avec la version sans conduit (À recyclage)
- Comprend : filtre au charbon

	BCHS30100SS
Type d'Evacuation Possible	Evacuation Extérieure ou Recyclage
Puissance d'Aspiration (max.)	240 CFM
Nombre de Vitesse	3
Commande	Contrôle Electronique - Bouton
Eclairage et Puissance des Lampes	2 x 50W Halogenes
Filtre	2 x Aluminum Cassettes
Volts	120 V
Fréquence	60 Hz
Puissance Totale (moteur + éclairage)	260 W
Type de Connecteur	Hard Wire
Distance Nécessaire au-Dessus de la Table de Cuisson	30" (gaz)
	24" (électrique)

3.2 Dimensions et Dégagement



3 Spécifications techniques de votre appareil

3.3 Exemples et possibilités de positionnement des conduits

Suivez à la lettre les directives présentées dans ce manuel.

Le fabricant refuse toute responsabilité en ce qui a trait à tout préjudice, dommage ou incendie causé par la non observation des directives contenues dans le présent manuel.

3.3.1 Méthodes de ventilation

Possibilité d'évacuation

La hotte est prévue pour une évacuation verticale ou horizontale ou bien pour le recyclage d'air en l'absence de conduits :

Évacuation verticale:

Utiliser un conduit rectangulaire de 3 ¼»x10» ou utiliser un conduit circulaire de 7».

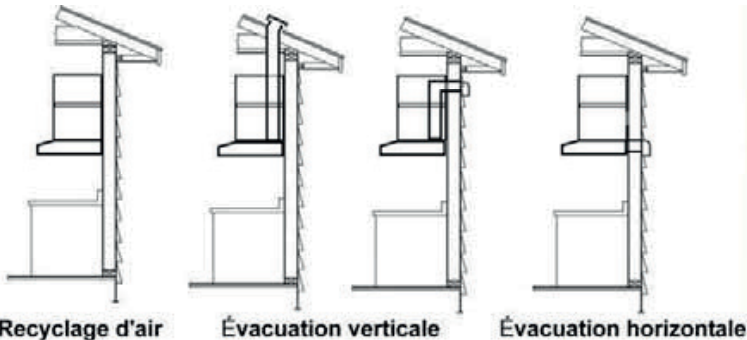
Évacuation horizontale :

Utiliser un conduit rectangulaire de 3 ¼»x10»

Recyclage d'air (pas de conduit nécessaire).



Dans le cas de la version sans conduit (À recyclage) seulement : procurez-vous la trousse de conversion en hotte à recyclage. Diamètre minimum des conduit (Version avec ou sans conduit) : tuyau rond de 7 po.



3 Spécifications techniques de votre appareil

3.4 Préparation

Ne coupez pas une solive ou un montant à moins qu'il soit absolument nécessaire de le faire. Si vous devez couper une solive ou un montant, vous devez construire un cadre de soutien.

La quincaillerie fournie permet de fixer la hotte à la plupart des murs et des plafonds.

Vous devez cependant demander à un technicien qualifié de vérifier la solidité des matériaux selon le type de mur ou de plafond.

Avant de couper, assurez-vous qu'il y a un dégagement suffisant dans le plafond ou le mur pour passer la conduite de sortie.

Vous pouvez déterminer vous-même la hauteur à laquelle vous installez la hotte au dessus de la cuisinière. Plus la hotte est près de la cuisinière, plus elle est efficace à capter les odeurs de cuisson, la graisse et la fumée.



ATTENTION: Pour l'installation des cuisinières à gaz: monter la hotte afin d'avoir entre le bord inférieur de la hotte et le plan de cuisson une distance de 30» (76,2 cm).

Pour cuisinières électriques: monter la hotte afin d'avoir entre le bord inférieur de la hotte et le plan de cuisson la distance ne soit pas inférieure de 24» (61 cm) et supérieure de 30» (76,2 Cm).

Emploi domestique. Lire attentivement le livret instructions pour des applications spécifiques.

Vérifiez donc la hauteur de votre plafond et la hauteur maximum de la hotte avant de choisir votre modèle de hotte.

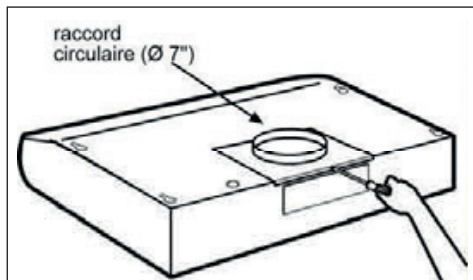
4 Installation de votre appareil

4.1 Installation - Version à conduit

Après avoir choisi le type d'évacuation, procéder comme suit:

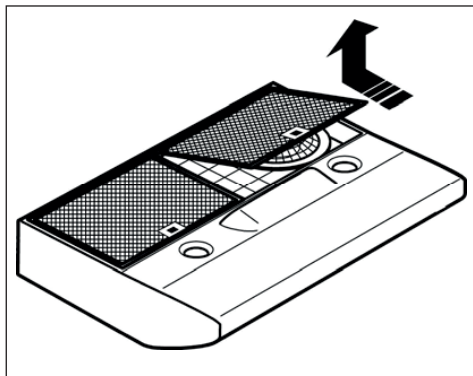
Étape 2

Détacher le raccord circulaire des conduits d'évacuation en dévissant les vis qui le fixent (conserver les vis).



Étape 3

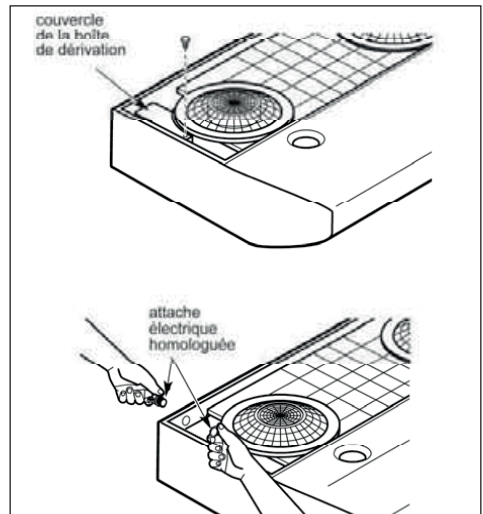
Enlever les filtres à graisse.



Étape 4

Enlever le couvercle de la boîte de dérivation.

Enlever la partie supérieure ou arrière prédécoupée suivant votre préférence et installer une attache électrique homologuée.



Étape 5

Enlever les parties prédécoupées pour les conduits en utilisant un fin tournevis et un petit marteau.

Utiliser le tournevis à la façon d'un biseau.

Faire attention aux parties blessants.

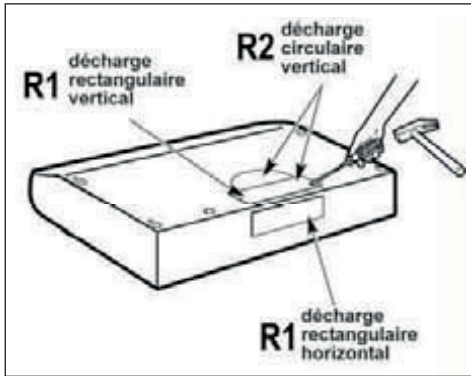


En cas d'utilisation de la hotte avec recyclage d'air, ne pas enlever les parties prédécoupées pour les conduits et commander les filtres à charbon nécessaires chez votre revendeur.

R1 = Enlever uniquement les parties prédécoupées pour les conduits rectangulaires.

R2 = Enlever les parties prédécoupées pour les conduits circulaires et rectangulaires.

4 Installation de votre appareil



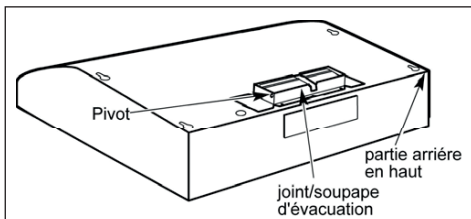
Étape 6

Pour les évacuations avec conduits rectangulaires uniquement (autrement, passer à l'étape suivante)

Attacher le joint ou la soupape d'évacuation sur l'ouverture préformée à l'aide des deux vis prévues à cet effet. S'assurer que les éléments soient le plus proche possible de la partie arrière en haut de votre hotte. Enlever la protection du clapet.



Le joint/soupape d'évacuation peut être installé jusqu'à 2,5 cm (1 inch) de part et d'autre du centre de la hotte pour permettre le décentrage des conduits. Dans le cas de systèmes d'évacuation très décentrés, la partie terminale du conduit d'évacuation peut être modifiée pour dégager l'attache du fil électrique.

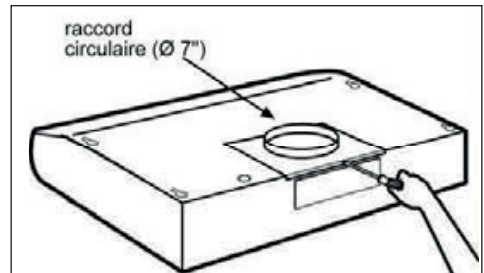


Étape 7

Pour les évacuations avec conduits circulaires uniquement Réinstaller le raccord circulaire des conduits d'évacuation à l'aide des vis.



Le raccord circulaire peut être installé jusqu'à 2,5 cm (1 inch) de part et d'autre du centre de la hotte pour permettre le décentrage des conduits. Dans le cas de systèmes d'évacuation très décentrés, la partie terminale du conduit d'évacuation peut être modifiée pour dégager l'attache du fil électrique.

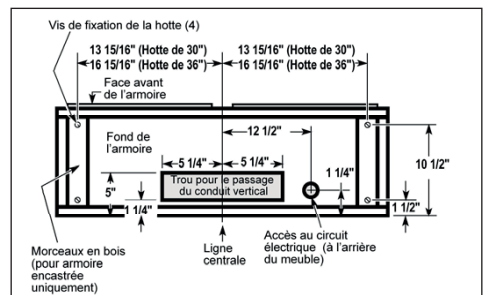


Étape 8

Emplacement des trous

Sélectionner le type d'évacuation choisi pour votre hotte et procéder :

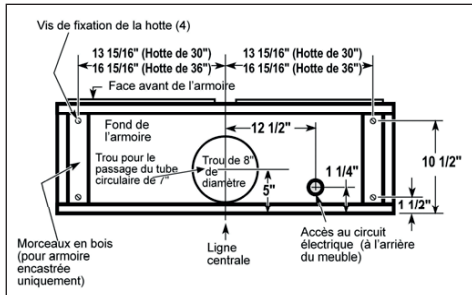
Évacuation extérieure par le dessus de la hotte (Conduit vertical rectangulaire de 3 1/4" x 10") Utiliser le schéma ou la hotte comme patron et indiquer sur l'armoire l'emplacement des conduits, des fils électriques et les fentes réglables pour les vis.



Évacuation extérieure par le dessus de la hotte

(Conduit vertical circulaire de 7»)

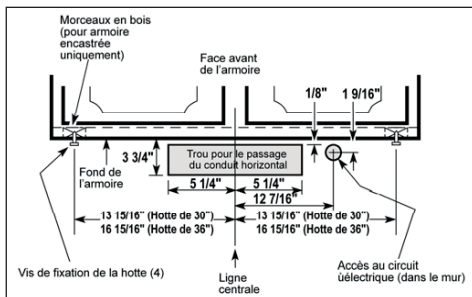
Utiliser le schéma ou la hotte comme patron et indiquer sur l'armoire l'emplacement des conduits, des fils électriques et les fentes réglables pour les vis.



Évacuation extérieure par l'arrière de la hotte

(Conduit horizontal rectangulaire de 3 1/4\" x 10\")

- Utiliser le schéma ou la hotte comme patron et indiquer sur l'armoire l'emplacement des conduits, des fils électriques et les fentes réglables pour les vis.



Recyclage d'air

Utiliser le schéma ou la hotte comme patron et indiquer sur l'armoire l'emplacement des fils électriques et les fentes réglables pour les vis. Puisque la hotte va recycler l'air (il n'y a pas d'évacuation vers l'extérieur), ne pas prévoir d'ouverture dans le mur ou l'armoire pour le passage des conduits.

Étape 9

Sélectionner le type d'évacuation choisie pour votre hotte. La hotte peut être installée pour évacuer l'air à l'extérieur ou pour recycler l'air dans la cuisine.

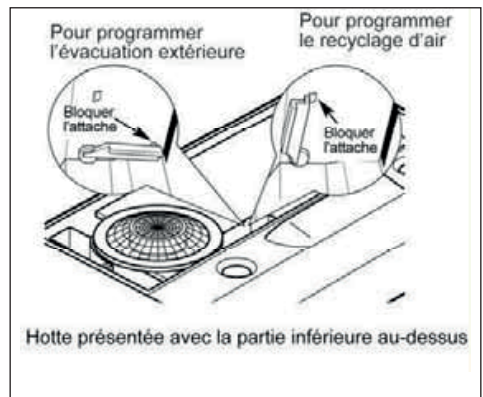
Le levier de ventilation en plastique est situé près du centre de l'ouverture de la hotte.

Pour évacuer vers l'extérieur, s'assurer que le levier de ventilation en plastique est en position HORIZONTALE (à plat contre la partie supérieure métallique de la hotte).

Pour recycler l'air dans la cuisine, s'assurer que le levier de ventilation en plastique est en position VERTICALE (à plat contre la protection en plastique de la soufflerie).



Pour changer la position du levier de ventilation, il est nécessaire de pousser légèrement le levier pour dégager les parties en plastique.

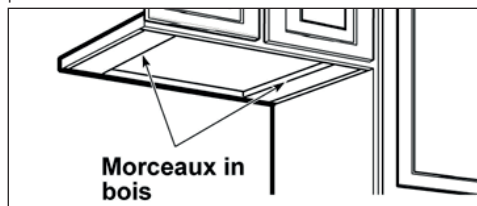


4 Installation de votre appareil

Étape 10

Pour armoires encastrées uniquement

Si les armoires ont une garniture à l'avant, sur le côté ou à l'arrière, réaliser 2 morceaux de bois de la largeur des garnitures et les attacher à l'armoire encastrée sur les 2 côtés. Pour les emplacements des marques, se référer aux indications à la page précédente.



Étape 11

Réaliser les trous pour les conduits et les fils électriques aux emplacements indiqués. Pour le conduit vertical, agrandir le trou de $\frac{3}{4}$ » vers le devant de l'armoire pour pouvoir bouger le conduit plus librement lors de la mise en place de la hotte.

L'installation sera également plus facile si le trou fait $10\frac{1}{2}$ » au lieu de 10».

Étape 12

Serrer une vis de fixation (se trouvant dans le kit de montage) dans chaque petite ouverture des crochets marqués sur le fond de l'armoire.

Étape 13

Raccorder le tube électrique à la hotte.

Étape 14

Replacer la hotte contre le mur. Serrer les vis de fixation. S'assurer que la tête des vis est bien dans la partie plus étroite des fentes des crochets.

Raccorder les conduits à la hotte.

Étape 15

Connexion électrique

AVERTISSEMENT



Danger de choc électrique

Coupez l'alimentation du circuit dans le panneau électrique avant de raccorder les fils de cet appareil.

Un circuit de 120 V c.a., de 15 ou 20 A est requis.

Instructions de mise à la terre

Cet appareil est muni d'une boîte de Jonction électrique à trois fils, dont l'un (Vert/jaune) sert à mettre l'appareil à la Terre. Pour vous protéger contre les Chocs électriques, vous devez raccorder Le fil vert/jaune au fil de mise à la terre du Système électrique de votre maison. En Aucune circonstance ce fil doit être Coupé ou enlevé.

Le fait de ne pas respecter cette directive peut entraîner la mort ou un choc électrique.

Retirez l'alvéole défonçable et le couvercle de la boîte de jonction et installez un connecteur de canalisation (Listé dans cULus) dans la boîte de jonction.

Passez trois fils, le noir, le blanc et le vert, en respectant les normes du code national de l'électricité, ainsi que les codes et les ordonnances en vigueur dans votre région, dans une canalisation de 1/2 po, du panneau de service à la boîte de jonction.

Raccordez le fil noir du panneau de service au fil noir ou rouge de la boîte jonction, le blanc avec le blanc et le vert avec le vert/jaune.

Fermez le couvercle de la boîte de jonction.

4 Installation de votre appareil

Étape 16

Étape finale d'installation

Replacer les filtres.

Vérifier que la hotte fonctionne.

Si la hotte ne fonctionne pas :

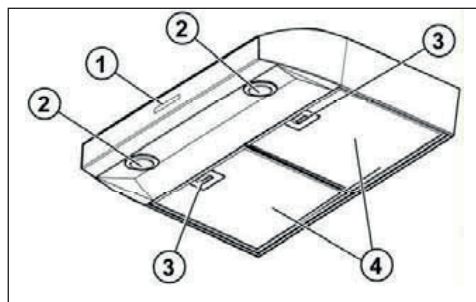
- Vérifiez que le disjoncteur ne s'est pas déclenché ou que le fusible n'est pas grillé.
- Débranchez l'alimentation. Vérifiez que les raccords électriques ont été effectués correctement.

Pour utiliser votre nouvelle hotte de façon optimale, lisez la section intitulée "Entretien et utilisation".

Gardez vos instructions d'installations et d'utilisation près de la hotte pour pouvoir vous y référer facilement.

5 Fonctionnement de votre appareil

5.1 Description de la hotte et des commandes

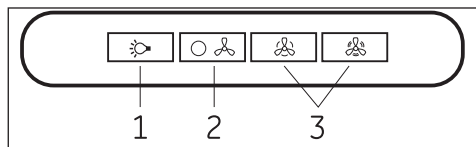


1. Boutons de commande du ventilateur et de la lampe
2. Lampe halogène
3. Poignée pour le filtre
4. Filtre à graisse

5.1.1 Commandes

Utiliser la puissance d'aspiration maximum en cas de concentration très importante des vapeurs de cuisson. Nous conseillons d'allumer le dispositif d'aspiration 5 minutes avant de commencer la cuisson et de le faire fonctionner encore pendant 15 minutes environ après avoir terminé la cuisson.

5.1.2 Description du panneau de commandes



1. ON/OFF Lumière
2. ON/OFF général et vitesse 1
3. ON/OFF, vitesse 2 et vitesse 3.

6 Nettoyage et entretien

6.1 Entretien



Avant toute opération de nettoyage ou d'entretien, débrancher la hotte du circuit électrique en enlevant la prise ou en coupant l'interrupteur général de l'habitation.

6.2 Nettoyage

- Ne pas vaporiser de nettoyants directement sur le panneau de contrôle lors du nettoyage de la Hotte. La hotte doit être régulièrement nettoyée à l'intérieur et à l'extérieur (au moins à la même fréquence que pour l'entretien des filtres à graisse). Pour le nettoyage, utiliser un chiffon humidifié avec un détergent liquide neutre. Ne pas utiliser de produit contenant des abrasifs. **NE PAS UTILISER D'ALCOOL!**



ATTENTION:

Il y a risque d'incendie si vous ne respectez pas les instructions concernant le nettoyage de l'appareil et le remplacement ou le nettoyage du filtre.

- La responsabilité du constructeur ne peut en aucun cas être engagée dans le cas d'un endommagement du moteur ou d'incendie liés à un entretien négligé ou au non respect des consignes de sécurité précédemment mentionnées.

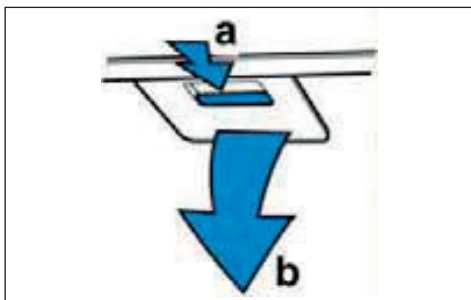
6.3 Filtre à graisse

Il retient les particules de graisse issues de la cuisson.

Le filtre doit être nettoyé une fois par mois avec des détergents non agressifs, à la main ou dans le lave-vaisselle à faibles températures et cycle rapide.

Le lavage du filtre anti-graisse métallique au lave-vaisselle peut en provoquer la décoloration. Toutefois, les caractéristiques de filtrage ne seront en aucun cas modifiées.

Pour démonter le filtre anti-graisse, tirer la poignée de décrochement à ressort.



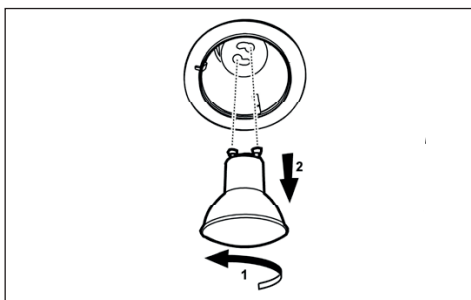
6.4 Remplacement des ampoules



Avant de remplacer les lampes, couper le courant au niveau de la boîte à fusible et verrouiller cette dernière pour prévenir tout risque qu'on remette le courant accidentellement.



Couper l'aspiration et les lampes. Laisser les lampes refroidir avant de les manipuler. Si les nouvelles ampoules ne fonctionnent pas, s'assurer qu'elles sont insérées correctement avant d'appeler le service clientèle.



6 Nettoyage et entretien

Remplacer les ampoules

- Enlever l'ampoule défectueuse (tourner dans le sens inverse des aiguilles d'une montre) et la remplacer avec une nouvelle ampoule halogène de 120 Volt, 50 Watt (maximum), 50° prévue pour une base GU10, et convenant pour une utilisation dans les lampadaires.

6.5 Filtres à charbon

- Si le système n'a pas d'évacuation vers l'extérieur, l'air va circuler à travers des filtres à charbon jetables qui vont aider à éliminer fumée et odeurs.
- Les filtres à charbon ne doivent pas être nettoyés.
- Ils doivent être remplacés.
- Les filtres à charbon sont fixés à l'intérieur de chaque filtre anti-graisse (les instructions de montage sont incluses dans le kit de filtre à charbon). Les filtres à charbon doivent être remplacés après 4 à 6 mois en fonction de l'utilisation de la hotte .



NE PAS rincer, ou mettre les filtres à charbon au lave-vaisselle.



Les filtres à charbon NE sont PAS inclus dans la hotte.

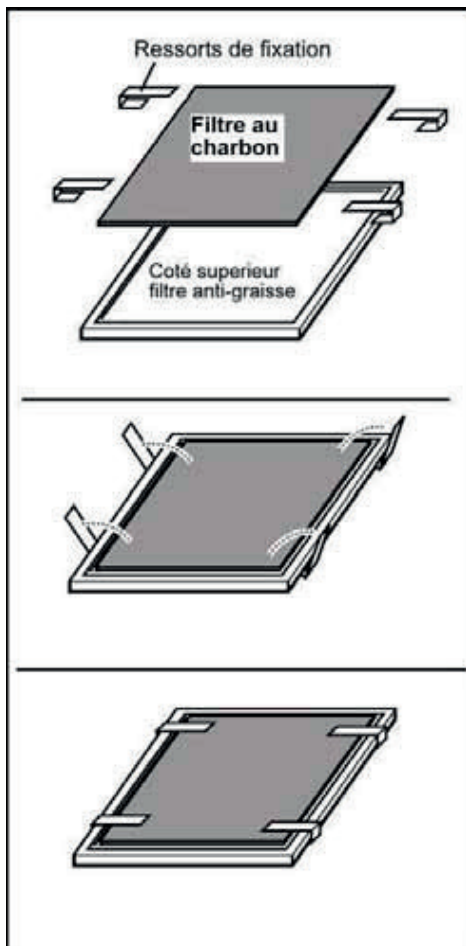
- Ils doivent être commandés chez votre revendeur.
- Commander le kit nécessaire en spécifiant votre modèle de hotte et sa largeur.

6.6 Placement du filtre au charbon (Accessoires de recyclage d'air)

- Placer le matelas du filtre au charbon sur le côté supérieur de chaque filtre anti-graisse.
- Utiliser les ressorts fournis pour le fixer en place.



Lorsque vous le retirerez pour le remplacer par un autre, n'enlever pas les ressorts de fixation, poussez-les simplement et faites-les tourner vers l'extérieur.



Clauses De Garantie Pour Le Blomberg

Appareils de cuisson

Les garanties offertes par Blomberg dans ces clauses ne s'appliquent qu'aux appareils de cuisson Blomberg (four muraux / plaques de cuissons) vendus à l'acheteur de départ ou au propriétaire aux Etats-Unis et au Canada. La garantie n'est pas transférable. Pour obtenir le service garantie, veuillez contacter notre distributeur le plus proche indiqué dans la liste par Etat. Vous devrez fournir le numéro de modèle de votre appareil de cuisson (fours muraux / plaques électriques), le numéro de série, le nom et l'adresse du fournisseur, le lieu et la date de l'achat / la date de l'installation. Cette garantie vous donne des droits légaux spécifiques et vous pouvez également bénéficier d'autres droits qui varient d'un Etat à l'autre.

Garantie limitée à 1 an * à partir de la date de la première installation. Blomberg réparera et remplacera sans frais pour le consommateur toute partie défectueuse des appareils de cuissons (fours muraux / plaques de cuisson) s'ils sont utilisés dans des conditions normales d'utilisation (la garantie est nulle si le produit est utilisé dans le commerce). Le service doit être effectué par un agent Blomberg agréé. **Dans le cas contraire la garantie est nulle.** (Les défauts d'apparence doivent être signalés dans les 10 jours ouvrables après l'installation)

Garantie limitée à 2 ans * ++ à partir de la date de la première installation (seulement pièces). Blomberg réparera et remplacera toute pièce sans frais pour le consommateur si le dommage ou le dysfonctionnement de ces pièces a été causé par des défauts matériels ou l'installation. L'appareil doit avoir été utilisé dans des conditions domestiques normales et non commercialement comme énoncé ci-dessous (Les frais de travail sont sous la responsabilité du consommateur)

Dégagements de garantie et exclusions. La garantie ne couvre pas les frais de service fourni par un agent agréé pour corriger l'installation, des problèmes électriques ou fournir des instructions sur l'utilisation des appareils de cuisson (fours muraux / plaques de cuisson). La garantie ne couvre pas non plus les défauts et dommages causés par des catastrophes naturelles (tempêtes, inondations, incendies, coulées de boue, etc.), les dommages causés par l'utilisation des appareils de cuisson (fours muraux / plaques de cuisson) à des fins autres que celles pour lesquelles ils ont été conçus, les utilisations erronées ou abusives, les accidents, altérations, l'installation incorrecte, la maintenance, les frais de transport, les appels au service en-dehors des heures normales de travail, le travail des agents non agréés.

L'appareil a été testé de manière exhaustive et est passé par des inspections de qualité officielles avant de quitter le lieu de production. Les termes de la garantie pour cet appareil domestique Blomberg ne sont pas valables si le produit est altéré, abîmé, modifié, si des pièces supplémentaires sont assemblées, fixées et réemballées par un service agréé, un prestataire de services, un fournisseur tiers, un revendeur ou d'autres personnes non-agrèées.

DANS LES LIMITES DE LA LOI, CETTE GARANTIE REMPLACE TOUTES LES GARANTIES EXPLICITES ET IMPLICITES, Y COMPRIS LES GARANTIES IMPLICITES DE MISE SUR LE MARCHE ET ADAPTATION A UN OBJECTIF PARTICULIER. BLOMBERG N'ASSUME PAR DE RESPONSABILITE CONCERNANT LA QUALITE DE CE PRODUIT AUTRE QUE CELLE FOURNIE DANS CES CLAUSES DE GARANTIE. BLOMBERG N'ASSUME PAS DE RESPONSABILITE CONCERNANT L'ADEQUATION DE CE PRODUIT A DES FINS PARTICULIERES AUTRES QUE CELLE NOTIFIEES DANS CES CLAUSES DE GARANTIE.

Blomberg n'assume aucune responsabilité pour des dommages accidentels ou indirects. De tels dommages incluent la perte de bénéfices, la perte d'économies ou de revenu, la perte d'utilisation de l'appareil de cuisson ou de tout équipement associé, les frais du capital, les frais de tout matériel de substitution, les installations ou services, le temps dépensé, les réclamations de parties tiers et les dommages à la propriété, mais ne sont pas limités à ces exemples. Du fait que certains Etats n'autorisent pas l'exclusion ou la restriction des dommages accidentels ou indirects, les restrictions ou exclusions peuvent ne pas s'appliquer à vous.

* la date d'installation doit faire référence soit à la date d'achat, soit à un délai de 5 jours ouvrables après la livraison du produit à domicile, selon la date la plus tardive.

++Les pièces remplacées seront identiques aux pièces originales + à leur garantie originale.

Pas d'autres garanties. Ces clauses de garantie constituent la garantie complète et exclusive du fabricant. Aucun employé de Blomberg ou d'une autre partie n'est autorisé à ajouter des clauses de garantie à celle mentionnée dans cette déclaration de garantie.

Veuillez conserver cette carte de garantie, le manuel de l'utilisateur et votre ticket d'achat pour une utilisation future.

COMMENT OBTENIR LE SERVICE

Veuillez contacter le distributeur pour votre Etat ou Province, comme indiqué sur la liste des coordonnées des distributeurs ou appeler notre numéro gratuit au 1 800 459 9848 pour obtenir les références d'un service agréé Blomberg. 02 01

Blomberg[®]

seit 1883

www.blomberginternational.com

info@blomberginternational.com