



IN HARMONY WITH NATURE,  
YOUR LIFE, AND YOU

**Blomberg**  
seit 1883

## 30" Under Cabinet – Range Hood

BCHS30100SS



### KEY FEATURES

- Tag Switches with LED Controls
- 250 CFM Suction Power with 3 Different Fan Speed Levels
- Direct Ducting with Charcoal Filter for Ductless Use Availability
- Washable Grease Filters

### FINISH

Stainless Steel

### DIMENSIONS (H X W X D)

4<sup>3</sup>/<sub>4</sub> x 30 x 20 in.  
Max Height Range for Installation:  
24" electric, 30" gas.

### FEATURES

|              |                                  |
|--------------|----------------------------------|
| Hood Type    | Standard                         |
| Control Type | Mechanical Control - Push Button |
| Hood Width   | 30 in.                           |

### PERFORMANCE

|                                   |                                   |
|-----------------------------------|-----------------------------------|
| Intensive Setting (Booster)       | No                                |
| No. of Power Levels               | 3                                 |
| Number of Motors                  | 2                                 |
| Maximum Ventilation Capacity      | 408 cu. meters / hour             |
| Minimum Ventilation Capacity      | 272 cu. meters / hour             |
| Ventilation Capacities            | 272 - 340 - 408 cu. meters / hour |
| Maximum Noise Level (Sound Power) | 62 dBA                            |
| Minimum Noise Level (Sound Power) | 54 dBA                            |
| Noise Level (Sound Power)         | 54 - 59 - 62 dBA                  |
| Total Power Consumption           | 360 W                             |

### HOOD FEATURES

|                                       |                  |
|---------------------------------------|------------------|
| Type of Lighting                      | Halogen          |
| No. of Lights                         | 2                |
| Power of Lights                       | 50 W             |
| Adjustable Illumination               | No               |
| No. of Grease Filters                 | 2                |
| Type Of Grease Filters                | Metal - Cassette |
| Dishwasher Safe Filters               | Yes              |
| Charcoal Filter                       | Optional         |
| No. of Necessary Charcoal Filters     | 2                |
| Filter Saturation Indicator           | No               |
| Air Cleaning Function                 | No               |
| Auto Shutdown                         | No               |
| Remote Controller for Hood            | No               |
| Silent Kit Compatability              | No               |
| Child Lock                            | No               |
| Special Functions                     | No               |
| Locking Washer                        | No               |
| Air Diverter (Recirculated Operation) | Yes              |
| Flape (Ducted Operation)              | Yes              |
| Fitting Kit (Screws)                  | Yes              |
| Reducer Flange (Ducting Spigot)       | No               |
| Wireless Connectivity (Hood)          | No               |
| Coating for Cleaning                  | No               |

### DESIGN

|                           |               |
|---------------------------|---------------|
| Control Panel Design      | Flat Panel    |
| Control Panel Type        | Metal         |
| Hood Display Type         | No            |
| Display / LED Color       | Blue          |
| Body Color                | Silver        |
| Chimney Color             | NA            |
| Chimney Material          | NA            |
| Body Material             | Painted Metal |
| Flat / Curved Glass Color | NA            |
| Glass Visor               | No            |

### TECHNICAL INFORMATION

|           |       |
|-----------|-------|
| Voltage   | 120 V |
| Frequency | 60 Hz |
| Plug Type | None  |

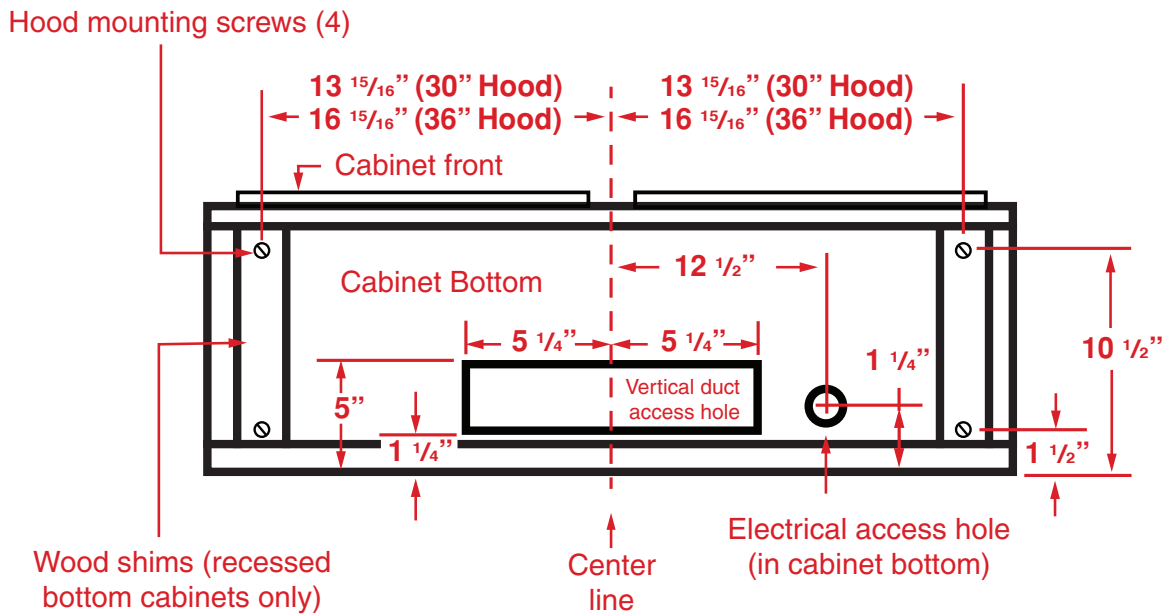
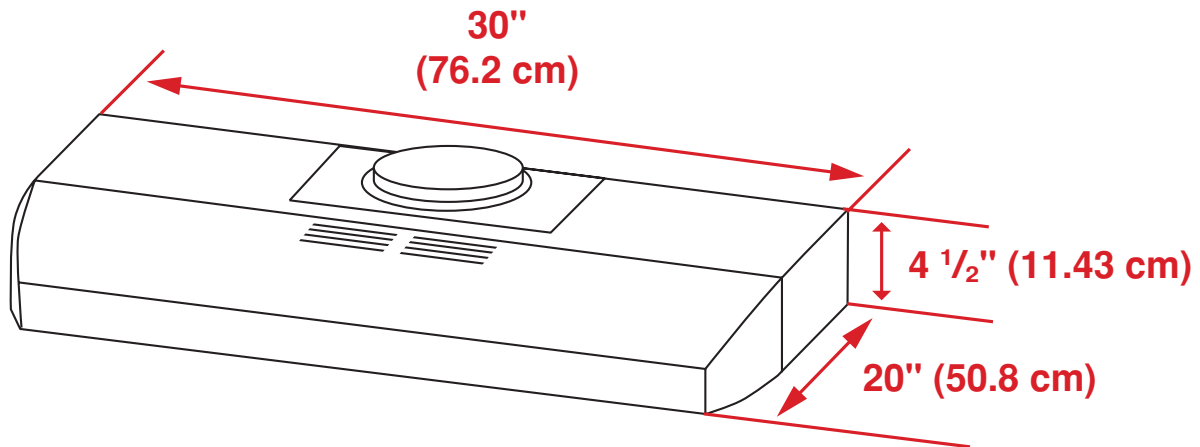
### DIMENSIONS

|                  |   |
|------------------|---|
| H x W x D        | 4 <sup>3</sup> / <sub>4</sub> x 30 x 20 in. (12.1 x 76 x 50.8 cm)                               |
| Product Weight   | 22 lbs. (10 kg)   |
| Packed H x W x D | 9 <sup>1</sup> / <sub>6</sub> x 34 x 24 <sup>5</sup> / <sub>6</sub> in. (24.9 x 86.4 x 61.8 cm) |
| Packed Weight    | 29.5 lbs. (13.4 kg)   |

888.352.2356 | BlombergAppliances.com

© 2017 Beko US Inc. 11/21/17

**Blomberg**  
seit 1883



NOTE TO THE INSTALLER: All height, width and depth dimensions are shown in inches (as well as metric). Beko US Inc. reserves the absolute and unrestricted right to change product materials and specifications, at any time, without notice. Please visit our website [www.beko.us](http://www.beko.us) or call 888 352 2356 to verify the latest specifications with final dimensional data and other details prior to installation and making a cutout. Applicable product limited warranty information may be found in accompanying product materials or you may contact your account manager for further details. Proper installation is the responsibility of the installer. Product failure due to improper installation is not covered under the Limited Warranty.

IN HARMONY WITH NATURE, YOUR LIFE, AND YOU