



IN HARMONY WITH NATURE,
YOUR LIFE, AND YOU

Blomberg
seit 1883

24" Single Electric Built-in Oven

BWOS24110B

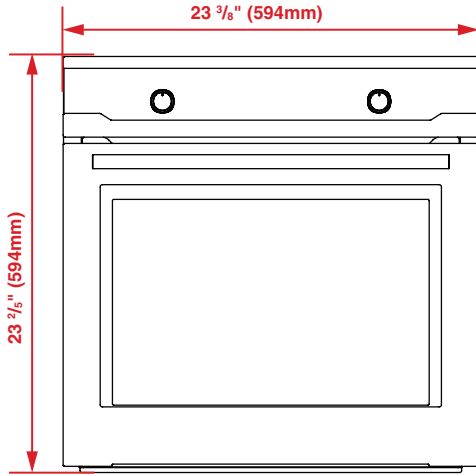


FEATURES

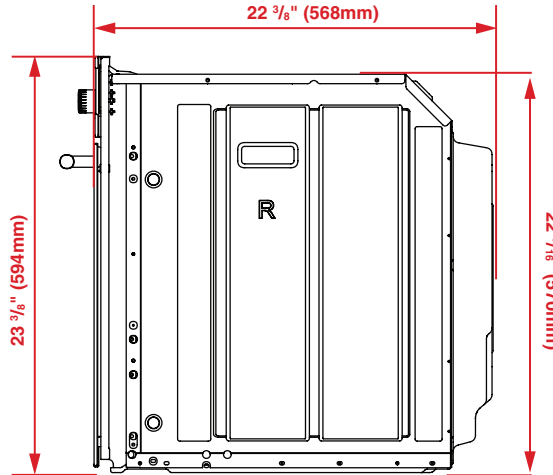
- 2.5 cu.ft. Oven Capacity
- Multifunctional Oven with Convection Fan
- Timer with Touch Button Control
- Five Level Side Racks
- Two Standard Wire Racks
- Multi-cooking Function with True Euro Convection Fan
- Electronic Touch Control Timer with Digital Display

GENERAL	
Type	Built-In
Size	24"
Color	Black
Oven Type / Upper Oven Type	Multifunction
Control Type	Electric Oven Functions with Knob Controls
FUNCTIONS	
True European Convection	Yes
Convection Broil	Yes
Bake	Yes
Broil	Yes
Defrost	Yes
SPECIAL FEATURES	
Easy-to-clean Enamel	Yes
Oven Capacity	2.5 cu. ft.
Wire Oven Racks	2
OVEN DOORS	
Oven Glass Window	Yes
ACCESSORIES / OVEN CAVITY	
Cavity Enamel Color	Black
Rack Positions	5 Embossed
Oven Lights	1 x Round Light in Rear
Chromed Racks	2
DIMENSIONS	
Required Cutout Dim (H x W x D)	23 ⁵ / ₈ " x 22 ³ / ₆₄ " x 21 ²¹ / ₃₂ "
Overall Height	23 ² / ₅ "
Overall Width	23 ² / ₅ "
Overall Depth	22 ³ / ₈ "
Weight	78.5 lbs.
POWER / RATINGS	
KW / Amps Rating at 240V, 60Hz	220-240 V, 20 A, 60 Hz

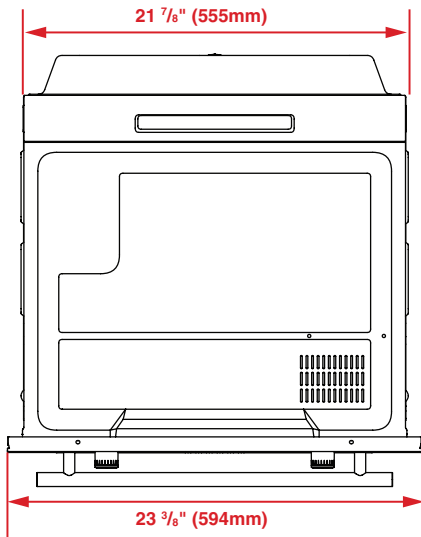
Front



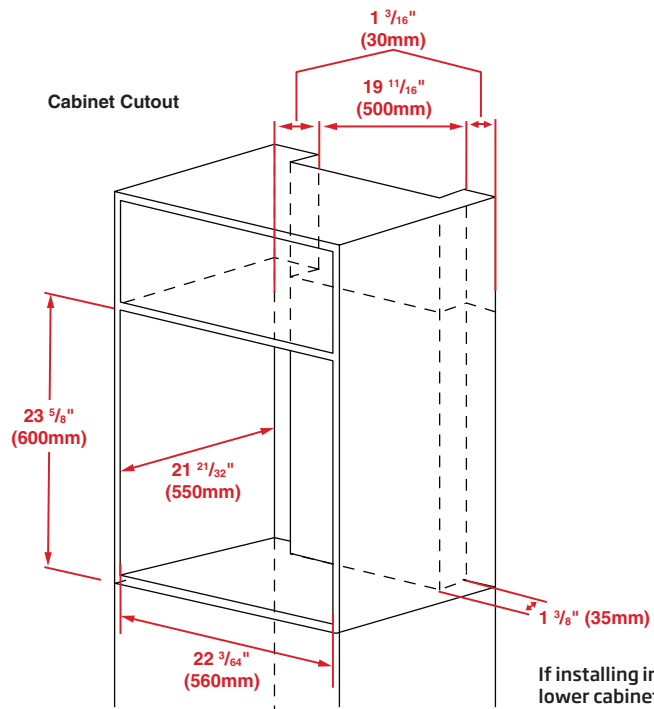
Side



Top



Cabinet Cutout



If installing in lower cabinet, leave 4" (102mm) min clearance below.

NOTE TO THE INSTALLER: All height, width and depth dimensions are shown in inches (as well as metric). Beko US Inc. reserves the absolute and unrestricted right to change product materials and specifications, at any time, without notice. Please visit our website www.beko.us or call 888 352 2356 to verify the latest specifications with final dimensional data and other details prior to installation and making a cutout. Applicable product limited warranty information may be found in accompanying product materials or you may contact your account manager for further details. Proper installation is the responsibility of the installer. Product failure due to improper installation is not covered under the Limited Warranty.

IN HARMONY WITH NATURE, YOUR LIFE, AND YOU