

# KUC48X

<b>Product family</b>	Hood
<b>Hood Type</b>	Integrated (semi) hood
<b>Design</b>	Canopy pro-style
<b>Extraction</b>	Extraction
<b>Material</b>	Stainless steel
<b>Type of steel</b>	Brushed
<b>EAN code</b>	8017709248048
<b>Hood width</b>	120 "



## Aesthetics

<b>Colour</b>	Stainless steel	<b>Serigraphy colour</b>	Black
<b>Finishing</b>	Satin	<b>Logo</b>	Silk screen



## Controls

<b>Control setting</b>	Control knobs	<b>Control knobs</b>	Smeg USA
<b>No. of controls</b>	2	<b>Controls colour</b>	Black

## Programs / Functions

<b>No. of speeds</b>	4
----------------------	---

## Technical Features

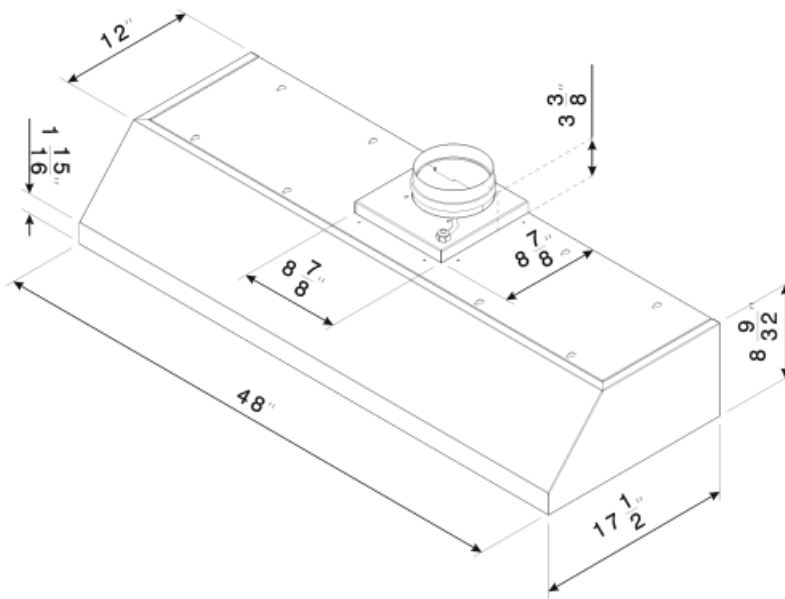
			
<b>No. of lights</b>	2	<b>No. of filters</b>	3
<b>Light type</b>	Halogen	<b>Anti-grease filters</b>	Aluminium
<b>Light Power</b>	20 W	<b>Vent outlet</b>	150 "
<b>Light color temperature scale (°K)</b>	3000 °K	<b>Minimum distance from GAS hob</b>	750 "
<b>Free outlet maximum capacity</b>	587.5 CFM	<b>Minimum distance from ELECTRIC hob</b>	650 "
<b>Motor power</b>	455 W	<b>Non return valve</b>	Yes

	Extraction rate IEC 61591 [CFM]	Noise level IEC 60704-2-13 [dB(A)]
Speed 1	211.5	54
Speed 2	322	63
Speed 3	453	70
Speed 4	584.5	75

## Electrical Connection

Electrical connection rating      495 W  
Voltage                                      120 V

Frequency (Hz)                          60 Hz  
Power supply cable length          1000 "



## Not included accessories

---



FLTK-1

Round Charcoal filters (kit 2 pieces)

## Symbols glossary (TT)

---



**Filters:** Model has filters to help remove grease from the steam emanating from the pans during cooking.



**Lights:** All cooker hoods feature lights to illuminate the cooking area or add to the ambience of the kitchen.