

KUC36X

| | |
|----------------|------------------------|
| Product family | Hood |
| Hood Type | Integrated (semi) hood |
| Design | Canopy pro-style |
| Extraction | Extraction |
| Material | Stainless steel |
| Type of steel | Brushed |
| EAN code | 8017709248031 |
| Hood width | 90 " |



Aesthetics

| | | | |
|-----------|-----------------|-------------------|-------------|
| Colour | Stainless steel | Serigraphy colour | Black |
| Finishing | Satin | Logo | Silk screen |

Controls

| | | | |
|-----------------|---------------|-----------------|----------|
| Control setting | Control knobs | Control knobs | Smeg USA |
| No. of controls | 2 | Controls colour | Black |

Programs / Functions

| | |
|---------------|---|
| No. of speeds | 4 |
|---------------|---|

Technical Features



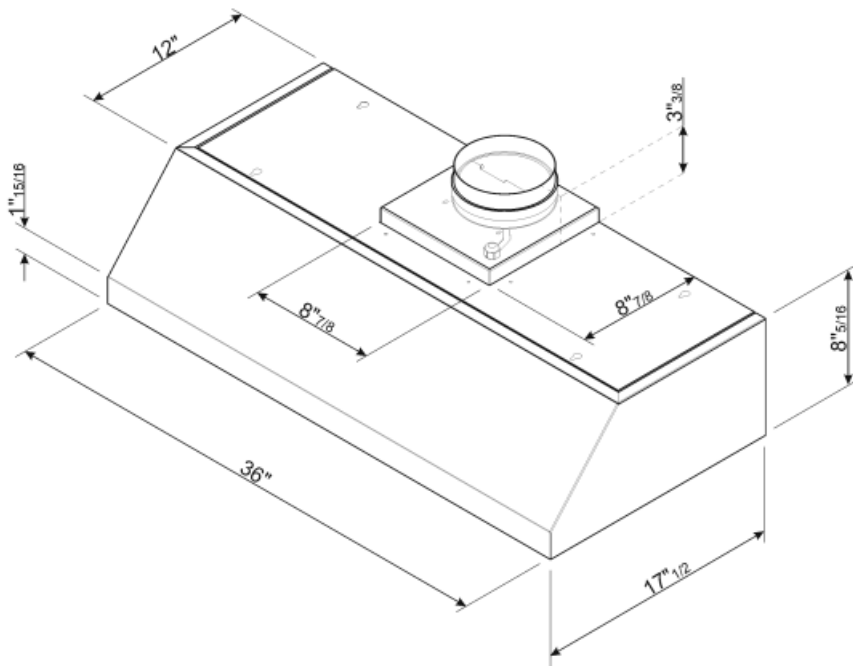
| | | | |
|------------------------------------|-----------|------------------------------------|-----------|
| No. of lights | 2 | No. of filters | 3 |
| Light type | Halogen | Anti-grease filters | Aluminium |
| Light Power | 20 W | Vent outlet | 150 " |
| Light color temperature scale (°K) | 3000 °K | Minimum distance from GAS hob | 750 " |
| Free outlet maximum capacity | 598.5 CFM | Minimum distance from ELECTRIC hob | 650 " |
| Motor power | 455 W | Non return valve | Yes |

| | Extraction rate IEC 61591 [CFM] | Noise level IEC 60704-2-13 [dB(A)] |
|---------|---------------------------------|------------------------------------|
| Speed 1 | 219.5 | 54 |
| Speed 2 | 330 | 63 |
| Speed 3 | 455 | 70 |
| Speed 4 | 593.5 | 76 |

Electrical Connection

Electrical connection rating 495 W
Voltage 120 V

Frequency (Hz) 60 Hz
Power supply cable length 1000 "



Not included accessories



FLTK-1

Round Charcoal filters (kit 2 pieces)

Symbols glossary (TT)



Filters: Model has filters to help remove grease from the steam emanating from the pans during cooking.



Lights: All cooker hoods feature lights to illuminate the cooking area or add to the ambience of the kitchen.