



CPF36UGMR New product

Portofino

Portofino Pro-Style Dual Fuel Range,
Red, 36" x 25"

EAN13: 8017709248987

PORTOFINO STYLE

Stainless steel control knobs

Thermoseal cavity, energy efficiency best-in-class

Soft close oven door

Full-width continuous grates

Push-pull stainless steel storage compartment

MULTIFUNCTION ELECTRIC OVEN:

10 cooking modes including Pizza Function

Vapor-clean function

Programmable timer with touch display

Adjustable thermostat 120° - 500°F

Air-cooled triple-glazed removable door

True European triple convection

Oven capacity: 4.5 cu. ft.

Ever Clean enameled interior cavity

5 shelf positions

2 x halogen oven lights

Bake element 1.7kW

Broil element 2.9kW

Convection element 1.5kW/element

GAS RANGETOP:

5 gas burners

Center-rear 4500 BTU

Center-front 10500 BTU

Right-rear 12000 BTU

Right-front 8000 BTU

Left double-inset super burner 20000 BTU

Heavy-duty cast iron grates

Automatic electric ignition

LP gas conversion kit included

SAFETY:

Gas safety valves

Air-cooled door to prevent overheating

Connected nominal power: 240/120V

Voltage rating: @ 240/120V 60Hz

ACCESSORIES INCLUDED:

1 wok ring

1 rotisserie kit

1 deep oven tray

1 total-extraction telescopic guide

2 chrome shelves





Functions



Options

- **BGTR9** - Grill Plate
- **TPKTR9** - Teppanyaki Grill Plate
- **GT1T-2** - 1-Level Telescopic Shelf - Total Extraction
- **PPR9** - Pizza Stone

Versions

- **CPF36UGMX** - Stainless Steel
- **CPF36UGMYW** - Yellow
- **CPF36UGMWH** - White
- **CPF36UGMOR** - Orange
- **CPF36UGMBL** - Black
- **CPF36UGMOG** - Olive green
- **CPF36UGMAN** - Matte Black



Main Oven



Convection:

This combination completes cooking more quickly of foods that are ready on the surface, but require more cooking inside, without further browning. For Gas Oven: Convection with lower elements: The fan is added to the gas burner to distribute the heat quickly and evenly throughout the oven cavity, avoiding flavour transfer when cooking a number of different dishes at the same time.



Bake:

Ideal for slow baked cakes and casseroles. This traditional static heat will ensure food remains moist when cooked for longer periods of time.



Convection Bake:

The elements combined with the fan aim to provide more uniform heat, a similar method to conventional cooking, so pre-heat is required. Most suitable for items requiring slow cooking methods.



European convection:

Hot air fan cooking that provides quick, multi layered cooking with excellent browning results. Due to the effective circulation of hot air, there is no flavour transfer between foods. Delicate and strongly fragranced foods can be cooked at the same time.



Convection broil:

The fan reduces the fierce heat from the broiler, providing an excellent method of grilling various foods, chops, steaks, sausages etc. giving even browning and heat distribution, without drying out the food. The top two levels recommended for use, and the lower part of the oven can be used to keep items warm at the same time, an excellent facility when cooking a grilled breakfast.



Broiler:

For rapid cooking and browning of foods. Best results can be obtained by using the top shelf for small items, the lower shelves for larger ones, such as chops or sausages. For half grill heat is generated only at the centre of the element, so is ideal for smaller quantities.



Pizza function:

The simultaneous operation of these three elements ensures an optimum cooking facility, ideal not only for pizza but also for cookies, quiches and flans.



Rotisserie with broil:

The rotisserie (where installed) works in combination with the broil element to brown foods to perfection.



Defrost at time:

Defrost at time



Vapor Clean:

a simple cleaning function using steam to loosen deposits in the oven cavity.

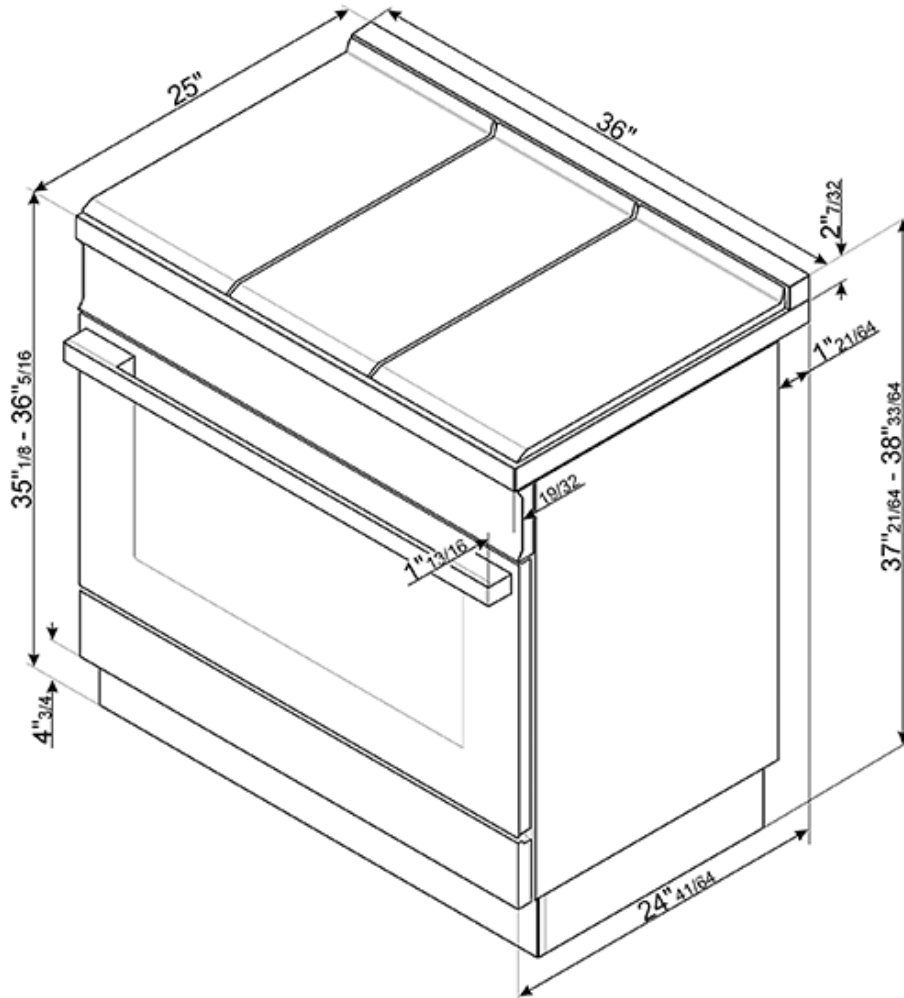


CPF36UGMR

Portofino

36"
red

cooktops type: gas
oven type: electric multifunction



SMEG U.S.A. INC.
A&D BUILDING
150 EAST 58th STREET, 7th FLOOR
NEW YORK, NY, 10155
Tel. +1 212 265 5378
Fax +1 212 265 5945