

# PU75ES



Product Family	Hob
Built-in type	Traditional
Dimensions	30"
Power supply	Gas
Type	Gas
EAN code	8017709184483



## Aesthetics



Aesthetic	Piano Design
Colour	Stainless steel
Finishing	Satin
Material	Stainless Steel
Type of steel	Brushed
Pan stands	Stainless steel
Pan Stand Coating	EverShine
Burners	Piano Design
Burners Material	Stainless steel
Burner Coating	EverShine
Type of control setting	Control knobs
Control knob position	Front
No. of controls	5
Controls colour	Steel effect

## Programs / Functions

Total no. of cook zones	5
No. of gas cook zones	5

## Options



Worktop Cut-Out	478-482x555-560 mm
-----------------	--------------------

## Technical Features

**UR**

Front-right - Gas - AUX

Rear-right - Gas - Semi Rapid

Central - Gas - UR

Rear-left - Gas - Rapid

Front-left - Gas - AUX

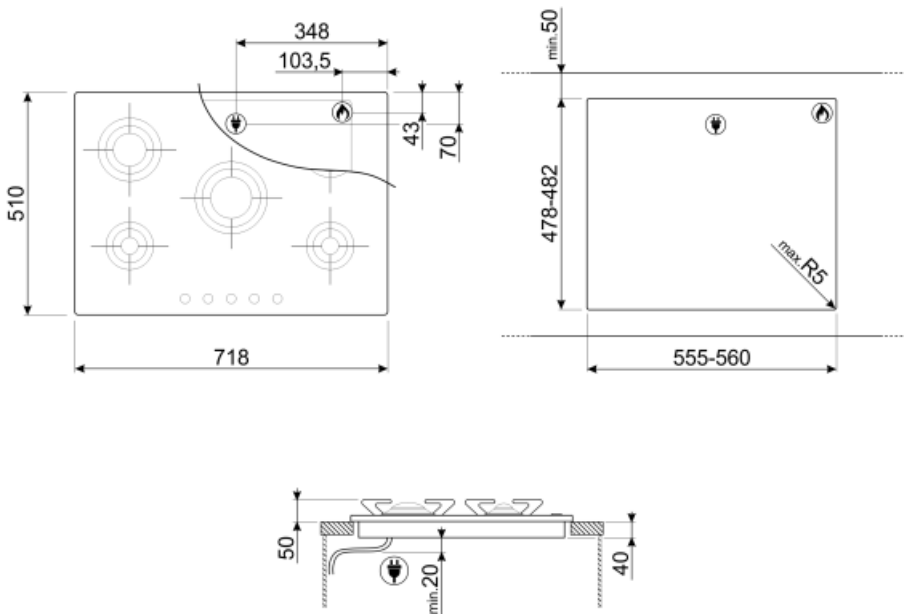
<b>Gas safety valves</b>	Yes	<b>Automatic Ignition</b>	Yes
--------------------------	-----	---------------------------	-----

## Electrical Connection

<b>Electrical connection rating (W)</b>	1 W	<b>Power supply cable length</b>	47 1/4 "
<b>Voltage (V)</b>	120 V	<b>Terminal box</b>	3 poles
<b>Type of electric cable</b>	Single phase	<b>Plug</b>	B
<b>Frequency (Hz)</b>	60 Hz		


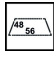



## Gas Connection

<b>Gas Type</b>	G20 Natural gas	<b>Other gas nozzles included</b>	G30 GPL Liquid gas
<b>Gas connection</b>	Cilindrical		



## Symbols glossary (TT)

---

	Standard installation: Traditional installation in tabletop, suitable for any kitchen sets		CUT_OUT_STANDARD_72dpi
	Ever Shine: is an invisible coating that makes the effected area highly resistant to heat.		Ultra rapid burners: Powerful ultra rapid burners offer up to 5kw of power.
	Knobs control		