



TRU36GGX New product

Victoria

Free-standing All-Gas "Victoria" Range
36" - Stainless steel

EAN13: 8017709220945

Traditional Style

Electronic clock with programmable features
Full-width continuous grates
Stainless steel storage drawer beneath the oven
1 ¼" Island Trim

Gas oven:

2 cooking modes
Programmable timer
Adjustable thermostat 122° -500°F
Air-cooled triple-glazed removable door
True European convection
Oven capacity: 4.4 cu. ft.
"Ever-Clean" enameled interior cavity
4 shelf positions
2x halogen oven lights
Bake element 1.7 kW
Broil element 2.9 kW
Convection element 1.55 kW

Gas Rangetop:

5 gas burners
Right-rear 6500 BTU
Left-rear 6500 BTU
Right-rear 3400 BTU
Left-front 10000 BTU
Central double-inset super burner 18000 BTU
Heavy-duty cast iron grates
Automatic electric ignition
LP gas conversion kit included

Safety:

Gas safety valves
Air-cooled door to prevent overheating
Connected load nominal power: 240/120V
Voltage rating: @ 240/120V 60Hz
Amp supply required: 240/120V - 15/13.5Amps
Gas inlet location: back top-right

Accessories included:

1 wok ring
1 moka ring
1 rotisserie kit
2 baking trays
2 chrome shelves



5 1/3" backsplash

Functions



Versions

- **TRU36GGBL** - Glossy black
- **TRU36GGP** - Cream enamel

SMEG U.S.A. INC.
A&D BUILDING
150 EAST 58th STREET, 7th FLOOR
NEW YORK, NY, 10155
Tel. +1 212 265 5378
Fax +1 212 265 5945



TRU36GGX

Victoria

36"
stainless steel
cooktops type: gas
oven type: gas



Main Oven



Convection Gas with Fan:

Convection gas with fan cook mode allows different foods to be cooked at the same time on different racks, without odour transfer. The numerous benefits include more uniform heat, more constant temperature and reduced pre-heat time which create excellent and efficient performance.



Defrost:

The circulation of air at room temperature enables quicker thawing of frozen food, (without the use of any heat). Ideal for use prior to cooking of readymade dishes, or cream filled products etc.

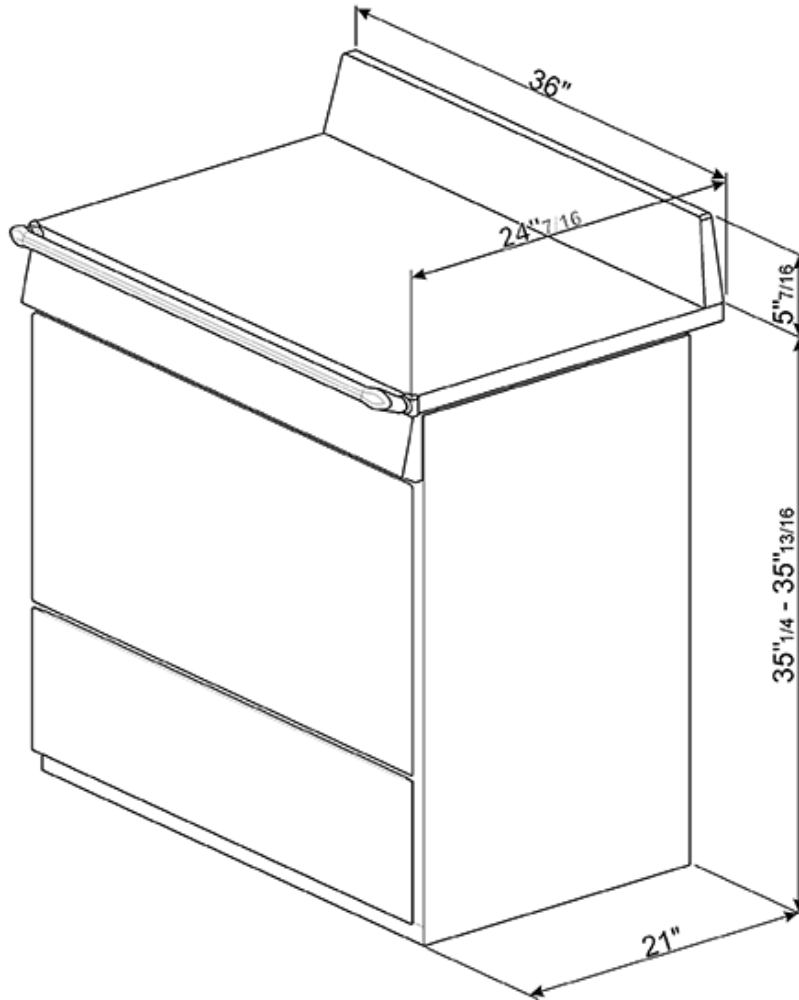
SMEG U.S.A. INC.
A&D BUILDING
150 EAST 58th STREET, 7th FLOOR
NEW YORK, NY, 10155
Tel. +1 212 265 5378
Fax +1 212 265 5945



TRU36GGX

Victoria

36"
stainless steel
cooktops type: gas
oven type: gas



SMEG U.S.A. INC.
A&D BUILDING
150 EAST 58th STREET, 7th FLOOR
NEW YORK, NY, 10155
Tel. +1 212 265 5378
Fax +1 212 265 5945