



## C36GGBU

### classic

Free-Standing Gas Range, 36",  
White

EAN13: 8017709217389

#### Professional style

AISI 304 stainless steel

Sturdy American control knobs

4" Polished stainless steel backsplash

#### Gas Oven:

3 Cooking modes

Gas Convection mode

Broil mode

Defrost mode

Fan option for static gas

"Ever-clean" enamelled oven interior

4 Shelf positions

Air cooled triple glazed removable door

2 Lights oven lights

Oven capacity: 4.4 Cu. Ft

Gas broil element: 19,000 BTU

Gas bake element: 18,000 BTU

#### Gas Rangetop:

Heavy duty cast iron grates

Full width grates

Sealed burners

Automatic electronic ignition

Safety valves

LP Gas conversion kit included

#### 6 Gas Burners:

Front right: 6,200 BTU rapid burner

Back right: 10,000 BTU rapid burner

Front center: 3,400 BTU burner

Back-right double-inset super burner: 3,000 BTU inner,  
12,000 BTU outer

Front left: 6,200 BTU burner

Back left: 3,400 BTU burner

#### Safety:

Gas safety valves

Ventilated door with cooling system to prevent  
overheating

Anti-tilting norms satisfied

Suitable for building-in

Connected load nominal power 120V

Amp supply required @120V: 1.2 Amp

Voltage rating: 120V 60Hz



Gas inlet location: back top right

**Accessories Included:**

- 1 Baking tray
- 1 Chrome shelf
- 1 Wire rack
- 1 Wok ring
- 1 Moka ring

**Options**

---

- **KITI36XU** - Island trim
- **8MCCU** - "Classic" control knob kit

**SMEG U.S.A. INC.  
A&D BUILDING  
150 EAST 58th STREET, 7th FLOOR  
NEW YORK, NY, 10155  
Tel. +1 212 265 5378  
Fax +1 212 265 5945**



# C36GGBU

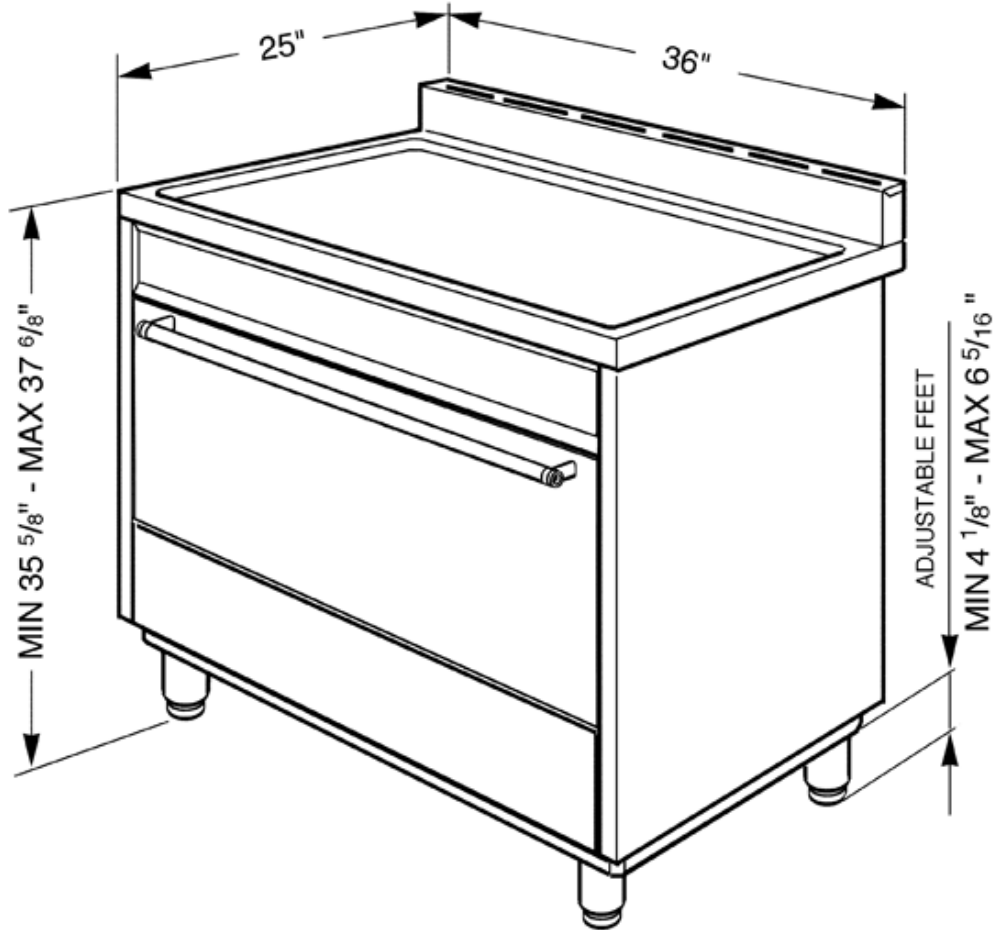
classic

30"

white

cooktops type: gas

oven type: gas



SMEG U.S.A. INC.  
A&D BUILDING  
150 EAST 58th STREET, 7th FLOOR  
NEW YORK, NY, 10155  
Tel. +1 212 265 5378  
Fax +1 212 265 5945