

Cooktop Ventilation Hoods Use & Care Guide



Contents

- 4 Safety Precautions
- 6 Hood Features
- 7 Hood Operation
- 9 Care Recommendations
- 10 Troubleshooting
- 11 Wolf Warranty

Customer Care

The model and serial number are printed on the enclosed product registration card. Both numbers are also listed on the product rating plate. Refer to page 10 for rating plate location. For warranty purposes, you will also need the date of installation and name of your authorized Wolf dealer. Record this information below for future reference.

If your product ever needs attention, be sure to use a Wolf factory certified service provider recommended by our customer care center, or select one from our list of providers available at wolfappliance.com/locator. All factory certified service providers are carefully selected and thoroughly trained by us.

SERVICE INFORMATION

Model Number

Serial Number

Date of Installation

Certified Service Name

Certified Service Number

Authorized Dealer

Dealer Number

Important Note

To ensure this product is installed and operated as safely and efficiently as possible, take note of the following types of highlighted information throughout this guide:

IMPORTANT NOTE highlights information that is especially important.

CAUTION indicates a situation where minor injury or product damage may occur if instructions are not followed.

WARNING states a hazard that may cause serious injury or death if precautions are not followed.

IMPORTANT NOTE: Throughout this guide, dimensions in parentheses are millimeters unless otherwise specified.

Thank You

Thank you for your purchase. We look forward to being part of your home for decades to come. As a third-generation family-owned company, we take a very personal stake in the preparation of your family's food. We built our business and our reputation on helping families serve the finest food possible.

With your purchase, you receive one of the strongest warranties in the appliance industry. Take a moment to read the full warranty statement on page 11. It's also important to register your Wolf appliance to ensure that you don't miss out on exclusive owner benefits, such as; assurance that you will be taken care of in the unlikely event that service becomes necessary during the warranty period, and a proof-of-purchase record in case of a home insurance claim. You may register by one of the following options:

- Mail in the completed Wolf product registration card.
- Register online at wolfappliance.com/register and create a personalized My Sub-Zero/ Wolf account using the serial number on your product.
- Register by phone by calling Wolf Customer Care at 800-222-7820.

As a Wolf owner, you can count on ongoing support, day in and day out. Our customer care center is available 24 hours a day, seven days a week and staffed by knowledgeable product experts at our factory in Madison, Wisconsin. Should the need arise, simply call 800-222-7820 and speak with one of our product experts. They will help troubleshoot any issues you might have.

We are confident this guide will answer your questions about the features, operation, and maintenance of your Wolf, but if you have additional questions, please contact us at 800-222-7820 or visit us online at wolfappliance.com.



IMPORTANT INSTRUCTIONS

READ AND SAVE THESE INSTRUCTIONS

- Read this use & care guide carefully before using your new ventilation hood to reduce the risk of fire, electric shock or injury to persons.
- Ensure proper installation and servicing. This appliance must be properly installed and grounded by a qualified technician.
- Warranty service must be performed by Wolf factory certified service.
- Installation work and electrical wiring must be done by qualified person(s) in accordance with all applicable codes and standards, including fire-rated construction codes and standards.

▲ WARNING

TO REDUCE THE RISK OF FIRE, ELECTRIC SHOCK, OR INJURY TO PERSONS, OBSERVE THE FOLLOWING:

- a) Use this unit only in the manner intended by the manufacturer. If you have questions, contact the manufacturer.
- b) Before servicing or cleaning unit, unplug the appliance or switch power off at service panel and lock the service disconnecting means to prevent power from being switched on accidentally. When the service disconnecting means cannot be locked, securely fasten a prominent warning device, such as a tag, to the service panel.

GENERAL SAFETY PRECAUTIONS

- Sufficient air is needed for proper combustion and exhausting of gases through the flue (chimney) of fuel burning equipment to prevent back drafting.
- Follow the heating equipment manufacturer's guideline and safety standards such as those published by the National Fire Protection Association (NFPA), the American Society for Heating, Refrigeration and Air Conditioning Engineers (ASHRAE) and the local code authorities.
- Do not operate any fan with a damaged cord or plug. Discard fan or return to an authorized service facility for examination and/or repair.
- This appliance must be grounded.

▲ CAUTION

For general ventilating use only. Do not use to exhaust hazardous or explosive materials and vapors.

- Ducted fans must always be vented to the outdoors.
- To reduce the risk of fire, use only steel ductwork.
- Do not wear loose-fitting or hanging clothing when operating this appliance. It may be ignited by burners or elements on the cooktop.
- Children should not be left alone or unattended in the area where this appliance is in use.

▲ CAUTION

To reduce the risk of fire and properly exhaust air, be certain to duct air outside. Do not vent exhaust air into spaces within walls or ceilings or into attics, crawl spaces or garages.

IMPORTANT INSTRUCTIONS

GENERAL SAFETY PRECAUTIONS

- Do not repair or replace any part of this appliance unless specifically recommended in this guide. All other service should be performed by a qualified technician.
- To avoid motor bearing damage and noisy or unbalanced impellers, keep drywall spray, construction dust, etc. off power unit.
- When cutting or drilling into wall or ceiling, do not damage electrical wiring or other hidden utilities.
- Please read the specification label on the ventilation hood for further information and requirements.

⚠ WARNING

TO REDUCE THE RISK OF A RANGE TOP GREASE FIRE:

- a) Never leave surface units unattended at high settings. Boilovers cause smoking and greasy spillovers that may ignite. Heat oils slowly on low or medium settings.
- b) Always turn hood ON when cooking at high heat or when flambéing food (i.e. Crepes Suzette, Cherries Jubilee, Peppercorn Beef Flambé).
- c) Clean ventilating fans frequently. Grease should not be allowed to accumulate on fan or filter.
- d) Use proper pan size. Always use cookware appropriate for the size of the surface element.

⚠ WARNING

TO REDUCE THE RISK OF INJURY TO PERSONS IN THE EVENT OF A RANGE TOP GREASE FIRE, OBSERVE THE FOLLOWING*:

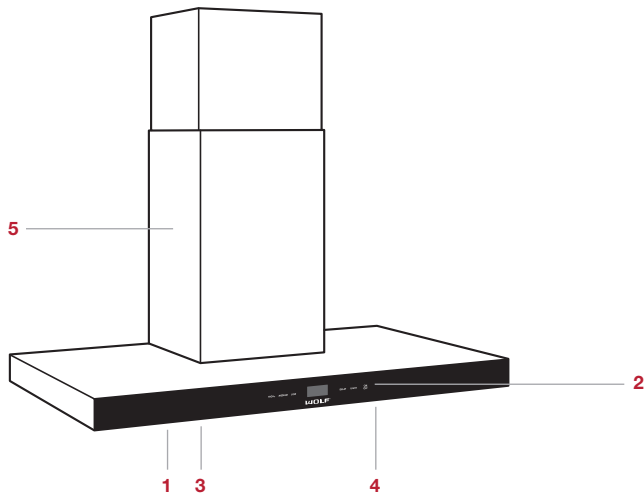
- a) **SMOTHER FLAMES** with a close-fitting lid, cookie sheet, or metal tray, then turn off the burner. **BE CAREFUL TO PREVENT BURNS.** If the flames do not go out immediately, **EVACUATE AND CALL THE FIRE DEPARTMENT.**
- b) **NEVER PICK UP A FLAMING PAN**—You may be burned.
- c) **DO NOT USE WATER**, including wet dishcloths or towels—a violent steam explosion will result.
- d) Use an extinguisher **ONLY** if:
 - 1) You know you have a Class ABC extinguisher, and you already know how to operate it.
 - 2) The fire is small and contained in the area where it started.
 - 3) The fire department is being called.
 - 4) You can fight the fire with your back to an exit.

*Based on “Kitchen Fire Safety Tips” published by NFPA.

Ventilation Hood Features

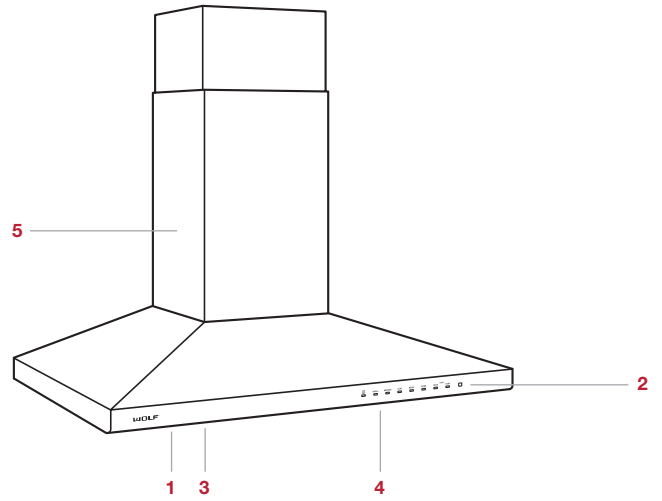
FEATURE	
1	Product Rating Plate (above filters)
2	Control Panel
3	Filters
4	LED Lighting
5	Telescopic Chimney Flue

BLACK



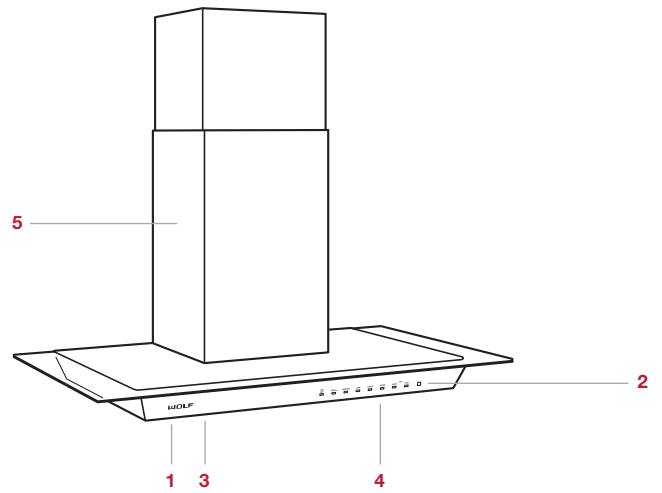
36" wall hood shown.

STAINLESS



36" wall hood shown.

GLASS



36" wall hood shown.

Control Panel

BLACK

To operate the ventilation hood, use the touch control panel on the front of the hood. Indicators will be visible in the control panel display. Refer to the chart and illustration below.

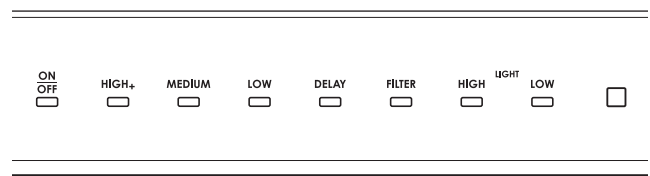
INDICATOR	FUNCTION
1	Low blower speed.
2	Medium blower speed.
3	High blower speed.
HI	Boost has been activated.
FC	Replace charcoal filter. (recirculation application only).
FG	Clean grease filters.
FF	Filter indicator has been reset.
IR	Remote control has been enabled/disabled.



Black control panel and display.

STAINLESS/GLASS

To operate the ventilation hood, use the control panel on the front of the hood. Place a finger on the LED indicator and the unit will optically detect and activate the selected option. LED indicators for activated controls will illuminate. Refer to the illustration below.



Stainless/glass control panel.

Control Panel

BLOWER

To adjust blower speed, touch HIGH+, MEDIUM or LOW. Touch again to turn the blower off.

To initiate boost mode, touch and hold HIGH+ for 3 seconds. Boost increases airflow by approximately 20% more than high, but is limited to 10 minutes. After 10 minutes, the blower will automatically transition to the previous selected speed.

DELAY

The delay feature automatically turns the lights and blower off after 10 minutes of operation.

FILTER

After approximately 100 hours of operation, the filter indicator will signal the filters need to be cleaned. Refer to filter removal and care recommendations on page 9.

For black hoods, 'FG' or 'FC' (recirculation application) will illuminate on the control panel display. To reset the filter indicator, touch and hold DELAY for 5 seconds until 'FF' appears on the display.

For stainless/glass hoods, the filter LED will illuminate on the control panel. To reset the filter indicator, touch FILTER for 5 seconds.

LIGHT

For black hoods, touch LIGHT for high or touch and hold for 2 seconds for low. Touch again to turn lights off.

For stainless/glass hoods, touch LIGHT—HIGH or LOW. Touch again to turn lights off.

ON/OFF

Touch ON/OFF to turn the blower on low. Touch again to turn the blower off.

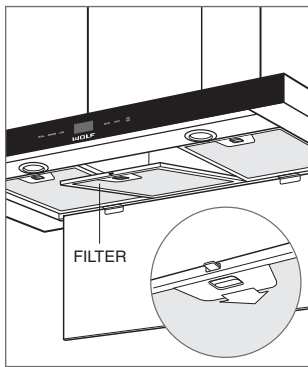
Filter Removal

The grease filters should be cleaned when the filter indicator is illuminated on the control panel, or after approximately 100 hours of operation. The filters are dishwasher safe. Refer to care recommendations.

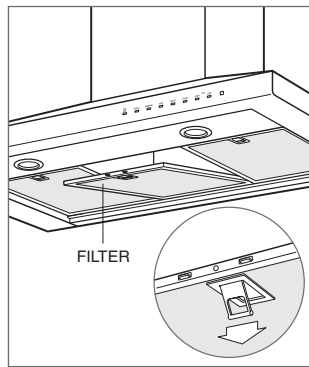
For black hoods, to access filters, release the catch and gently pull down the front edge of the bottom panel of the hood and allow it to rotate downward. For stainless/glass hoods, there is no bottom panel.

To remove filters, refer to the illustrations below.

IMPORTANT NOTE: Do not operate the ventilation hood without the grease filters.



Filter removal—black.



Filter removal—stainless/glass.

Care Recommendations

CLEANING

Stainless steel Use a nonabrasive stainless steel cleaner and apply with a soft lint-free cloth. To bring out the natural luster, lightly wipe surface with a water-dampened microfiber cloth followed by a dry polishing chamois. Always follow the grain of stainless steel.

Control panel Use a spray degreaser to remove fingerprints and food soil. Spray on a cloth before wiping the panel. Spray glass cleaner on a cloth to clean black glass.

IMPORTANT NOTE: Do not spray cleaners directly on the control panel.

Filters Filters are dishwasher safe and are designed to fit most dishwashers. Wipe filters to remove excess grease before placing in the dishwasher.

Troubleshooting

OPERATION

Ventilation hood does not operate.

- Verify power is on.
- Verify electrical power to hood and home circuit breaker is on.

Blower runs but lights do not operate.

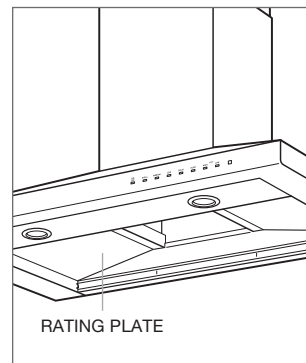
- Verify bulbs have not burned out.

Light bulb is burned out.

- LED lighting must be replaced by Wolf factory certified service.

SERVICE

- Maintain the quality built into your product by contacting Wolf factory certified service. For the name of the nearest Wolf factory certified service, check the contact & support section of our website, wolfappliance.com or call Wolf customer care at 800-222-7820.
- When contacting service, you will need the model and serial number of your product. Both numbers are listed on the product rating plate. Refer to the illustration below for rating plate location.
- For warranty purposes, you will also need the date of installation and name of your authorized Wolf dealer. This information should be recorded on page 2 of this guide.



Rating plate location.

Wolf Appliance Residential Limited Warranty

FOR RESIDENTIAL USE

FULL TWO YEAR WARRANTY*

For two years from the date of original installation, this Wolf Appliance product warranty covers all parts and labor to repair or replace, under normal residential use, any part of the product that proves to be defective in materials or workmanship. All service provided by Wolf Appliance under the above warranty must be performed by Wolf factory certified service, unless otherwise specified by Wolf Appliance, Inc. Service will be provided during normal business hours.

LIMITED FIVE YEAR WARRANTY

For five years from the date of original installation, Wolf Appliance will repair or replace the following parts that prove to be defective in materials or workmanship: gas burners (excludes appearance), electric heating elements, blower motors (ventilation hoods), electronic control boards, magnetron tubes and induction generators. If the owner uses Wolf factory certified service, the service provider will repair or replace these parts with the owner paying for all other costs, including labor. If the owner uses non-certified service, the owner must contact Wolf Appliance, Inc. (using the information below) to receive repaired or replacement parts. Wolf Appliance will not reimburse the owner for parts purchased from non-certified service or other sources.

TERMS APPLICABLE TO EACH WARRANTY

The warranty applies only to products installed for normal residential use. The warranty applies only to products installed in any one of the fifty states of the United States, the District of Columbia or the ten provinces of Canada. This warranty does not cover any parts or labor to correct any defect caused by negligence, accident or improper use, maintenance, installation, service or repair.

THE REMEDIES DESCRIBED ABOVE FOR EACH WARRANTY ARE THE ONLY ONES THAT WOLF APPLIANCE, INC. WILL PROVIDE, EITHER UNDER THIS WARRANTY OR UNDER ANY WARRANTY ARISING BY OPERATION OF LAW. WOLF APPLIANCE, INC. WILL NOT BE RESPONSIBLE FOR ANY CONSEQUENTIAL OR INCIDENTAL DAMAGES ARISING FROM THE BREACH OF THIS WARRANTY OR ANY OTHER WARRANTY, WHETHER EXPRESS, IMPLIED OR STATUTORY.

Some states do not allow the exclusion or limitation of incidental or consequential damages, so the above limitation or exclusion may not apply to you. This warranty gives you specific legal rights and you may also have other legal rights that vary from state to state.

To receive parts and/or service and the name of Wolf factory certified service nearest you, contact Wolf Appliance, Inc., P.O. Box 44848, Madison, WI 53744; check the contact & support section of our website, wolfappliance.com, email us at customerservice@subzero.com or call 800-222-7820.

*Stainless steel (doors, panels, handles, product frames and interior surfaces) are covered by a limited 60-day parts and labor warranty for cosmetic defects.

*Replacement filters for ventilation hood recirculating kits are not covered by the product warranty.



Contenido

- 4 Precauciones de seguridad
- 6 Funciones de la campana
- 7 Funcionamiento de la campana
- 9 Recomendaciones para el cuidado
- 10 Resolución de problemas
- 11 Garantía de Wolf

Atención al cliente

El modelo y número de serie están impresos en la tarjeta de registro del producto adjunta. Los dos números también aparecen en la placa de datos del producto. Consulte la página 10 para encontrar la placa de datos. Para fines de la garantía, usted también necesitará la fecha de instalación y el nombre de su distribuidor autorizado de Wolf. Anote esta información abajo para referencia futura.

Si su producto alguna vez necesita servicio asegúrese de usar un proveedor de servicios certificado por Wolf y recomendado por nuestro centro de atención al cliente, o seleccione uno de nuestra lista de proveedores en wolfappliance.com/locator. Todos los proveedores de los centros de servicio autorizados han sido cuidadosamente seleccionados y entrenados a fondo por nosotros.

INFORMACIÓN PARA SERVICIO

Número de modelo

Número de serie

Fecha de instalación

Nombre de servicio certificado

Número de servicio certificado

Distribuidor autorizado

Número de distribuidor

Aviso importante

Para garantizar que este producto se instale y opere de la forma más segura y eficiente posible, tome nota de los siguientes tipos de información resaltada en esta guía:

AVISO IMPORTANTE señala la información que es especialmente importante.

PRECAUCIÓN indica una situación en la que se pueden sufrir heridas leves o provocar daños al producto si no se siguen las instrucciones.

ADVERTENCIA indica peligro de que se produzcan heridas graves o incluso la muerte si no se siguen las precauciones.

AVISO IMPORTANTE: En toda esta guía, las dimensiones entre paréntesis son milímetros, a menos que se especifique lo contrario.

Gracias

Muchas gracias por su compra. Esperamos poder ser parte de su hogar durante las décadas venideras. Como una empresa familiar de tercera generación, tenemos un interés muy personal en la preparación de los alimentos de su familia. Hemos construido nuestro negocio y nuestra reputación al ayudar a las familias a servir comida de la mejor calidad posible.

Con su compra, usted recibe una de las garantías más sólidas en la industria de los electrodomésticos. Lea la declaración de garantía completa de la página 11. También es importante que registre su Wolf para asegurarse de no perder los beneficios de propietario exclusivo, como por ejemplo, la garantía de que va a recibir atención en el improbable caso de que necesite servicio durante el periodo de garantía, y un registro de prueba de compra en caso de una reclamación sobre el seguro de vivienda. Puede registrarse mediante una de las siguientes opciones:

- Envíe a Wolf la tarjeta de registro del producto llena.
- Regístrese en línea en wolfappliance.com/register y cree una cuenta personal en My Sub-Zero/Wolf con el número de serie de su producto.
- Regístrese por teléfono llamando a la línea de atención al cliente de Wolf al 800-222-7820.

Como propietario de un electrodoméstico Wolf, puede contar con soporte técnico constante, día tras día. Nuestro centro de atención al cliente está disponible 24 horas al día, los siete días de la semana, y lo conforman expertos conocedores del producto en nuestra fábrica en Madison, Wisconsin. En caso necesario, simplemente llame al 800-222-7820 y hable con uno de los expertos de nuestros productos. Ellos le ayudarán a solucionar cualquier problema que pueda tener.

Estamos seguros de que esta guía contestará sus preguntas acerca de las características, el funcionamiento y mantenimiento de su electrodoméstico Wolf, pero si usted tiene preguntas adicionales, póngase en contacto con nosotros en el 800-222-7820 o visítenos en línea en wolfappliance.com.



INSTRUCCIONES IMPORTANTES

LEA Y GUARDE ESTAS INSTRUCCIONES

- Lea este manual de uso y cuidado con atención antes de utilizar su nueva campana de ventilación para reducir el riesgo de incendio, descarga eléctrica o lesiones a alguna persona.
- Asegúrese de que la instalación y el servicio sean los apropiados. Este electrodoméstico debe ser instalado y conectado a tierra por un técnico calificado.
- El servicio de garantía debe ser realizado por un centro de servicio autorizado de Wolf.
- Una persona calificada debe realizar el trabajo de instalación y cableado eléctrico de conformidad con todos los códigos y normas aplicables, incluyendo los códigos y normas para las construcciones a prueba de fuego.

⚠ ADVERTENCIA

PARA REDUCIR EL RIESGO DE INCENDIO, DESCARGA ELÉCTRICA O LESIONES A LAS PERSONAS, TOMÉ LAS SIGUIENTES PRECAUCIONES:

- a) Utilice esta unidad solamente de la manera prevista por el fabricante. Si tiene alguna pregunta, póngase en contacto con el fabricante.
- b) Antes de reparar o limpiar la unidad, desconecte el aparato o apague el interruptor de encendido en el panel de servicio y bloquee los medios de desconexión del servicio para evitar que se encienda accidentalmente. Cuando no sea posible bloquear los medios de desconexión del servicio, sujete firmemente un dispositivo de advertencia prominente, como una etiqueta, en el panel de servicio.

PRECAUCIONES GENERALES DE SEGURIDAD

- Se necesita suficiente aire para permitir una combustión y escape de gases adecuados por el tubo de chimenea del equipo quemador de combustible para evitar que se produzcan llamaradas.
- Siga las directrices del fabricante del equipo de calefacción y las normas de seguridad como las publicadas por la Asociación Nacional de Protección contra Incendios (NFPA, por sus siglas en inglés) y la Sociedad Estadounidense de Ingenieros en Calefacción, Refrigeración y Aire Acondicionado (ASHRAE, por sus siglas en inglés) y los códigos de las autoridades locales.
- Nunca opere un ventilador con un cable o enchufe dañado. Deseche el ventilador o devuélvalo a un centro de servicio autorizado para su revisión y/o reparación.
- Este electrodoméstico debe conectarse a tierra.

⚠ PRECAUCIÓN

Uso exclusivo para ventilación general. No lo utilice para extraer materiales o vapores peligrosos o explosivos.

- Los ventiladores con conductos siempre deben descargarse hacia el exterior.
- Para reducir el riesgo de incendio, utilice solamente conductos de acero.
- No utilice ropa holgada ni con aplicaciones sueltas al utilizar este electrodoméstico. Esta puede incendiarse con los quemadores o elementos calefactores de la estufa.
- No deje a los niños menores solos ni desatendidos en el área donde se utiliza este electrodoméstico.

⚠ PRECAUCIÓN

Para reducir el riesgo de incendio y extraer el aire de manera apropiada, asegúrese de dirigir el aire hacia el exterior. No ventile el aire del escape en espacios cerrados por paredes o techos, áticos, espacios angostos o garajes.

INSTRUCCIONES IMPORTANTES

PRECAUCIONES GENERALES DE SEGURIDAD

- No intente reparar ni cambiar parte alguna de este electrodoméstico a menos que esté específicamente recomendado en esta guía. Todas las demás reparaciones deben ser ejecutadas por un técnico calificado.
- Para evitar daños a los cojinetes del motor e impulsores ruidosos o desequilibrados, mantenga los rocíos de yeso, el polvo de construcción, etcétera lejos de la unidad de potencia.
- Al cortar o perforar la pared o el techo, no dañe el cableado eléctrico u otros servicios ocultos.
- Lea la etiqueta de especificaciones que se encuentra en la campana de ventilación para obtener más información sobre los requisitos.

⚠ ADVERTENCIA

PARA REDUCIR EL RIESGO DE INCENDIO POR IGNICIÓN DE LA GRASA EN LA ESTUFA:

- a) Nunca deje desatendidas las unidades superficiales en una programación de alta temperatura. El rebosamiento por ebullición genera humo y los derrames de grasa pueden incendiarse. Caliente los aceites lentamente a temperatura baja o media.
- b) Siempre **ENCIENDA** la campana al cocinar a altas temperaturas o al flamear alimentos (es decir, crepas suzette, cerezas jubileo, ternera flambeada con granos de pimienta).
- c) Limpie los ventiladores con frecuencia. No permita que la grasa se acumule en el ventilador o en el filtro.
- d) Utilice el tamaño de sartén adecuado. Utilice siempre utensilios de cocina apropiados para el tamaño del elemento superficial.

⚠ ADVERTENCIA

PARA REDUCIR EL RIESGO DE LESIONES A LAS PERSONAS EN CASO DE INCENDIO POR IGNICIÓN DE GRASA EN UNA ESTUFA, OBEDEZCA LAS PRECAUCIONES SIGUIENTES*:

- a) **SOFOQUE LAS FLAMAS** con una tapa ajustada, una lámina para hornear galletas o una bandeja metálica y a continuación apague el quemador. **TENGA CUIDADO PARA EVITAR QUEMADURAS.** Si las flamas no se apagan inmediatamente, **EVACÚE EL LUGAR Y LLAME AL DEPARTAMENTO DE BOMBEROS.**
- b) **NUNCA LEVANTE UN SARTÉN EN LLAMAS:** usted puede quemarse.
- c) **NO UTILICE AGUA** y tampoco use paños de cocina ni toallas húmedas ya que esto causará una explosión violenta de vapor.
- d) **SOLAMENTE** utilice un extinguidor si:
 - 1) Tiene un extinguidor Clase ABC y usted sabe cómo operarlo.
 - 2) El incendio es pequeño y está contenido en el área dónde se inició.
 - 3) Alguien está llamando al departamento de bomberos.
 - 4) Usted puede combatir el incendio de espaldas a una salida de emergencia.

*Basado en "Consejos de seguridad contra incendios en la cocina" publicado por la NFPA.

Funciones de la campana de ventilación

CARACTERÍSTICA	
1	Placa de datos del producto (debajo de los filtros)
2	Panel de control
3	Filtros
4	Luz LED
5	Tubo de chimenea telescópico

NEGRO

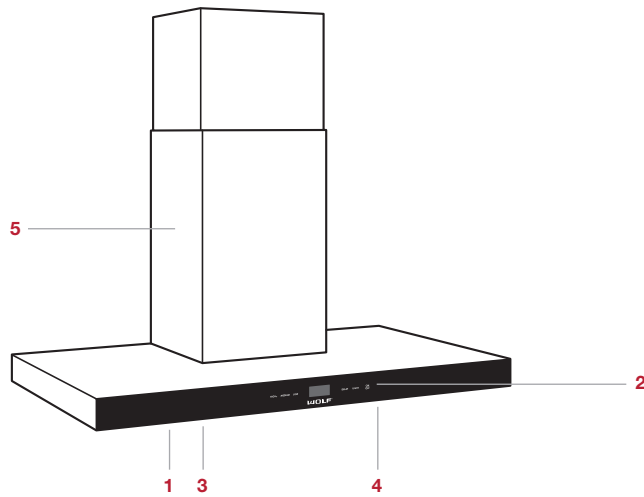


Imagen de campana de pared de 36".

INOXIDABLE

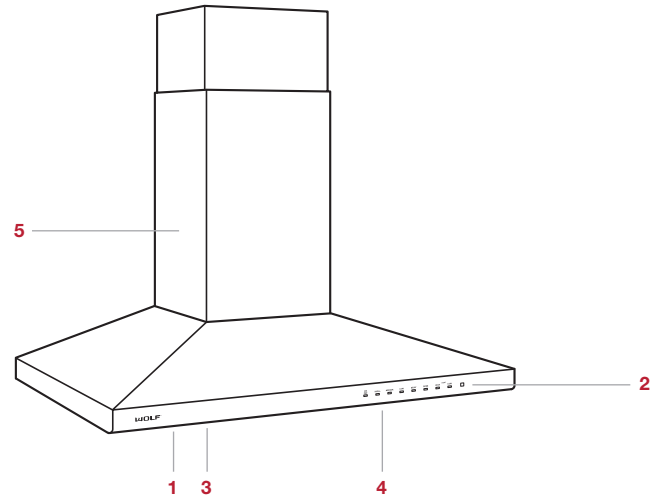


Imagen de campana de pared de 36".

VIDRIO

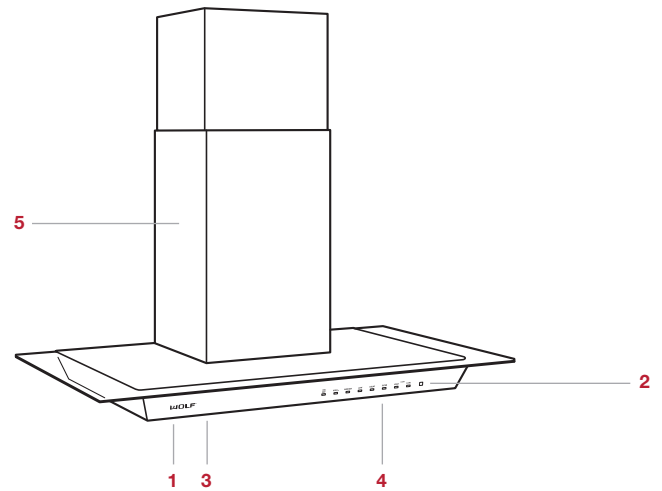


Imagen de campana de pared de 36".

Panel de control

NEGRO

Para operar la campana de ventilación, utilice el panel de control táctil de la parte frontal de la campana. Los indicadores aparecerán en la pantalla exterior del panel de control. Consulte la tabla y la ilustración siguientes.

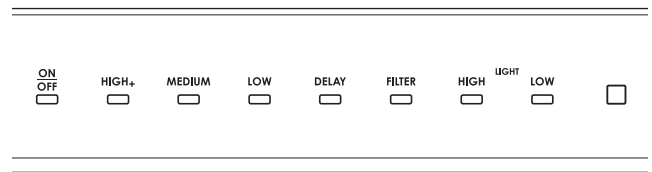
INDICADOR	FUNCIÓN
1	Velocidad baja del extractor.
2	Velocidad media del extractor.
3	Velocidad alta del extractor.
HI	Se ha activado el modo de aumento
FC	Sustituya el filtro de carbón. (solamente función de recirculación).
FG	Limpie los filtros de grasa.
FF	Se ha reiniciado el indicador de filtros.
IR	Se ha activado/desactivado el control remoto.



Panel de control y pantalla negra.

INOXIDABLE Y VIDRIO

Para operar la campana de ventilación, utilice el panel de control de la parte frontal de la campana. Coloque el dedo en el indicador LED y la unidad detectará y activará de forma óptica la opción seleccionada. Se iluminarán los indicadores LED de los controles activados. Consulte la siguiente ilustración.



Panel de control de campanas inoxidable o de vidrio.

Panel de control

EXTRACTOR

Para ajustar la velocidad del extractor, toque HIGH+ (Alta), MEDIUM (Media) o LOW (Baja). Toque de nuevo para apagar el extractor.

Para iniciar el modo de aumento, toque HIGH+ durante 3 segundos. El modo de aumento incrementa el flujo de aire aproximadamente 20% más que la velocidad alta pero está limitado a 10 minutos. Después de 10 minutos, el extractor regresará automáticamente a la velocidad seleccionada.

TEMPORIZADOR

La función de temporizador apaga automáticamente las luces y el extractor después de 10 minutos de funcionamiento.

FILTRO

Después de aproximadamente 100 horas de operación, el indicador de filtros mostrará que es necesario limpiar los filtros. Consulte las recomendaciones sobre sustitución y cuidado de filtros en la página 9.

En las campanas negras, 'FG' o 'FC' (función de recirculación) se iluminará en la pantalla del panel de control. Para reiniciar el indicador de filtros, toque DELAY durante 5 segundos hasta que aparezca 'FF' en la pantalla.

En el caso de las campanas inoxidable o de vidrio, el LED del filtro se encenderá en el panel de control. Para reiniciar el indicador de filtros, toque FILTER durante 5 segundos.

LUZ

En las campanas negras, toque LIGHT para una luz alta o toque LIGHT durante 2 segundos para una luz baja. Toque de nuevo para apagar las luces.

En las campanas inoxidable o de vidrio, toque LIGHT—HIGH o LOW (luz alta o baja). Toque de nuevo para apagar las luces.

ENCENDIDO Y APAGADO

Toque ON/OFF (encendido/apagado) para encender el extractor. Toque de nuevo para apagar el extractor.

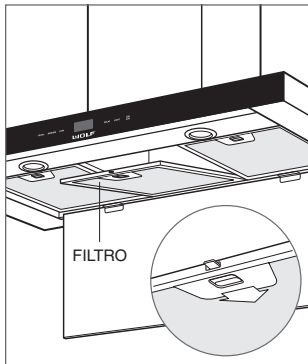
Extracción del filtro

Los filtros de grasa se deben limpiar cuando se ilumine el indicador de filtros en el panel de control, después de aproximadamente 100 horas de funcionamiento. Es seguro lavar los filtros en lavavajillas. Consulte las recomendaciones sobre cuidado.

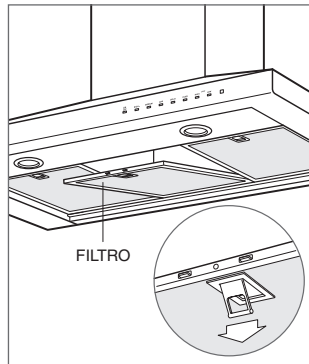
En las campanas negras, para acceder al filtro libere el broche y con suavidad hale hacia abajo el borde frontal del panel inferior de la campana y déjelo rotar hacia abajo. En las campanas inoxidable o de vidrio, no hay panel inferior.

Para retirar los filtros, consulte las ilustraciones a continuación.

AVISO IMPORTANTE: No opere la campana de ventilación sin los filtros de grasa.



Extracción de filtros: negro.



Extracción de filtros: inoxidable o de vidrio.

Recomendaciones sobre el cuidado

LIMPIEZA

Acero inoxidable Use un limpiador no abrasivo para acero inoxidable y aplique con un paño suave sin pelusa. Para resaltar el lustre natural, limpie suavemente la superficie con una tela de microfibra humedecida con agua, seguida con una gamuza para pulir en seco. Siempre siga la dirección del acabado del acero inoxidable.

Panel de control Utilice desengrasante en aerosol para retirar las marcas de los dedos y los residuos de alimentos. Rocíe el producto en un paño antes de limpiar el panel. Rocíe líquido limpiador de cristales en un paño para limpiar el vidrio negro.

AVISO IMPORTANTE: No aplique los limpiadores directamente sobre el panel de control.

Filtros Los filtros se pueden lavar y son apropiados para la mayoría de lavavajillas. Limpie los filtros con un trapo para retirar el exceso de grasa antes de colocarlos en el lavavajillas.

Resolución de problemas

OPERACIÓN

La campana de ventilación no funciona.

- Compruebe que esté encendida.
- Compruebe que la alimentación eléctrica a la campana y el interruptor de circuito de la casa estén encendidos.

El extractor funciona, pero las luces no se encienden.

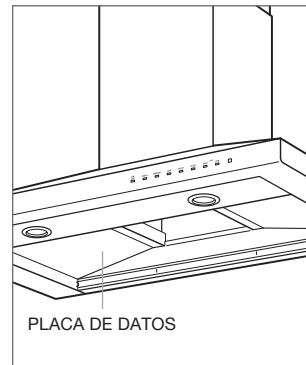
- Revise que las bombillas no estén fundidas.

La bombilla está suelta o fundida.

- La luz LED la debe reemplazar un centro de servicio autorizado de Wolf.

SERVICIO

- Para mantener la calidad incorporada en su producto, póngase en contacto con el servicio certificado de fábrica de Wolf. Para obtener los datos del centro de servicio autorizado de Wolf más cercano, eche un vistazo a la sección de contacto y servicio técnico en nuestro sitio web, wolfappliance.com o llame a la línea de atención al cliente de Wolf al 800-222-7820.
- Al comunicarse con el servicio, necesitará el modelo y número de serie de su producto. Los dos números también aparecen en la placa de datos del producto. Consulte la siguiente ilustración para conocer la ubicación de la placa de datos.
- Para fines de la garantía, usted también necesitará la fecha de instalación y el nombre de su distribuidor autorizado de Wolf. Esta información debe estar registrada en la página 2 de este manual.



Ubicación de la placa de datos.

Garantía limitada residencial de Wolf Appliance

PARA USO RESIDENCIAL

GARANTÍA COMPLETA DE DOS AÑOS*

Durante dos años a partir de la fecha de la instalación original, la garantía de su producto Wolf Appliance cubre todas las partes y mano de obra para reparar o reemplazar, bajo el uso residencial normal, cualquier parte del producto que se compruebe estar defectuosa en material o mano de obra. Todos los servicios proporcionados por Wolf Appliance bajo la garantía anterior deben ser ejecutados por servicios certificados de fábrica de Wolf, a menos que Wolf Appliance, Inc. lo especifique de otra manera. El Servicio será proporcionado durante el horario comercial normal.

GARANTÍA LIMITADA DE CINCO AÑOS

Por cinco años a partir de la fecha de la instalación original, Wolf Appliance reparará o reemplazará los siguientes componentes que se comprueben estar defectuosos en material o mano de obra: quemadores de gas (excluyendo la apariencia), elementos eléctricos de calentamiento, motores de sopladores (campanas de ventilación), módulos de control eléctrico, tubos magnetrón y generadores de inducción. Si el propietario utiliza el servicio certificado de fábrica de Wolf, el prestador del servicio reparará o reemplazará estas partes mediante el pago de todos los otros costos, incluyendo mano de obra, a cargo del propietario. Si el propietario utiliza un servicio no certificado, debe ponerse en contacto con Wolf Appliance, Inc. (utilizando la información anotada más adelante) para recibir los componentes reparados o de reemplazo. Wolf Appliance no reembolsará al propietario los importes correspondientes a componentes comprados a un servicio no certificado o a otras fuentes.

TÉRMINOS APLICABLES A CADA GARANTÍA

La garantía se aplica solamente a los productos instalados para uso residencial normal. La garantía se aplica solamente a los productos instalados en cualquiera de los cincuenta estados de los Estados Unidos, el Distrito de Columbia o las diez provincias de Canadá. Esta garantía no cubre las partes o mano de obra para corregir cualquier defecto causado por negligencia, accidente o uso, mantenimiento, instalación, servicio o reparación inadecuados.

LOS RECURSOS DESCRITOS ANTERIORMENTE PARA CADA GARANTÍA SON LOS ÚNICOS QUE WOLF APPLIANCE, INC. PROPORCIONARÁ, YA SEA BAJO ESTA GARANTÍA O BAJO CUALQUIER GARANTÍA QUE RESULTE DE LA APLICACIÓN DE LA LEY. WOLF APPLIANCE, INC. NO SE HACE RESPONSABLE POR LOS DAÑOS INDIRECTOS O INCIDENTALES DERIVADOS DE LA VIOLACIÓN DE ESTA GARANTÍA O CUALQUIER OTRA GARANTÍA, YA SEA EXPRESA, IMPLÍCITA O LEGAL.

Algunos estados no permiten la exclusión o limitación de daños incidentales o consecuentes, por lo tanto la limitación o exclusión anterior podrían no aplicarse en su caso. Esta garantía le otorga derechos legales específicos, y usted también puede tener otros derechos legales que varían entre estados.

Para recibir las partes o el servicio y el nombre del servicio certificado de fábrica de Wolf más cercano a usted, póngase en contacto con Wolf Appliance, Inc., P.O. Box 44848, Madison, WI 53744; eche un vistazo a la sección de contacto y servicio técnico en nuestro sitio web, wolfappliance.com, envíenos un correo electrónico a customerservice@subzero.com o llame al 800-222-7820.

*Las puertas, paneles, manijas, estructuras de acero inoxidable y superficies internas están cubiertas por una garantía limitada de 60 días sobre piezas y mano de obra, por defectos cosméticos.

*Los filtros de repuesto para los kits de circulación de la campana de ventilación no están cubiertos por la garantía del producto.



Table des matières

- 4 Précautions de sécurité
- 6 Caractéristiques de la hotte
- 7 Fonctionnement de la hotte
- 9 Recommandations d'entretien
- 10 Dépannage
- 11 Garantie de Wolf

Service à la clientèle

Le numéro de modèle et le numéro de série sont imprimés sur la fiche d'enregistrement du produit ci-jointe. Les deux numéros sont aussi indiqués sur la plaque signalétique du produit. Reportez-vous à la page 10 pour connaître l'emplacement de la plaque signalétique. Pour les besoins de la garantie, vous devrez aussi avoir la date d'installation et le nom de votre dépositaire Wolf autorisé. Inscrivez ces renseignements ci-dessous pour consultation ultérieure.

Si votre produit a besoin d'être réparé, assurez-vous d'utiliser un fournisseur de service certifié par l'usine Wolf recommandé par notre centre de service à la clientèle, ou sélectionnez-en un parmi la liste de fournisseurs disponibles à wolfappliance.com/locator. Tous les fournisseurs de service certifiés par l'usine sont soigneusement sélectionnés et rigoureusement formés par nous.

RENSEIGNEMENTS SUR LE SERVICE

Numéro de modèle

Numéro de série

Date de l'installation

Nom du service certifié

Numéro du service certifié

Dépositaire autorisé

Numéro du dépositaire

Remarque importante

Pour s'assurer que ce produit est installé et utilisé en toute sécurité et aussi efficacement que possible, prenez note des types de renseignement mis en évidence tout au long de ce guide :

REMARQUE IMPORTANTE met en évidence des renseignements qui sont particulièrement importants.

MISE EN GARDE indique une situation où une blessure mineure ou des dommages au produit peuvent se produire si les directives ne sont pas respectées.

AVERTISSEMENT décrit un danger qui peut causer une blessure grave ou la mort si les précautions ne sont pas respectées.

REMARQUE IMPORTANTE : tout au long de ce guide, les dimensions entre parenthèses sont en millimètres à moins d'indication contraire.

Merçi

Merçi de votre achat. Nous nous réjouissons à l'idée de faire partie de votre résidence pendant des décennies à venir. À titre d'entreprise familiale de troisième génération, nous avons un intérêt personnel dans la préparation des aliments de votre famille. Nous avons bâti notre entreprise et notre réputation en aidant les familles à servir les meilleurs aliments qui soient.

Grâce à votre achat, vous obtiendrez l'une des garanties les plus robustes de l'industrie des appareils électroménagers. Prenez un moment pour lire la déclaration de garantie complète à la page 11. Il est aussi important d'enregistrer votre appareil Wolf pour vous assurer de ne pas manquer les avantages exclusifs offerts aux propriétaires, comme l'assurance que vous serez pris en charge dans le cas peu probable où un service serait nécessaire durant la période de garantie et en vue d'avoir une preuve d'achat en cas de réclamation d'assurance habitation. Vous pouvez effectuer l'enregistrement de l'une des façons suivantes :

- En postant la fiche d'enregistrement du produit Wolf dûment remplie.
- En enregistrant votre appareil en ligne à wolfappliance.com/register et en créant un compte personnalisé My Sub-Zero/Wolf avec le numéro de série de votre produit.
- Par téléphone en appelant le service à la clientèle de Wolf à 800-222-7820.

À titre de propriétaire Wolf, vous pouvez compter sur un soutien continu, jour après jour. Notre centre de service à la clientèle est offert 24 heures par jour, sept jours par semaine et composé d'employés experts en produit bien informés dans notre usine de Madison au Wisconsin. En cas de besoin, composez simplement le 800-222-7820 et parlez avec un de nos experts en produit. Ils vous aideront à résoudre tout problème que vous pourriez avoir.

Nous sommes confiants que ce guide répondra à vos questions au sujet des caractéristiques, du fonctionnement et de l'entretien de votre Wolf, mais si vous avez des questions supplémentaires, communiquez avec nous au 800-222-7820 ou visitez-nous en ligne à wolfappliance.com.



DIRECTIVES IMPORTANTES LISEZ ET CONSERVEZ CES DIRECTIVES

- Lisez ce guide d'utilisation et d'entretien attentivement avant d'utiliser votre nouvelle hotte de ventilation afin de réduire le risque d'incendie, de choc électrique ou de blessures.
- Assurez-vous que l'installation et le service sont appropriés. Cet appareil doit être correctement installé et mis à la terre par un technicien qualifié.
- Le service de garantie doit être effectué par un centre de service Wolf certifié par l'usine.
- Le travail d'installation et le câblage électrique doivent être effectués par une (des) personne(s) qualifiée(s) conformément à tous les codes et normes applicables, y compris ceux concernant la construction résistante au feu.

▲ AVERTISSEMENT

EN VUE DE RÉDUIRE LE RISQUE D'INCENDIE, DE CHOC ÉLECTRIQUE OU DE BLESSURES, RESPECTEZ LES ÉLÉMENTS SUIVANTS :

- a) Utilisez cette unité uniquement de la façon prévue par le fabricant. Si vous avez des questions, communiquez avec le fabricant.
- b) Avant de réparer ou de nettoyer l'unité, débranchez-la ou coupez le courant sur le panneau de commande et verrouillez les moyens de débrancher le service pour empêcher le courant d'être remis en marche accidentellement. Lorsque les moyens de débrancher le service ne peuvent pas être verrouillés, fixez un dispositif d'avertissement bien en vue, comme une étiquette, au panneau de service.

PRÉCAUTIONS DE SÉCURITÉ GÉNÉRALE

- Il faut suffisamment d'air pour la combustion appropriée et l'évacuation des gaz par le conduit (cheminée) de l'équipement de chauffage au mazout pour éviter le refoulement de l'air.
- Suivez les directives du fabricant de l'équipement de chauffage et les normes de sécurité comme celles publiées par la National Fire Protection Association (NFPA ou association nationale de protection contre les incendies), l'American Society for Heating, Refrigeration and Air Conditioning Engineers (ASHRAE ou société américaine des ingénieurs de chauffage, réfrigération et climatisation) et les autorités locales concernant les codes.
- Ne faites pas fonctionner un ventilateur dont le cordon ou la fiche sont endommagés. Éliminez le ventilateur ou retournez-le à un établissement de service autorisé pour le faire examiner et/ou réparer.
- Cet appareil doit être mis à la terre.

▲ MISE EN GARDE

Pour ventilation générale seulement. N'utilisez pas pour évacuer des matières et des vapeurs dangereuses ou explosives.

- Les ventilateurs à enveloppe doivent toujours être ventilés vers l'extérieur.
- En vue de réduire le risque d'incendie, utilisez seulement des gaines en acier.
- Ne portez pas des vêtements lâches ou qui pendent lorsque vous utilisez cet appareil. Ils peuvent être enflammés par les brûleurs ou les éléments de la surface de cuisson.
- Ne laissez pas des enfants seuls ou sans surveillance dans la zone où cet appareil est utilisé.

▲ MISE EN GARDE

En vue de réduire le risque d'incendie et correctement évacuer l'air, assurez-vous d'acheminer l'air vers l'extérieur. Ne ventilez pas l'évacuation dans des espaces entre des murs ou des plafonds ou dans des greniers, des galeries ou des garages.

DIRECTIVES IMPORTANTES

PRÉCAUTIONS DE SÉCURITÉ GÉNÉRALE

- Ne réparez pas et ne remplacez pas cet appareil à moins que cela ne soit spécifiquement recommandé dans ce guide. Tout autre service doit être effectué par un technicien qualifié.
- Pour éviter d'endommager le roulement-moteur ou de déséquilibrer les rotors, gardez la pulvérisation de cloison sèche, la poussière de construction, etc. loin de l'unité électrique.
- Lorsque vous coupez ou percez dans un mur ou un plafond, n'endommagez pas les fils électriques ou d'autres services publics cachés.
- Veuillez lire l'étiquette de spécification sur la hotte de ventilation pour obtenir de plus amples renseignements et connaître les exigences.

▲ AVERTISSEMENT

EN VUE DE RÉDUIRE LE RISQUE D'UN INCENDIE DE GRAISSE SUR UN DESSUS DE CUISINIÈRE :

- a) Ne laissez jamais les unités de surface sans surveillance lorsque les réglages sont élevés. Les débordements par bouillonnement causent de la fumée et des renversements graisseux qui peuvent s'enflammer. Chauffez les huiles lentement à feu doux ou moyen.
- b) Mettez toujours la hotte EN MARCHÉ lorsque vous cuisinez à feu vif ou lorsque vous flambez des aliments (comme des crêpes Suzette, des cerises jubilés, du bœuf au poivre flambé).
- c) Nettoyez les éventails de ventilation fréquemment. Ne laissez pas de la graisse s'accumuler sur le ventilateur ou le filtre.
- d) Utilisez une poêle de taille appropriée. Utilisez toujours un ustensile de cuisson approprié pour la taille de l'élément en surface.

▲ AVERTISSEMENT

AFIN DE RÉDUIRE LE RISQUE DE BLESSURES EN CAS D'INCENDIE DE GRAISSE SUR UN DESSUS DE CUISINIÈRE, RESPECTEZ LES DIRECTIVES SUIVANTES :

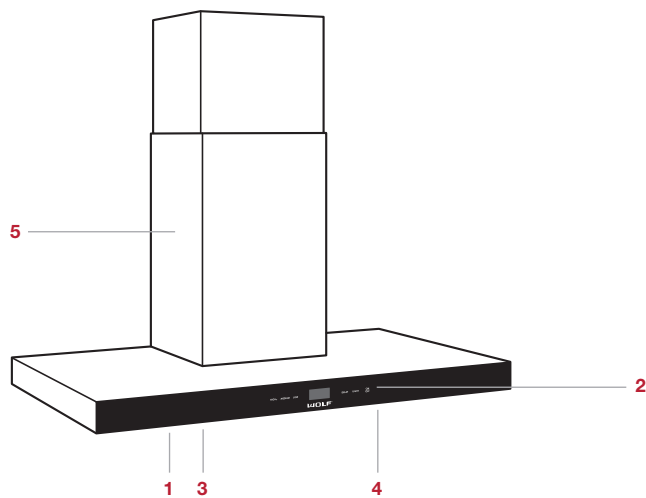
- a) **ÉTOUFFEZ LES FLAMMES** avec un couvercle bien ajusté, une tôle à biscuits ou un plateau métallique, puis éteignez le brûleur. **FAITES ATTENTION DE NE PAS VOUS BRÛLER.** Si les flammes ne s'éteignent pas immédiatement, **ÉVACUEZ ET APPELEZ LES POMPIERS.**
- b) **NE RAMASSEZ JAMAIS UNE POÊLE EN FEU**— vous risqueriez de vous brûler.
- c) **N'UTILISEZ PAS DE L'EAU**, y compris des linges à vaisselle et des serviettes mouillés— cela causerait une violente explosion de vapeur.
- d) Utilisez un extincteur **SEULEMENT** si :
 - 1) Vous savez que vous avez un extincteur de classe ABC et vous savez déjà comment l'utiliser.
 - 2) Le feu est petit et contenu dans la zone où il a commencé.
 - 3) Les pompiers ont été appelés.
 - 4) Vous pouvez lutter contre le feu en gardant votre dos vers une sortie.

* Selon les « Conseils de sécurité-incendie pour la cuisine » publiés par la NFPA.

Caractéristiques de la hotte de ventilation

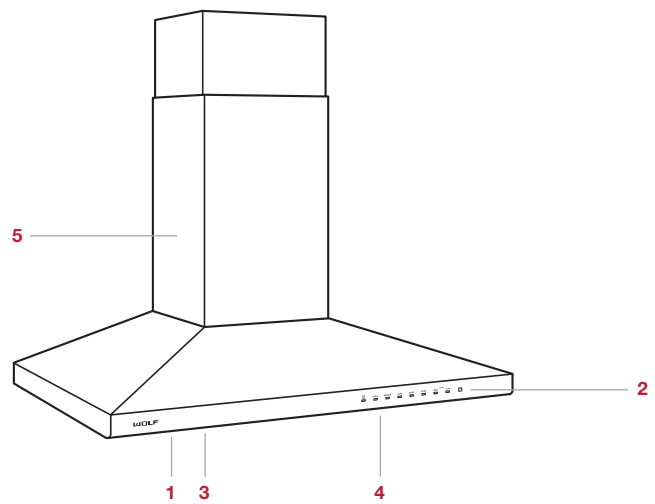
CARACTÉRISTIQUE	
1	Plaque signalétique du produit (au-dessus des filtres)
2	Panneau de commande
3	Filtres
4	Éclairage à DEL
5	Conduit de cheminée télescopique

NOIRE



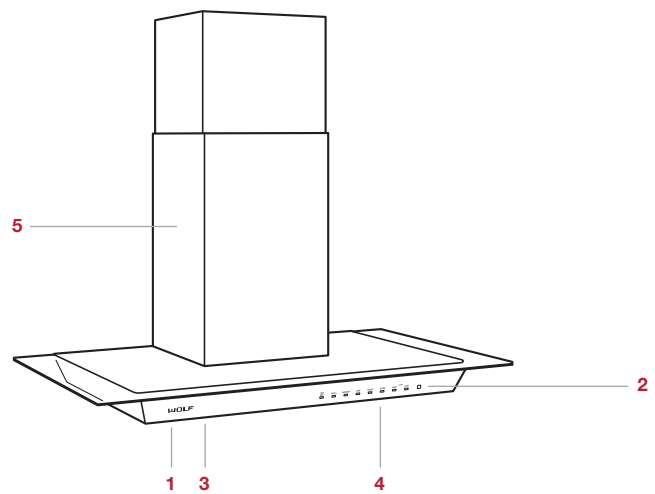
Hotte murale de 36 po illustrée.

ACIER INOXYDABLE



Hotte murale de 36 po illustrée.

VERRE



Hotte murale de 36 po illustrée.

Panneau de commande

NOIRE

Pour utiliser la hotte de ventilation, utilisez le panneau de commande tactile situé sur le devant de la hotte. Les indicateurs seront visibles sur l'écran du panneau de commande. Reportez-vous au tableau et à l'illustration ci-dessous.

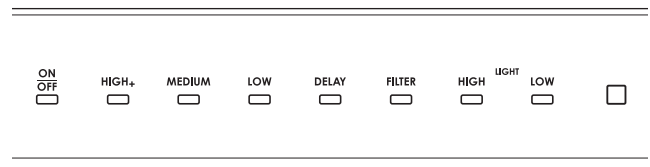
INDICATEUR	FONCTION
1	Vitesse basse de la soufflerie.
2	Vitesse moyenne de la soufflerie.
3	Vitesse élevée de la soufflerie.
HI	La suralimentation a été activée.
FC	Remplacez le filtre en charbon. (application de recirculation seulement)
FG	Nettoyez les filtres de graisse.
FF	L'indicateur de filtre a été réinitialisé.
IR	La télécommande a été activée/désactivée.



Panneau de commande et affichage de la hotte noire.

ACIER INOXYDABLE/VERRE

Pour utiliser la hotte de ventilation, utilisez le panneau de commande situé sur le devant de la hotte. Placez un doigt sur l'indicateur à DEL et l'unité détectera et activera de façon optique l'option choisie. Les indicateurs à DEL des commandes activées s'allumeront. Reportez-vous à l'illustration ci-dessous.



Panneau de commande de la hotte en acier inoxydable/verre.

Panneau de commande

SOUFFLERIE

Pour régler la vitesse de la soufflerie, appuyez sur le bouton HIGH+ (élevée+), MEDIUM (moyen) ou LOW (basse). Appuyez à nouveau pour éteindre la soufflerie.

Pour initier le mode de suralimentation, appuyez et tenez le bouton HIGH+ pendant trois secondes. La suralimentation augmente le débit d'air d'environ 20 % de plus que le réglage élevé, mais se limite à une durée de 10 minutes. Après 10 minutes, la soufflerie se remet automatiquement à la vitesse précédemment choisie.

DELAY (DÉLAI)

La fonction délai éteint automatiquement les lumières et la soufflerie après 10 minutes de fonctionnement.

FILTER (FILTRE)

Après environ 100 heures de fonctionnement, l'indicateur de filtre indiquera que les filtres doivent être nettoyés. Reportez-vous aux recommandations de retrait et d'entretien des filtres à la page 9.

Pour les hottes noires, « FG » ou « FC » (application de recirculation) s'illuminent sur l'écran du panneau de commande. Pour réinitialiser l'indicateur du filtre, enfoncez et tenez le bouton DELAY pendant cinq secondes jusqu'à ce que « FF » apparaisse sur l'écran.

Pour les hottes en acier inoxydable/verre, la DEL du filtre s'illumine sur le panneau de commande. Pour réinitialiser l'indicateur de filtre, enfoncez le bouton FILTER pendant cinq secondes.

LIGHT (LUMIÈRE)

Pour les hottes noires, touchez à LIGHT pour le réglage élevé ou enfoncez et tenez ce bouton pendant deux secondes pour le réglage bas. Appuyez à nouveau pour éteindre les lumières.

Pour les hottes en acier inoxydable/verre, appuyez sur LIGHT—HIGH (élevé) ou LOW (bas). Appuyez à nouveau pour éteindre les lumières.

ON/OFF (MARCHE/ARRÊT)

Appuyez sur le bouton ON/OFF pour mettre la soufflerie à basse vitesse. Appuyez à nouveau pour éteindre la soufflerie.

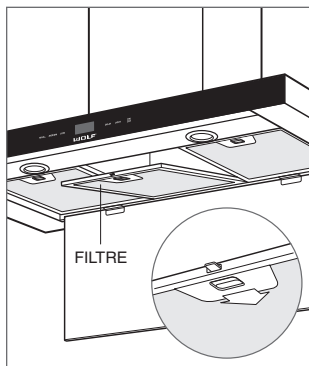
Retrait du filtre

Les filtres à graisse doivent être nettoyés lorsque l'indicateur de filtre est illuminé sur le panneau de commande, ou après environ 100 heures de fonctionnement. Les filtres peuvent être lavés dans le lave-vaisselle. Reportez-vous aux recommandations d'entretien.

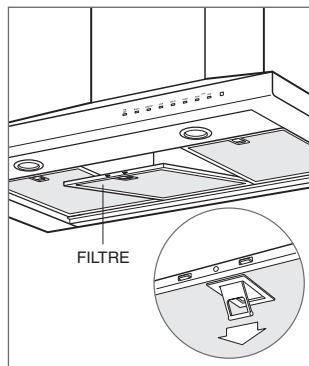
Pour les hottes noires, pour accéder aux filtres, relâchez le loquet et tirez doucement le rebord avant du panneau inférieur de la hotte vers le bas et laissez-le pivoter vers le bas. Pour les hottes en acier inoxydable/verre, il n'y a pas de panneau inférieur.

Pour retirer les filtres, reportez-vous à l'illustration ci-dessous.

REMARQUE IMPORTANTE : ne faites pas fonctionner la hotte de ventilation sans les filtres à graisse.



Retrait du filtre— hotte noire



Retrait du filtre—hotte en acier inoxydable/verre.

Conseils d'entretien

NETTOYAGE

Acier inoxydable Utilisez un nettoyant non abrasif pour l'acier inoxydable et appliquez-le avec un chiffon doux non pelucheux. Pour faire ressortir le lustre naturel, essuyez légèrement la surface avec un chiffon en microfibrilles humecté d'eau suivi d'un chamois à polir sec. Suivez toujours le grain de l'acier inoxydable.

Panneau de commande Utilisez un dégraissant pulvérisé pour éliminer les empreintes de doigts et les taches de nourriture. Pulvérisez sur un chiffon avant d'essuyer le panneau. Pulvérisez du nettoyant à vitre sur un chiffon pour nettoyer le verre noir.

REMARQUE IMPORTANTE : ne pulvérisez pas les produits à nettoyer directement sur le panneau de commande.

Filtres Les filtres peuvent être lavés dans le lave-vaisselle et sont conçus pour convenir à la plupart des lave-vaisselle. Essuyez les filtres pour éliminer l'excédent de graisse avant de les placer dans le lave-vaisselle.

Dépannage

FONCTIONNEMENT

La hotte de ventilation ne fonctionne pas.

- Assurez-vous qu'il y a du courant.
- Vérifiez l'alimentation électrique vers la hotte et assurez-vous que le disjoncteur est en marche.

La soufflerie fonctionne, mais les lumières ne s'allument pas.

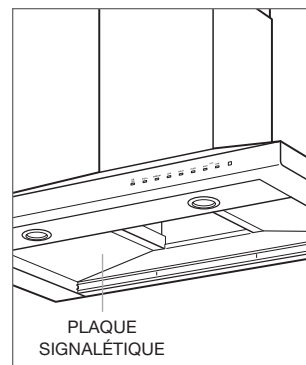
- Assurez-vous que les ampoules ne sont pas grillées.

L'ampoule est grillée.

- L'éclairage à DEL doit être remplacé par un technicien de service Wolf certifié par l'usine.

SERVICE

- Préservez la qualité intégrée dans votre produit en communiquant avec un service Wolf certifié par l'usine. Pour obtenir le nom du centre de service Wolf certifié par l'usine le plus près, consultez la section Contact et assistance de notre site Web, wolfappliance.com ou appelez le service à la clientèle de Wolf au 800-222-7820.
- Avant d'appeler pour obtenir du service, ayez en main les numéros de modèle et de série de votre produit. Les deux numéros sont indiqués sur la plaque signalétique du produit. Reportez-vous à l'illustration ci-dessous pour connaître l'emplacement de la plaque signalétique.
- Pour les besoins de la garantie, vous devrez aussi avoir la date d'installation et le nom de votre dépositaire Wolf autorisé. Ces renseignements doivent être notés à la page 2 de ce guide.



Emplacement de la plaque signalétique.

Garantie limitée résidentielle Wolf Appliance

POUR UTILISATION RÉSIDENIELLE

GARANTIE COMPLÈTE DE DEUX ANS*

Pendant deux ans à compter de la date d'installation originale, cette garantie de produit Wolf Appliance couvre toutes les pièces et la main d'œuvre pour réparer ou remplacer, selon un usage résidentiel normal, toute partie du produit qui s'avèrerait défectueuse en vertu des matériaux ou de la fabrication. Tout service fourni par Wolf Appliance en vertu de la garantie ci-dessus doit être effectué par un centre de service Wolf certifié par l'usine, à moins d'indication contraire de la part de Wolf Appliance, Inc. Le service sera fourni pendant les heures normales d'affaires.

GARANTIE LIMITÉE DE CINQ ANS

Pendant cinq ans à compter de la date originale d'installation, Wolf Appliance réparera les pièces suivantes qui s'avèreront défectueuses en vertu des matériaux ou de la fabrication : les brûleurs au gaz (sauf l'apparence), les éléments de chauffage électrique, les moteurs de soufflerie (hottes de ventilation), les circuits de contrôle électronique, les tubes magnétrons et les génératrices à induction. Si le propriétaire utilise le service Wolf certifié en usine, le fournisseur de service réparera ou remplacera ces pièces et le propriétaire paiera pour tous les autres frais, y compris la main d'œuvre. Si le propriétaire utilise un service non certifié, il doit communiquer avec Wolf Appliance, Inc. (avec les renseignements ci-dessous) pour obtenir des pièces réparées ou de rechange. Wolf Appliance ne remboursera pas le propriétaire pour les pièces achetées d'un service non certifié ou d'autres sources.

CONDITIONS S'APPLIQUANT À CHAQUE GARANTIE

La garantie s'applique uniquement aux produits installés pour un usage résidentiel normal. La garantie s'applique seulement aux produits installés dans l'un des cinquante états des États-Unis, dans le District of Columbia ou les dix provinces du Canada. Cette garantie ne couvre pas les pièces ou la main d'œuvre pour corriger tout défaut causé par de la négligence, un accident ou une utilisation, un entretien, une installation, un service ou une réparation inappropriés.

LES REMÈDES DÉCRITS CI-DESSUS POUR CHAQUE GARANTIE SONT LES SEULS QUI SONT OFFERTS PAR WOLF APPLIANCE, INC. EN VERTU DE CETTE GARANTIE OU EN VERTU DE TOUTE GARANTIE DÉCOULANT DE L'OPÉRATION DE LA LOI. WOLF APPLIANCE, INC. NE SERA PAS RESPONSABLE DES DOMMAGES INDIRECTS OU CONSÉCUTIFS DÉCOULANT DE LA VIOLATION DE CETTE GARANTIE OU DE TOUTE GARANTIE, EXPRESSE, IMPLICITE OU LÉGALE.

Certaines provinces ne permettent pas l'exclusion ou la restriction des dommages indirects ou consécutifs, par conséquent, la limite ou l'exclusion ci-dessus peut ne pas s'appliquer à votre cas. Cette garantie vous confère des droits légaux précis et vous pouvez aussi avoir d'autres droits légaux qui peuvent varier d'une province à l'autre.

Pour obtenir des pièces et/ou du service et le nom du centre de service Wolf certifié par l'usine le plus près de chez vous, communiquez avec Wolf Appliance, Inc., P.O. Box 44848, Madison, WI 53744 É.-U.; consultez la section Contact et assistance de notre site Web, wolfappliance.com, envoyez-nous un courriel à customerservice@subzero.com ou composez le 800-222-7820.

*L'acier inoxydable (les portes, les panneaux, les poignées, les cadres et les surfaces intérieures) est couvert par une garantie limitée de 60 jours sur les pièces et la main d'œuvre pour toute défectuosité cosmétique.

*Les filtres de rechange pour les trousse de recirculation de hotte de ventilation ne sont pas couverts par la garantie du produit.





WOLF APPLIANCE, INC. P.O. BOX 44848 MADISON, WI 53744 WOLFAPPLIANCE.COM 800.222.7820

825481 REV-A

4/2014

