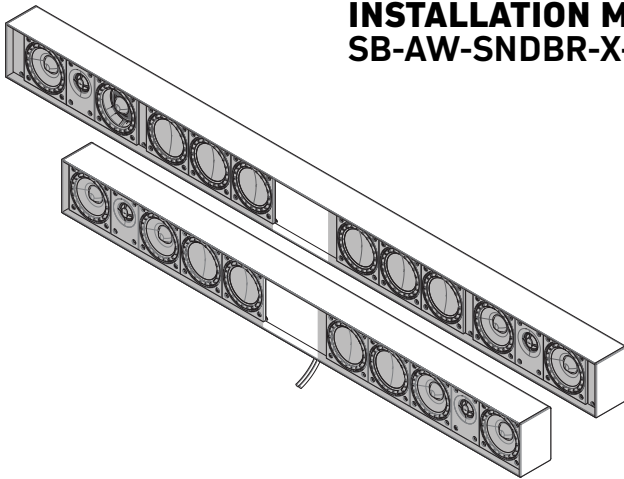


*SunBrite*TM

INSTALLATION MANUAL SB-AW-SNDBR-X-B



INTRODUCTION

We appreciate your purchase and are committed to providing the highest-quality products possible.

The SunBrite™ Outdoor Sound bar models are a superb choice for almost every type of home theater or home audio installation. They have been designed with advanced technological components that allow for high performance and a lifetime of enjoyment.

IMPORTANT INSTRUCTIONS AND CONSIDERATIONS

Read and understand all instructions. Before beginning installation, carefully plan location accounting for potential electrical, plumbing or other obstacles.

RECOMMENDED AMPLIFIER POWER

To get the best performance from the Sound bar when used with a Veranda Series SunBriteTV®, an amplifier or receiver with a power rating between 20 and 90 Watts RMS per channel is recommended: The Signature and Pro Series SunBriteTVs have an internal amplifier that can be used to drive the soundbar.

SPEAKER WIRE

To connect the Sound bar to an AV Receiver or Amplifier, high-quality 14 to 16 gauge stranded speaker wire is recommended. The wire may be connected directly to the speaker's binding posts. Remember that you will need 2 runs of speaker wire to the Sound bar location as it contains the left and right speaker. Use the included DIN cable to connect the soundbar to a SunBriteTV. See page 5 for more information.

CONTENTS

SB-AW-SNDBR-S-B

- (1) DIN cable w/90 cm cable for compatible SunBriteTVs
- (1) Speaker Mount Bracket Small
- (4) 1/4-20 x .25" Screws
- (4) 1/4-20 Flat Washers

SB-AW-SNDBR-M-B

- (1) DIN cable w/90 cm cable for compatible SunBriteTVs
- (1) Speaker Mount Bracket Large
- (2) 1/2" threaded standoff
- (2) 7/8" threaded standoff
- (4) 1/4-20 x .25" Screws
- (4) 1/4-20 Flat Washers

INSTALLATION

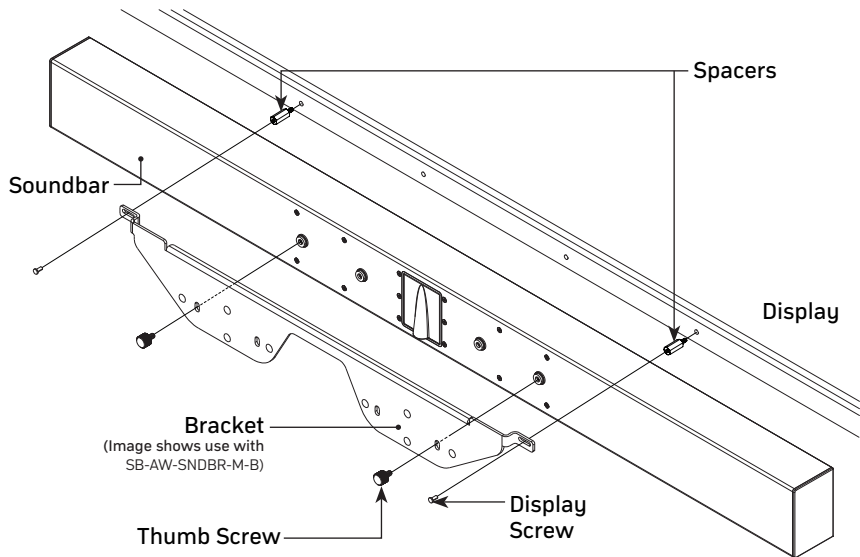
SPEAKER PLACEMENT

The SB-AW-SNDBR-S-B and SB-AW-SNDBR-M-B are designed to be the Left and Right speakers of a sound system. For most applications, placement should be below a flat screen TV using the included mounting bracket.

Installing on a SunBriteTV

The SB-AW-SNDBR-S-B, and SB-AW-SNDBR-M-B can be mounted directly above or below Signature and Pro Series SunBriteTVs (excluding the 84") and below Veranda Series SunBriteTVs with the included bracket. The bracket attaches the soundbar directly to the TV.

NOTE: The Strong™ universal bracket SM-SBAR-BKT-UNIV (available separately) should be used when attaching the soundbar to any display other than a SunBriteTV.



1. Remove the thumb screws and set the bracket in place.
2. Replace the thumb screws to secure the bracket.
3. Locate and remove the screws on the display to attach the bracket.
4. The 55" Veranda and 65" Veranda and Signature displays require the included spacers to set the soundbar flush to the display.
5. Screw the spacers into the display then set the bracket and sound bar in place and replace the screws to secure.

The table below outlines which standoff should be used with which SunBriteTV models.

NOTE: 43 inch model SunBriteTVs do not require standoffs for installation.

Model Name	Model Number	Standoff Size
Veranda	6574	7/8" Standoff
Signature	5584	None
Signature	6584	1/2" Standoff
Pro	4917	None
Pro	5518	None

CONNECTING AND CALIBRATING

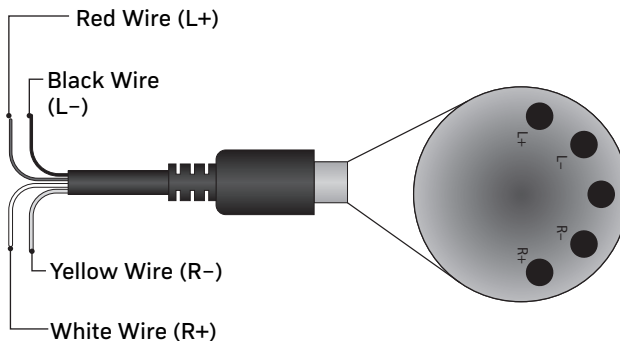
Proper connections are important to the performance of any speaker within an audio system.

Performing the following steps will ensure proper connections for optimum speaker performance:

1. At each speaker connection, ensure that the outer jacket is separated by at least 2 inches.
2. Strip the insulation on each conductor approximately 1/4" and insert into the speaker terminals.
 - Ensure that there are no stray strands of wire protruding from the connectors.
 - Observe proper polarity (+ to + and - to -) for each speaker and at the amplifier).
3. Turn on the home theater receiver and calibrate all speakers in the system according to the receiver (or surround processor) manufacturer's instructions.

Connecting to a SunBriteTV

Connect the sound bar to Signature and Pro Model SunBriteTVs using the included 5 pin male connector wire (DIN Cable). Connect the wire ends as shown in the diagram below.



Verifying Phase

When proper polarity is not maintained, the speakers play at the opposite 'time' from each other, or out of phase. The result is audio with lack of bass and vocals that sound thin or distant. If during or after calibrating your receiver you suspect the sound is not right and you cannot see any markings on the wire to verify polarity is correct, try this simple test:

1. Sit in the normal listening position for the system.
2. Play some music with your receiver set to Mono.
3. Listen to the music and observe the audio.
 - Does the bass sound full and even with the other audio?
 - Do the vocals sound centered and even in volume?

If either of the answers are YES, follow steps 3 and 4 with any other speakers in the system.

4. Turn off your receiver and reverse the connections for one of the speakers.
5. Repeat your test at the same volume level. When the sound has the loudest and best sounding bass, and vocals are centered and clear, your connections are correct and in-phase.

CLEANING

Use a dampened soft cloth or paper towel to clean the cabinet. The grill is best cleaned by brushing it off with a lint-free cloth.

SPECIFICATIONS

Product	SB-AW-SNDBR-S-B	SB-AW-SNDBR-M-B
Frequency response	100 Hz-22 kHz	95 Hz-22 kHz
Color	Black	Black
Connectors	Gold-Plated Push Terminals	Gold-Plated Push Terminals
Dimensions (W x H x D)	39" x 3.92" x 3"	49.5" x 3.92" x 3"
Sold as	Each	Each
Weight	11.5 lbs	13.2 lbs
Crossover Frequency	2.3 kHz	2.3 kHz
Speaker Grille	Fixed Metal	Fixed Metal
Nominal Impedance	8 Ohm	8 Ohm
Power Peak	225W	225W
Power RMS	90W	90W
Sensitivity	90 dB	90 dB
Tweeter	1" Pure Titanium Dome	1" Pure Titanium Dome
Voice Coil	High Temp Voice Coil	High Temp Voice Coil
Woofer	Per Channel- 2 x 3" Titanium Vapor Deposit Polypropylene Cone	Per Channel- 2 x 3" Titanium Vapor Deposit Polypropylene Cone
Passive Radiator	2 x Titanium Vapor Deposit Polypropylene Cone	3 x Titanium Vapor Deposit Polypropylene Cone

TROUBLESHOOTING

These speakers are designed to function trouble-free. Most problems that occur are due to simple issues. If having trouble, contact Technical Support at 866-838-5052.

WARRANTY

Limited Lifetime Warranty

SunBriteTV Sound bar Speakers have a Lifetime Limited Warranty. This warranty includes parts and labor repairs on all components found to be defective in material or workmanship under normal conditions of use. This warranty shall not apply to products which have been abused, modified or disassembled. Products to be repaired under this warranty must be returned to a designated service center with prior notification and an assigned return authorization number (RA).

CONTACTING TECHNICAL SUPPORT

As a thank you for purchasing SunBriteTV Electronics products, direct technical support services are available via phone. We encourage you to use this resource for any questions or concerns about our products. Visit our website for more support documentation.

866 838-5052

SunBriteTV.com