

Café™ 30" Slide-In Front Control Induction and Convection Range

CHS900M2NS5

CAFÉ

DISTINCT BY DESIGN™



FEATURES & BENEFITS

Gourmet results without any guesswork - Take culinary skills to the next level with Gourmet Guided Cooking, which combines video-guided recipes from chefs with a system that automatically adjusts the time, temperature and cooking pace for perfect results

Enjoy total control in the kitchen and beyond - Control your oven with your smart device or simply your voice using WiFi Connect

Precision is the name of your cooking game - Confidently try new recipes and perfectly execute your favorites, using a smart system that automatically tracks progress, modifies temperatures and adjusts cook times

A touch of brilliance - Easily navigate oven settings using a stunning full color display that adds an unexpected touch of style to your kitchen

The perfect combination of power & precision - Stun guests by showing off your 11" 3,700-watt induction element, which uses chef-preferred induction cooktop technology to deliver precise heat to cookware only. That means you can do everything from boiling a quart of water in 101 seconds to melting butter at exact temperatures with amazing efficiency.

Precise control for flawless results - Delight guests with the precision of sous vide cooking or perfectly prepared fondues and delicate sauces using a precision cooking probe that is sold separately.

Ensure consistent temperatures across a large area - Evenly heat large griddles or enamel cookware across two 8" synchronized elements

Allow your appliances to interact with one another - Create a chef-like experience with Chef Connect, which can synchronize your appliance clocks and surface lights and vent when a range burner is in use, and even your microwave and range clocks

APPEARANCE

Installation	Flush Appearance, Free-standing cut-out
Oven Door Features	Big View Oven Window, Easy clean edge to edge glass oven door
Handle	Café Minimal
Handle Color	Stainless Steel
Textured Steel Side Panels	Yes

FEATURES

Configuration	Range with Storage Drawer
Cooking System	True European Convection with Precise Air
Cooking Technology	Convection
Oven Cleaning Type	Self-Clean with Steam Clean Option
Cooktop Burner Type	Induction
Cooktop Surface	Edge-to-Edge, Black Patterned Ceramic Glass
Control Location	Front controls
Control Type	LCD - Touch
Oven Control Features	Audible Preheat Signal, Auto Oven Shut-Off with Override, Auto Recipe Conversion, Auto Self Clean, C° or F° Programmable, Certified Sabbath Mode, Chef Connect, Control Lock Capability, Delay Bake, Option (Time Bake), Delay Clean Option, Electronic Clock & Kitchen Timer, Fast Preheat, Hi / Low Broil, Oven "ON" Light, Self-Clean Cool Down Time Display, Steam Clean, Temperature Probe, Warm Mode,
Oven Cooking Modes	Convection Bake, Convection Roast
Oven Features	8-Pass Broil Element, Hidden Bake
Self-Clean Oven Door Lock	Automatic
Oven Rack Features	1 Self-Clean Heavy-Duty Roller Rack, 2 Self-Clean Heavy-Duty Oven Racks, 6 Rack Positions
Oven Interior	Black, 1 Incandescent
Connected Capabilities	Amazon Alexa, The Google Assistant, Hestan Cue, IFTTT, Nest, Drop, Innit, DiGiorno
WiFi Connect	Built-In
Element - Left Front	8" 2500W Sync Element
Element - Left Rear	8" 2500W Sync Element
Element - Right Front	11" 3700W Power Boil
Element - Right Rear	6" 1800W
Element - Center	6" 100W Warming Zone
Hot Surface Indicator Lights	1
Heating Element "ON" Indicator Light	5
Melt Setting	Yes

CAPACITY

Total Capacity (cubic feet)	5.7 cu ft
-----------------------------	-----------

ACCESSORIES

Trim Kit	Optional, JXFILLR1BB
Cooktop Cleaning	Included, Cream, Sponge
Probe Accessory	JXPROBE1 - optional

WEIGHTS & DIMENSIONS

Depth with Door Open	47-1/2 in
Approximate Shipping Weight	221 lb
Net Weight	200 lb
Height to Top of Rear Vent Trim	37-3/8 in
Overall Height	37-3/8 in
Height to Cooking Surface (in.)	36-1/4 +/- 1/4
Overall Width	29-7/8 in
Cabinet Width	30 in
Overall Depth	29-1/2 in
Depth Without Handle	26-7/8 in
Oven Interior Dimensions (W x H x D) (in.)	24 x 19-7/8 x 20-5/8

Café™ 30" Slide-In Front Control Induction and Convection Range

CHS900M2NS5

CAFÉ

DISTINCT BY DESIGN™

POWER / RATINGS

Amp Rating at 208V	40
Amp Rating at 240V	40
Convection Wattage	2500W
Bake Wattage	2850W
Broiler Wattage	4000W
KW Rating at 208V	11.3
KW Rating at 240V	13.6

WARRANTY

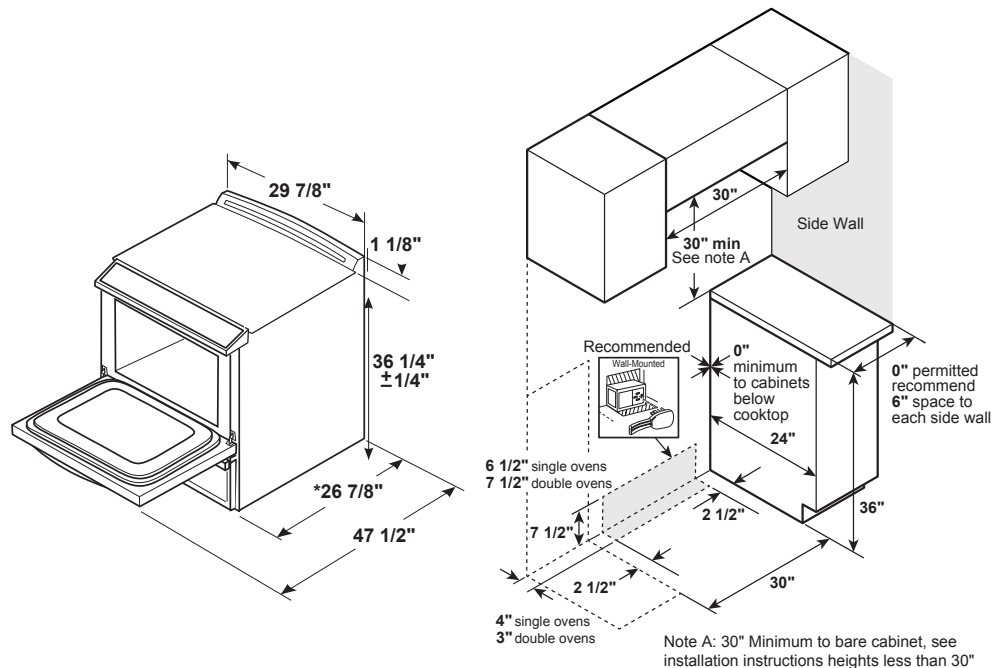
Parts Warranty	Limited 1-year entire appliance
Labor Warranty	Limited 1-year entire appliance
Warranty Notes	See written warranty for full details

DIMENSIONS

Receptacle Locations: Locally approved flexible service cord or conduit must be used because terminals are not accessible after range installation. See shaded area in drawing for location of electrical outlet box. Recommended outlet locations allow range to be installed directly against rear wall.

Note: This appliance has been approved for 0" spacing to adjacent surfaces above the cooktop. However, a 6" minimum spacing to surfaces less than 15" above the cooktop and adjacent cabinet is recommended to reduce exposure to steam, grease splatter and heat.

Installation Information: Before installing, consult installation instructions for current dimensional data and additional requirements.



ADDITIONAL ACCESSORIES



CXFCHHKPMBZ
Brushed Bronze
2 handles; 6 knobs
(standard on Matte White)



CXFCHHKPMSS
Brushed Stainless
2 handles; 6 knobs
(standard on Matte Black)



CXFCHHKPMBT
Brushed Black
2 handles; 6 knobs



CXFCHHKPMCU
Brushed Copper
2 handles; 6 knobs



JXPROBE1
Probe Accessory