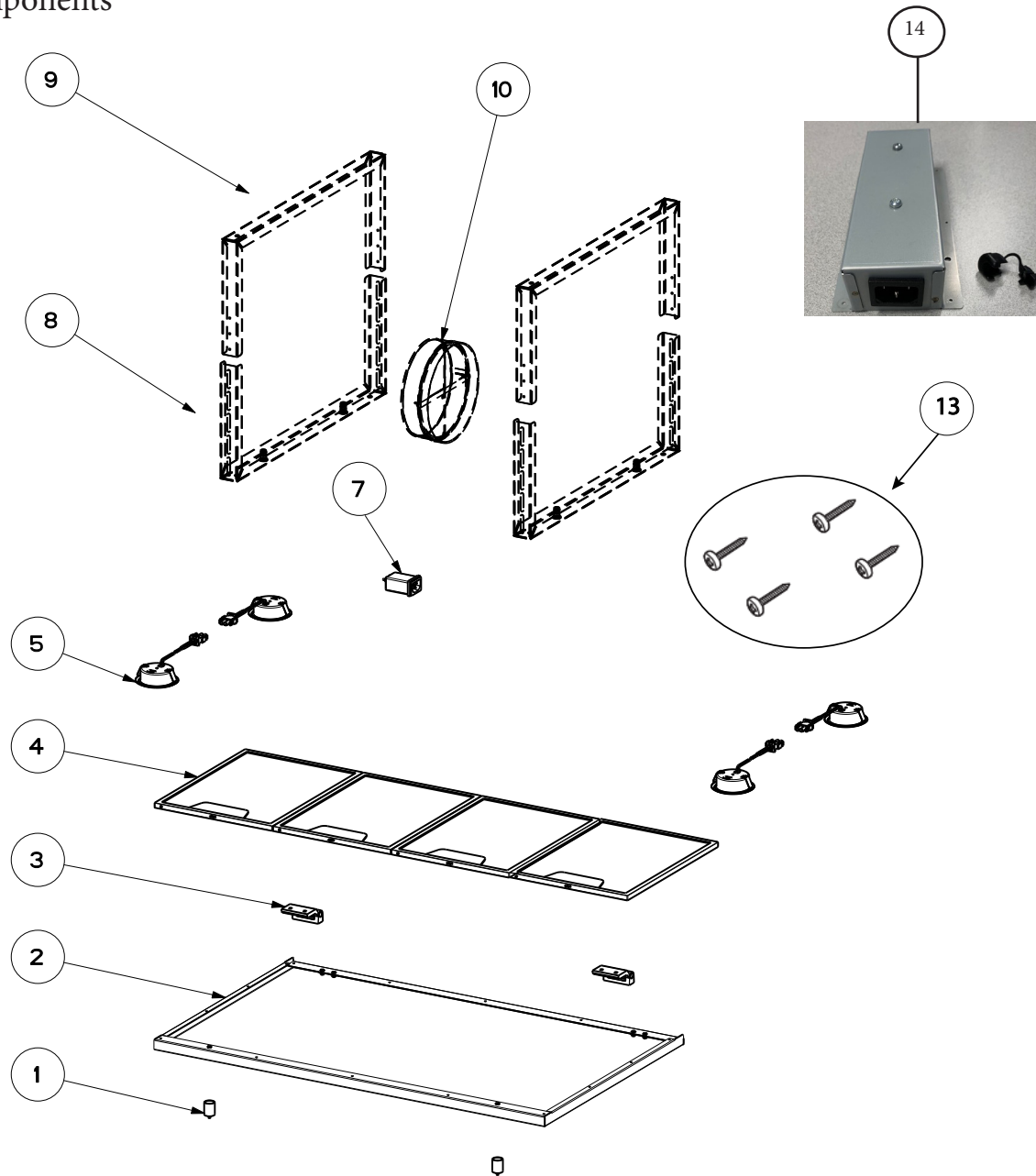


# STRATUS STAINLESS 2018 NB BLOWER MODEL

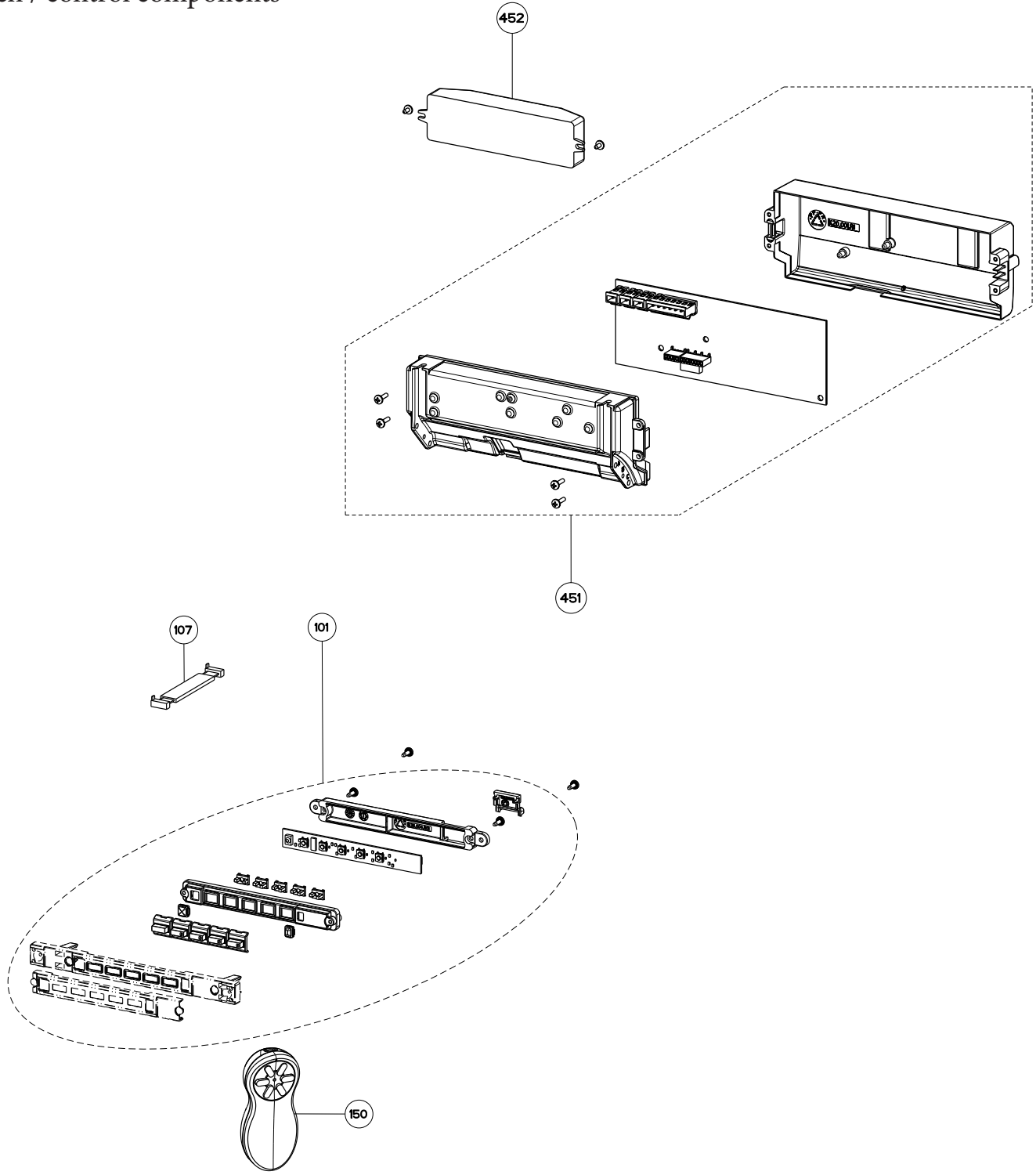
body components



	Model Number	STRTIS36SSNB	STRTIS48SSNB	
Key	Description	36 White	48 White	Qty Req.
1	Panel Magnet	133.0309.937	133.0401.022	2 (36"), 4 (48")
2	Perimetric SS Panel	133.0315.419	133.0537.547	1
3	Panel Hinge Kit	133.0304.582	133.0304.582	2
4	Grease Filter	133.0036.291	133.0036.291	3 (36"), 4 (48")
5	LED Lights	133.0289.829	133.0289.829	4
7	Electric Filter	133.0312.535	133.0312.535	1
14	Specialty EMI Filter	133.0578.876	133.0578.876	1
8	Lower Mounting Bracket	133.0433.035	133.0433.035	2
9	Upper Mounting Bracket	133.0433.034	133.0433.034	2
10	Damper	133.0055.994	133.0055.994	1
13	Stratus Hardware Kit	133.0548.899	133.0548.899	1

# STRATUS STAINLESS 2018 NB BLOWER MODEL

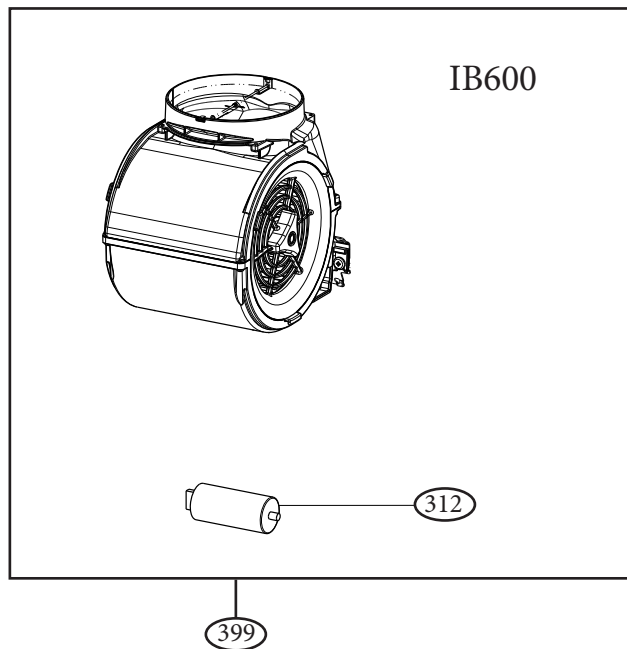
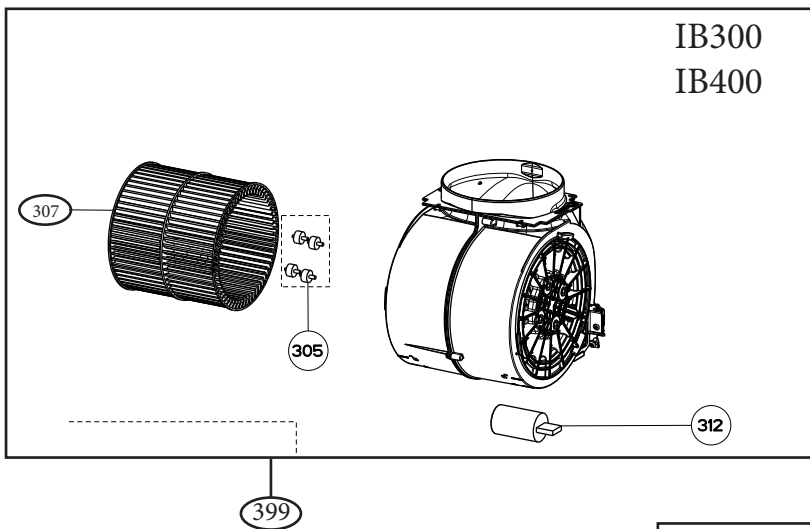
switch / control components



	Model Number	STRTIS36SSNB	STRTIS48SSNB	
Key	Description	36 White	48 White	Qty Req.
101	Control Kit	133.0386.936	133.0386.936	1
107	Ribbon Connector	133.0016.845	133.0016.845	1
451	Control Board	133.0516.453	133.0516.453	1
452	Transformer	133.0299.377	133.0299.377	1
150	Remote Control	REMCTRL2	REMCTRL2	1

# STRATUS STAINLESS 2018 NB BLOWER MODEL

motor components



	Model Number	IB300	IB400	IB600	
Key	Description	300 cfm motor	400 cfm motor	600 cfm motor	Qty Req.
305	Rubber Motor Mount	133.0051.603	133.0051.603		1
307	Impeller	133.0052.519	133.0052.519		1
312	Capacitor	133.0060.648	133.0060.648	133.0060.648	1
399	Motor Group	<b>133.0178.492</b>	<b>133.0052.518</b>	<b>133.0200.468</b>	1