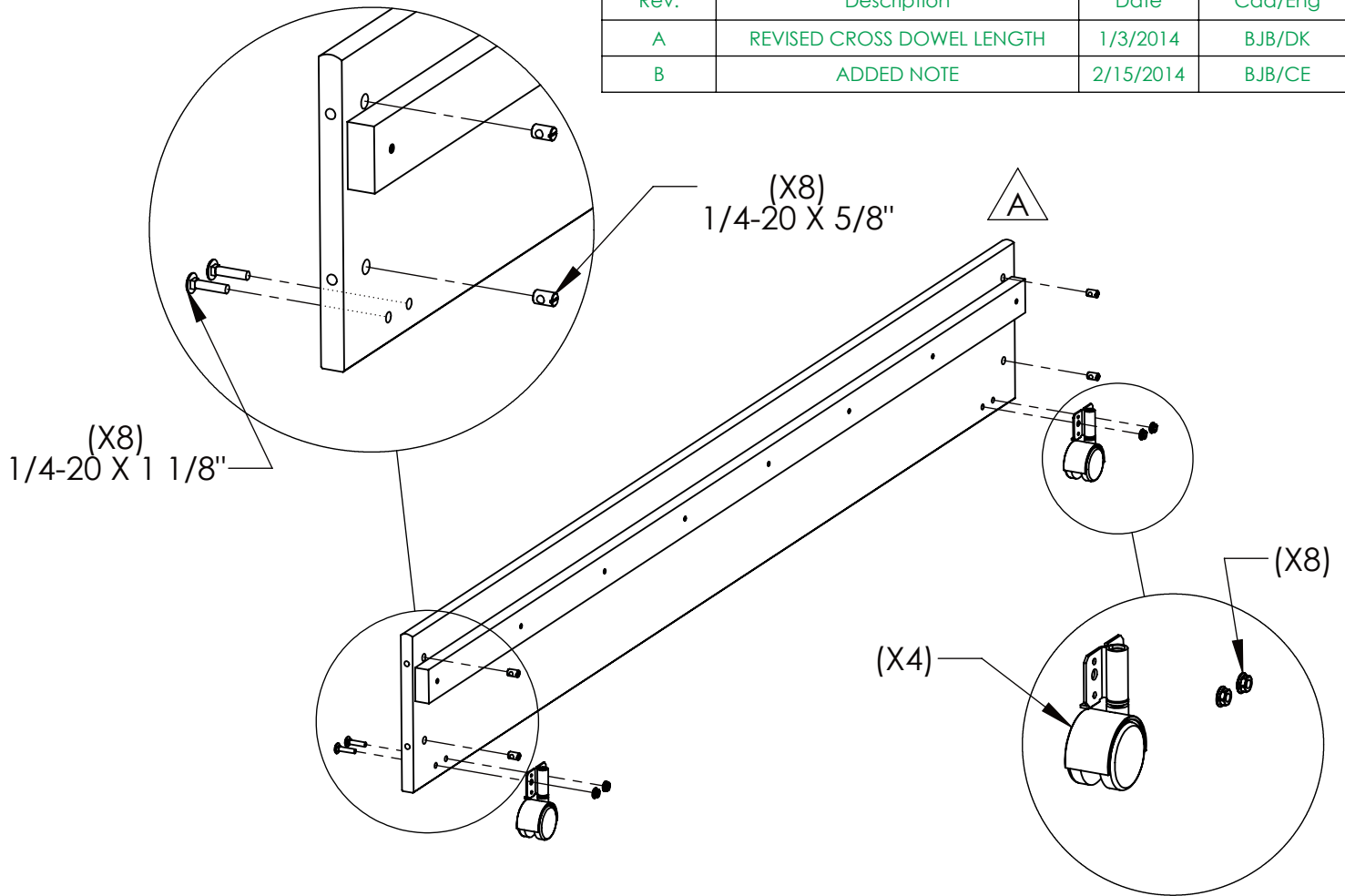


1.)

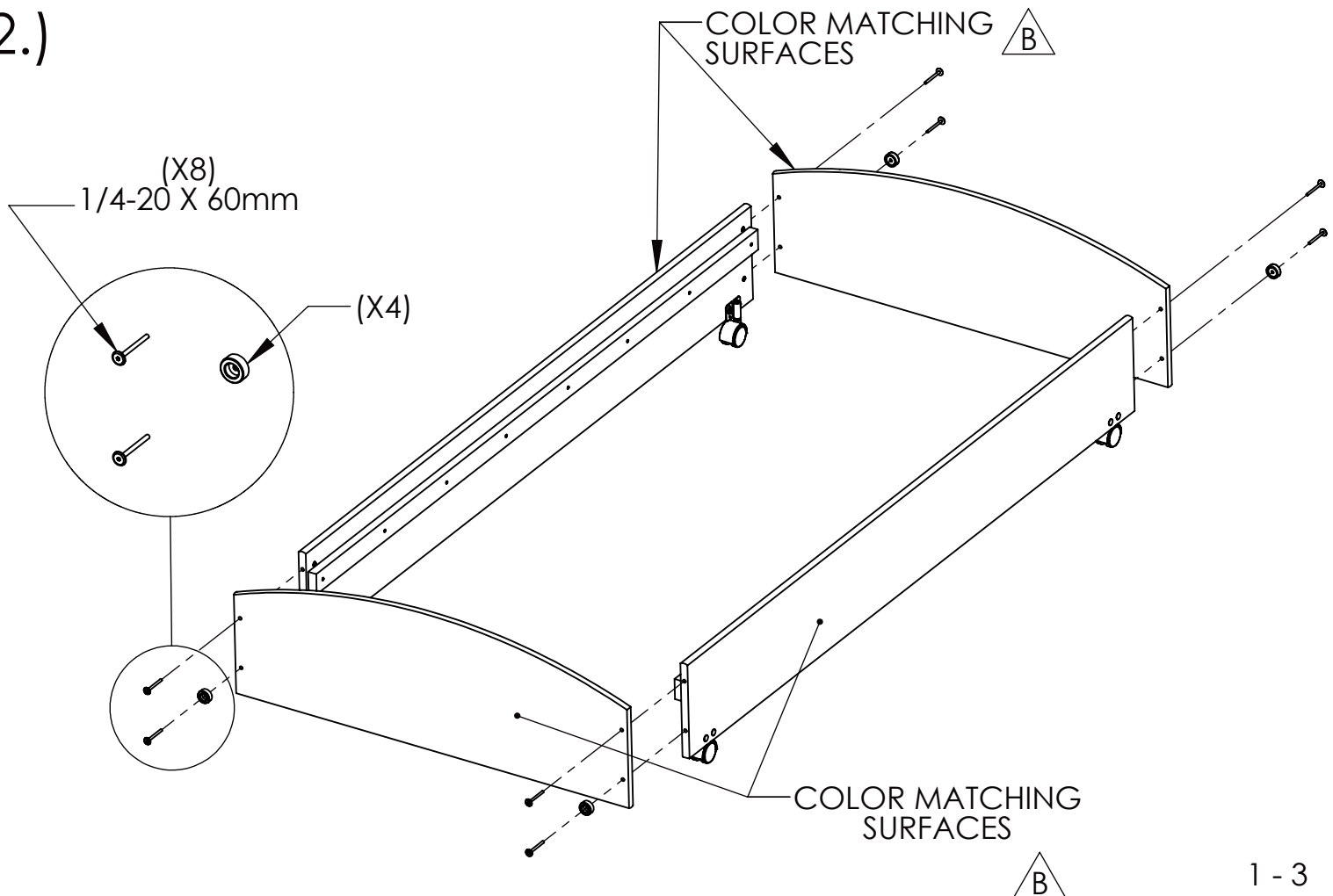
DWG#: 141216

1/17/2011

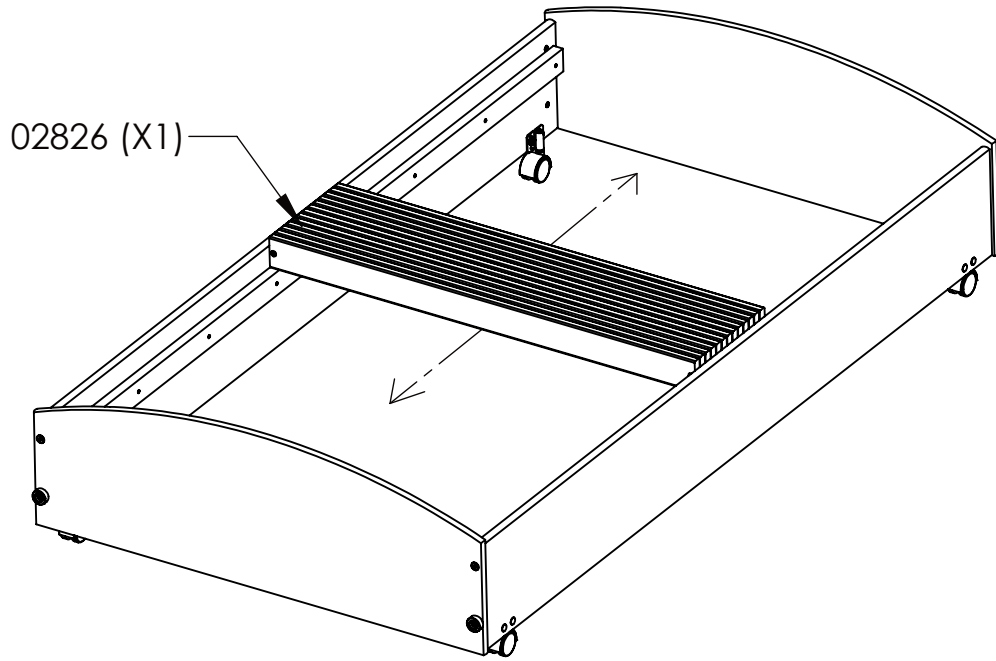
Rev.	Description	Date	Cad/Eng
A	REVISED CROSS DOWEL LENGTH	1/3/2014	BJB/DK
B	ADDED NOTE	2/15/2014	BJB/CE



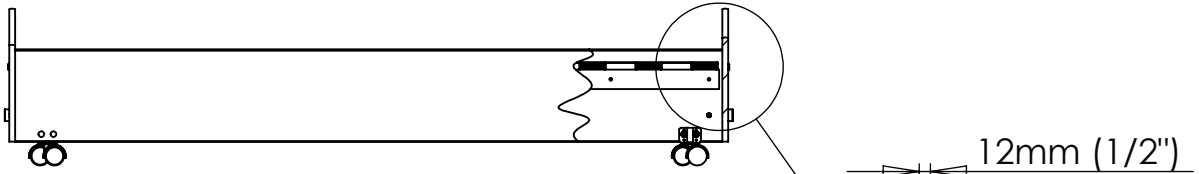
2.)



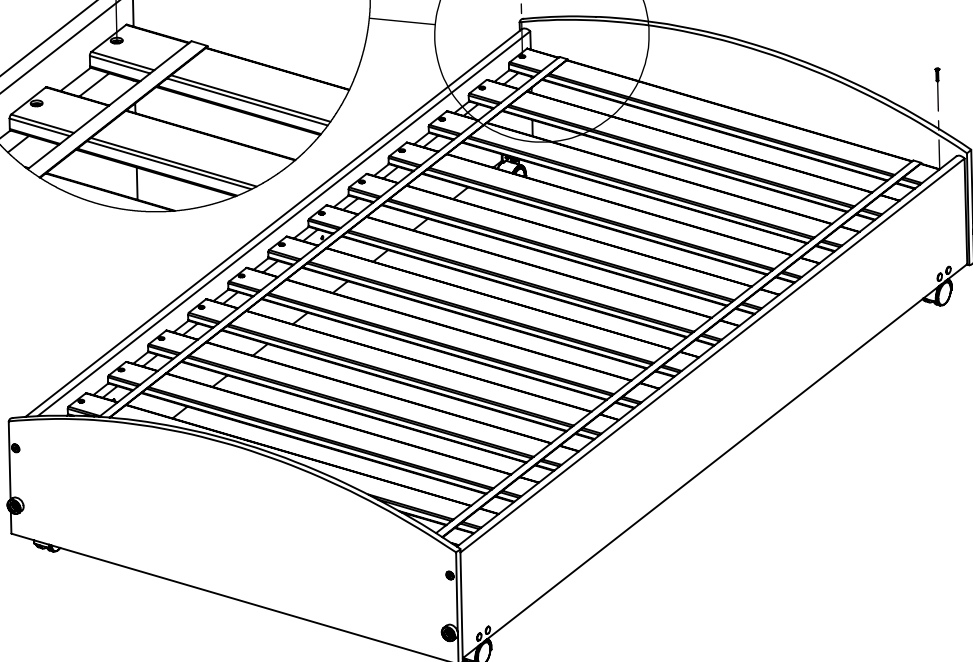
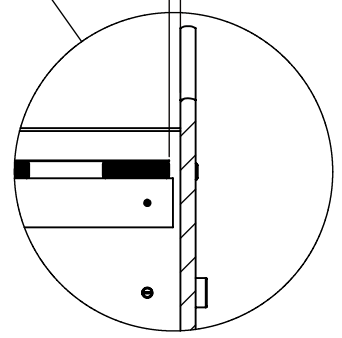
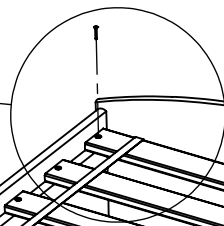
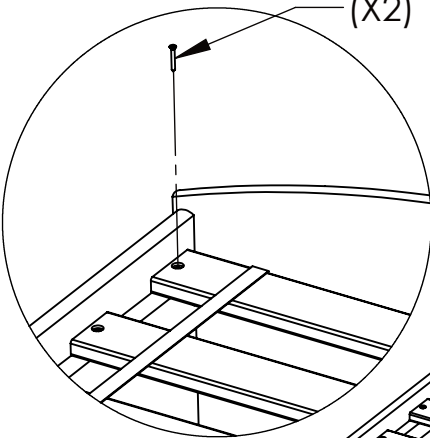
3.)



4.)



(X2) 1 1/8" FH

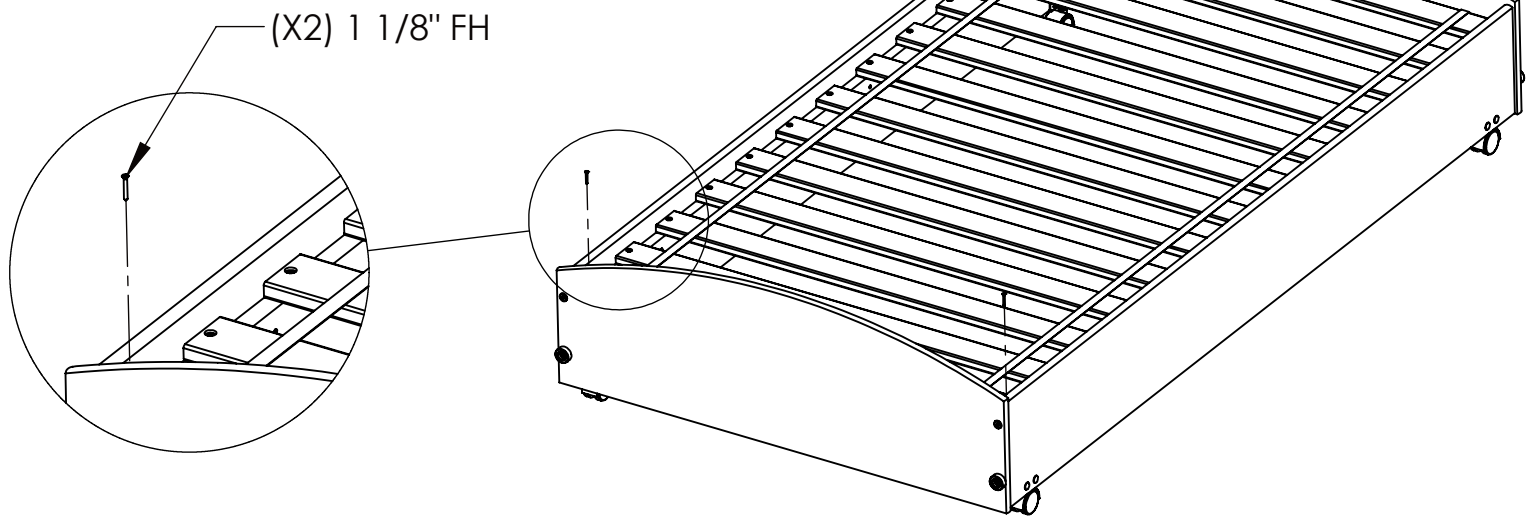
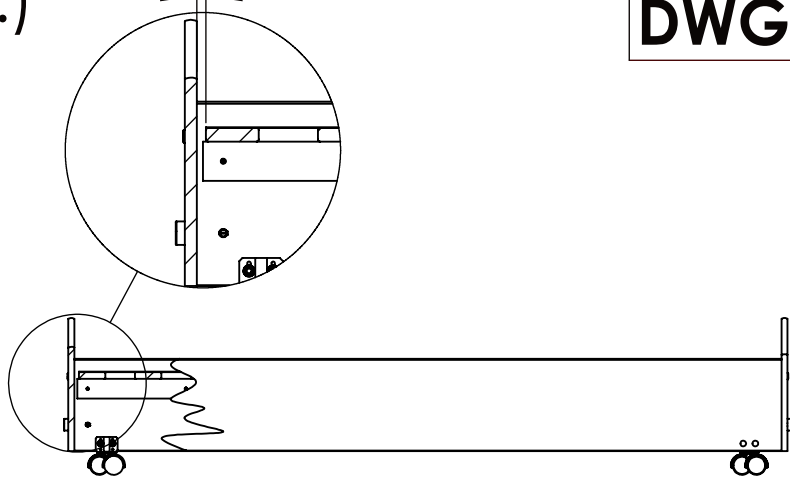


5.)

12mm (1/2")

DWG#: 141216

1/17/2011



6.)

(X22) 1 1/8" FH

