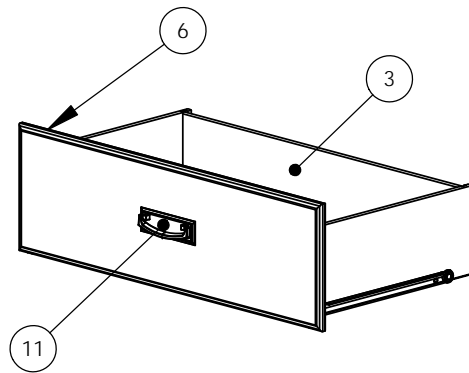
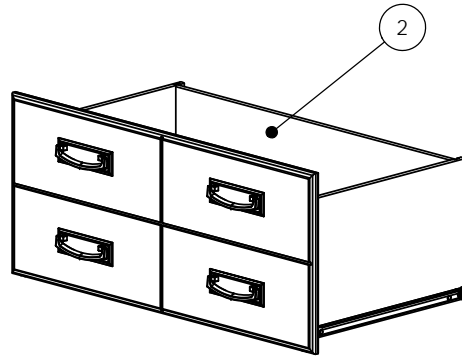
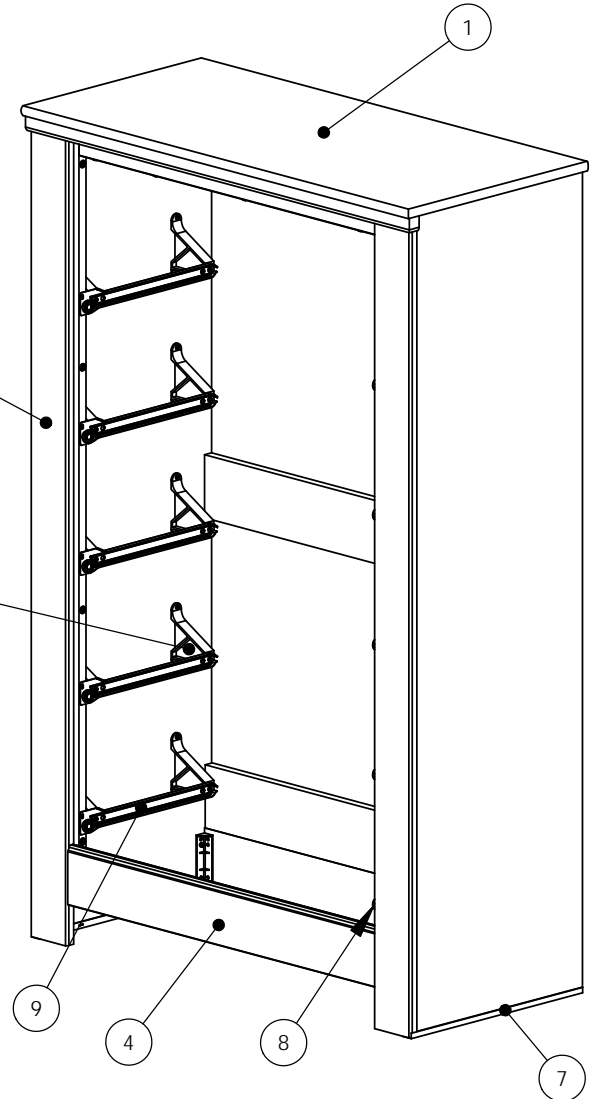


Item#	Qty	Description	MATERIAL
1	1	TOP ASSEMBLY	WOOD
2	1	TOP DRAWER ASSEMBLY	WOOD, METAL
3	4	BOTTOM DRAWER ASSEMBLY	WOOD, METAL
4	1	BASESTRIP ASSEMBLY ***	WOOD
5	2	PILASTER ***	WOOD
6	10	FELT PAD	FABRIC
7	2	CHANNEL MOULDING	PLASTIC
8	5	RIGHT CABINET GLIDE	METAL, PLASTIC
9	5	LEFT CABINET GLIDE	METAL, PLASTIC
10	1	TIPPING RESTRAINT	PLASTIC
11	5	HANDLE	METAL
12	20	GLIDE SPACER	PLASTIC



Dwg#: 34454			
Scale: 1:15	TOLERANCES ARE: METRIC:..... +.5 / -.5mm DECIMAL:..... 0 / -.008" FRACTIONAL:..... 0/ -1/32" (UNLESS OTHERWISE SPECIFIED)		
Date: 5/15/2014	Desc: Chest		
Rev.	Description	Date	Cad/Eng
A	CABINET GLIDE WAS DRAWER GLIDE	6/8/2016	LB/TH
B	ADDED BSTRP ASSEMBLY	1/26/2017	AJM/DK
C	UPDATED BASTRIP ASSEMBLY, AND PILASTER	2/12/2018	CM
D	UPDATED PILASTER NOTE	7/20/2018	JRP



*** - USE BASESTRIP ASSEMBLY BEFORE 2/3/2018
 - USE BASESTRIP ASSEMBLY B AFTER 2/3/2018

*** - USE PILASTER 142920 BEFORE 2/3/2018
 - USE PILASTER 191011 BETWEEN 2/3/2018 & 9/1/2018
 - USE PILASTER 165617 AFTER 9/1/2018

