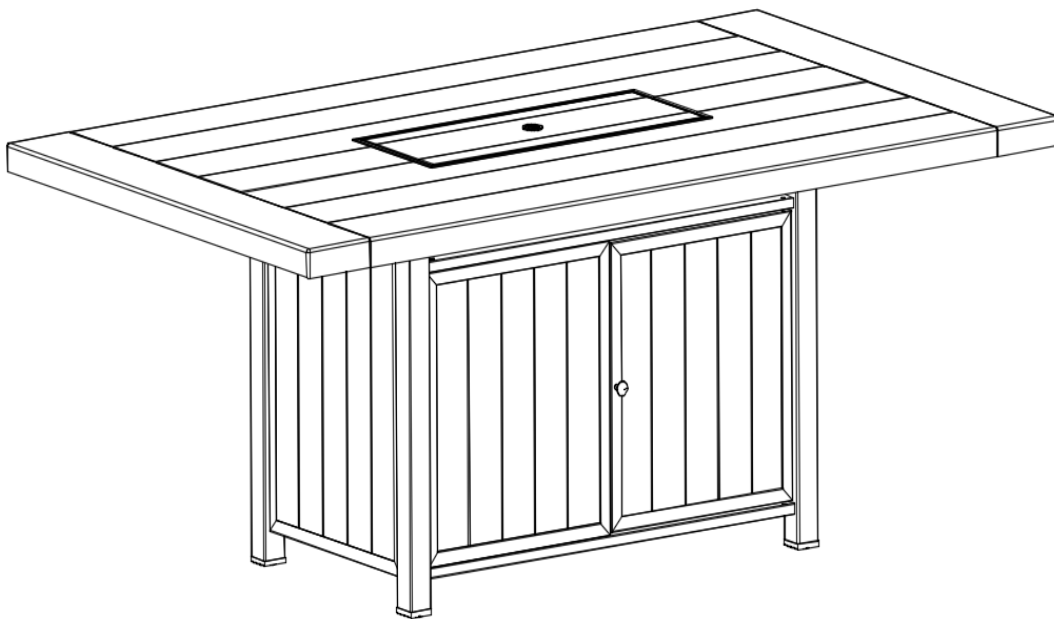




Outdoor Fire Pit Table User Guide

ITEM#: P318-773



SAVE THESE INSTRUCTIONS

Product has been CSA tested and certified.

THIS PRODUCT WAS MANUFACTURED BY FOSHAN DIHUI TECHNOLOGY INDUSTRIAL CO.,LTD FOR ASHLEY FURNITURE INDUSTRIES, INC.



IMPORTANT, FAILURE TO CAREFULLY READ, UNDERSTAND AND FOLLOW EVERY PART OF THIS DOCUMENT MAY RESULT IN PROPERTY DAMAGE, SERIOUS BODILY INJURY OR DEATH



ASSEMBLY INSTRUCTIONS



CSA MODEL p318-773-E

Installer: Leave these instructions with consumer.

Consumer: Keep these instructions for future reference.



SAFETY INFORMATION

FOR USE WITH 20LB (9KG) PROPANE CYLINDER WITH TYPE 1 CONNECTION OR FOR USE WITH NATURAL GAS AFTER CONVERSION KIT IS INSTALLED (MUST BE PROFESSIONALLY INSTALLED) ALSO THE LP REGULATOR MUST BE SUPPLIED BY THE MANUFACTURER.



WARNING

Do not store or use gasoline or other flammable vapors and liquids in the vicinity of this or any other appliance. An LP-cylinder not connected for use shall not be stored in the vicinity of this or any other appliance.



WARNING

USE FACTORY APPROVED REPLACEMENT PARTS AND ACCESSORIES ONLY. USE OF UNAPPROVED PART OR ACCESSORIES CAN VOID THE WARRANTY ON THIS PRODUCT AND RESULT IN A HAZARDOUS CONDITION. PLEASE CONTACT US FOR INFORMATION REGARDING REPLACEMENT HOSES, THERMOCOUPLES, ELECTRODES, IGNITION MODULES, LAVAROCKS, LOGS, FIRE ICE, ETC.



DANGER

DANGER indicates an imminently hazardous situation which. If not avoided. Will result in death or serious injury.



DANGER

Failure to comply with the precautions and instructions provided with this fire pit can result in death, serious bodily injury and property loss or damage from hazards of fire, explosion, burn, asphyxiation, and/or carbon monoxide poisoning. Only persons who can understand and follow the instructions should use or service this fire pit.



DANGER

FOR YOUR SAFETY - if you smell gas;

1. Shut off gas to the appliance.
2. Extinguish any open flame.
3. If odor continues. Keep away from the appliance and immediately call you gas supplier or fire department.



SAFETY INFORMATION

DANGER

EXPLOSION-FIRE HAZARD

Keep solid combustibles, such as building materials, paper or cardboard, a safe distance away from the fire pit as recommended by the instructions.

Provide adequate clearances around air openings into the combustion chamber.

Never use the fire pit in spaces which do or may contain volatile or airborne combustibles, or products such as gasoline, solvents, paint thinner, dust particles or unknown chemicals.

During operation, this product can be a source of ignition. Keep fire pit area clear and free from combustible materials, gasoline, paint thinner, cleaning solvents and other flammable vapors and liquids. DO not use fire pit in areas with high dust content.

Minimum fire pit clearances from combustible materials: two (2) feet from the sides & two (2) feet from the rear, 6 feet from ceiling.

DANGER

EXPLOSION - FIRE HAZARD

Never store propane near high heat, open flames, pilot lights, direct sunlight, other ignition sources or where temperatures exceed 120 degrees F (49°C).

Propane vapors are heavier than air and can accumulate in low places. If you smell gas, leave the area immediately.

Never install or remove propane cylinder while fire pit is lighted, near flame, pilot lights, other ignition sources or while fire pit is hot to touch.

The fire pit is red hot during use and can ignite flammables too close to the burner. Keep flammables at least 2 feet from sides & 2 feet from rear, 6 feet from ceiling. Keep gasoline and other flammable liquids and vapors well away from fire pit.

Store the propane cylinder outdoors in a well ventilated space out of reach of children. Never store the propane cylinder in an enclosed area (house, garage, etc.). If fire pit is to be stored indoors, disconnect the propane cylinder for outdoor storage.

WARNING

We cannot foresee every use which may be made of our fire pit.

Check with your local fire safety authority if you have questions about fire pit use.

Other standards govern the use of fuel gases and heat producing products for specific uses. Your local authorities can advise you about these.

If no local codes exist, follow National Fuel Gas Code, ANSI Z223. 1. In Canada, installation must conform to local codes. If no local codes exist, follow the current National standards of CANADA CAN/CGA-B 149.2.

DANGER

CARBON MONOXIDE HAZARD

This fire pit is a combustion appliance. All combustion appliances produce carbon monoxide (CO) during the combustion process. This product is designed to produce extremely minute, non-hazardous amounts of CO if used and maintained in accordance with all warnings and instructions. DO not block air flow into or out of the fire pit. Carbon monoxide (CO) poisoning produces flu-like symptoms, watery eyes, headaches, dizziness, fatigue and possibly death. You can't see it and you can't smell it. It's an invisible killer. If these symptoms are present during operation of this product get fresh air immediately!

For outdoor use only.

Never use inside house, or other unventilated or enclosed areas.

This fire pit consumes air (oxygen). Do not use in unventilated or enclosed areas to avoid endangering your life.

WARNING

WARNING indicates an imminently hazardous situation which, if not avoided, will result in death or serious injury.

WARNING

Do not store or use gasoline or other flammable vapors and liquids in the vicinity of this or any other appliance. An LP-cylinder not connected for use shall not be stored in the vicinity of this or any other appliance.

WARNING: For Outdoor Use Only

DANGER



CARBON MONOXIDE HAZARD

This appliance can produce carbon monoxide which has no odor. Using it in an enclosed space can kill you. Never use this appliance in an enclosed space such as a camper, tent, car or home.

WARNING

Improper installation, adjustment alteration, service or maintenance can cause property damage, injury or death. Read the installation, operating and maintenance instructions thoroughly before installing or servicing this equipment.

TABLE OF CONTENTS

1. Important Safety Information	5
2. Information about Propane.....	7
3. Specifications	7
4. Parts List.....	8
5. Hardware List	9
6. Installation	10
7. Natural Gas Conversion.....	14
8. Lighting Instructions	15
9. Maintenance	16
10. Troubleshooting Guide	16



IMPORTANT SAFETY INFORMATION



The installation must conform with local codes or, in the absence of all applicable local codes, including, without limitation, with the National Fuel Gas Code, ANSI Z223.1/NFP A 54; International Fuel Gas Code; Natural Gas and Propane Installation Code, CSA B149.1; or Propane Storage and Handling Code, B149.2, as applicable.

The appliance and its appliance main gas valve must be disconnected from the gas supply piping system during any pressure testing of that system at test pressures in excess of 1/2 psi (3.5kPa).

The appliance must be isolated from the gas supply piping system by closing its equipment shutoff valve during any pressure testing of the gas supply system at test pressure equal to or less than 1/2 psi (3.5kPa).

The appliance area must be kept clear and free from combustible materials, gasoline and other flammable vapors and liquids.

Do not use this appliance if any part has been damaged or under water. Immediately call a qualified service technician to inspect. Immediately call a qualified service technician to inspect the appliance and to replace any part of the control system and any gas control which has been damaged or under water.



Do not sit or stand on appliance even when not in use and do not touch appliance while in use or for at least 45 minutes after use as the appliance is very hot during use and can cause serious burns.



The appliance will remain hot for up to 45 minutes after use. Do not touch or move appliance for at least 45 minutes after it has been completely shut off.



Children and adults should be alerted to the hazards of high surface temperatures and kept at a safe distance to avoid burns or clothing ignition.



All children should be kept away from the appliance and should not be allowed near the product unless carefully supervised by an adult.



Clothing, any other object or flammable material should not be hung from the appliance, placed on, near or underneath the appliance.



Any screen or guard removed for servicing an appliance must be replaced prior to operating the appliance.



Keep children away from this appliance. This appliance contains small parts that can be swallowed by children resulting in serious bodily injury or death.



Installation and repair should be done by a qualified service person. The appliance should be inspected before use and at least annually by a professional service person. More frequent cleaning may be required as necessary. It is imperative that the control compartments, burners and circulating air passageways of the appliance be kept clean.

Do NOT burn solid fuels in this gas fireplace.

Do NOT ignite the burner before pouring all of the burner media (lava rock or fire glass) into the burner pan. The media must be evenly distributed over the burner.

During initial firing of fire pit, please stay away from the fire pit for 20 minutes as fire media (lava rock or fire glass) may pop and hit someone on the face or eyes

Do NOT ignite or use the fire pit if the burner media (lava rock or fire glass) are wet. Ensure the burner media are completely dry before igniting as intense heat could cause the media to crack and pop. Always place the cover on the appliance when not in use in order to avoid water contacting the media.



IMPORTANT SAFETY INFORMATION



It is UNSAFE to use this product for any purpose except as described in this document including, without limitation, cooking.

CAUTION: The propane gas pressure regulator provided with this appliance must be used. This regulator is set for an outlet pressure of 11 inches water column.

This outdoor gas appliance is not intended to be installed in or on recreational vehicles and/or boats.

Before each use of this gas appliance, open the LP (Liquid Propane) Tank Drawer and inspect the LP Hose. If there is evidence of excessive abrasion or wear, or the hose is cut, it must be replaced prior to the gas appliance being put into operation. Use only the replacement hose assembly specified in this manual. Inspect the burner before each use of the appliance. The burner must be replaced prior to the appliance being put into operation if it is evident that the burner is damaged. Use only the burner listed in these instructions.

Keep the fuel supply hose away from any heated surfaces.

If you have any questions regarding the use of this unit, or find that your fire pit unit needs service, please contact Ashley Furniture Industries at the below number.
1 (800) 477-2222 Customer Service.

IMPORTANT SAFETY INFORMATION ABOUT PROPANE (LP) GAS

A self-contained LP-gas cylinder for use with this appliance must have a capacity of 20 lbs. and must be equipped with a Type 1 connector and an OP D (overfill protection device). See Figure 1.

The LP-gas supply cylinder to be used must be constructed and marked in accordance with the specification for LP- gas cylinders of the U.S. Department of Transportation (DOT) or the National Standard of Canada, *CAN/CSA-B339, Cylinder, Sphere and Tubes for the Transportation of Dangerous Goods*.

- The cylinder supply system must be arranged for vapor withdrawal.
 - The cylinder used must include a collar to protect the cylinder valve.
 - This appliance shall be used only outdoors in a well-ventilated space and shall not be used in a building, garage or any other enclosed space.
 - When this appliance is not in use, the gas must be turned off at the supply cylinder.
 - Storage of this appliance indoors is permissible only if the cylinder is disconnected and removed from the appliance.
 - Cylinders must be stored outdoors in a well-ventilated area out of the reach of children. Disconnected cylinders must have threaded valve plugs tightly installed and must not be stored in a building, garage or any other enclosed areas.
- CSA (Canadian Standards Association) certified to ANSI Z21.97•CSA 2.41-2017
“Outdoor Decorative Gas Appliances”.

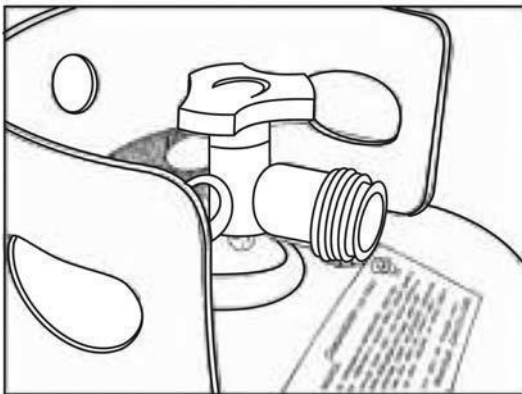
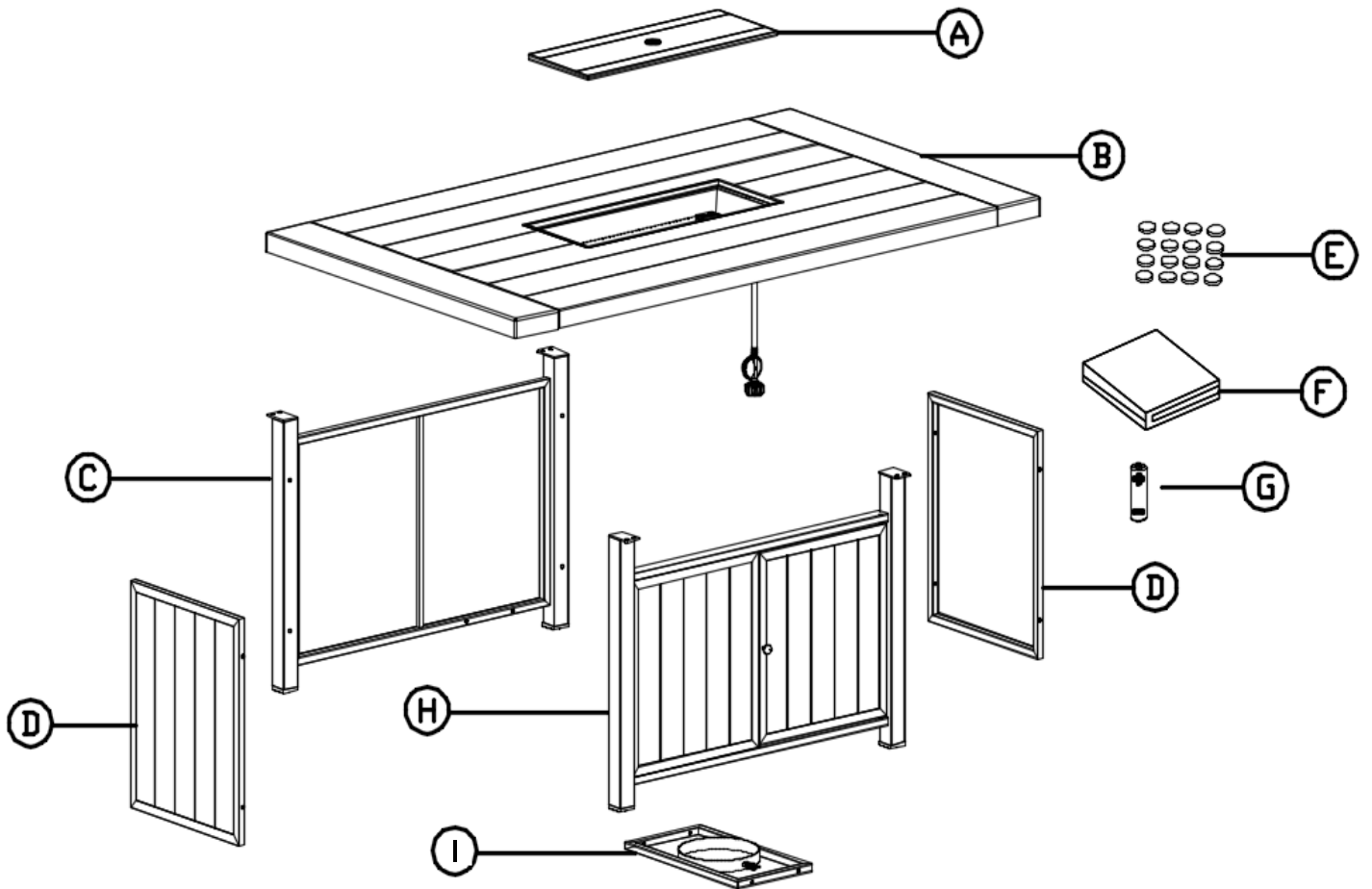


Figure 1

SPECIFICATIONS

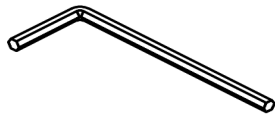
INPUT	30,000 Btu/hr	
Propane Regulator Pressure	11 inches water column	
Natural Gas Minimum Inlet Pressure	7 inches water column	
Clearances to combustible surfaces	Sides: 42in./106.7cm	Top: 72 in. / 182.9 cm

PARTS IDENTIFICATION LIST



Item	Description	Qty
A	Lid	1PC
B	Table Top	1PC
C	Back Frame	1PC
D	Side Frame	2PCS
E	Fire Glass (Weight: 7kg)	1BOX
F	PVC rain cover	1PC
G	Battery (AAA)	1PC
H	Door Frame	1PC
I	Tank Holder	1PC

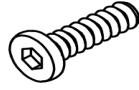
HARDWARE LIST



N



O



P



R



S

Item	Description	Qty
N	4mm Allen Wrench	1PC
O	1/4" * 20mm Bolt	8 PCS
P	1/4" * 35mm Bolt	12 PCS
R	∅6.5*∅12mm Flat Washer	20 PCS
S	1/4" Lock Washer	20 PCS

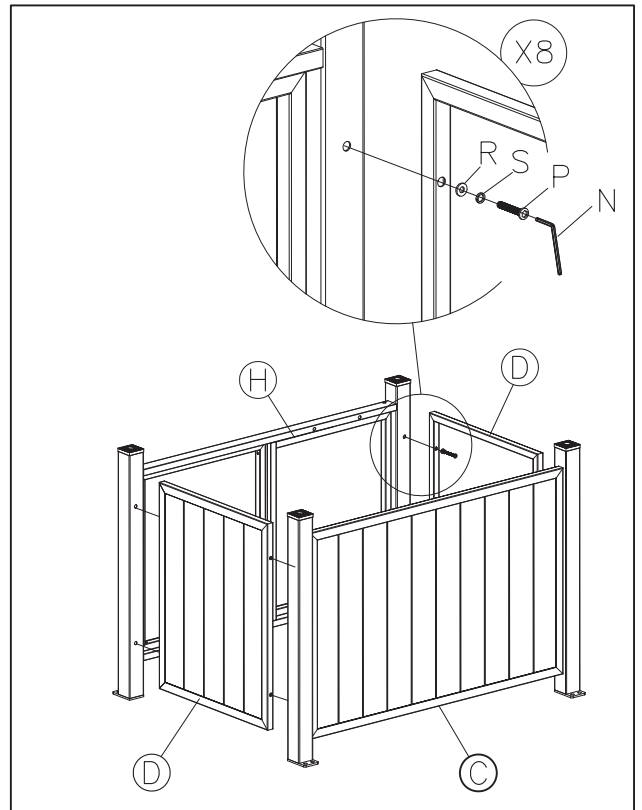
Before beginning assembly of this product be sure all parts are present. Compare parts with package contents list and hardware contents list. If any part appears to be missing or damaged do not begin assembly of this product and call customer service immediately.

Estimated assembly time: 30 minutes

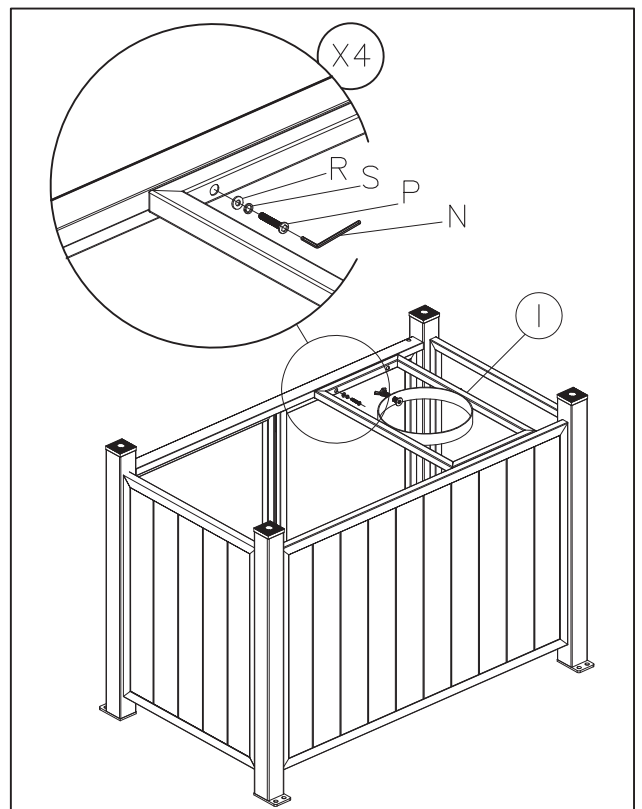
Tools required for assembly (included): Wrench(N)

INSTALLATION

1. Attach Side Frames(D), Back Frame(C), Door Frame(H) together using 8 pcs of 1/4"*35mm Bolt(P), 8 pcs of 1/4" Lock Washer(S) and 8 pcs of Ø6.5*Ø12mm Flat Washer(R) by 4mm Allen Wrench(N).

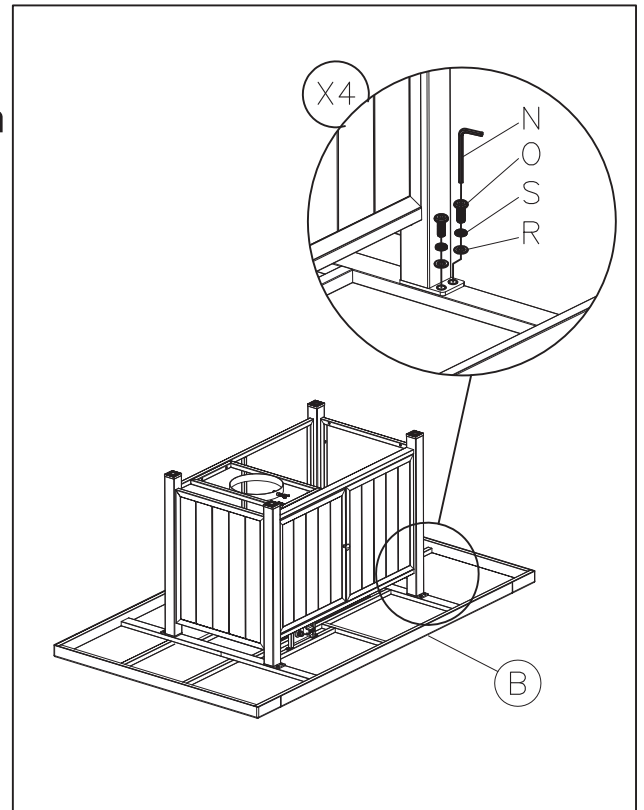


2. Attach Tank Holder(I) to the unit using 4 pcs of 1/4"*35mm Bolt(P), 4 pcs of Lock Washer(S) and 4 pcs of Ø6.5*Ø12mm Flat Washer(R) by 4mm Allen Wrench(N).

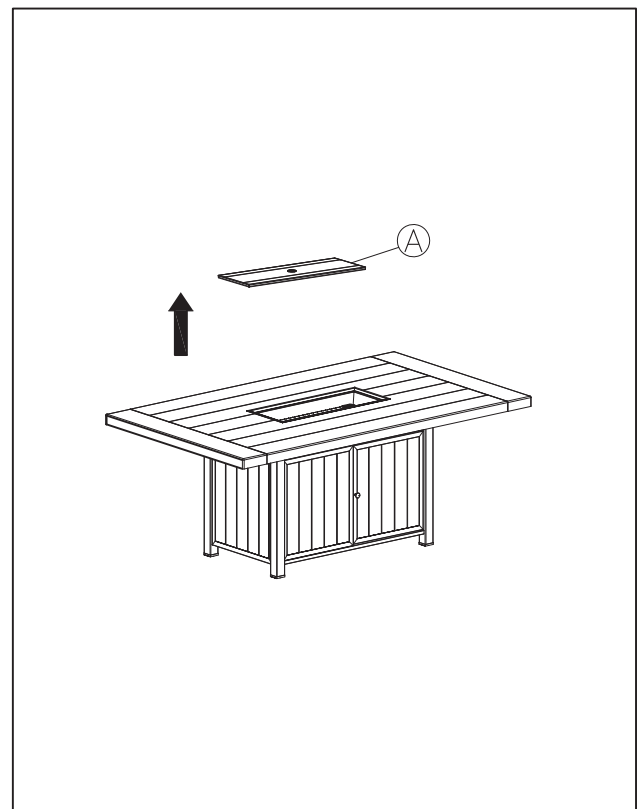


INSTALLATION

3. Attach the unit to Table Top(B) using 8 pcs of 1/4"*20mm Bolt(O), 8 pcs of 1/4" Lock Washer(S) and 8 pcs of Ø6.5*Ø12mm Flat Washer(R) by 4mm Allen Wrench(N).



4. Take off the Lid(A) from the fire bowl.

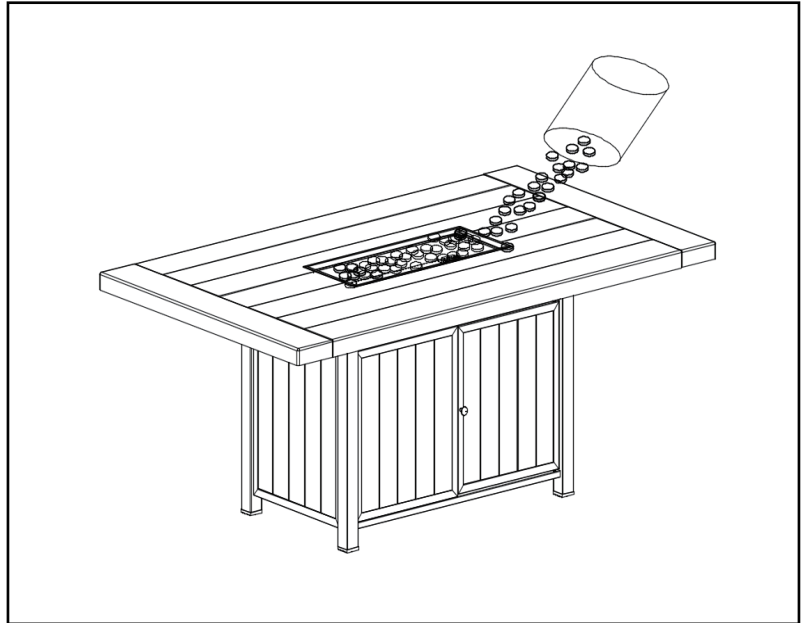


INSTALLATION

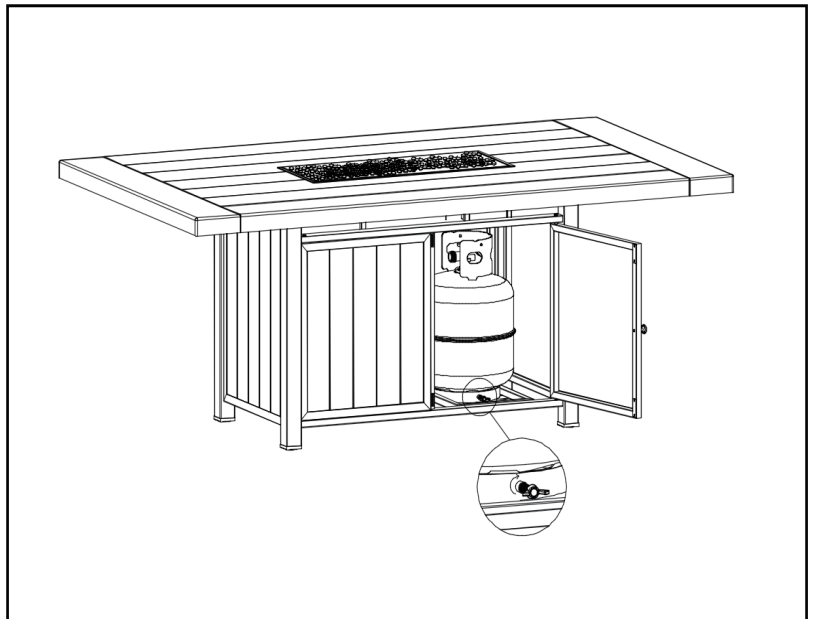
5. Pour the fire beads into fire bowl.

DANGER

To ensure proper function, the guard on this burner must not be covered by glass beads.

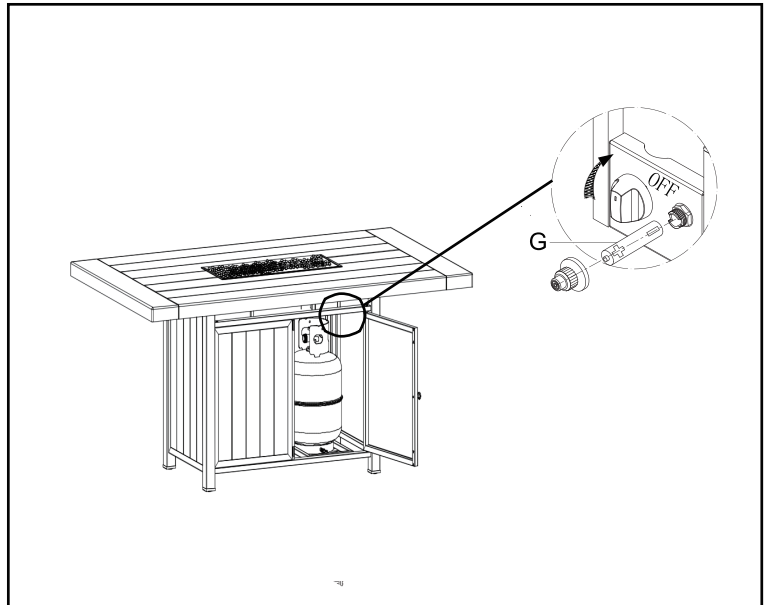


6. Place the 20-pound cylinder into the unit and tighten it as shown on the right side.

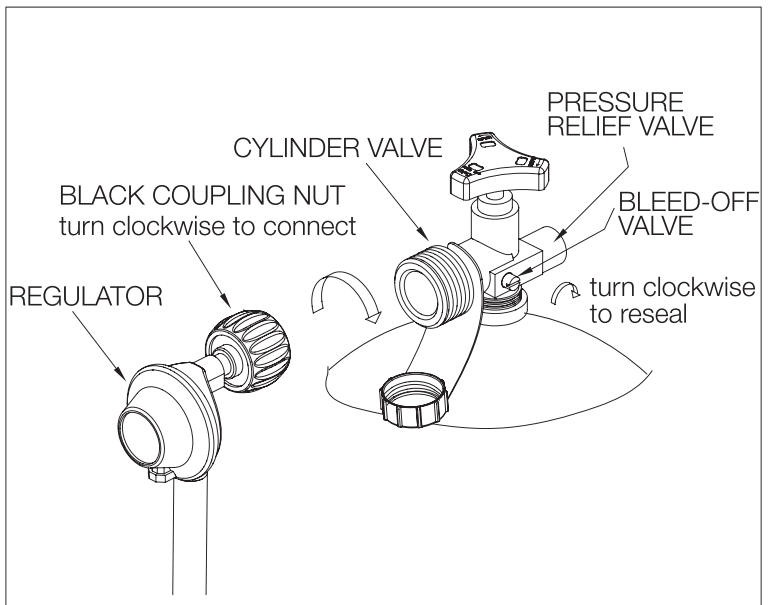


INSTALLATION

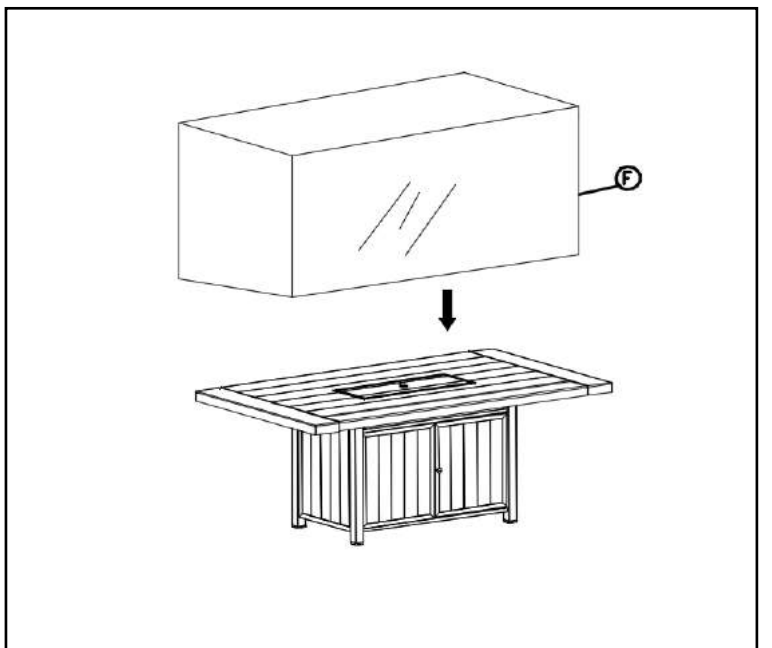
7 .Make sure the control knob is in the "OFF" position. Unscrew the push button cap on the ignition module located on the control panel to access the Battery(G) compartment. The ignition module requires one AAA size Battery (G).



8 . Turn the cylinder valve on the tank clockwise to close the propane tank. Attach the preassembled regulator to the cylinder valve by turning the regulator coupling nut clockwise. Make sure it is fastened securely and tighten connections by hand only. Open the tank valve. Apply a solution of soapy water to the tank-regulator connection and to the valve-hose connection to check for leaks. If soap bubbles continue to form, the connection has a leak. If a leak is found, close the tank valve and tighten all connections. **NEVER USE A FLAME TO CHECK FOR LEAKS.**



9. Cover the fire pit with the PVC cover (F) when not in used to protect the unit from the elements. The fire pit must be allowed to **COMPLETELY** cool after use before covering.



This unit can be converted to operate on natural gas. If you wish to convert this unit, please contact your Ashley Furniture representative and order **PA30-1** (sold separately).



NATURAL GAS CONVERSION



Natural gas conversion must be performed only by your natural gas provider or service company. Attempting to perform the natural gas conversion yourself is not safe and may result in property damage, serious bodily injury or death.



IMPORTANT

SAVE THESE INSTRUCTIONS



DANGER

If you smell gas:

1. Shut off gas to the appliance.
2. Extinguish any open flame.
3. If odor continues, keep away from the appliance and immediately call your gas supplier or fire department.



WARNING

If the information in this manual is not followed exactly, a fire or explosion may result causing property damage personal injury or loss of life.

Improper Installation, adjustment, alteration, service or maintenance can cause injury or property damage.

Read the installation, operation and maintenance instructions thoroughly before installing or servicing this equipment.



Prior to turning gas on and attempting to light the appliance, make sure the appliance is outside, in a well ventilated area and free of any debris and is not in contact with or near any people, animals, materials or structures. Failure to adhere to the above instruction may result in property damage, serious bodily injury or death.



LIGHTING INSTRUCTIONS

To Light

1. Read instructions before lighting.
2. Control knob must be in the "OFF" position. Remove the cover from the fire pit.
3. Connect propane cylinder (See Manual), open cylinder valve.
4. Push and turn control knob counter clockwise to "LOW".
5. Press the igniter button repeatedly to light burner.
6. Release control knob after 45 seconds.
7. If ignition does not occur in 45 seconds, push and turn burner control knob to "OFF", wait 5 minutes, fan with newspaper or magazine, and repeat lighting procedure.
8. If igniter does not light burner, use a long match or long butane lighter.
9. After burner ignites, adjust flame to desired flame with the control knob.

To Extinguish

1. Turn and push the control knob clockwise to the OFF position.
2. Close cylinder valve, disconnect propane cylinder.
3. Allow unit to cool completely before covering.

MAINTENANCE

- Before performing any maintenance always disconnect propane gas tank.
- Keep the heating item free and clear from combustible materials.
- Visually inspect burner for obstructions and keep tank enclosure free and clear from debris.
- Use a soft brush to get rid of the mild stains, loose dirt and soil after the burner is completely cooled down. Wipe down with a soft cloth.
- Harsh weather conditions may cause stubborn stains, discoloration and possibly rust pitting.
- Permanent damage may occur if powder or solvent comes in contact with painted or plastic components on this heating unit.
- Keep the heating unit stored away from direct sunlight.
- If storing this unit inside, disconnect the propane gas tank from the gas valve.
- Not using manufacturer approved or supplied parts/accessories may result in a defective condition and void the warranty of this heating unit.
- Carbon deposits may pose as a fire hazard; clean the reflector and inside of the glass tube with soap and water if any carbon deposits are present.

TROUBLESHOOTING GUIDE

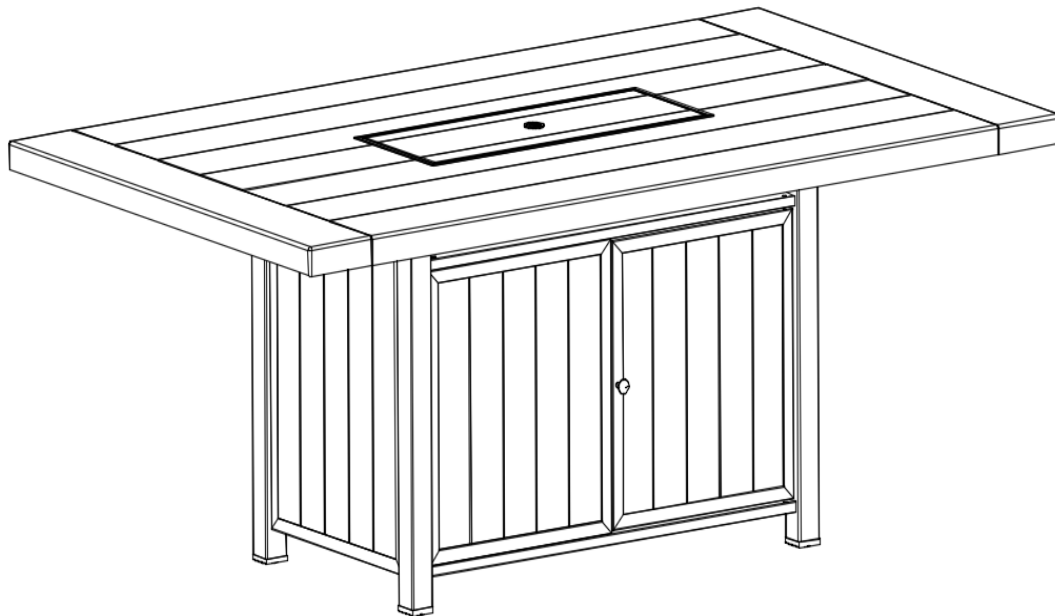
It is recommended that you contact a qualified service technician if you believe the appliance is not functioning properly.

PROBLEM	CAUSE	REMEDY
Burner won't light	No Propane Gas at Burner	Check that gas tank valve is open. Turn control knob to "ON" and push control knob in. Make sure tank has propane gas.
	No Spark at Electrode	Check that AAA battery is installed with negative (-) end first and has a charge. Check that the wire is connected to the ignition module. Check that the electrode is not cracked or broken.
	Lack of oxygen	Remove excess fire glass or from around the ignition well.
Burner won't stay lit after lighting	Thermocouple not in flame	Check that the tip of the thermocouple is even with the top of the ignition well. Remove any glass beads from the ignition well.
	Thermocouple connection at the main control valve is loose	Tighten the thermocouple nut at the back of the valve.
	No fire glass on Burner	Cover the burner with fire glass per the instructions



Guide d'Utilisateur Foyer de Carré Extérieur

ARTICLE#: P318-773



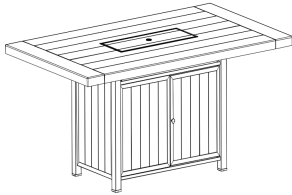
SAUVEGARDER CES INSTRUCTIONS

Le produit a été testé et certifié par CSA

CE PRODUIT A ETE FABRIQUE PAR QUANZHOU SANSHUI COMPOSITE MATERIALS INDUSTRY AND TRADE CO.,LTD. FOR ASHLEY FURNITURE INDUSTRIES, INC.



IMPORTANT, FAUTE DE LIRE ATTENTIVEMENT, COMPRENDRE ET SUIVRE CHAQUE PARTIE DE CE DOCUMENT POURRAIT CAUSER LE DOMMAGE DE BIENS, DE BLESSURE SERIEUSE DU CORPS OU LA MORT



INSTRUCTIONS DE MONTAGE



Modèle CSA p318-773-E

Installeur: Laisser ces instructions avec le client..

Client: Garder ces instructions pour la consultation ultérieure.



CONSIGNES DE SECURITE

POUR L'UTILISATION AVEC LA BOUTEILLE DE PROPANE DE 20LB (9KG) AVEC LA CONNEXION DU TYPE 1 OU POUR L'UTILISATION AVEC LE GAZ NATUREL APRES QUE LE KIT DE CONVERSION SOIT INSTALLE (DOIT ETRE INSTALLE PROFESSIONNELLEMENT) EGALEMENT LE REGULATEUR LP DOIT ETRE FOURNIT PAR LE FABRICANT.

AVERTISSEMENT

Ne pas stocker ou utiliser l'essence ou autres vapeurs et liquides inflammables à l'proximité de ceci ou tout autre appareil. Une bouteille LP non connectée pour l'utilisation ne doit pas être stockée à l'proximité de ceci ou tout autre appareil.

AVERTISSEMENT

UTILISER SEULEMENT LES PIECES DE REMPLACEMENT ET LES ACCESSOIRES APPROUVES PAR L'USINE. L'UTILISATION DE PIECE OU ACCESSOIRE NON APPROUVE PEUT ANNULER LA GARANTIE SUR CE PRODUIT ET CAUSER UNE CONDITION DANGEREUSE. VEUILLEZ NOUS CONTACTER POUR L'INFORMAITON CONCERNANT LES TUYAUX , LES THERMOCOUPLES ? DES ELECTRODES , DES MODULES D'ALLUMAGE, DES PIERRES DE LAVA, DES BUCHES, ET LA GLACE DE FEU ETC.



DANGER

DANGER indique une situation extrêmement dangereuse qui, si elle n'est pas évitée, pourrait causer des blessures



DANGER

Faute de conformer avec les précautions et les instructions fournies avec ce foyer peut causer la mort, la blessure grave corporelle et la perte de propriété ou dommage des dangers d'incendie, d'explosion, de brûlure, l'asphyxie, et/ou l'intoxication de monoxyde de carbone. Seule les personnes qui peuvent comprendre et suivre les instructions doivent utiliser ou servir ce foyer.



DANGER

POUR VOTRE SECURITE –si vous sentez le gaz;

1. Eteindre le gaz à l'appareil.
2. Eteindre toute flamme ouverte
3. Si l'odeur continue. Garder loin de l'appareil et appeler immédiatement votre fournisseur de gaz ou le département de feu

CONSIGNES DE SECURITE

DANGER

DANGER D'EXPLOSION-FEU

Garder des combustibles solides, tels que des matériaux de construction, le papier de carton, une distance sûre loin de foyer comme recommandé par des instructions.

Garder le déblaiement adéquat autour des ouvertures d'air dans la chambre de combustion. Jamais utiliser le foyer dans les espaces qui ne ou pourrait contenir les combustibles volatiles ou aériens, ou des produits comme l'essence, les solvants, le diluant à peinture, des particules de poussières ou des produits chimiques inconnus.

En cours d'opération, ce produit peut être une source d'allumage. Garder la zone de foyer déblaiée et sans matériaux de construction, d'essence, de diluant à peinture, des solvants de nettoyage et autres vapeurs et liquides inflammables. Ne pas utiliser le foyer dans les zones avec le contenu de poussière élevé.

DANGER

DANGER EXPLOSION -FEU

Jamais stocker la propane près de haute chaleur, des flammes ouvertes, des voyants lumineux, des lumières solaires directes, autres sources d'allumage ou autres températures dépassant 120 degrés F (49° C). Les vapeurs de propane sont plus épaisses que l'air et peuvent accumuler dans les endroits bas.

Si vous sentez le gaz, laissez immédiatement la zone. Jamais installer ou enlever la bouteille de propane lorsque le foyer est allumé, près de flamme, des voyants lumineux, ou autres sources d'allumage ou lorsque le foyer est chaud à toucher.

Le foyer est chaud rouge en cours d'utilisation et peut allumer des flammes très près de brûleur. Garder des flammes au moins 2 pouces de côtés & 2 pouces d'arrière, 6 pouces de plafond. Garder l'essence et autres liquides et vapeurs loin de foyer. Stocker la bouteille de propane à l'extérieur dans un espace bien ventilé hors portée des enfants. Jamais stocker la bouteille de propane dans une zone enfermée (maison, garage etc.).

Si le puits de feu doit être entreposé à l'intérieur, débranchez le cylindre de propane pour l'entreposage en plein air et laissez le puits de feu se refroidir complètement avant d'être déplacé à l'intérieur.

AVERTISSEMENT

Nous ne pouvons pas anticiper chaque usage qui pourrait être de notre foyer.

Vérifier avec l'autorité de sécurité de votre local si vous avez des questions à propos de l'usage de foyer. Autres normes régissent l'emploi de gaz et des produits produisant de chaleur pour des usages spécifiques. Votre autorités locales peuvent vous conseiller à propos de celles-ci.

Si aucun code local existe, suivre le Code de Gaz National, ANSI Z223. 1. Au Canada, l'installation doit conformer aux codes locaux. Si aucun code local existe, suivre les normes nationales actuelles de Canada.

DANGER

DANGER DE MONOXYDE DE CARBONE

Ce foyer est un appareil de combustion. Tous les appareils de combustion produisent le monoxyde de carbone (CO) en cours de combustion. Ce produit est conçu pour produire des montants de particules infimes non dangereuses de CO si utilisé et maintenu en conformité avec tous les avertissements et des instructions. NE pas bloquer la circulation d'air dans ou à l'extérieur de foyer. L'intoxication de monoxyde de carbone (CO) produit des symptômes similaires à la grippe, des yeux larmoyants, des maux de tête, des vertiges, la fatigue et possiblement la mort. Vous ne pouvez le voir et vous ne pouvez le sentir. C'est un tueur invisible. Si ces symptômes sont présents en cours d'opération de ce produit avoir l'air frais immédiatement!

Pour l'usage extérieur seul.

Jamais utiliser à l'intérieur de la maison, ou autres zones no

AVERTISSEMENT

AVERTISSEMENT indique une situation extrêmement dangereuse qui, si elle n'est pas évitée, peut causer la mort ou la blessure grave.

AVERTISSEMENT

Ne pas stocker ou utiliser l'essence ou autres vapeurs et liquides inflammables à l'approximité de cet ou tout autre appareil. Une bouteille LP non connectée pour l'utilisation ne doit pas être stockée à l'approximité de cet ou tout autre appareil.

AVERTISSEMENT: Seulement pour l'usage extérieur

DANGER



DANGER DE MONOXYDE DE CARBONE

Cet appareil peut produire le monoxyde de carbone qui n'a aucune odeur. L'utilisation de ceci dans un espace fermé peut vous tuer. Jamais utiliser cet appareil dans un camp, une tente, un véhicule ou à la maison.

AVERTISSEMENT

L'installation incorrecte, l'altération d'ajustement, l'entretien ou la maintenance peut causer le dommage de bien, la blessure ou la mort. Lire complètement des instructions d'installation, d'opération et de maintenance avant l'installation ou l'opération de cet équipement.

TABLE OF MATIERES

1.Consignes de Sécurité Importantes.....	21
2.Information à propos de Propane.....	23
3.Spécifications	23
4.Liste des Pièces.....	24
5. Lista de hardware.....	25
6.Installation	26
7.Conversion Au Gaz Naturel	30
8.Instructions d'Allumage.....	31
9.Maintenance.....	32
10.Guide de Dépannage	32



CONSIGNES DE SECURITE IMPORTANTES



L'installation doit conformer aux codes locaux ou, dans l'absence de tous les codes locaux applicables, y compris, sans limite, avec National Fuel Gas Code, ANSI Z223.1/NFP A 54; International Fuel Gas Code; Natural Gas and Propane Installation Code, CSA B149.1; ou Propane Storage and Handling Code, B149.2, comme applicable.

L'appareil et la vanne de gaz principale de l'appareil doivent être déconnectés de système de tuyauage d'alimentation de gaz en cours de test de pression de ce système à la pression de test limitée à 1/2 psi (3.5kPa).

L'appareil doit être isolé de système de tuyauage de gaz en fermant la vanne de fermeture en cours de test de pression de système d'alimentation de gaz à la pression de test égal ou moins de 1/2 psi (3.5kPa).

La zone de l'appareil doit être gardée dégagée et libre des matériaux combustibles, d'essence et autres vapeurs et liquides inflammables.

Ne pas utiliser cet appareil si toute pièce a été endommagée ou dans l'eau. Appeler immédiatement un technicien d'entretien qualifié pour inspecter l'appareil et remplacer toute pièce de système de contrôle et tout contrôle de gaz qui a été endommagé ou dans l'eau.

⚠ AVERTISSEMENT Ne pas vous asseoir ou reposer sur l'appareil même s'il n'est pas en utilisation et ne pas toucher l'appareil en cours d'usage ou pour au moins 45 minutes après l'usage comme l'appareil est très chaud en cours d'usage et peut causer les brûlures graves.

⚠ AVERTISSEMENT L'appareil va rester chaud pour jusqu'à 45 minutes après l'usage. Ne pas toucher ou déplacer l'appareil pour au moins 45 minutes après qu'il soit complètement éteint.

⚠ AVERTISSEMENT Les enfants et les adultes doivent être avertis aux dangers de hautes températures de surface et gardées à une distance sûre pour éviter des brûlures ou l'allumage de tissu.

⚠ AVERTISSEMENT Les enfants doivent être gardés loin de l'appareil et ne doivent pas être permis de près du produit sauf surveillance attentive par un adulte.

⚠ AVERTISSEMENT La garniture, tout autre objet ou matériel inflammable ne doit pas être suspendu de l'appareil, mis la-dessus, près ou sous l'appareil.

⚠ AVERTISSEMENT Tout écran ou protection enlevée pour entretenir un appareil doit être remplacé avant l'opération de l'appareil.

⚠ AVERTISSEMENT Garder des enfants loin de cet appareil. Cet appareil contient des petites pièces qui peuvent être avalées par les enfants causant de blessure grave corporelle ou la mort.

⚠ AVERTISSEMENT L'installation et la réparation doivent être faites par une personne d'entretien qualifiée. L'appareil doit être inspecté avant l'usage et au moins une fois par an par une personne d'entretien professionnelle. Le nettoyage plus fréquent pourrait être exigé si nécessaire. Il est impérative que les compartiments de contrôle, les brûleurs et les passages d'air de circulation de l'appareil soient gardés propre.

Ne PAS brûler des carburants solides dans ce foyer au gaz.

Ne PAS allumer le brûleur avant de verser tout de média de brûleur (pierre de lava ou glace de feu) dans le plat de brûleur. Le média doit être distribué proportionnellement sur le brûleur.

Si en cours d'allumage de foyer, veuillez rester loin de foyer pour 20 minutes comme le média de feu (pierre de lava ou glace de feu) pourrait sauter et frapper quelqu'un sur le visage ou dans les yeux.

Ne PAS allumer ou utiliser le foyer si le média de feu (pierre de lava ou glace de feu) sont mouillés. S'assurer que le média de brûleur soit sec complètement avant de l'allumer comme la chaleur intense pourrait causer le média à craquer et sauter. Mettre toujours le couvercle sur l'appareil en cas de non usage afin d'éviter l'eau de contacter le média.



CONSIGNES DE SECURITE IMPORTANTES



Il n'est pas SÛRE d'utiliser ce produit pour de but sauf décrit dans ce document y compris, sans limite, la cuisine.

PRECAUTION: Le régulateur de pression de propane fourni avec cet appareil doit être utilisé. Ce régulateur est réglé pour une pression de sortie de 11 pouces de colonne d'eau

Cet appareil de gaz externe n'est pas pour l'installation dans ou sur des véhicules et/ou bateaux de loisirs.

Avant chaque usage de cet appareil de gaz, ouvrir le Tiroir de Réservoir de LP (Propane Liquide) et inspecter le tuyau de LP. S'il y a l'évidence d'abrasion ou usure excessive, ou le tuyau est coupé, il doit être remplacé avant de mettre l'appareil en usage. Utiliser seulement le montage de tuyau de remplacement spécifié dans ce manuel. Inspecter le brûleur avant chaque usage de l'appareil. Le brûleur doit être remplacé avant de mettre l'appareil en usage s'il est clair que le brûleur est endommagé. Utiliser seulement le brûleur listé dans ces instructions.

Garder le tuyau d'alimentation loin des surfaces chaudes.

Si vous avez des questions concernant l'usage de cet appareil, ou trouvez que votre foyer nécessite l'entretien, veuillez contacter Ashley Furniture Industries au numéro ci-dessous.
1 (800) 477-2222 Service Clientèle.

CONSIGNES DE SECURITE IMPORTANTES A PROPOS DE PROPANE (LP)

Une bouteille de gaz autonome pour l'usage avec cet appareil doit avoir une capacité de 20 lbs. Et doit être équipé d'un connecteur de Type 1 et un OPD (appareil de protection surrempli). Voir Figure 1.

La bouteille de gaz LP à utiliser doit être construit et marqué en conformité avec la spécification pour les bouteilles de gaz LP de Département de Transport des E.U.A (DOT) ou la Norme Nationale de Canada, *CAN/CSA-B339, Bouteille, Sphère et Tubes pour le Transport des Biens Dangereux.*

- Le système d'alimentation de bouteille doit être arrange pour l'enlèvement de vapeur.
- La bouteille utilisée doit inclure un col pour protéger la vanne de bouteille.
- Cet appareil doit être utilisé seulement à l'extérieur dans un espace bien ventilé et ne doit pas être utilisé dans un bâtiment, garage ou tout autre espace enfermé.
- Lorsque cet appareil n'est pas en usage, le gaz doit être éteint à la bouteille de fourniture.
- Le stockage de cet appareil à l'intérieur est permis seulement si la bouteille est déconnecté et enlevée de l'appareil.

AVERTISSEMENT Les bouteilles doivent être stockées à l'extérieur dans une zone bien ventilée hors portées des enfants. Les bouteilles déconnectées doivent avoir des prises de vanne enfilées fermement installées et ne doit pas être stockées dans un bâtiment, garage, toutes autres zones enfermées. Le stockage des cylindres à l'intérieur ou dans des espaces mal ventilés à l'extérieur peut entraîner des blessures graves et / ou la mort

CSA (Canadian Standards Association) certifié à ANSI Z21.97•CSA 2.41-2016
 "Appareils de Gaz Décoration Externe".

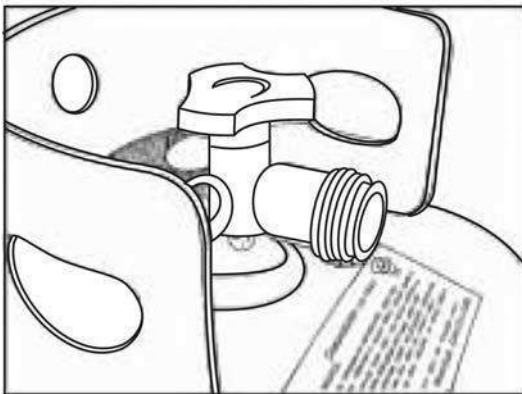
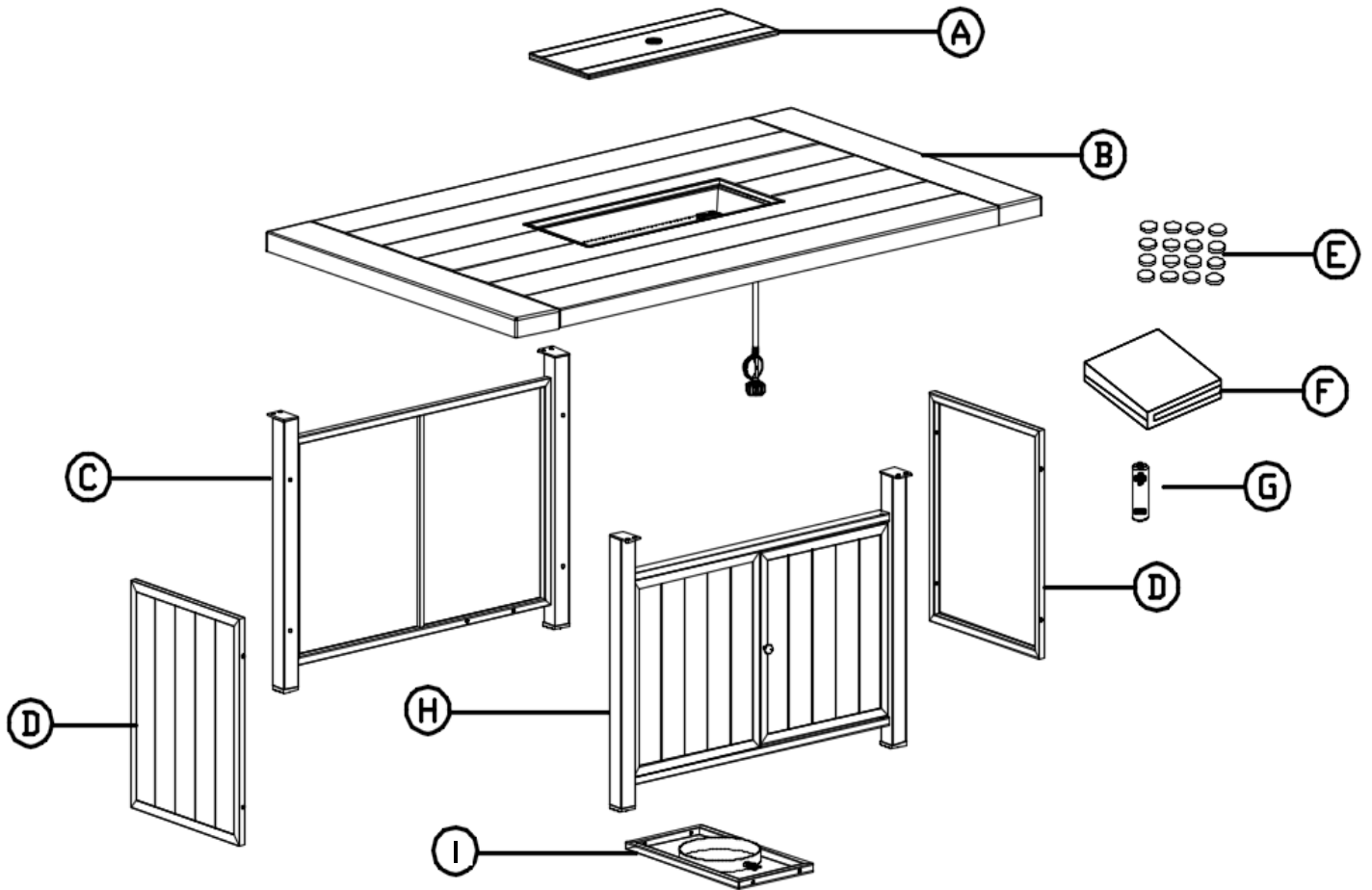


Figure 1

SPECIFICATIONS

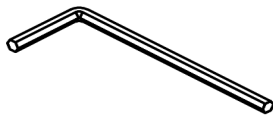
ENTREE	30,000 Btu/hr	
Pression de Régulateur de Propane	11 pouces colonne d'eau	
Pression d'Admission Minimale de Gaz Naturel	7 pouces colonne d'eau	
Déblaiement aux surfaces combustibles	Côtés: 48in./121.9cm	Haut: 72 in. / 182.9 cm

LISTE D'IDENTIFICATION DES PIECES



Objet	Description	Qté
A	Couvercle	1PC
B	Tableau de Table	1PC
C	Cadre Arrière	1PC
D	Cadre Droit	2PC
E	Fibre de Verre (Poids: 7kg)	1BOX
F	Couverture PVC	1PC
G	Pile (AAA)	1PC
H	Cadre de Porte	1PC
I	Support du Réservoir	1PCS

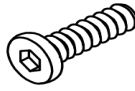
LISTA DE HARDWARE



N



O



P



R



S

Objet	Description	Qté
N	4mm Clé Allen	1PC
O	1/4" * 20 Boulon	8 PCS
P	1/4" * 35 Boulon	12 PCS
R	Ø6.5*Ø12 Rondelle Plate	20 PCS
S	1/4" Rondelle de Blocage	20 PCS

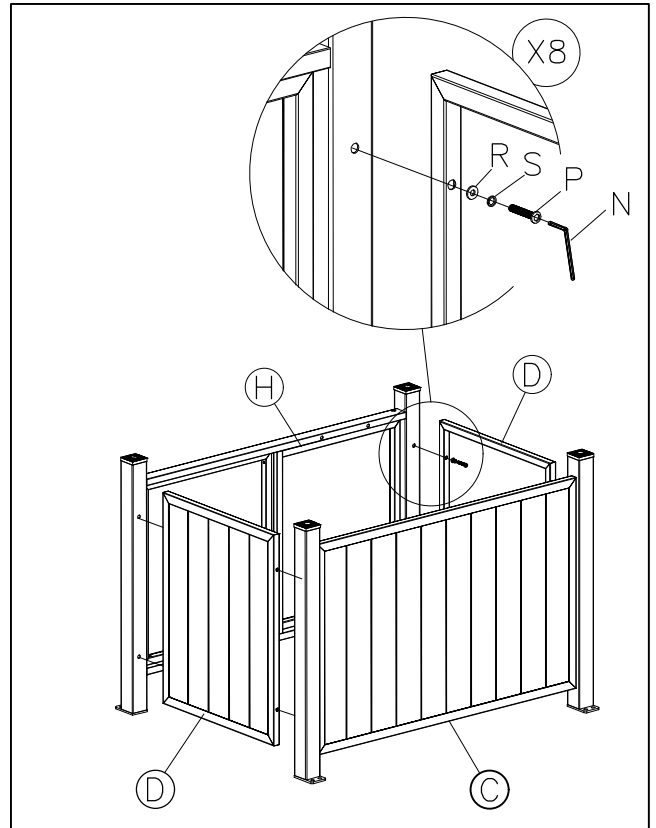
Avant de commencer le montage de ce produit s'assurer que toutes les pièces soient présentes. Comparer les pièces avec la liste de contenu d'emballage et la liste de contenu de matériel. Si toute pièce apparaît à être perdue, ou endommagée ne commencer pas le montage de ce produit et appeler immédiatement le service clientèle.

Temps de montage estimé: 30 minutes

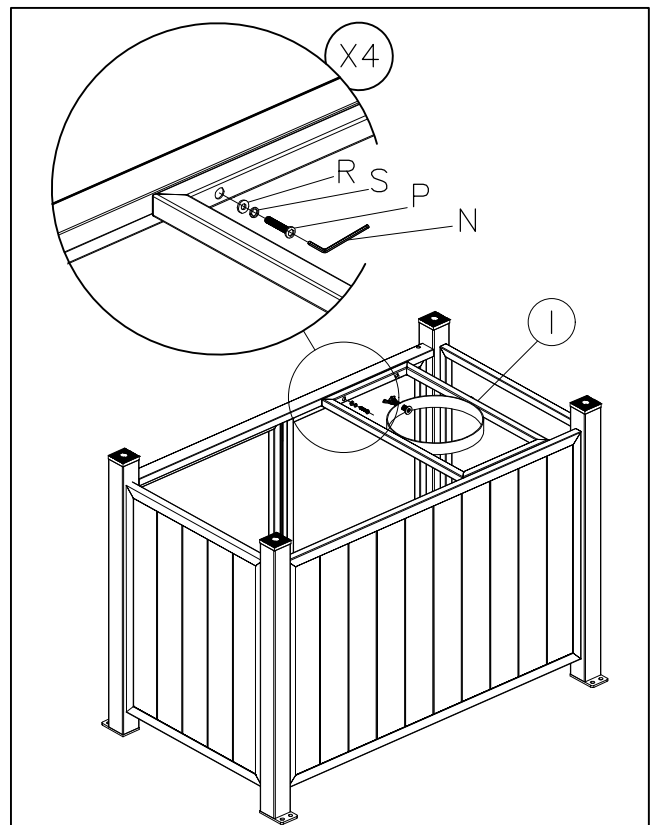
Outils exigés pour le montage (inclut): Clé Allen (N)

INSTALLATION

1. Fixez les cadres latéraux (D), le cadre arrière (C), le cadre de porte (H) ensemble en utilisant 8 pièces de boulon 1/4"*35mm (P), 8 pièces de rondelle de blocage 1/4" (S) et 8 pièces de rondelles plates (R) de $\phi 6,5 * \phi 12$ mm par une clé Allen de 4mm (N).

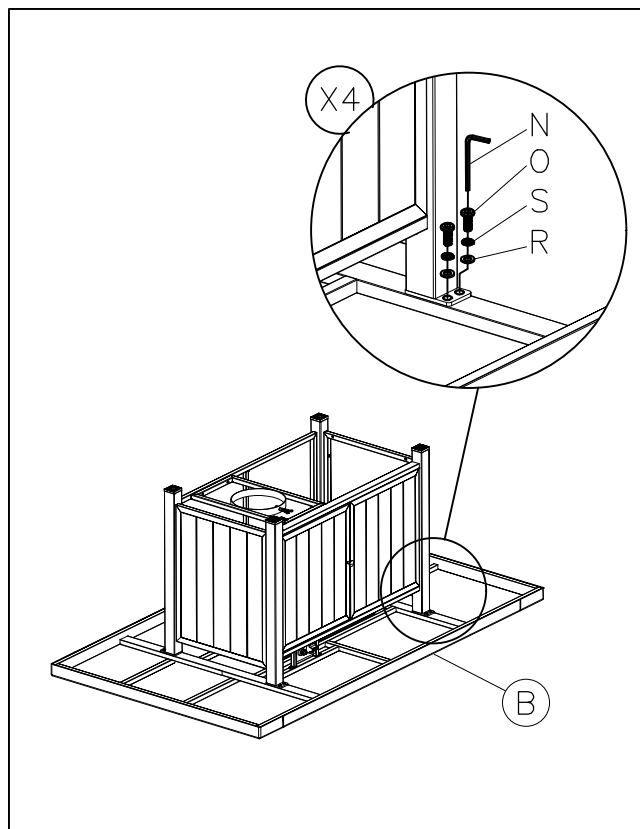


2. Fixez le support de réservoir (I) à l'appareil à l'aide de 4 boulons 1/4"*35 mm (P), 4 rondelles de blocage (S) et 4 rondelles plates (R) de $\phi 6,5 * \phi 12$ mm par une clé Allen de 4 mm (N).

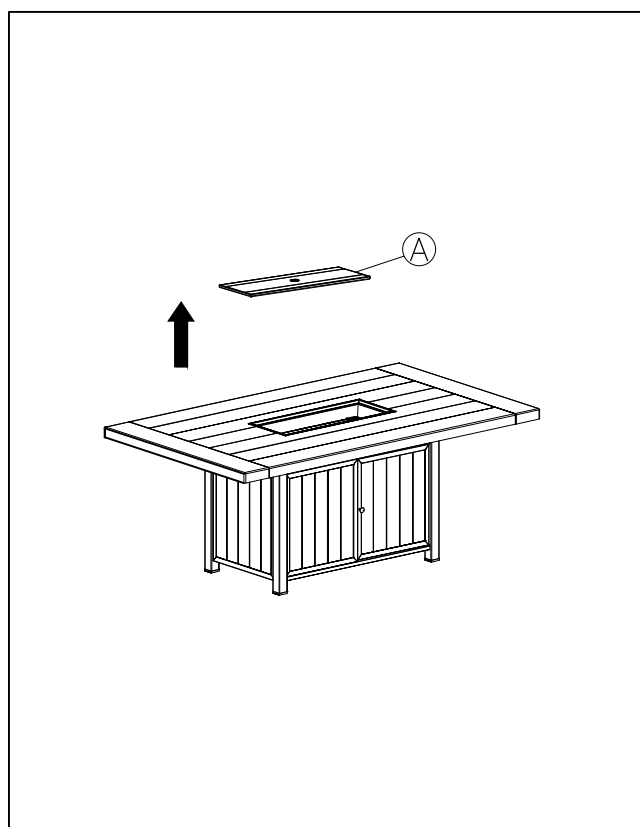


INSTALLATION

3. Fixez l'unité au-dessus de table (B) à l'aide de 8 pièces de boulon 1/4"*20 mm (O), 8 pièces de rondelle(S) de blocage 1/4" et 8 pièces de rondelle plate(R) de $\phi 6,5 * \phi 12$ mm par une clé Allen de 4 mm (N).



4. Retirez le couvercle (A) du bol à feu.

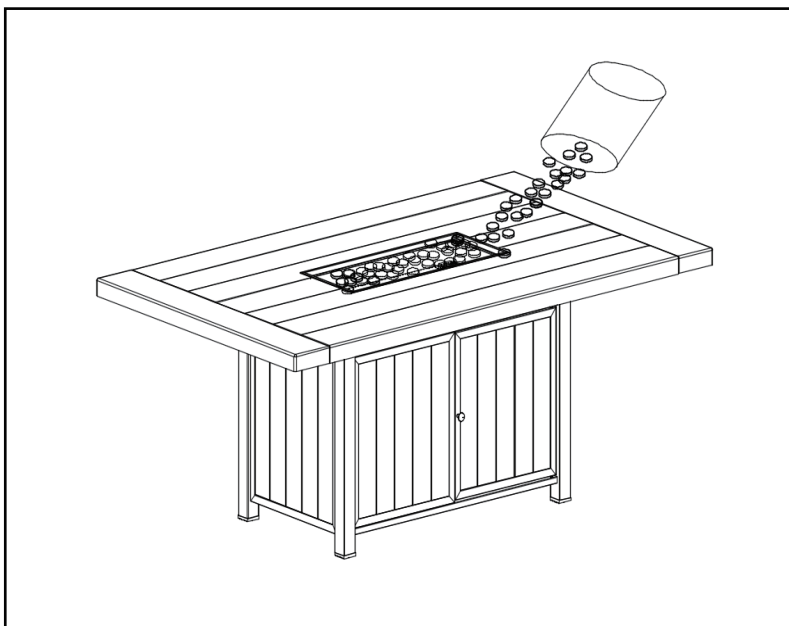


INSTALLATION

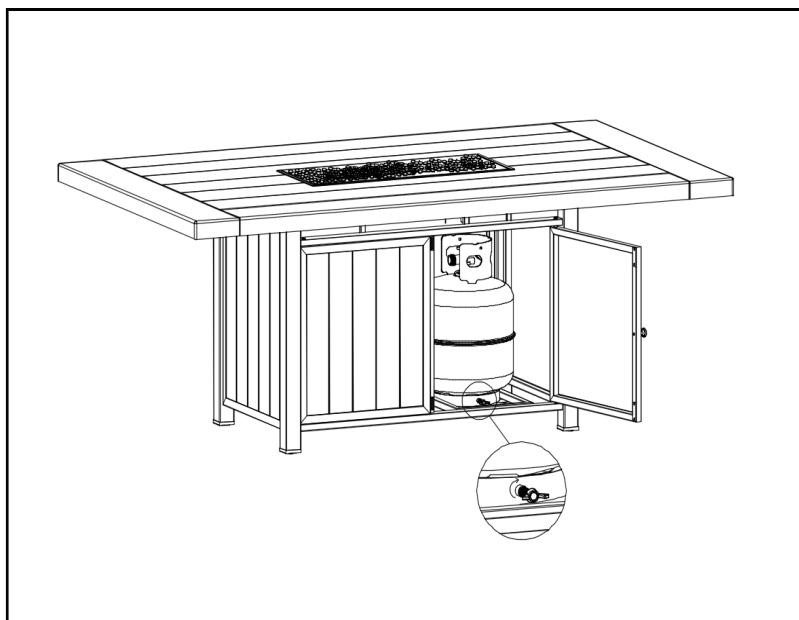
5. Versez la fibre de verre dans la vasque de feu.

DANGER

Pour assurer un fonctionnement normal, la protection sur ce brûleur ne doit pas être couverte de fibre de verre.

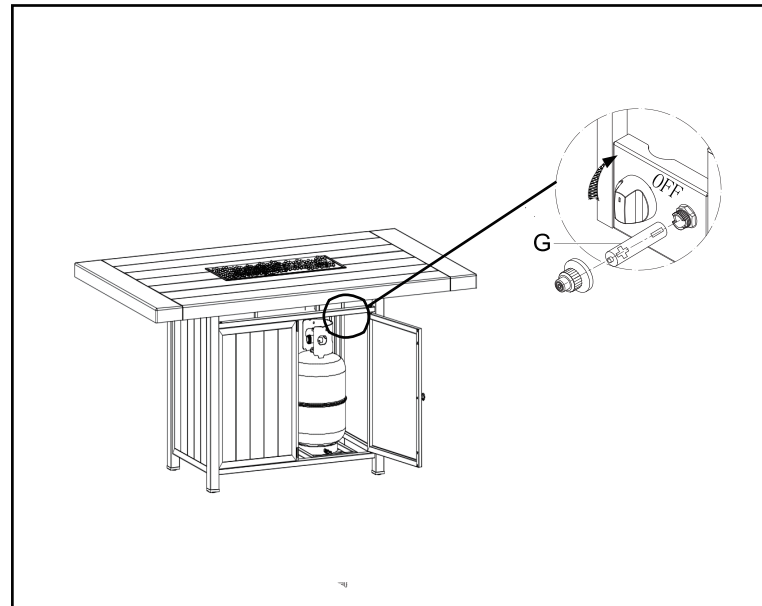


6. Placez le cylindre 20 livres dans l'unité et serrez-le comme montré sur le côté droit.

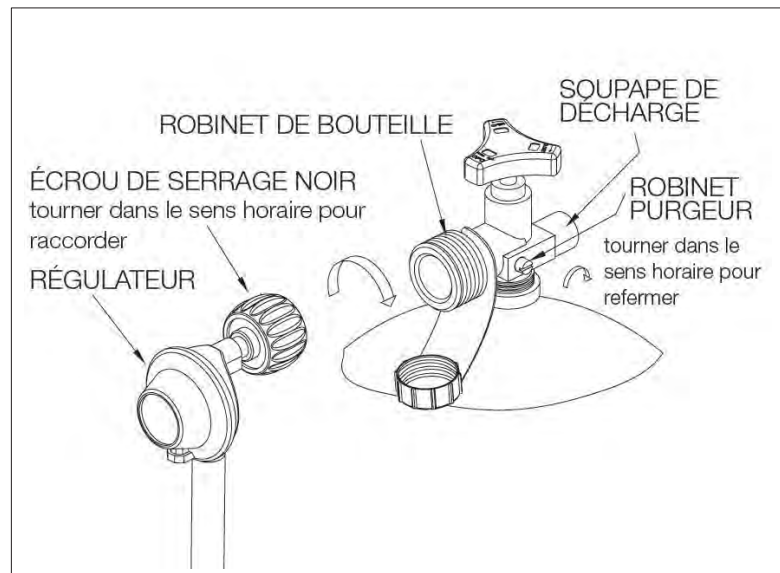


INSTALLATION

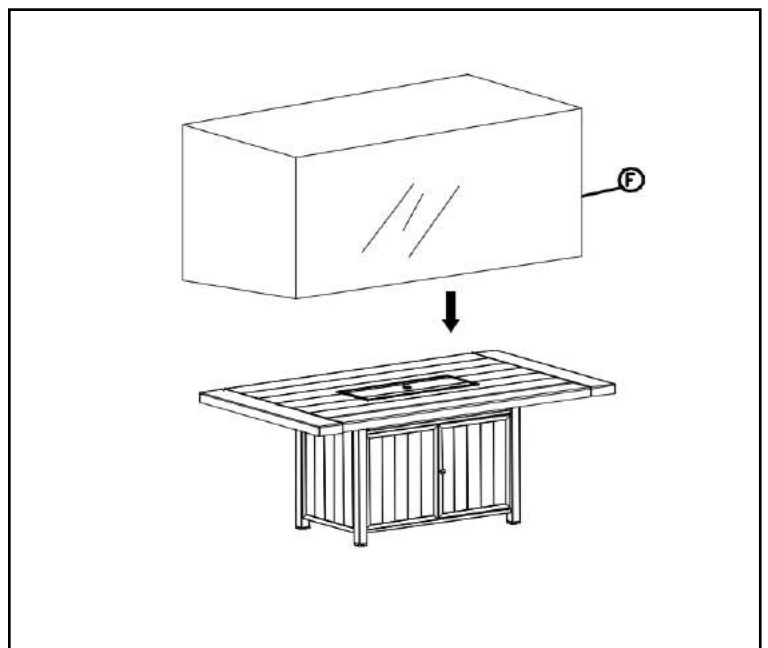
7 . Assurez-vous que le bouton de commande soit sur la position "ARRÊT". Dévissez le capuchon du bouton poussoir sur le module d'allumage situé sur le panneau de contrôle pour accéder au compartiment à pile (G). Le module d'allumage requiert une pile de type AAA (G).



8. Faites tourner la valve cylindre sur le réservoir dans le sens des aiguilles d'une montre pour fermer le réservoir à propane. Attachez le régulateur préassemblé à la valve cylindre en tournant l'écrou de couplage dans le sens des aiguilles d'une montre. Assurez-vous qu'il soit bien attaché de façon sûre et serrez les connexions à la main seulement. Ouvrez la valve du réservoir. Appliquez une solution d'eau savonneuse aux connexions du régulateur du réservoir et à la connexion du tuyau de la valve pour vérifier qu'il n'y ait de fuite. Si des bulles de savon continuent de se former, la connexion a une fuite. En cas de fuite, fermez la valve du réservoir et serrez toutes les connexions. Ne JAMAIS UTILISER DE FLAMME POUR RECHERCHER DES FUITES.



9. Couvrez le foyer avec le couvercle en PVC (F) lorsqu'il n'est pas utilisé pour protéger l'appareil des éléments. Le foyer doit être **COMPLETEMENT** refroidi après utilisation avant d'être recouvert.



Cette unité peut être convertie pour fonctionner au gaz naturel. Si vous souhaitez convertir t cette unité, veuillez contacter votre représentant Ashley et commandez le **PA30-1** (vendu séparément).



CONVERSION AU GAZ NATUREL



La conversion au gaz naturel ne peut être effectuée que par votre fournisseur de gaz naturel ou entreprise de services. Tenter d'effectuer vous-même la conversion au gaz naturel n'est pas sûr et peut résulter en dégâts de biens, de sérieuses blessures corporelles ou la mort.



IMPORTANT

CONSERVEZ CES INSTRUCTIONS



DANGER

Si vous sentez du gaz:

1. Fermez le gaz o_ sur l'appareil.
2. Éteignez toute flamme nue.
3. Si l'odeur persiste, restez éloigné de l'appareil et appelez immédiatement votre fournisseur de gaz ou les pompiers.



MISE EN GARDE

Si les informations de ce manuel ne sont pas suivies à la lettre, un feu ou une explosion pourraient en résulter causant des dommages aux biens, blessures corporelles ou perte de la vie. Une mauvaise installation, un mauvais réglage, une altération, le service ou l'entretien peuvent causer des blessures ou dommages aux biens. Lisez attentivement les instructions d'installation, d'utilisation et d'entretien avant d'installer ou de vous servir de cet équipement.



Avant de mettre en marche le gaz et essayer d'allumer l'appareil, s'assurer que l'appareil soit à l'extérieur, dans une zone bien ventilée et hors débris et n'est pas en contact avec ou toute autre personne, animaux, matériaux ou structures. Faute de respecter l'instruction ci-dessus pourrait causer le dommage de bien, de blessure grave corporelle ou la mort.



INSTRUCTIONS D'ALLUMAGE

Pour Allumer

1. Lire des instructions avant l'allumage.
2. Le bouton de commande doit être à la position 'OFF'. Retirez le couvercle du foyer.
3. Connecter la bouteille de propane(Voir Manuel), ouvrir la vanne de la bouteille.
4. Pousser et mettre le bouton de commande en sens inverse des aiguilles d'une montre à 'BAS'.
5. Appuyer répétitivement sur le bouton allumeur pour allumer le brûleur.
6. Relâcher le bouton de commande après 45 secondes.
7. Si l'allumage n'a pas lieu dans 45 secondes, pousser et mettre le bouton de commande de brûleur à 'OFF', attendre 5 minutes, ventiler avec le journal ou magazine, et répéter la procédure d'allumage.
8. Si l'allumeur n'allume pas le brûleur, utiliser une longue marche ou un long allumeur de butane.
9. Après que le brûleur s'allume, régler la flamme à celle désirée avec le bouton de commande.

Pour Eteindre

1. Tourner et pousser le bouton de commande en sens des aiguilles d'une montre à la position OFF.
2. Fermer la vanne de la bouteille, déconnecter la bouteille de propane.
3. Laissez l'appareil refroidir complètement avant de le couvrir.

MAINTENANCE

- Avant de faire toute maintenance déconnecter toujours le réservoir de gaz de propane.
- Garder l'article chauffant libre et loin des matériaux combustibles.
- Inspecter visuellement le brûleur pour les obstructions et garder l'enceinte de réservoir libre et loin des débris.
- Utiliser une brosse douce pour enlever des taches légères, des salissures non adhérents et de sol après que le brûleur soit complètement refroidi. Essuyer avec un chiffon doux.
- Les conditions de climat difficiles pourraient causer des taches dures, de décoloration, et possiblement piqûre de rouille.
- Le dommage permanent pourrait avoir lieu si le poudre ou le solvant entre en contact avec les composants peints ou plastiques sur l'appareil chauffant.
- Garder l'appareil chauffant loin des lumières solaires directes.
- En cas de stocker à l'intérieur, déconnecter le réservoir de gaz de propane de la valve de gaz.
- L'utilisation des pièces/accessoires non approuvés par le fabricant pourrait causer une condition défective et annuler la garantie de cet appareil chauffant.

GUIDE DE DEPANNAGE

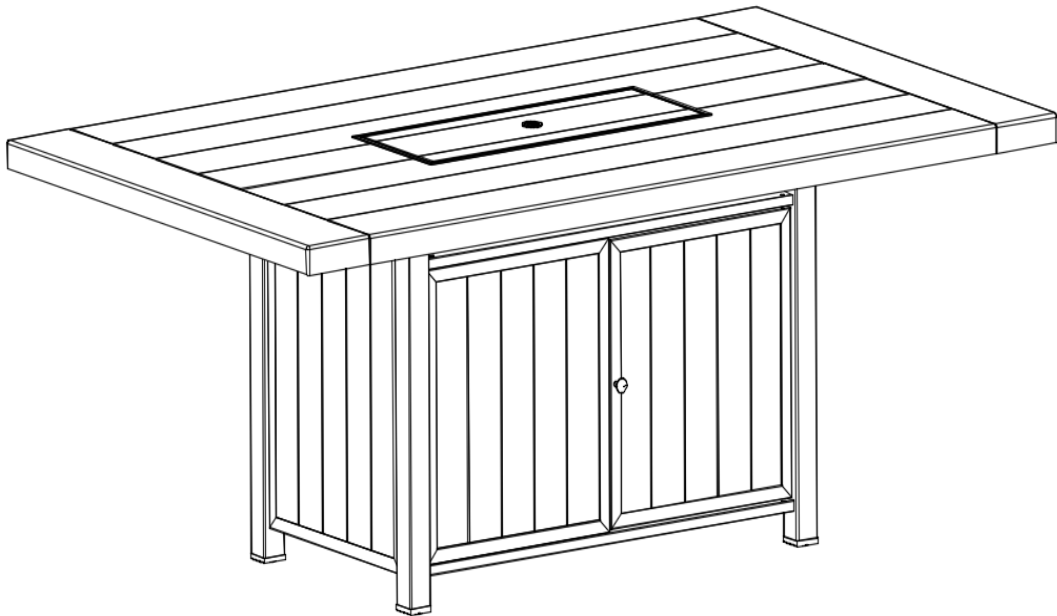
Il est recommandé que vous contactiez un technicien de service qualifié si vous pensez que l'appareil ne fonctionne pas correctement.

PROBLEME	CAUSE	REMEDIE
Le brûleur n'allume pas	Aucun Gaz de Propane au Brûleur	Check that gas tank valve is open. Turn control knob to "ON" and push control knob in. Make sure tank has propane gas.
	Aucune Etincelle à l'Electrode	Vérifier que la batterie AAA soit installée avec le bout négative (-) et ait une charge. Vérifier que le câble soit connecté au module d'allumage. Vérifier que l'électrode n'est pas fissuré ou cassé.
	Lack of oxygen	Enlever les pierres de lava excessives ou la glace de feu d'autour d'allumage
Le brûleur ne reste pas allumé après l'allumage	Le thermocouple n'est pas en flamme	Vérifier que la pointe de thermocouple est nivelée avec le haut d'allumage. Enlever toute pierre de lava d'allumage.
	La connexion de thermocouple à la valve principale est desserrée	Serrer l'écrou de thermocouple au dos de la valve
	Aucune Pierre de Lava sur le Brûleur	Couvrir le brûleur avec les glaces de feu selon les instructions



Manual del usuario de fogata cuadrada exterior

ÍTEM#: P318-773



GUARDA ESTAS INSTRUCCIONES

El producto ha sido probado y certificado de CSA.

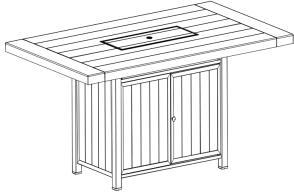
THIS PRODUCT WAS MANUFACTURED BY FOSHAN DIHUI TECHNOLOGY INDUSTRIAL CO.,LTD FOR ASHLEY FURNITURE INDUSTRIES, INC.



PARTE DE ESTE DOCUMENTO PUEDE RESULTAR EN DAÑOS A LA PROPIEDAD, LESIONES CORPORALES GRAVES O LA MUERTE



INSTRUCCIONES DE MONTAJE



CSA MODELO p318-773-E

Instalador: dejar estas instrucciones con el consumidor.

Consumidor: siga estas instrucciones para referencia futura.



INFORMACIÓN DE SEGURIDAD

Para uso con 20 libras (9 kg) cilindro de propano con tipo 1 conexión o para uso con gas natural después de la conversión kit es instalado (debe ser instalado profesionalmente) también el LP regulador debe ser suministrada por el fabricante.



PELIGRO

DANGER indicates an imminently hazardous situation which. If not avoided. Will result in death or serious injury.



ADVERTENCIA

No almacene o use gasolina u otros vapores y líquidos inflamables cerca de este o cualquier otro aparato. Un LP cilindro no conectado para su uso no será almacenada en las inmediaciones de este o cualquier otro aparato.



PELIGRO

El incumplimiento de las precauciones e instrucciones proporcionadas con este pozo de fuego puede resultar en muerte, lesiones corporales graves y pérdida de propiedad o daño por riesgos de incendio, explosión, quemadura, asfixia y / o envenenamiento por monóxido de carbono. Solamente las personas que puedan entender y seguir las instrucciones deben usar o dar servicio a esta fogata.



ADVERTENCIA

UTILICE SÓLO PIEZAS DE REPUESTO APROBADAS Y ACCESORIOS DE FÁBRICA. EL USO DE PARTE O ACCESORIOS NO APROBADOS PUEDE ANULAR LA GARANTÍA DE ESTE PRODUCTO Y RESULTAR EN UNA CONDICIÓN AHAZARO. POR FAVOR PÓNGASE EN CONTACTO CON NOSOTROS PARA INFORMACIÓN SOBRE REEMPLAZAMIENTO DE MANGUERAS, TERMOPARIOS, ELECTRODOS, MÓDULOS DE ENCENDIDO, LAVAROCKS, LOGS, FIRE ICE, ETC.



PELIGRO

PARA SU SEGURIDAD - si huele a gas;

1. Apague el gas del aparato.
2. Extinguir cualquier llama abierta.
3. Si el olor continúa. Manténgase alejado del aparato e inmediatamente llame al proveedor de gas o a los bomberos.



INFORMACIÓN DE SEGURIDAD



PELIGRO

PELIGRO DE EXPLOSION-INCENDIO

Mantenga los combustibles sólidos, tales como materiales de construcción, papel de cartón, a una distancia segura de la hoguera como se recomienda en las instrucciones.

Proporcione holguras adecuadas alrededor de las aberturas de aire en la cámara de combustión.

Nunca utilice el pozo de fuego en espacios que contengan o puedan contener combustibles volátiles o en el aire, o productos como gasolina, disolventes, diluyentes de pintura, partículas de polvo o sustancias químicas desconocidas.

Durante el funcionamiento, este producto puede ser una fuente de ignición. Mantenga el área del pozo de fuego libre y libre de materiales combustibles, gasolina, diluyente de pintura, disolventes de limpieza y otros vapores y líquidos inflamables. NO use pozo de fuego en áreas con alto contenido de polvo.

Espacios mínimos de fosas de fuego de materiales combustibles: dos (2) pies de los lados y dos (2) pies de la parte trasera, 6 pies del techo.



PELIGRO

EXPLOSION - RIESGO DE INCENDIO

Nunca guarde propano cerca de calor alto, llamas abiertas, pilotos, luz solar directa, otras fuentes de ignición o donde las temperaturas excedan los 120 ° F (49 ° C). Los vapores de propano son más pesados que el aire y pueden acumularse en lugares bajos. Si huele a gas, deje el área inmediatamente.

Nunca instale o retire el cilindro de propano mientras el pozo de incendio esté encendido, cerca de llamas, luces piloto, otras fuentes de ignición o cuando la hoguera esté caliente al tacto.

El pozo de fuego está caliente durante el uso y puede encender inflamables demasiado cerca del quemador.

Mantenga los materiales inflamables por lo menos a 2 pies de los lados ya 2 pies de la parte trasera, 6 pies

Del techo. Mantenga la gasolina y otros líquidos y vapores inflamables lejos de la hoguera. Si el pozo de fuego se debe almacenar en el interior, desconecte el cilindro de propano para el almacenamiento al aire libre y permitir que el pozo de fuego se enfríe completamente antes de moverse en el interior.



ADVERTENCIA

No podemos prever que todos los usos pueden ser hechos de nuestro pozo de fuego.

Consulte con su autoridad local de seguridad si tiene preguntas sobre el uso de fogatas

Otras normas regulan el uso de gases combustibles y productos productores de calor para usos específicos. Sus autoridades locales pueden aconsejarle sobre estos

Si no existen códigos locales, siga el código nacional de combustible, ANSI Z223.1 en Canadá, la instalación debe cumplir con los códigos locales. Si no existen códigos locales, siga el estándar nacional actual de CANADA CAN / CGA-B 149.2.



PELIGRO

PELIGRO DE MONOXIDO DE CARBONO

Este pozo de fuego es un aparato de combustión.

Todos los aparatos de combustión producen monóxido de carbono (CO) durante el proceso de combustión. Este producto está diseñado para producir cantidades extremadamente pequeñas y no peligrosas de CO si se usa y se mantiene de acuerdo con todas las advertencias e instrucciones. NO bloquee el flujo de aire dentro o fuera de la hoguera. El envenenamiento por monóxido de carbono (CO) produce síntomas similares a los de la gripe, ojos llorosos, dolores de cabeza, mareos, fatiga y posiblemente muerte. No puedes verlo y no puedes huelelo. Es un asesino invisible. Si estos síntomas están presentes durante la operación de este producto consiga el aire fresco inmediatamente! Sólo para uso en exteriores.

Nunca utilice el interior de la casa u otras áreas no ventiladas o cerradas.

Este pozo de fuego consume aire (oxígeno). No lo use en áreas no ventiladas o cerradas para evitar poner en peligro su vida.



ADVERTENCIA

WARNING indicates an imminently hazardous situation which, if not avoided, will result in death or serious injury.



ADVERTENCIA

Do not store or use gasoline or other flammable vapors and liquids in the vicinity of this or any other appliance. An LP-cylinder not connected for use shall not be stored in the vicinity of this or any other appliance.



ADVERTENCIA: Sólo para uso en exteriores y



PELIGRO



PELIGRO DE MONOXIDO DE CARBONO

Este aparato puede producir monóxido de carbono que

Sin olor Usarlo en un espacio cerrado puede matarlo. Nunca utilice este aparato en un espacio cerrado, como un campista, una tienda, un automóvil o un hogar.



ADVERTENCIA

La instalación incorrecta, alteración del ajuste, servicio o mantenimiento pueden causar daños a la propiedad, lesiones o la muerte. Lea atentamente las instrucciones de instalación, operación y mantenimiento antes de instalar o reparar este equipo.

TABLA DE CONTENIDO

1. Información de Seguridad Importante	37
2. Información sobre el Propano	39
3. Especificaciones	40
4. Lista de piezas	41
5. Lista de hardware	42
6. Instalación	43
7. Conversión a gas natural	47
8. Instrucciones de iluminación	48
9. Mantenimiento	49
10. Guía de solución de problemas	49



INFORMACIÓN DE SEGURIDAD IMPORTANTE



La instalación debe cumplir con los códigos locales o, en ausencia de códigos locales de todos los códigos locales aplicables, incluyendo, sin limitación, con el Código Nacional de gas combustible, ANSI Z223.1/NFPA 54; Código Internacional de gas combustible.; Código de instalación de gas natural y propano CSA B149.1.; o propano, almacenamiento y manejo de código, B149.2, según proceda.

El artefacto y su válvula de gas principal debe ser desconectada del sistema de tuberías de suministro de gas durante la prueba de presión del sistema en presiones de ensayo en exceso de 1 / 2 psi (3.5kpa).

El aparato debe estar aislado del sistema de tuberías de suministro de gas mediante el cierre de su equipo, válvula de cierre durante la prueba de presión del sistema de suministro de gas a la presión de prueba inferior o igual a 1 / 2 psi (3.5kpa). El aparato debe mantenerse limpia y libre de materiales combustibles, gasolina y otros líquidos y vapores inflamables.

No use este aparato si alguna parte ha sido dañado o bajo el agua. Inmediatamente llame a un técnico de servicio cualificado para inspeccionar. Inmediatamente llame a un técnico de servicio cualificado para inspeccionar la aplicación GNO y reemplazar cualquier parte del sistema de control y control del gas que ha sido dañado o bajo el agua.

ADVERTENCIA No sentarse o pararse sobre el aparato, incluso cuando no esta en uso y no toque el aparato mientras en uso o por lo menos 45 minutos después de su uso, el aparato es muy caliente durante Uso y puede causar quemaduras graves.

ADVERTENCIA El aparato permanecerá caliente para hasta 45 minutos después de su uso. No tocar o mover el aparato durante al menos 45 minutos después de que haya sido completamente apagado.

ADVERTENCIA Los niños y los adultos deben ser alertados sobre los peligros de las elevadas temperaturas de la superficie y se mantiene a una distancia segura para evitar quemaduras o ropa de encendido.

ADVERTENCIA Todos los niños deben mantenerse lejos del aparato y no debe ser permitido cerca del producto a menos que cuidadosamente supervisados por un adulto.

ADVERTENCIA Ropa, cualquier otro objeto o material inflamable no debería estar colgado del aparato, colocado, cerca o debajo del aparato

ADVERTENCIA Cualquier pantalla o guardia eliminado para el servicio de un aparato debe ser reemplazado antes de operar el aparato.

ADVERTENCIA Mantenga a los niños lejos de este aparato. Este aparato contiene piezas pequeñas que pueden ser ingeridas por los niños, resultando en lesiones corporales graves o la muerte.

ADVERTENCIA Instalación y reparación debe ser realizado por un servicio calificado. El aparato debe ser inspeccionados antes de su utilización, y por lo menos anualmente por un servicio profesional. Una limpieza más frecuente puede ser Requiere como necesario. Es imperativo que el control compartimentos, quemadores y aire circulante pasadizos del aparato se mantiene limpio.

No quemar combustibles sólidos en esta chimenea de gas.

No encender el quemador antes de verter todo el quemador media (roca de lava o Fuego hielo) en el quemador. Los medios de comunicación deben estar uniformemente distribuida en el quemador.

Si durante la cocción inicial de fogata, por favor aléjate de el pozo de fuego durante 20 minutos como fuego media (roca de lava o Fuego ICE) puede pop y golpear a alguien en la cara o de los ojos

No encender o usar el pozo de fuego si el quemador media (roca de lava o fuego ICE) están mojadas. Garantizar los medios son completamente seca antes de encender el quemador como el calor intenso puede causar a los medios de comunicación a crack y pop .Siempre coloque la tapa sobre el aparato cuando no esta en uso para evitar que el agua en contacto con los medios de comunicación.



INFORMACIÓN DE SEGURIDAD IMPORTANTE



Es seguro usar este producto para cualquier propósito, excepto como se describe en este documento, incluyendo, sin limitación, la cocina.

Precaución: el regulador de presión de gas propano suministrado con este aparato debe ser utilizado. Este regulador está fijado para una presión de salida de 11 pulgadas de columna de agua.

Este aparato de gas al aire libre no está destinado a ser instalado en vehículos de recreo y / o barcos.

Antes de cada uso de este aparato de gas, abra el LP (propano líquido) Tanque cajón y inspeccionar el LP Manguera. Si hay evidencia de desgaste excesivo o desgaste, o la manguera es cortada, debe sustituirse el aparato de gas se ponga en funcionamiento. Usar sólo la sustitución de manguera especificadas en este manual. Inspeccionar el quemador antes de cada uso del aparato. El quemador debe sustituirse que el aparato se ponga en funcionamiento si es evidente que el quemador está dañado

Mantener la manguera de suministro de combustible fuera de las superficies calientes.

Si usted tiene alguna pregunta con respecto a la utilización de esta unidad, o encontrar que tu pozo de fuego unidad necesita servicio, por favor póngase en contacto con Ashley Furniture Industries en el siguiente número.
1 (800) 477-2222 servicio al cliente.

INFORMACIÓN DE SEGURIDAD IMPORTANTE SOBRE GAS PROPANO (LP)



El cilindro de suministro de LP- Gas para uso con este aparato debe tener una capacidad de 20 lbs. Y debe estar equipado con un conector de tipo 1 y una OPD (protección contra sobrellenado dispositivo). Ver Figura 1.

El cilindro de suministro de LP- Gas para ser utilizado debe ser construido y marcados de conformidad con el pliego de condiciones para cilindros de gas LP, el Departamento de transporte (DOT) o el estándar nacional de Canadá, CAN/CSA-B339, cilindro, esfera y tubos para el transporte de mercancías peligrosas.

- Los cilindros deben ser almacenados al aire libre en un lugar bien ventilado, fuera del alcance de los niños. Desconectado cilindros roscados tapones de válvula debe tener bien instalado y no deben ser almacenados en un edificio, Garaje o cualquier otras áreas cerradas.
- El sistema de suministro del cilindro debe estar dispuesto para la extracción de vapor.
- El cilindro del sistema de suministro de vapor debe estar arreglado para la retirada.
- El cilindro utilizado debe incluir un collar para proteger la válvula del cilindro.
- El cilindro debe incluir el collar para proteger la válvula del cilindro.
- Este aparato debe ser usado solamente al aire libre en un lugar bien ventilado y no debe ser usado en un edificio, garaje o cualquier otro espacio cerrado.
- Este aparato sólo puede ser utilizado en un espacio libremente ventilado y no se utiliza en un edificio, garaje o cualquier otro espacio cerrado.
- Cuando no se utiliza este aparato, el gas debe estar apagado en el cilindro de suministro.
- Cuando este aparato no esté en uso, el gas debe estar apagado en el suministro del cilindro.
- El almacenamiento de este electrodoméstico en interiores sólo se permite si el cilindro está desconectado y retirado del aparato.
- El almacenamiento de este aparato en el interior solo es admisible si el cilindro esta desconectado y quitado del aparato.
- Los cilindros deben almacenarse al aire libre en un área bien ventilada fuera del alcance de los niños. Los cilindros desenchufados deben tener tapones de válvula roscados herméticamente instalados y no deben almacenarse en un edificio, garaje o cualquier otra área cerrada.

ADVERTENCIA Los cilindros deben ser almacenados al aire libre en un lugar bien ventilado, fuera del alcance de los niños. Desconectado cilindros roscados tapones de válvula debe estar bien instalado y no debe estar almacenado en un edificio, Garaje o cualquier otra área cerrada. Almacenar los cilindros en interiores o en espacios poco ventilados al aire libre puede ocasionar lesiones corporales graves y / o la muerte
CSA (Asociación Canadiense de Estándares) certificada según ANSI Z21.97 • CSA
2.41-2016 "Aparatos de Gas Decorativos al Aire Libre".

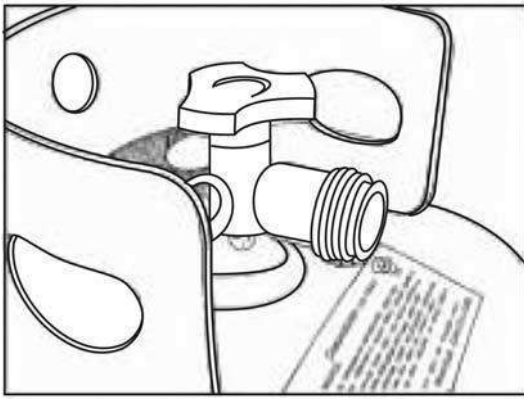
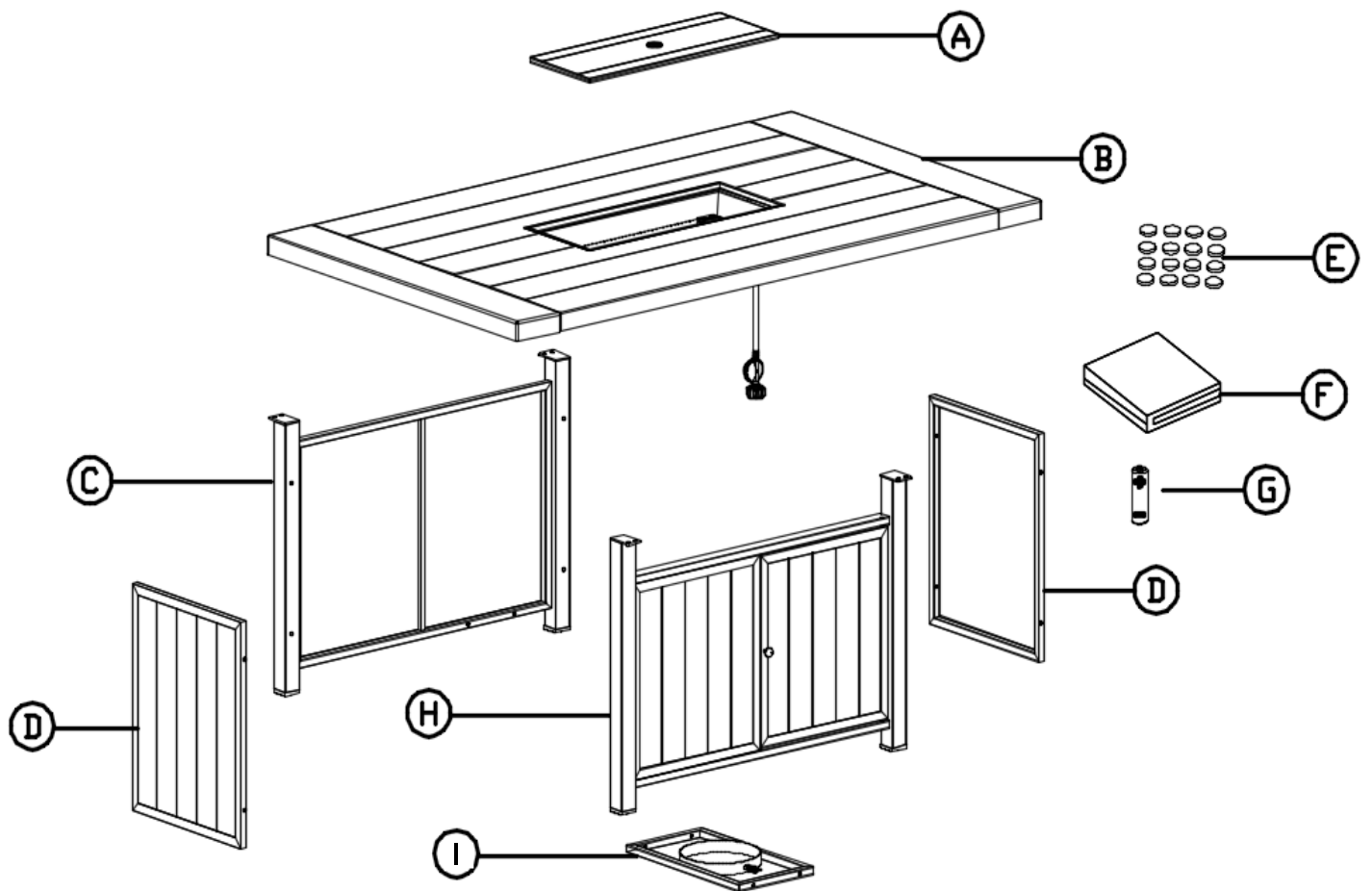


Figure 1

ESPECIFICACIONES

Entrada	30,000 BTU / hr	
Presión del regulador de	11 pulgadas de columna de agua	
Gas Natural Mínimo	7 pulgadas de columna de agua	
Autorizaciones a las superficies	Lados: 48in./121.9cm	Top: 72 in. / 182.9 cm

LISTA DE IDENTIFICACIÓN DE PIEZAS



Artículo	Descripción	Cant
A	Tapa	1PC
B	Tablero superior	1PC
C	Bastidor trasero	1PC
D	Bastidor derecho	2PC
E	Vidrio refractario (Peso: 7kg)	1BOX
F	Cubierta de PVC	1PC
G	Pila(AAA)	1PC
H	Bastidor de la puerta	1PC
I	Soporte del tanque	1PCS

LISTA DE HARDWARE



N



O



P



R



S

Artículo	Descripción	Cant.
N	Llave Allen de 4mm	1PC
O	Tornillo de 1/4" * 20	8PCS
P	Tornillo de 1/4" * 35	12PCS
R	Arandela plana de $\varnothing 6.5 \times \varnothing 12$	20PCS
S	Arandela de seguridad de 1/4"	20 PCS

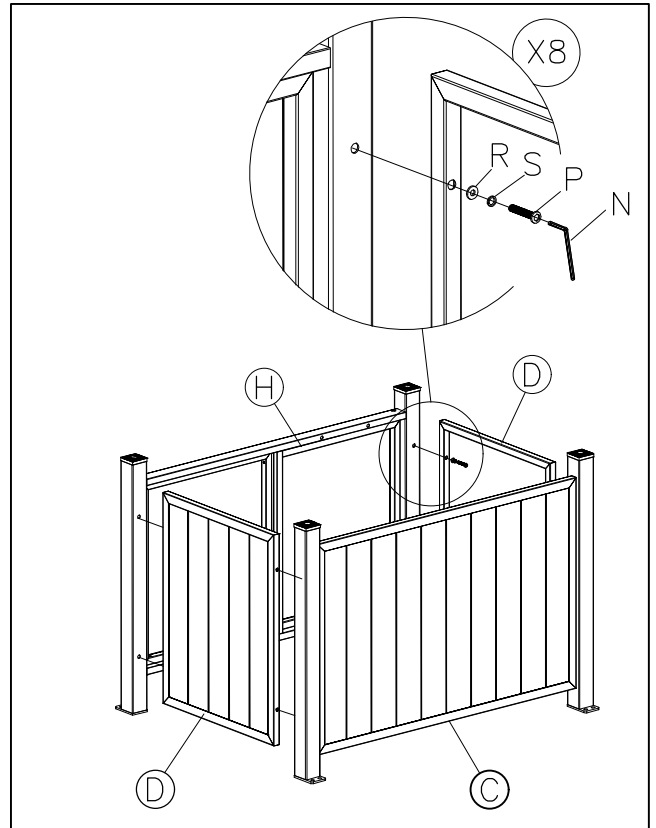
Antes de comenzar el montaje de este producto, asegúrese de que todas las partes están presentes. Comparar partes con contenido del paquete lista y herrajes lista de contenidos. Si cualquier parte parece estar perdido o dañado no empiezan el montaje de este producto y llamar a servicio al cliente de inmediato.

Tiempo de montaje estimado: 30 minutos

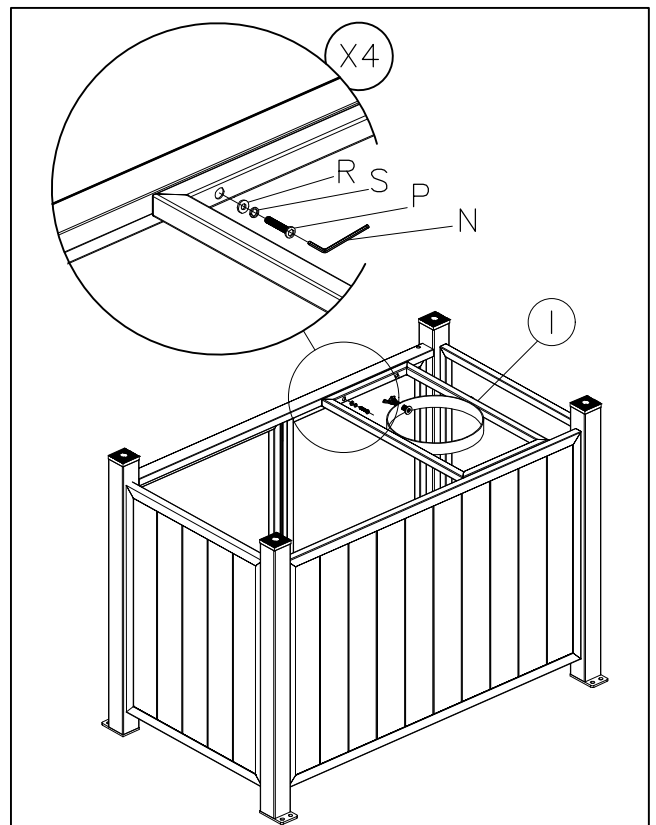
Herramientas necesarias para el montaje (incluido): Llave Allen (N)

INSTALACIÓN

1. Coloque los Marcos Laterales (D), el Marco Trasero (C), el Marco de la Puerta (H), con 8 Tornillos de 1/4"*35mm (P), 8 Arandelas de Seguridad de 1/4" (S), y 8 Arandelas Planas de $\phi 6,5 * \phi 12$ mm (R) usando una Llave Allen de 4mm (N).

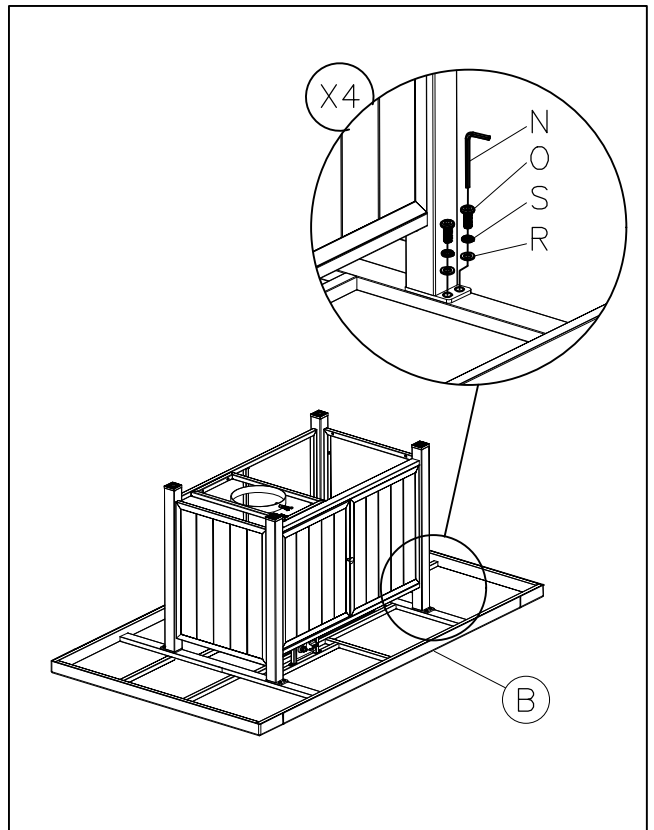


2. Coloque el Sujetador del Tanque (I) en la unidad con 4 Tornillos de 1/4"*35mm (P), 4 Arandelas de Seguridad (S), y 4 Arandelas Planas de $\phi 6,5 * \phi 12$ mm (R), usando una Llave Allen de 4mm (N).

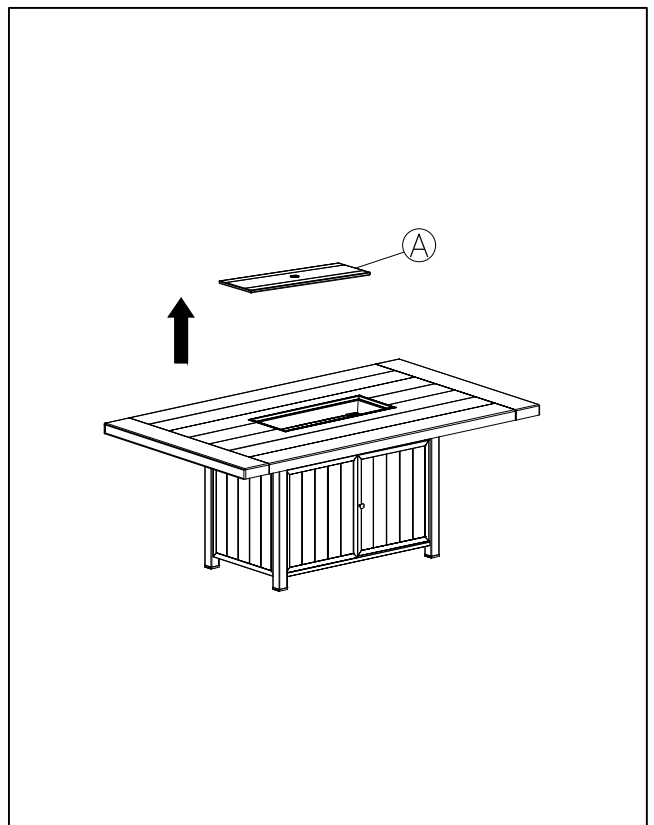


INSTALACIÓN

3. Coloque la unidad a la Parte Superior de la Mesa (B) con 8 Tornillos de 1/4"*20mm (O), 8 Arandelas de Seguridad de 1/4" (S), y 8 Arandelas Planas de $\phi 6,5 * \phi 12\text{mm}$ (R), usando una Llave Allen de 4mm (N).



4. Quitar la Tapa (A) del Brasero.

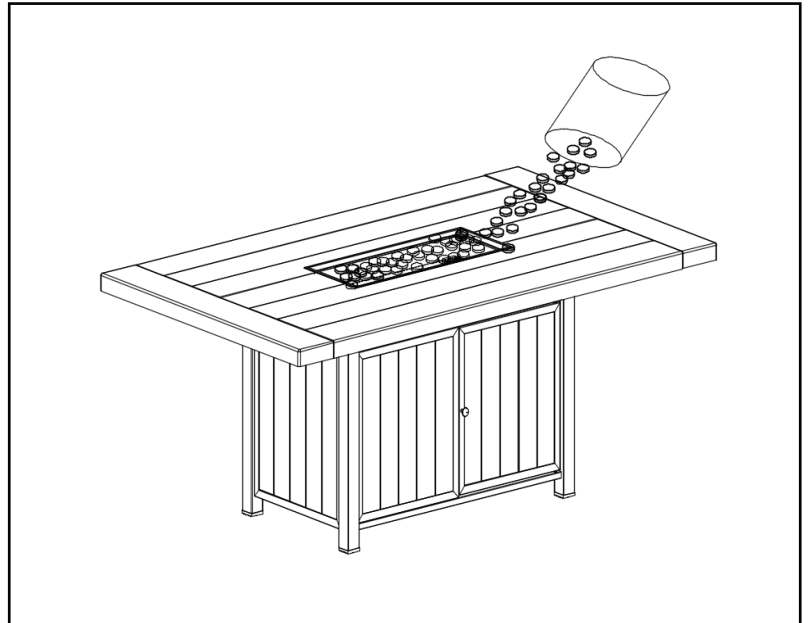


INSTALACIÓN

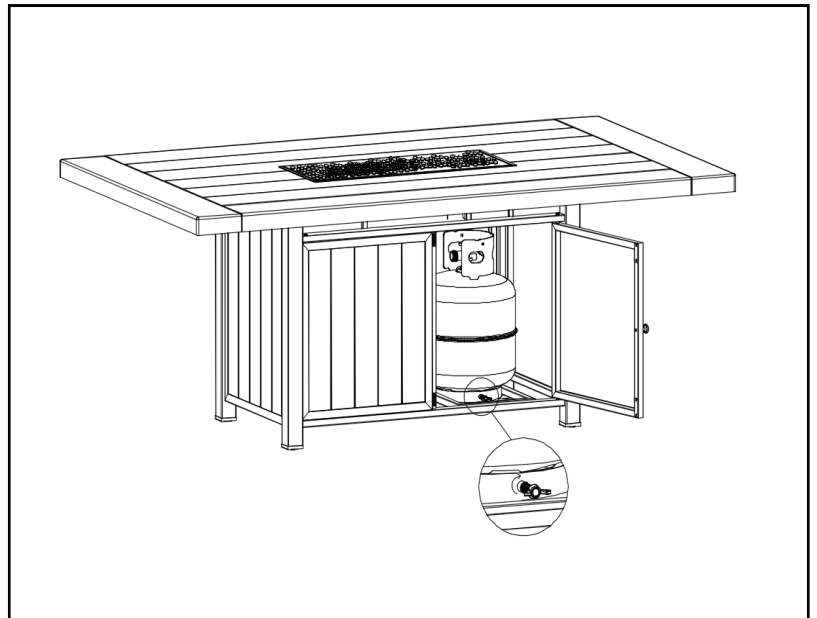
5. Vierta el vidrio refractario en el recipiente para fuego.

PELIGRO

Para garantizar un funcionamiento adecuado, el protector de este quemador no debe cubrirse con vidrio refractario.

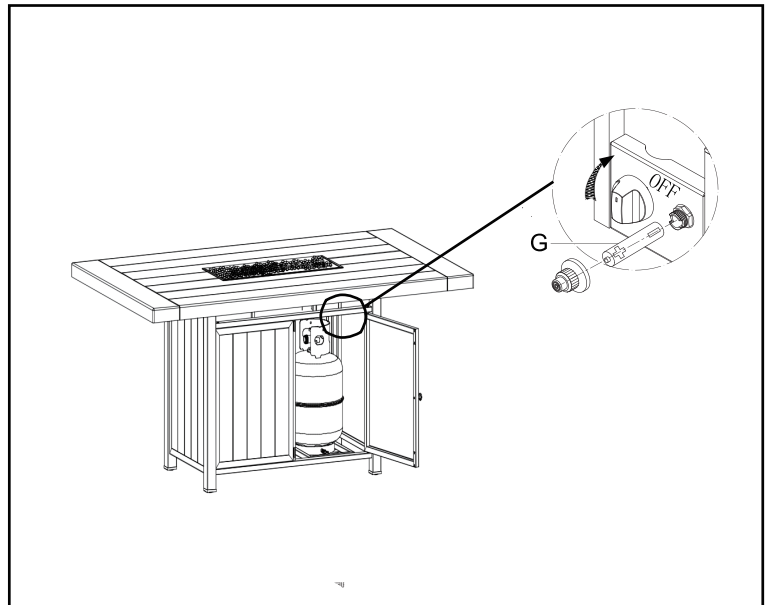


6. Coloque el cilindro de 20 libras en la unidad y apriete como se muestra en el lado derecho.



INSTALACIÓN

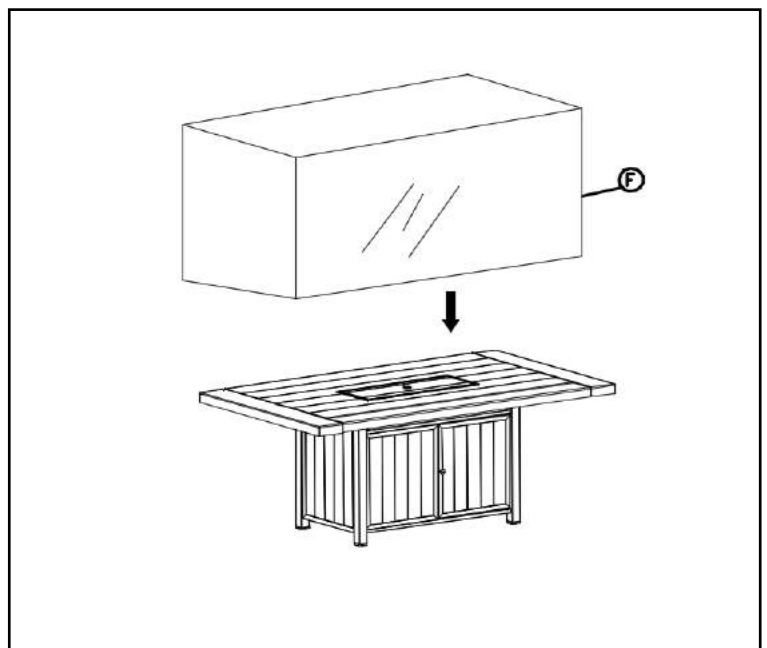
7 . Asegúrese de que la perilla de control está en la posición «OFF». Destornille la tapa del pulsador del módulo de ignición ubicado en el panel de control para acceder al compartimento de la batería (G). El módulo de ignición requiere una pila de tamaño AAA (G).



8 Gire la válvula del cilindro del tanque en sentido horario para cerrar el tanque de propano. Fije el regulador ya montado a la válvula del cilindro girando la tuerca de acoplamiento del regulador en sentido horario. Asegúrese de que está firmemente ajustado y apriete las conexiones con la mano solamente. Abra la válvula del tanque. Aplique una solución de agua jabonosa a la conexión del regulador del tanque y a la conexión de la manguera de la válvula para comprobar que no haya fugas. Si se siguen formando pompas de jabón, quiere decir que hay una fuga. Si se encuentra una fuga, cierre la válvula del tanque y apriete todas las conexiones. **NO UTILICE NUNCA UNA LLAMA PARA COMPROBAR SI HAY FUGAS.**



9. Cubrir el brasero con la cubierta de PVC (F) cuando no se utiliza para proteger la unidad de los elementos. Se debe permitir que el brasero se enfríe **POR COMPLETO** después de su uso antes de cubrirlo.



Esta unidad puede modificarse para funcionar con gas natural. Si desea modificar la unidad, póngase en contacto con un representante de Ashley Furniture y solicite **PA30-1** (se vende por separado).



CONVERSIÓN A GAS NATURAL



La conversión a gas natural debe realizarse solamente por su proveedor de gas natural o compañía de servicio. No es seguro que intente realizar la conversión usted mismo y puede causar daños materiales, graves lesiones corporales o la muerte.



IMPORTANTE

GUARDE ESTAS INSTRUCCIONES



PELIGRO

Si huele a gas:

1. Cierre el suministro de gas al aparato.
2. Apague cualquier llama encendida.
3. Si el olor persiste, manténgase alejado del aparato y llame inmediatamente a su proveedor de gas o a los bomberos.



ADVERTENCIA

Si la información de este manual no se sigue totalmente, se puede provocar un incendio o una explosión, causando daños materiales, graves lesiones corporales o la muerte. Una instalación incorrecta, ajuste, reforma, reparación o mantenimiento pueden provocar lesiones o daños materiales. Lea detalladamente las instrucciones de instalación, funcionamiento y mantenimiento antes de instalar o reparar este equipo.



Antes de encender el aparato e intentar encenderlo, asegúrese de que el aparato esté afuera, en un área bien ventilada y libre de cualquier residuo, y no entre en contacto con personas, animales, materiales o estructuras ni cerca de ellas. El incumplimiento de las instrucciones anteriores puede resultar en daños a la propiedad, lesiones corporales graves o la muerte.



INSTRUCCIONES DE ILUMINACIÓN

A la luz

1. Leer las instrucciones antes de iluminación.
2. Perilla de control debe estar en la posición "OFF". Retire la cubierta del contenedor de fuego.
3. Conectar el cilindro de propano (ver manual), abrir la válvula del cilindro.
4. Empuje y gire la perilla de control en sentido antihorario para "baja".
5. Presione el botón de encendido para encender el quemador en repetidas ocasiones.
6. Suelte el mando de control después de 45 segundos.
7. Si la inflamación no ocurre en 45 segundos, empuje y gire la perilla de control del quemador a "off", espere 5 minutos, ventilador con papel de periódico o revista, y repita el procedimiento de iluminación.
8. Si no la luz encendido quemador, usar un partido largo o largo encendedor de butano.
9. Después de que se encienda el quemador, ajustar la llama que llama deseada con la perilla de control.

A extinguir

1. Girar y empujar la perilla de control de las agujas del reloj a la posición OFF.
2. Cerrar la válvula del cilindro, desconecte el cilindro de gas propano.
3. Deje que la unidad se enfríe antes de cubrirla.

MANTENIMIENTO

- Antes de realizar cualquier mantenimiento siempre desconecte el tanque de gas propano.
- Mantener la calefacción tema libre de materiales combustibles.
- Inspeccione visualmente el quemador en busca de obstrucciones y mantenga el contenedor del tanque libre y limpio de los desechos.
- Use un cepillo suave para deshacerse de la suciedad y manchas leves, luego el quemador es completamente enfriado. Limpie con un paño suave.
- Las duras condiciones climáticas pueden causar manchas difíciles, decoloración y posiblemente picaduras de óxido.
- Daño permanente puede ocurrir si entra en contacto con polvo o disolvente pintado o componentes de plástico en esta unidad de calefacción.
- Mantener la unidad de calefacción almacenados lejos de la luz directa del sol.
- Si el almacenamiento de esta unidad interior, desconecte el tanque de gas propano a partir de la válvula de gas.
- No usar fabricante aprobado o suministrados Piezas / accesorios puede resultar en un estado defectuoso y anular la garantía de esta unidad de calefacción.

GUÍA DE SOLUCIÓN DE PROBLEMAS

Se recomienda que usted contacte a un técnico calificado si usted cree que el aparato no funciona correctamente.

PROBLEMA	CAUSA	REMEDIO
Quemador no enciende	No gas propano en el quemador	Comprobar que la válvula del tanque de gas está abierta. Gire la perilla de control para "a" y empujar la perilla de control. Asegúrese de tanque de gas propano.
	No hay chispa en electrodo	Revisa que la batería AAA es instalado con negativo (-) final primera y tiene un cargo. Compruebe que el cable está conectado al módulo de encendido. Compruebe que el electrodo no es agrietado o roto.
	La falta de oxígeno	Eliminar el exceso de roca de lava o fuego ICES de todo el encendido bien.
Quemador no permanecerá iluminado después de la iluminación	Termopar no está en llamas	Compruebe que la punta del termopar es uniforme con la parte superior del pozo de encendido. Quite cualquier roca de lava del pozo de encendido.
	Conexión de termopar en la válvula de control principal está suelta	Apriete la tuerca de termopar en la parte posterior de la válvula.
	No hay rocas de lava en el quemador	Cubrir el quemador con hielo Instrucciones.