



**200 series dishwasher**  
**DF250740**  
**fully integrated**  
**Appliance height 81.5 cm / 32 1/16 "**  
**Width 17 3/4 " (45 cm)**

**6 programs with aqua sensor and 4 cycle options**  
**Flexible rack system including cutlery drawer for optimal loading**  
**Very quiet: 44 dB**  
**ENERGY STAR® certified**  
**Aqua stop**

#### Operation

Display indicating remaining or end time, refill for salt and rinsing agent, inflow of water.  
 Sanitized indicator in the control panel.  
 Delayed start timer up to 24 hours.  
 Visual and acoustic end of program indicator.  
 Info-Light.

#### Technical features

Glass protection.  
 Aqua sensor.  
 Load sensor.  
 Automatic detergent function.  
 Regeneration electronics.  
 Flow-through water heater.  
 Triple filter system, self-cleaning.  
 Soft lock.  
 Aqua stop.

#### Programs

6 programs:  
 Intensive 151 °F - 160 °F.  
 Auto 127 °F - 151 °F.  
 Eco 113 °F - 122 °F.  
 Regular 122 °F - 131 °F.  
 Quick Wash 126 °F (30 min.).  
 Pre-rinse.  
 4 cycle options:  
 Half Load.  
 Delicate.  
 Sanitize.  
 Extra Shine.

#### Features

Flexible rack system.  
 3rd rack for cutlery.  
 Upper rack:  
 Rackmatic with 3 levels, adjustable in height up to 2".  
 3 folding tines.  
 1 folding rack.  
 Lower rack:  
 4 folding tines.  
 1 folding rack.  
 Glass support.  
 Cutlery basket.  
 Maximum dish sizes (upper/lower rack)  
 7"/10", 6.5"/11" or 5.5"/12" respectively.  
 10 place setting capacity.

#### Consumption data

Total annual energy consumption 259 kwh.  
 Water usage 2.5 gallons  
 Noise level 44 dB.

#### Planning notes

Height-adjustable feet.  
 Appliance toe kick recess 3 15/16".  
 Rear feet adjustable at front.  
 Door panel dimension dependent on toe kick height of kitchen cabinets.  
 Ventilation openings required when installed as a tall unit.  
 Connection to hot or cold water possible.  
 Water connection with 3/4" screw gland.

#### Rating

Total rating 1.3 kW.  
 Total Amps: 12 A.

#### Product Features

**Watts (W)**  
1300  
**Current (A)**  
12  
**Volts (V)**  
120  
**Frequency (Hz)**  
60  
**Power Cord Length**  
68 7/8"  
**Minimum Water Pressure (lb/sin)**  
7.0  
**Length inlet hose (in)**  
65"  
**Length outlet hose (in)**  
80 5/8"  
**Overall appliance dimensions (HxWxD) (in)**  
32 1/16 " x 17 5/8 " x 21 5/8  
**Required cutout size (HxWxD) (in)**  
x 32 1/8 " x 17 5/8 "  
**Adjustable feet**  
Yes

#### Consumption and connection features

**Number of wash cycles**  
4  
**Number of options**  
6  
**Third Rack**  
3rd Rack 2.1  
**Tube material**  
Stainless steel  
**Concealed heating element**  
Yes  
**Leak protection system**  
24/7 Aqua Stop Plus  
**Five-level wash**  
Yes  
**Water softener**  
Yes  
**ChildLock**  
No  
**Total annual energy consumption (kWh)**  
259  
**Energy Efficiency Class**  
Tier 1  
**Energy Star® qualified**  
Yes  
**Total annual energy consumption (kWh)**  
623.5  
**Total annual water consumption (g)**  
624  
**Number of place settings**  
10  
**2017-09-19**  
**Page 1**

120 V / 60 Hz  
 Connecting cable 68 7/8" plugable.

#### Color Variants

**DF250740**  
**fully integrated**  
**Appliance height 81.5 cm / 32 1/16 "**  
**Width 17 3/4 " (45 cm)**

#### Included accessories

1 x baking tray spray head.

#### Optional accessories

**DA042030**  
**Sterling silver cutlery cassette**

#### Installation Accessories

**DA020010**  
**Stainless steel trim kit for Euro tub dishwashers**  
**DA021000**  
**Folding hinge**  
**GZ010011**  
**Extension for inlet and outlet (78" long)**

200 series dishwasher

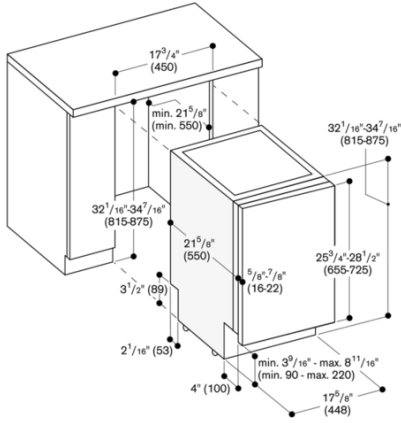
DF250740

fully integrated

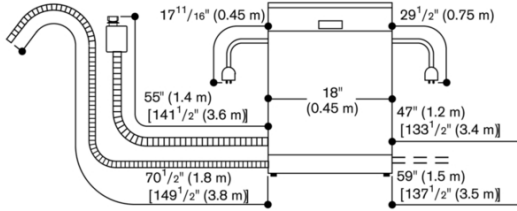
Appliance height 81.5 cm / 32 1/16",  
Width 17 3/4" (45 cm)

2017-09-19

Page 2



Connection dimensions for an 18" (45 cm) wide dishwasher



[ ] values with extension kit