



BO451611
400 series single oven
Stainless steel-backed full glass door
Width 24" (60 cm)
Left-hinged
controls on top

Handleless door / automatic door opening
Pyrolytic self-cleaning
Universal heating system with 13 heating modes, with meat probe and baking stone operation
TFT touch display
Panel-free appliance with surface control module
Electronic precision temperature control from 85° F - 550° F
3.2 cu.ft. net volume
Star-K certified

Cooking modes
 Convection.
 Economy convection.
 Top + bottom heat.
 Top heat.
 Bottom heat.
 Convection+ bottom heat.
 Convection broiling.
 Broiling.
 Economy broiling.
 Baking stone operation.
 Roaster operation.
 Dough proofing.
 Defrosting.

Operation
 Automatic door opening to the left.
 Rotary knobs and TFT touch display operation.
 Clear text display in 25 languages.
 Option to save individual recipes (incl. meat probe)
 Information key with use indicators.
 Side-opening door opens up to 180° angle.

Features
 Meat probe with automatic shut-off.
 Baking stone outlet.
 Actual temperature display.
 Super-quick preheating.
 Timer functions: cooking time, switch-off time, short-term timer, stopwatch, Sabbath mode.
 60 W halogen light on top.
 10 W halogen light on the side.
 Enamel wire racks on the side with 5 rack levels, pyrolytic-safe.

Safety
 Thermally insulated door with quadruple glazing.
 Child lock.
 Safety shut-off.
 Cooled door housing with temperature protection.

Cleaning
 Pyrolytic self-cleaning.
 Gaggenau Clean-Enamel.
 Heated air cleaning catalyst.

Planning notes
 Door hinge not reversible.
 The front of the appliance extends 1 7/8" from the cabinet front.
 When handle (optional accessory) is installed, the outer edge of the door handle extends 3 11/16" (94 mm) from the cabinet front.
 Consider the overhang, incl. the door handle where applicable, when planning to open drawers next to the appliance. Plan a gap of at least 3/16" between the appliance and adjacent cabinets.
 When planning a corner solution, pay attention to the 90° door opening angle.

Product Features
Cooking mode
 Baking stone function, Bottom heat, Conventional heat, Defrost, Dough proving setting, Full width broil, Half width broil, Hot Air, Hot air and 1/1 bottom heating, Hot air broiling, Hot Air-Eco, Roasting function, Top heat
Integrated Cleaning system
 Self Clean
Interior Lights - primary cavity
 2
Pull-out system
 Accessory
Timer settings
 Alarm, Off, On, timer
Included accessories
 1 x enamel baking tray, suit. pyrolytic clean, 1 x grill shelf, 1 x grill tub with grid, 1 x pluggable meat probe
Bake Element Wattages primary cavity (W)
 1300
Broil Element Wattages primary cavity (W)
 3000
Convection Element Wattages primary cavity (W)
 2100
Microwave Wattages (W)
Drawer wattage (W)

Consumption and connection features
UPC code
 825225911197

Product color
 Stainless steel

Alternative colors available

Energy source
 Electric

Watts (W)
 4030

Current (A)
 17

Volts (V)
 208/220-240

Frequency (Hz)
 60

Approval certificates
 ETL

Power Cord Length
 39 3/8

Plug type
 fixed connection

Required cutout size (HxWxD) (in)
 23 1/4 " x 22 1/16 x 21 11/16 "

Product packaging dimensions (HxWxD) (in)
 30 11/16 x 26 3/4 x 29 15/16

Net weight (lbs)
 125

Gross weight (lbs)
 134

2017-09-19
 Page 1

To achieve the 21 5/8" installation depth, the connecting cable needs to follow the slanted edge on the lower right hand corner of the housing. The electrical outlet needs to be planned outside the cut-out niche.

Rating
 Total rating 4.0 kW.
 Total Amps: 17 A.
 208 / 220 - 240 V / 60 Hz.
 Connecting cable 39 3/8 without plug (hardwire required).

Color Variants
BO451611
Stainless steel-backed full glass door
Width 24" (60 cm)

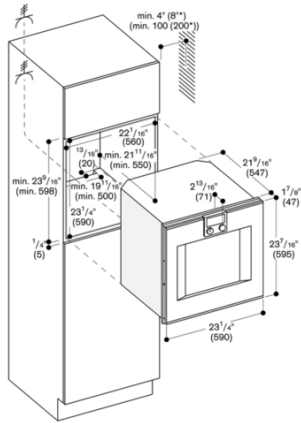
Included accessories
 1 x enamel baking tray, suit. pyrolytic clean.
 1 x grill shelf.
 1 x grill tub with grid.
 1 x pluggable meat probe.

Optional accessories
BA026115
Baking tray, enameled
BA056115
Heating element for baking stone and cast-iron roaster
BA056133
Baking stone
BA226105
Broil pan, enameled
BS020002
Pizza peel, additional set of 2
GN340230
Non-stick aluminum cast-iron roaster

Installation Accessories
BA476110
Handle bar, stainless steel

Product Variants
BO450611
400 series single oven
Stainless steel-backed full glass door
Width 24" (60 cm)
Right-hinged
controls on top

BO451611
400 series single oven
Stainless steel-backed full glass door
Width 24" (60 cm)
Left-hinged
controls on top
2017-09-19
Page 2



* 8" (200 mm) in connection with BA 016