



RW464761
Wine storage unit
Fully integrated, with glass door
Width 24" (61 cm)

Width 24" (61 cm)
Fully integrated, with glass door
Two individual temperature zones,
both continuously variable
Consistant temperatures, adjustable
from 41 °F to 64 °F (+5 °C to 18 °C)
Humidity control
Stainless steel interior
Fully extendable bottle trays in beech
and aluminum
Presentation light option
Low-vibration operation
Capacity 99 bottles

Color Variants

RW464761
Fully integrated, with glass door
Width 24" (61 cm)

Optional accessories

RA093630
Presenters in aluminium for single
bottle display (set of 3) for RW 464.
RA491631
Fully extendable bottle tray in beech
and aluminium
RA492630
Fully extendable shelves in aluminium

Required installation accessories

RA460010
Additional side heating element

Installation Accessories

RA420010
Door lock
RA421611
Stainless steel door panel frame with
handle
RA421612
Stainless steel door panel frame with
handle
RA425110
Long stainless steel door handle
RA460040
Finger protection for extra long
furniture fronts
RA461612
Ventilation grill, stainless steel
RA461613
Ventilation grill, stainless steel

Operation

Electronic precision temperature control with digital temperature display.

Technical features

Dynamic cool air distribution with Multi-Flow Air System.
 Automatic defrosting with defrost water evaporation.
 Activated charcoal air filter.
 UV-protection.
 Energy-saving vacation mode.
 Open-door and malfunction warning system.

Features

Net volume 13.7 cu. ft. (389 liters)
 Capacity 99 bottles (based on standard bottles).
 10 fully extendable bottle trays, up to four can store magnum bottles.
 Space for max. 13 bottle trays or aluminum shelves
 Interior lighting with 2 ceiling spots in the upper and 1 ceiling spot in the lower climate zone, can be used as display light.

Planning notes

Flat hinge.
 Door hinge right, reversible.
 Door opening angle of 115°, optional 90° door stop.
 Max. door panel weight 158 lb.

Consumption data

Energy consumption 1.153 kwh/24 h.
 Energy consumption 420.85 kwh/year.
 Noise level 43 dB.

Rating

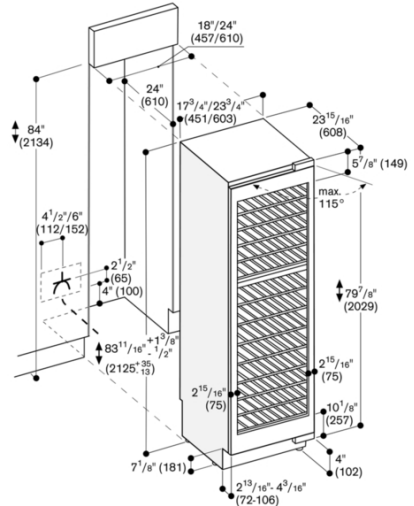
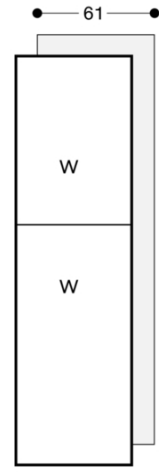
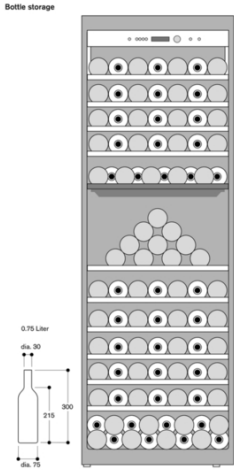
Total rating 0.102 kW.
 Total Amps: 10 A.
 120 V / 60 Hz
 Connecting cable 139 1/3" with plug.

Product Features

Number of temperature zones
1
Range of temperature (°C)
5-20
Eco Mode
Yes
Carbon Air Filter
No
Presenter Lighting
Yes
Presenter Shelf
Yes
Type of Glass Door
2 glass panels
Number of Adjustable Shelves
0
Number of shelves
10
Bottles per Shelf
7
Door Hinge
Right reversible
Shelf Material - Refrigerator
Reversible Door Hinge
Yes
Lighting

Consumption and connection features

UPC code
825225900368
Color / Material housing
Colour.Material door
Panel ready
Not possible
Installation Type
N/A
Silence level (dBA)
43
Watts (W)
102
Current (A)
10
Volts (V)
120
Frequency (Hz)
60
Energy consumption per Year (kWh/a) winecooler
420.8
Approval certificates
ETL, ETL C
Power Cord Length
139 1/3"
Plug type
120V-3 prong
Required cutout size (HxWxD) (in)
x 24" x 23 3/4 "
Appliance Width (in)
23 3/4 "
Height (in)
83 3/4 "
Depth (in)
24"
Capacity in 0.75l (bordeaux bottles)
99
Total unit gross capacity (cu. ft.) - AHAM
Product packaging dimensions (HxWxD) (in)
88.97 x 27.55 x 29.52
Net weight (lbs)
346
Gross weight (lbs)
377
2017-08-24
Page 1



The maximum door front dimensions are designed for a gap dimension of 3 mm.

