



RB472701
Two-door bottom freezer with integrated ice maker
with temperature controlled drawer
Fully integrated appliance
Width 30" (76.2 cm)

Width 30" (76.2 cm)
Stainless steel interior
Generous LED lighting concept
Solid aluminum door bins
Net volume 16.2 cu.ft.
Integrated automatic ice maker with fixed water connection
One motorized glass shelf, adjustable when fully loaded
Fully extendable freezer drawer with practical divider
ENERGY STAR® qualified

Operation
 Electronic precision temperature control with digital temperature display.

Technical features
 Dynamic cool air distribution with Multi-Flow Air System.
 Automatic defrosting with defrost water evaporation.
 Activated charcoal air filter.
 Energy-saving vacation mode.
 Open-door and malfunction warning system.

Cooling compartment
 Net volume 11 cu. ft.
 No-frost technology with fast cooling.
 Temperature adjustable from 35 °F to 46 °F (+2 °C to +8 °C).
 3 safety glass shelves, 1 of which is motorized.
 1 fully extendable drawer with transparent front.
 Bright interior lighting with LED sidewall pillars.
 2 height adjustable door bins, one large gallon door bin.
 1 door bin with transparent front flap.

Temperature controlled drawer
 Net volume 0.7 cu. ft.
 No-frost technology.
 1 continuous, fully-extendable temperature controlled drawer with transparent front and integrated lighting.

Freezer compartment
 Net volume 4.9 cu. ft. (138 liters).
 No-frost technology with fast freezing.
 Temperature adjustable from 7 °F to -9 °F (-14 °C to -25 °C).
 2 fully extendable drawers.
 Interior lighting with 1 spot.

Ice dispenser
 Integrated automatic ice maker in the freezer compartment, with fixed water connection.
 Ice maker can be switched off independently.
 Ice cube production approx. 3.5 lb (1.7 kg)/24 h.
 Removable ice storage bin with approx. 6.6 lb (3 kg) capacity.

Planning notes
 Flat hinge.
 Door hinge right, reversible.
 Door opening angle of 115°, optional 90° door stop.
 Max. door panel weight:
 Door 77 lb.
 Drawer 22 lb.
 Shut-off valve for water connection must be planned next to the appliance and always be accessible.
 If the water pressure exceeds 116 psi, connect pressure relief valve between water tap and hose set.

Product Features
Multi-Flow Air Tower
 Yes
SUPERCOOL
 Yes
SUPERFREEZE
 Yes
Carbon Air Filter
 No
Temperature Controlled Drawer
 No
Humidity Control Drawer
 Yes
Number of Door Bins - Refrigerator
 3
Adjustable Door Bins - Refrigerator
 No
Tilt-Out Door Bins - Refrigerator
 Yes
Gallon Storage Bins
 1
Number of Shelves - Refrigerator
 3
Door Hinge
 Right reversible
Adjustable Shelves - Refrigerator
 2
Number of Shelves - Freezer
 2
Reversible Door Hinge
 Yes
Adjustable Shelves - Freezer
 No

Consumption and connection features
UPC code
 825225803225
Color / Material housing
 Colour.Material door
Panel ready
 Not possible
Silence level (dBA)
 43
Watts (W)
 588
Current (A)
 10
Volts (V)
 120
Frequency (Hz)
 60

Total annual energy consumption (kWh)
 545.7
Energy Star® qualified
 Yes
Approval certificates
 ETL, ETL C
Power Cord Length
 139 1/3"
Required cutout size (HxWxD) (in)
 x 84" x 29 3/4"
Appliance Width (in)
 29 3/4"
Height (in)
 83 3/4"
Depth (in)
 24"
Capacity in 0.75l (bordeaux bottles)
Total unit gross capacity (cu. ft.) - AHAM
 16
Product packaging dimensions (HxWxD) (in)
 88.97 x 33.46 x 29.52
Refrigerator Gross capacity (cu. ft.)
 11
Freezer Gross capacity (cu ft)
 5
Net weight (lbs)
 445
Gross weight (lbs)
 481
SKU
 RB472701
2017-08-23
 Page 1

Cold water connection required.
 Electrical location 6" above ground in lower left corner of unit.
 Water pressure 29 to 116 psi.

Consumption data
 Energy consumption 1.495 kwh/24 h.
 Energy consumption 545.68 kwh/year.
 Noise level 43 dB.

Rating
 Total rating 0.588 kW.
 Total Amps: 10 A.
 120 V / 60 Hz
 Connecting cable 139 1/3" with plug.
 Supply hose 118" with 3/4" connection.

Color Variants
RB472701
with temperature controlled drawer
Fully integrated appliance

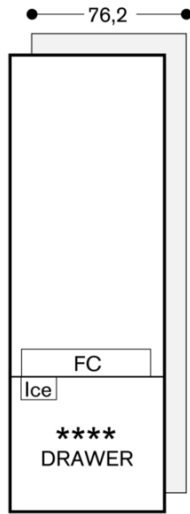
Included accessories
 1 x ice cube scoop.

Optional accessories
RA450000
Mechanical particle filter
RA450010
Activated charcoal filter for water filter system including saturation indicator

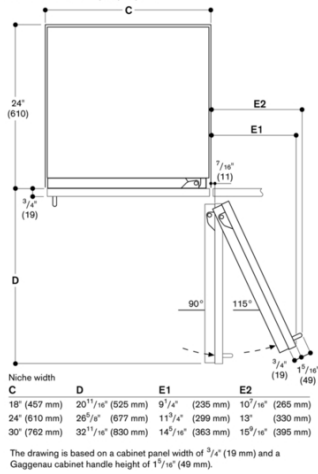
Required installation accessories
RA460000
Installation kit for side-by-side installation (for connecting any two columns)
RA460010
Additional side heating element

Installation Accessories
RA421712
Stainless steel door panel with handles
RA425710
Short stainless steel door handle for 30" bottom freezer
RA461716
Ventilation grill, stainless steel

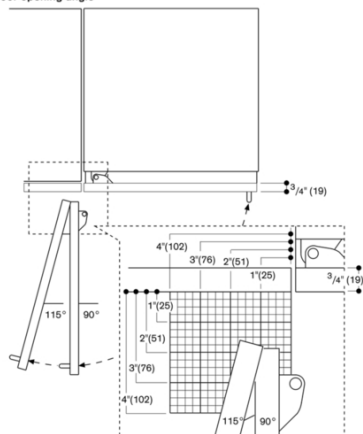
RB472701
 Two-door bottom freezer with integrated
 ice maker
 with temperature controlled drawer
 Fully integrated appliance
 Width 30" (76.2 cm)
 2017-08-23
 Page 2



Wall clearance RB 472/RC/RF/RW



Door opening angle



The space required for the hinge and the consequential distance to the adjacent unit and its handle can be seen in the above drawing, depending on the thickness. The drawing assumes a panel thickness of 19 mm.