

**INSTALLATION INSTRUCTIONS  
USER GUIDE**

**INSTRUCTIONS D'INSTALLATION  
GUIDE D'UTILISATION**

**Telescopic Downdraft Vent System  
Système de Ventilation Télésopique à Aspiration Descendante**

HD30 and HD36 Vent models

HBD600I and HBD1200E Blower models

Modèles de systèmes de ventilation HD30 et HD36

Modèles de ventilateurs HBD600I et HBD1200E

US CA



---

**English**

---

**Page 1 - 34**

---

**Français**

---

**Page 37 - 70**

---

---

Introduction	3
Safety and warnings	4
Venting requirements	6
Electrical requirements	7
Installation instructions	8
Operating instructions	25
Cleaning and maintenance	26
Troubleshooting	27
Parts and accessories	29
Wiring diagram	30
Limited Warranty	32

---

## **IMPORTANT!**

### **SAVE THESE INSTRUCTIONS**

The models shown in this user guide may not be available in all markets and are subject to change at any time. For current details about model and specification availability in your country, please go to our website [www.dcsappliances.com](http://www.dcsappliances.com) or contact your local DCS by Fisher & Paykel dealer.

### **Registration**

Register your product with us so we can provide you with the best service possible.

To register your product visit our website: [www.dcsappliances.com](http://www.dcsappliances.com)



Thank you for purchasing a DCS by Fisher & Paykel product. This Installation and Use and Care Guide contains valuable information on how to properly install, operate and maintain your new Downdraft Vent System for years of safe and enjoyable service.

To serve you better, please fill out and submit your Product Registration by visiting our website at [www.dcsappliances.com](http://www.dcsappliances.com) and selecting 'Customer Care' on the home page and then select 'Product Registration'. In addition, keep this manual handy, as it will help answer questions that may arise as you use your new appliance.

For your convenience, product questions can be answered by a DCS Customer Care Representative by phone: 1-888-936-7872, or email: [support@dcsappliances.com](mailto:support@dcsappliances.com)

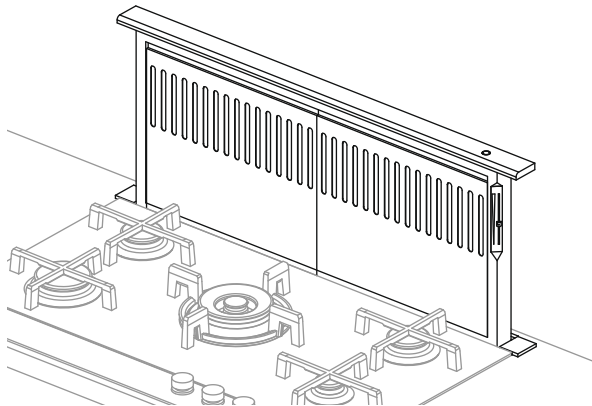
Note: please write the Model, Code and Serial Numbers on this page for references.

Vent Model Number \_\_\_\_\_ Code \_\_\_\_\_ Serial Number \_\_\_\_\_

Blower Model Number \_\_\_\_\_ Code \_\_\_\_\_ Serial Number \_\_\_\_\_

Note: inspect the product to verify that there is no shipping damage. If any damage is detected, call the shipper and initiate a damage claim. Fisher & Paykel is not responsible for shipping damage where Fisher & Paykel is not the shipper.

DO NOT discard any packing material (box, pallet, straps) until the unit has been inspected.



## SAFETY AND WARNINGS



### WARNING!



**35 lb (16 kg)**  
(HC30)

**44 lb (20 kg)**  
(HC36)

**11 lb (5 kg)**  
(HBD600I)

**33 lb (15 kg)**  
(HBD1200E)

#### Weight Hazard

The appliance is heavy. Please ensure adequate care is taken when installing the appliance to prevent personal injury. Weight of the products are 35 lb (16 kg) HC30 / 44 lb (20 kg) HC36 / 11 lb (5 kg) HBD600I / 33 lb (15 kg) HBD1200E



### WARNING!



#### Electric Shock Hazard

Always disconnect the appliance from the mains power supply before carrying out any maintenance or repairs.

Installation work and electrical wiring must be done by qualified person(s) in accordance with all applicable codes and standards, including fire-rated construction.

Failure to do so can result in death, electric shock, fire or injury to persons.

## IMPORTANT SAFETY INSTRUCTIONS

READ THE ENTIRE SET OF INSTRUCTIONS BEFORE INSTALLING OR USING THIS APPLIANCE.

Manuals can also be found on our website [www.dcsappliances.com](http://www.dcsappliances.com)

- **CAUTION:** For general ventilating use only. Do not use to exhaust hazardous or explosive materials and vapors.
- **WARNING!** To reduce the risk of fire, electric shock, or injury to persons, observe the following:
  - Use this unit only in the manner intended by the manufacturer. If you have questions, contact the manufacturer. For residential use only.
  - Before servicing or cleaning unit, switch power off at service panel and lock the service disconnecting means to prevent power from being switched on accidentally. When the service disconnecting means cannot be locked, securely fasten a prominent warning device, such as a tag, to the service panel.
  - Installation work and electrical wiring must be done by qualified person(s) in accordance with all applicable codes and standards, including fire-rated construction.

- Sufficient air is needed for proper combustion and exhausting of gases through the flue (chimney) of fuel burning equipment to prevent back drafting. Follow the heating equipment manufacturer's guideline and safety standards such as those published by the National Fire Protection Association (NFPA), and the American Society for Heating, Refrigeration and Air Conditioning Engineers (ASHRAE), and the local code authorities.
- When cutting or drilling into wall or ceiling, do not damage electrical wiring and other hidden utilities.
- Ducted fans must always be vented to the outdoors.
- This appliance must be grounded
- **CAUTION:** To reduce risk of fire and to properly exhaust air, be sure to duct air outside - Do not vent exhaust air into spaces within walls or ceilings or into attics, crawl spaces, or garages.
- **WARNING:** To reduce the risk of fire, use only metal ductwork.
- **NOTE:** Suitable for use with solid state speed controls.
- **CAUTION:** To reduce the risk of fire and electric shock, install this appliance only with remote blower models rated maximum 2.8 A, and are suitable for use with solid state speed controls.
- **WARNING:** To reduce the risk of a range top grease fire:
  - Never leave surface units unattended at high settings. Boilovers cause smoking and greasy spillovers that may ignite. Heat oils slowly on low or medium settings.
  - Always turn hood ON when cooking at high heat or when flambéing food (ie Crepes Suzette, Cherries Jubilee, Peppercorn Beef Flambé).
  - Clean ventilating fans frequently. Grease should not be allowed to accumulate on fan or filter.
  - Use proper pan size. Always use cookware appropriate for the size of the surface element.
- **WARNING:** To reduce the risk of injury to persons in the event of a range top grease fire, observe the following\*:
  - **SMOTHER FLAMES** with a close-fitting lid, cookie sheet, or metal tray, then turn off the burner. **BE CAREFUL TO PREVENT BURNS.** If the flames do not go out immediately, **EVACUATE AND CALL THE FIRE DEPARTMENT.**
  - **NEVER PICK UP A FLAMING PAN** - You may be burned.
  - **DO NOT USE WATER**, including wet dishcloths or towels - a violent steam explosion will result.
  - Use an extinguisher **ONLY** if:
    - You know you have a Class ABC extinguisher, and you already know how to operate it.
    - The fire is small and contained in the area where it started.
    - The fire department is being called.
    - You can fight the fire with your back to an exit.
- **WARNING:** Unplug or disconnect the appliance from the power supply before servicing or cleaning.
- **WARNING:** All wall and floor openings where the vent hood is installed must be sealed.

## READ AND SAVE THESE INSTRUCTIONS

\* Based on "Kitchen Firesafety Tips" published by NFPA.

## VENTING REQUIREMENTS

---

Determine which venting method is best for your application. Ductwork can extend either through the wall or the roof.

The length of the ductwork and the number of elbows should be kept to a minimum to provide efficient performance. The size of the ductwork should be uniform. Do not install two elbows together. Use duct tape to seal all joints in the ductwork system. Use caulking to seal exterior wall or floor opening around the cap.

Flexible ductwork is not recommended. If it is used, each foot of flexible ductwork used is equivalent to two feet of straight metal ductwork when calculating the ductrun length. Thus, a flexible elbow equals two standard elbows.

Make sure there is proper clearance within the wall or floor for exhaust duct before making cutouts. Do not cut a joist or stud unless absolutely necessary. If a joist or stud must be cut, then a supporting frame must be constructed. For best results, internal blowers should use 6" (152 mm) round ducting and remote blowers should transition to 10" (254 mm) round duct as soon as possible. If small ducting is used, it should be transitioned to 10" (254 mm) round as soon as possible.

### **WARNING!**

**To reduce the risk of fire, use only metal ductwork.**

### **CAUTION!**

**To reduce risk of fire and to properly exhaust air, be sure to duct air outside – do not vent exhaust air into spaces within walls or ceilings or into attics, crawl spaces or garages.**

### **Cold weather installations (not included)**

An additional back draft damper should be installed to minimize backward cold air flow and a nonmetallic thermal break should be installed to minimize conduction of outside temperatures as part of the vent system. The damper should be on the cold air side of the thermal break. The break should be as close as possible to where the vent system enters the heated portion of the house.



### **WARNING!**

- **Venting system MUST terminate outside the home.**
- **DO NOT terminate the ductwork in an attic or other enclosed space.**
- **DO NOT use 4" (102 mm) laundry-type wall caps.**
- **Flexible-type ductwork is not recommended.**
- **DO NOT obstruct the flow of combustion and ventilation air.**
- **Failure to follow venting requirements may result in a fire.**



A 120 volt, 60 Hz AC-only electrical supply is required on a dedicated 15 amp fused circuit. A time-delay fuse or circuit breaker is recommended. The fuse must be sized per local codes in accordance with the electrical rating of this unit as specified on the serial/rating plate located inside the unit near the field wiring compartment. THIS UNIT MUST BE CONNECTED WITH COPPER WIRE ONLY. Wire sizes must conform to the requirements of the National Electrical Code, ANSI/NFPA 70 - latest edition, and all local codes and ordinances. Wire size and connections must conform with the rating of the appliance. Copies of the standard listed above may be obtained from:

National Fire Protection Association  
Batterymarch Park  
Quincy, Massachusetts 02269

This appliance should be connected directly to the fused disconnect (or circuit breaker) through flexible, armored or nonmetallic sheathed copper cable. Allow some slack in the cable so the appliance can be moved if servicing is ever necessary. A UL Listed, ½" (12.7 mm) conduit connector must be provided at each end of the power supply cable (at the appliance and at the junction box).

When making the electrical connection, cut a 1¼" (32 mm) hole in the wall. A hole cut through wood must be sanded until smooth. A hole through metal must have a grommet.

### **IMPORTANT!**

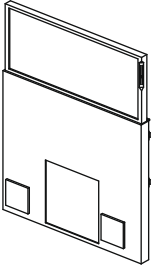
- **Use this unit only in the manner intended by the manufacturer. If you have any questions, contact the manufacturer.**
- **Before servicing or cleaning unit, switch power off at service panel and lock the service disconnecting means to prevent power from being switched on accidentally. When the service disconnecting means cannot be locked, securely fasten a prominent warning device, such as a tag, to the service panel.**

### **WARNING!**

- **Electrical ground is required on this downdraft unit.**
- **If cold water pipe is interrupted by plastic, nonmetallic gaskets or other materials, DO NOT use for grounding.**
- **DO NOT ground to a gas pipe.**
- **DO NOT have a fuse in the neutral or grounding circuit. A fuse in the neutral or grounding circuit could result in electrical shock.**
- **Check with a qualified electrician if you are in doubt as to whether the downdraft unit is properly grounded.**
- **Failure to follow electrical requirements may result in a fire.**

# INSTALLATION INSTRUCTIONS

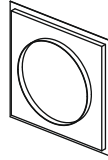
## Downdraft unit contents of packaging



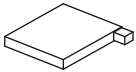
Downdraft unit  
(1)



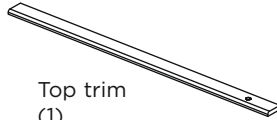
Installation instructions  
User guide manual  
(1)



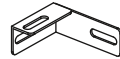
10" (254 mm) remote  
blower connection plate  
(1)



End cap  
(2)



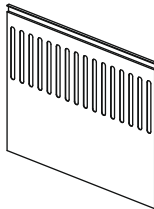
Top trim  
(1)



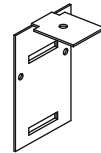
Under counter  
mounting bracket  
(2)



Support leg  
mounting bracket  
(2)



Grease filter  
(2)



Over counter  
mounting bracket  
(2)



$\frac{3}{32}$ " (7 mm) nut  
(2)



$\frac{3}{16}$ " (5 mm) screw  
(2)

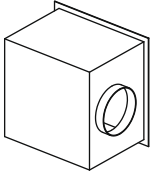


$\frac{5}{16}$ " (8 mm) screw  
(6)

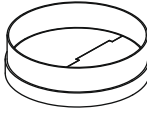


$1\frac{9}{32}$ " (15 mm)  
Self tapping screw  
(6)

## Internal blower (HBD600I) contents of packaging

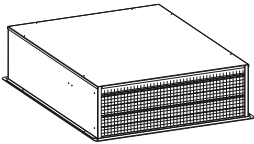


Internal blower box  
(1)



6" (152 mm) diameter  
back draft damper  
(1)

## Remote blower (HBD1200E) contents of packaging



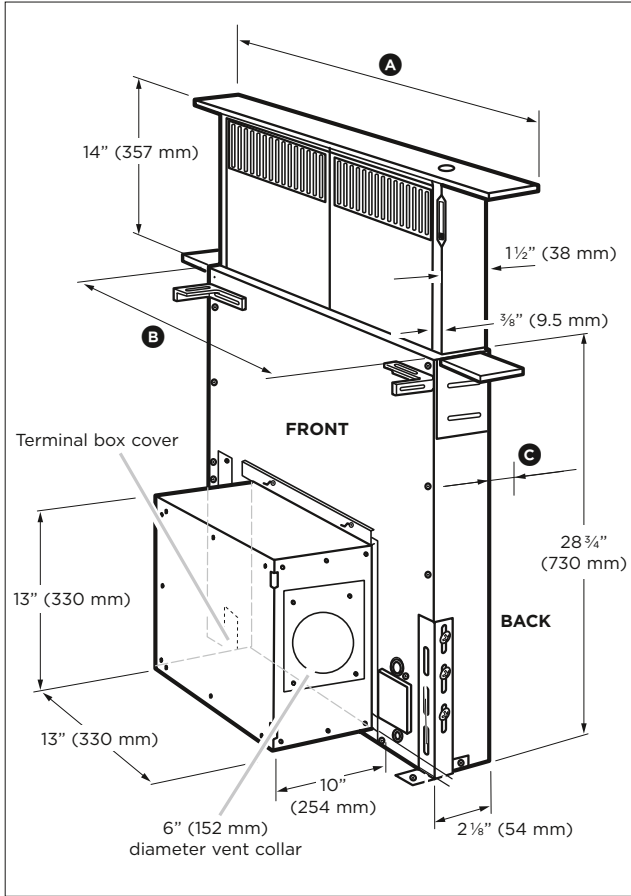
Remote blower  
(1)



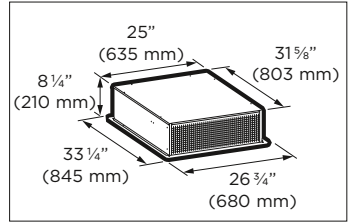
Duct collar plate  
(1)

# INSTALLATION INSTRUCTIONS

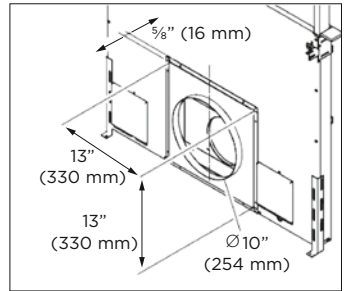
## Product dimensions



Downdraft unit and internal blower box (HBD600I) which can also be mounted on the back of the appliance



Remote blower (HBD1200E )



Remote blower connection plate (can also be mounted on the back of appliance)

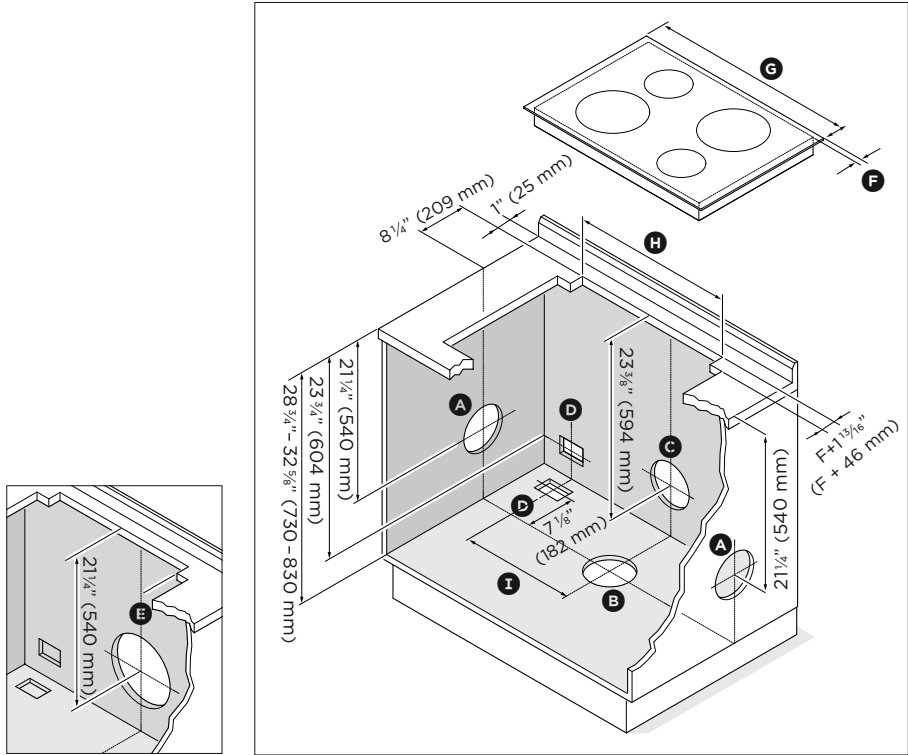
	HD30	HD36
PRODUCT DIMENSIONS	inches (mm)	inches (mm)
(A) Top trim width	30" (762)	36" (914)
(B) Width of product	27" (686)	33" (838)
(C) Minimum distance to rear of the cabinet or wall	1" (25)	1" (25)
Length of power cord	N/A	N/A

## IMPORTANT!

Actual product dimensions may vary by  $\pm \frac{3}{32}$ " (2 mm).

Please read the entire instructions before installing the downdraft vent system.

## Cabinet cutout dimensions



### CUTOUT LOCATION

- (A) Internal blower left/right 6" (152 mm) ducting
- (B) Internal blower down 6" (152 mm) ducting
- (C) Internal blower rear 6" (152 mm) ducting
- (D) Remote blower power cord cutout down or to the rear
- (E) Remote blower rear 10" (254 mm) ducting
- (F) Cooktop overhang

INSTALLATION DIMENSIONS	HD30	HD36
	inches (mm)	inches (mm)
(G) Minimum width of cooktop	28" (711)	34" (864)
(H) Downdraft cutout width	27 1/2" (699)	33 1/2" (851)
(I) Remote blower power cord cutout width from center	9" (230)	12" (306)

# INSTALLATION INSTRUCTIONS

## **WARNING!**

To reduce the risk of fire, use only metal ductwork. Do not use flexible plastic ducting.

## **CAUTION!**

To reduce risk of fire and to properly exhaust air, be sure to duct air outside – Do not vent exhaust air into spaces within walls or ceilings or into attics, crawl spaces, or garages.

### **Compatible blowers with the downdraft vent system**

- Internal blower model HBD600I.
- Remote blower model HBD1200E or Remote Blower Models max 2.8 A.
- This downdraft unit may only be used in connection with the above DCS internal or remote blowers.

### **Compatible cooktops with the downdraft vent system**

The Downdraft Vent System is meant to be installed with residential use cooktops, cooktops/oven combinations, freestanding ranges WITHOUT backguards and range tops. This product is not recommended for use with ranges which may require additional space behind the range for oven venting OR with freestanding ranges WITH backguards. Always consult all product installation instructions for correct dimensions and clearances.

## **IMPORTANT!**

**Make certain any cooktop installed is appropriate for use with a downdraft vent system.**

### **Venting requirements**

Attention should be given to ensure that any applicable regulations concerning the discharge of exhaust air are fulfilled.

For optimal efficiency use the shortest and straightest duct route possible and use rigid or semi-rigid ducting for reduced noise and increased airflow. For best results, internal blowers should use 6" (152 mm) round ducting and remote blowers should use 10" (254 mm) round ducting. Flexible metal ducting should only be used as a last resort (ie in difficult installations) and if used ensure that it is straight and smooth and extended as much as possible.

Make sure there is proper clearance within the wall or floor for exhaust duct before making cutouts. Do not cut a joist or stud unless absolutely necessary. If a joist or stud must be cut, then a supporting frame must be constructed.

## **CAUTION!**

**To reduce the risk of fire and electric shock, install this appliance only with remote blower models rated maximum 2.8 A, and are suitable for use with solid state speed controls.**

## Plan the ductwork

The internal blower can be mounted to the front or back of the downdraft unit and be ducted in multiple directions: left, right, down, forward or backwards. The remote blower can be ducted downwards from the front or back of the downdraft unit.

In the event of installations where the blower is located on the back of the downdraft unit, it is advised to leave an access door or opening to reach the bottom of the downdraft unit, as well as where the wiring box and blower is located should service be needed.

## Calculate the duct run length

The ductwork length should not exceed 55 equivalent feet (16.7 m) for 6" (152 mm) round duct, or 75 equivalent feet (22.9 m) for 10" (254 mm) round duct. Calculate the length of the ductwork by adding the equivalent feet listed in the table below for each piece of duct in the complete system. If flexible metal ductwork is used, each foot (312 mm) of flexible metal ductwork is equivalent to two feet (617 mm) of straight metal ductwork when calculating the duct run length.

For best results the size of the ductwork should be uniform and use no more than three 90° elbows. Make sure that there is a minimum of 24" (607 mm) of straight duct between elbows if more than one is used. Round duct is recommended instead of rectangular duct especially if elbows are needed. Rectangular duct should be transitioned to minimum 6" (152 mm) round for internal blowers and 10" (254 mm) round for remote blowers as soon as possible.

EQUIVALENT LENGTH	
45° elbow	5 feet (1.5 m)
90° elbow	7 feet (2.1 m)
90° flat elbow	12 feet (3.7 m)
Wall cap	0 feet (0.0 m)

EXAMPLE CALCULATION	
9 feet straight duct	9 feet (2.8 m)
2 x 90° elbows	14 feet (4.3 m)
Wall cap	0 feet (0.0 m)
<b>Complete system</b>	<b>23 feet (7.0 m)</b>

# INSTALLATION INSTRUCTIONS

## **WARNING!**

- This appliance is heavy and requires two persons for unpacking and installation.
- Installation work and electrical wiring must be done by qualified person(s) in accordance with all applicable codes and standards.

## **IMPORTANT!**

- Wear gloves to protect against sharp edges.
- When planning the cutout for the downdraft unit:
  - Draw both the cooktop and downdraft unit cutouts on the countertop before making any cuts.
  - Check that there is enough room in the cabinet for both the cooktop and the downdraft unit. Failure to follow these warnings could result in damage to the countertop.
- To avoid damage to motor bearings and impellers, keep drywall spray, construction dust, etc. away from the blower.

The manufacturer is not liable for any damage caused by not following these instructions.

### ① Preparing for installation

Before installing your downdraft vent system:

- Please read the instructions carefully.
- Unpack the downdraft unit and place on a flat protected surface.
- Ensure the voltage (V) and the frequency (Hz) indicated on the serial plate match the voltage and frequency of the installation site.
- Check that the area around the installation area is clear of any electrical cables and pipes etc.
- Be aware of kitchen cabinets and splash backs in the area of the downdraft vent system and the cooktop. Ensure that the area where the downdraft unit rises is free of obstacles. Also be aware performance may be reduced by strong drafts from windows or doors etc.
- The downdraft unit surfaces can be damaged during installation if grazed or knocked by tools. Please take care to protect the surfaces during installation.
- Temporarily mark the center of the cooktop according to the information given in the 'Installation instructions - Cabinet cutout dimensions' section.
- The downdraft unit is installed directly behind the cooktop. For easiest installation, install the downdraft vent system first, then the cooktop.
- Remove any cardboard packaging from within the blower impeller.



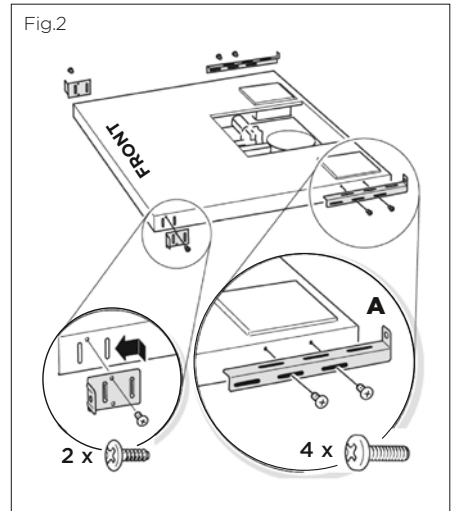
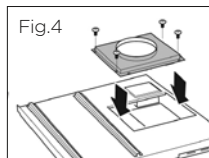
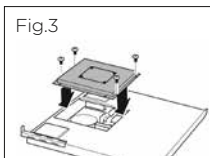
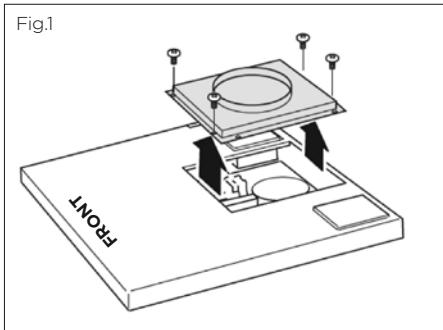
## ② Prepare the downdraft unit for the intended blower

### Internal blower

- Remove the 10" (254 mm) blower connection plate from the front of the downdraft unit Fig.1.
- Attach the over counter mounting brackets in place with the two  $\frac{3}{16}$ " (5 mm) screws provided Fig.2.
- Screw the support leg mounting brackets to the side of the downdraft unit using two  $\frac{5}{16}$ " (8 mm) screws each, **do not fully tighten the screws**. The brackets are different for the right and the left side. Attach them with mounting clip (A) pointing up.

### Remote blower

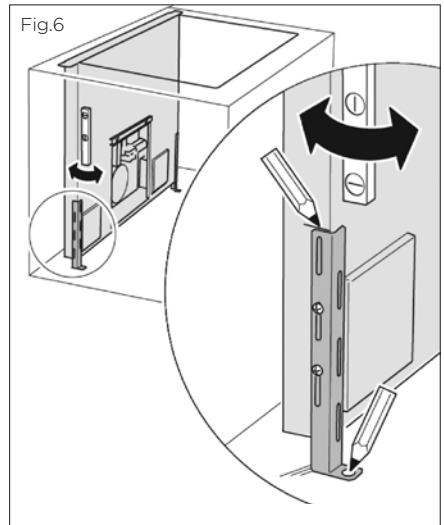
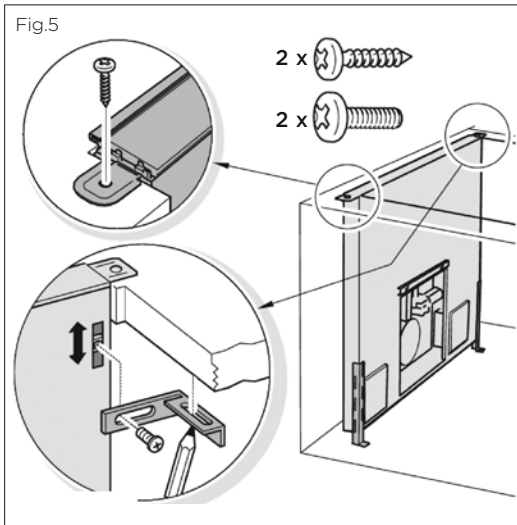
- The downdraft unit comes ready for installation with the 10" (254 mm) remote blower connection plate installed on the front of downdraft unit and the cover plate installed onto the back.
- To connect the remote blower to the back of the downdraft unit swap the plates over (see Fig. 3 and 4)
- Attach the over counter mounting brackets in place with the two  $\frac{3}{16}$ " (5 mm) screws provided Fig.2.
- Screw the support leg mounting brackets to the side of the downdraft unit using two  $\frac{5}{16}$ " (8 mm) screws each, **do not fully tighten the screws**. The brackets are different for the right and the left side. Attach them with mounting clip (A) pointing up.



# INSTALLATION INSTRUCTIONS

## ③ Temporarily insert the downdraft into the cabinet

- With the assistance of another person, lift the downdraft unit into the prepared cutout in the cabinet. The over counter mounting brackets should rest on the countertop.
- Secure the downdraft unit to the countertop with two  $1\frac{1}{2}$ " (15 mm) screws.
- Install the under counter mounting brackets underneath the countertop for additional support. First, loosely screw the brackets into the sliding nuts in the downdraft unit using  $\frac{3}{16}$ " (5 mm) screws and push them up under the countertop. Pre-drill the mounting holes into the countertop from underneath. Check that the mounting screws are the proper length and will not extend through the countertop surface when tightened. **Failure to follow these instructions could result in damage to the countertop surface Fig.5.**
- Level and align the downdraft unit in the cabinet. Push the support leg mounting bracket on each side down against the cabinet floor. Mark the top edge of the mounting bracket on the downdraft unit and the mounting holes on the cabinet floor Fig.6.



## ④ Remove the downdraft from the cabinet

- Remove the screws from the countertop and lift the downdraft unit back out of the cabinet.
- Pre-drill the marked mounting holes in the cabinet floor.
- Tighten the support leg mounting brackets on the unit at the pre-marked positions
- Place the downdraft unit on a flat protected surface to prevent damage in order to install the blower.

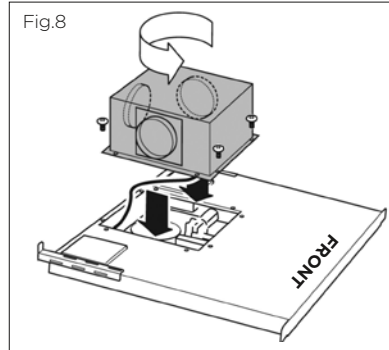
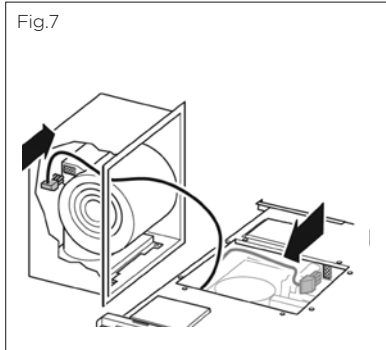
## ⑤ Install the internal or remote blower

- For internal blower installation refer to page 17.
  - For remote blower installation refer to page 18.
- Note: this downdraft unit may only be used in connection with DCS internal or remote blowers.

## Internal blower installation in one of the following three options:

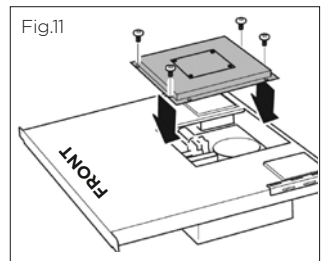
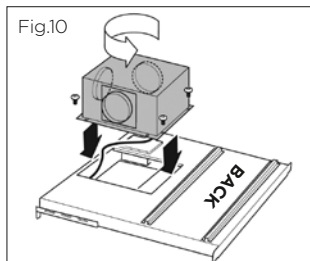
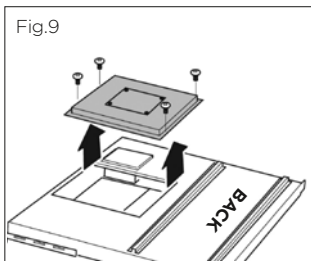
### Option 1: Internal blower, front installation for venting left, right or down

- Disconnect the cable from inside the downdraft unit. Plug in that same cable from the downdraft unit into the internal blower Fig.7.
- Turn the venting collar on the internal blower box to the desired direction - left, right or down.
- Mount the internal blower box to the housing using four screws Fig.8.
- Continue to the 'Prepare for electrical connection' section on page 20.



### Option 2: Internal blower, back installation for venting left, right or down

- The internal blower box can also be installed on the back of the downdraft unit to accommodate the installation of a cooking range, range top or wall oven / cooktop in front of the downdraft unit.
- Remove the large cover on the back of the downdraft unit Fig.9.
- Turn the venting collar on the blower box to the desired direction - left, right or down. Disconnect the cable from inside the downdraft unit. Plug in that same cable from the downdraft unit into the internal blower and mount the blower box to the housing using four screws Fig.10.
- When finished, mount the previously removed cover onto the front of the downdraft unit Fig.11.
- Continue to the 'Prepare for electrical connection' section on page 20.



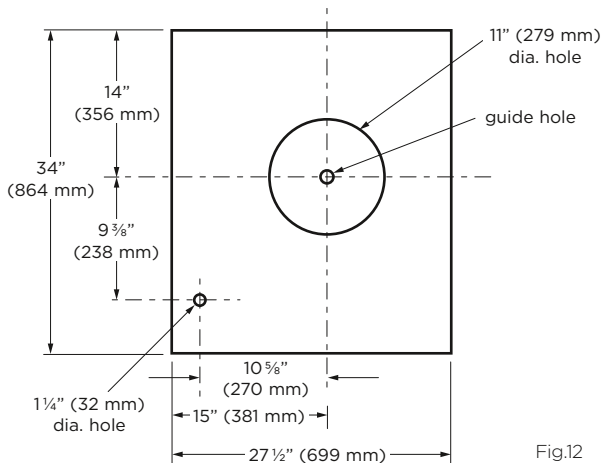
# INSTALLATION INSTRUCTIONS

## Remote blower installation in one of the following three options:

- Make sure that the discharge end of the remote blower faces away from the direction of the prevailing winds.
- Remove any cardboard packaging from within the blower impeller.
- Remove the cover from the remote blower, then remove the wiring box cover and screws.
- Attach an appropriate UL Listed strain relief in the knockout. Note: for most installations, it is recommended that the strain relief be installed so that it can be tightened from inside the remote blower housing.
- Reattach the wiring box cover loosely, it will be removed again later.

### Option 1: Wall installation

- Choose a location on an outside wall where no wall studs, wires, pipes, etc. run through the opening area. A minimum distance of 24" (610 mm) from the remote blower to the ground may be required depending on local code. Make sure to leave room for anticipated snowfall in your region.
- Drill the guide hole in the center of the 11" (279 mm) diameter opening area.
- Mark a 27½" x 34" (699 x 864 mm) rectangle on wall as indicated in Fig.12.
- Cut a rectangular hole in the siding only. Do not cut sheathing. Nail down all siding ends.
- Mark an 11" (279 mm) diameter circle around guide hole as indicated in Fig.12.
- Mark the center of the 1¼" (32 mm) diameter hole for electrical wiring as indicated in Fig.12.
- Cut an 11" (279 mm) diameter hole in the sheathing.
- Drill the 1¼" (32 mm) diameter electrical wiring hole.
- Run a large bead of caulk on the back side of the housing along the outer edge.
- Center the remote blower ring in the 11" (279 mm) diameter hole, making sure that the 1¼" (32 mm) diameter electrical wiring hole lines up with the hole in the wiring box.
- Attach the remote blower to the wall using screws appropriate for your installation. All four holes in the back panel must be filled to prevent moisture that may get inside the remote blower housing from leaking into the home.
- Seal all around the mounting screw heads with caulk.
- Continue to the 'Prepare for electrical connection' section on page 20.



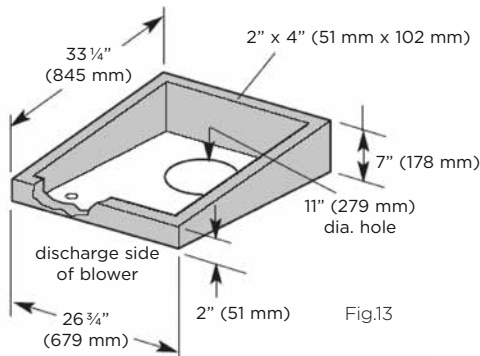
## Option 2: Sloped roof installation

(For flat roof installations see Option 3)

- Choose location on the rear slope of the roof that minimizes vent run. Avoid obstacles such as TV leads, electric lines, etc. If the remote blower top is level with the roof peak, it will not be seen from the street. Remember this location as you work from the inside of the roof space.
- Mark a point half way between the rafters and drill a guide hole at this point.
- From the outside, using the guide hole as a starting point, mark the rectangular cut-out as indicated in Fig.12. Remove ONLY the roof shingles in THIS AREA.
- Mark an 11" (279 mm) diameter circle around guide hole as indicated in Fig.12.
- Mark the center of the 1¼" (32 mm) diameter hole for electrical wiring as indicated in Fig.12.
- Cut out the roof boards along the 11" (279 mm) diameter circle.
- Drill the 1¼" (32 mm) diameter electrical wiring hole.
- Remove the roofing nails from the upper two-thirds of the shingles to allow the back flashing sheet on the remote blower housing to fit under them.
- Center the remote blower ring in the 11" (279 mm) diameter hole, making sure that the 1¼" (32 mm) diameter electrical wiring hole lines up with the hole in the wiring box.
- Attach the remote blower to roof or frame using screws appropriate for your installation. All four holes in the back panel must be filled to prevent moisture that may get inside the remote blower housing from leaking into the home.
- Seal all the shingles around the remote blower housing, flashing sheet, and mounting screw heads or frame with roofing cement. The top and side flanges of the back plate may be covered with trim. It is recommended that electrical connection be made and checked first. Do not block the vent grill opening at the bottom of the trim. Doing so will decrease blower performance.
- Continue to the 'Prepare for electrical connection' section on page 20.

## Option 3: Flat roof installation

- Locate the 11" (279 mm) diameter hole between rafters.
- Build a sloping base that will mount the remote blower at a minimum pitch of 2½" (64 mm) see Fig.13 for an example showing 5" (127 mm) pitch.
- Weatherproof the base as required.
- Locate the base so that the remote blower's vent aligns with the 11" (279 mm) diameter hole and the blower sits evenly on the base with no gaps. Note: Make sure that the discharge end of the remote blower faces away from the direction of prevailing winds.
- Use dimensions from Fig.12 to locate the 1¼" (32 mm) diameter wiring hole.
- Continue from point 8 from the previous 'sloped roof installation' section.

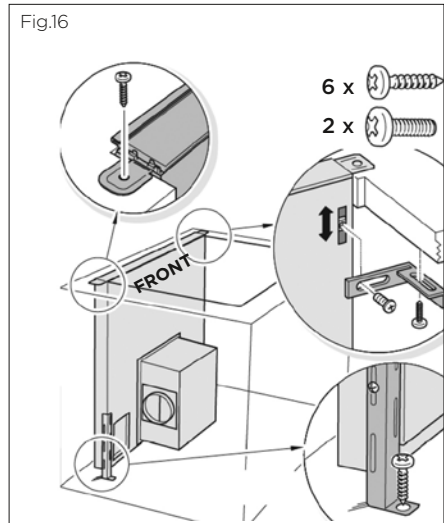
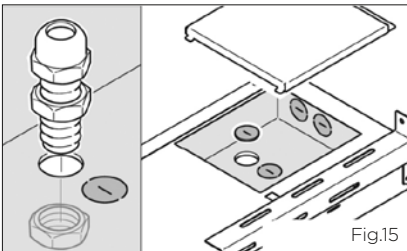
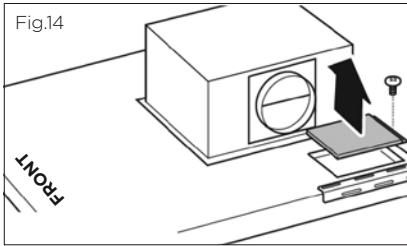


# INSTALLATION INSTRUCTIONS

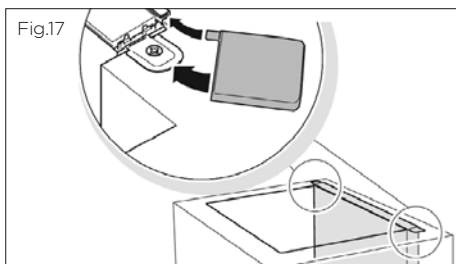
## ⑥ Prepare for electrical connection

### Downdraft unit

- Remove the cover of the terminal box from the downdraft unit Fig.14.
- Decide whether the power source should enter the downdraft unit from below or from the back and remove the respective knock out. Install a UL listed strain relief or conduit fitting (not included) in the knock out Fig.15.
- If the downdraft unit is being installed with a remote blower, remove the knock out for the control cable.
- With the assistance of another person, lift the downdraft unit into the prepared cutout in the cabinet. The over counter mounting brackets should rest on the countertop.
- Secure the downdraft unit to the floor and countertop with screws into the previously drilled holes Fig.16.



- Push the end caps into place on the downdraft unit on top of the counter and lock them in place Fig.17.



## ⑦ Electrical connection

### **WARNING!**

- **Electrical wiring must be done by qualified person(s) in accordance with all applicable codes and standards and the unit must be grounded.**
- **This downdraft unit may only be used in connection with DCS internal or remote blowers.**
- **Unplug or disconnect the appliance from the power supply before servicing or cleaning.**

### **Electrical requirements**

A 120 volt, 60 Hz AC-only electrical supply is required on a separate 15 amp circuit, fused on both sides of the line. A time-delay fuse or circuit breaker is recommended. The fuse must be sized per local codes in accordance with the electrical rating of this downdraft unit as specified on the serial/rating plate located inside the downdraft unit near the field wiring compartment.

**This downdraft unit must be connected with copper wire only.** Wire sizes must conform to the requirements of the National Electrical Code, ANSI/NFPA 70 -latest edition, and all local codes and ordinances. Wire size and connections must conform with the rating of the appliance. Copies of the standard listed above can be obtained from:

National Fire Protection Association  
Battery March Park  
Quincy, Massachusetts 02269

This appliance should be connected directly to the fuse disconnect (or circuit breaker) through flexible, armored or non-metallic sheathed copper cable. Allow some slack in the cable so the appliance can be moved if servicing is ever necessary. A UL Listed strain relief or ½" (12.7 mm) conduit connector must be provided at each end of the power supply cable (at the appliance and at the junction box).

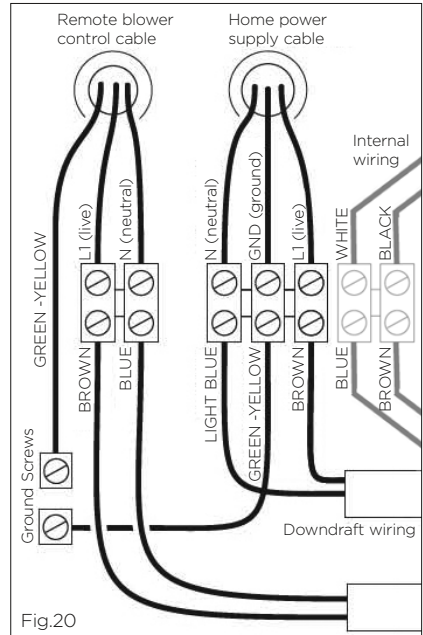
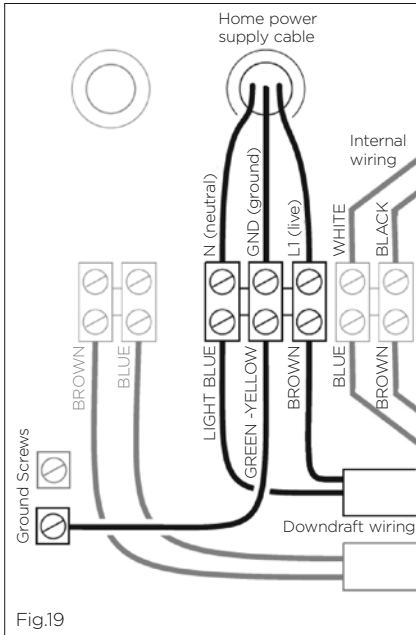
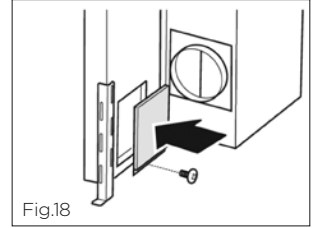
When making the electrical connection, cut a 1¼" (32 mm) hole in the wall. A hole cut through wood must be sanded until smooth. A hole through metal must have a grommet.

Note: suitable for use with solid state speed controls.

# INSTALLATION INSTRUCTIONS

## Downdraft unit internal blower electrical connection

- Connect (L1/live) wire from the power supply cable into the right terminal Fig.19.
- Connect the green (ground) wire from the power supply cable into the middle terminal Fig.19.
- Connect the (neutral) wire from the power supply cable into the left terminal Fig.19.
- Ensure that the terminal screws are tightly holding all wires in place.
- Replace the cover of the terminal box Fig.18.



## Downdraft unit remote blower electrical connection

- Connect the power supply cable into the box as described in the 'Downdraft unit internal blower electrical connection' section (above).
- To use a remote blower, install a control cable between the downdraft unit and the remote blower. See the 'Remote blower electrical connection' on next page.
- Additional knock outs should be used for the remote blower wiring.
- Install a suitable UL listed strain relief or conduit fitting (not included) into the knock out.
- Connect the remote blower wiring into the downdraft unit: N (neutral) into the right terminal, L1 (live) into the left terminal and the green (ground) wire goes into the ground terminal Fig.20.
- Ensure that the terminal screws are tightly holding all wires in place.
- The remote blower will be connected to the additional control cable
- Replace the cover of the terminal box Fig.18.



## Remote blower electrical connection

- Remove the cover from the remote blower, then remove the wiring box cover.
- Pull the electrical wiring through the hole in the blower base and secure it according to local codes using a suitable UL listed strain relief or conduit fitting (not included).
- Connect the N (neutral) wire to the white wire in the wiring box with twist-on connector Fig.21.
- Connect the L1 (live) wire to the black wire in the wiring box with twist-on connector Fig.21.
- Connect the green power supply ground wire to the green ground screw.

**Attention - verify that the main filter, flap and wiring box cover are positioned correctly with wiring clearance.**

- Replace the wiring box cover and screws taking care not to pinch the wiring under the wiring box cover.
- Reinstall the remote blower cover.

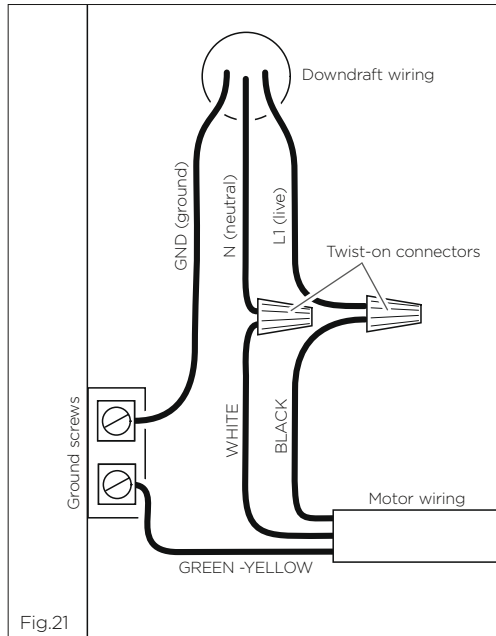
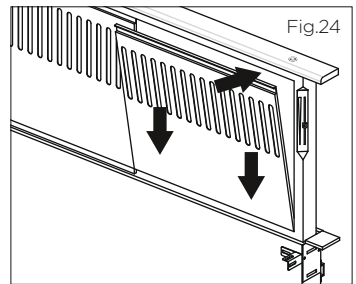
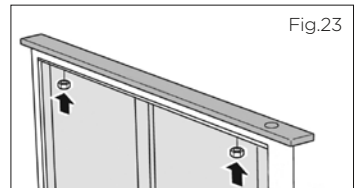
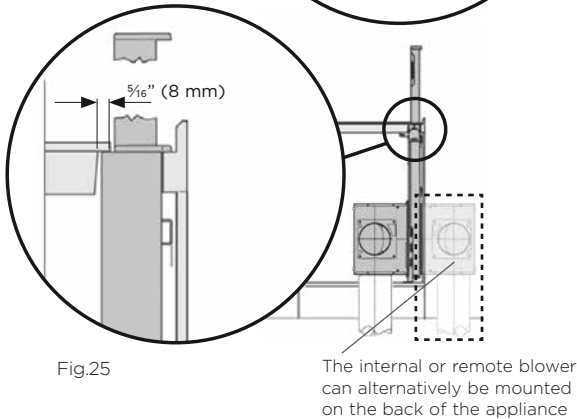
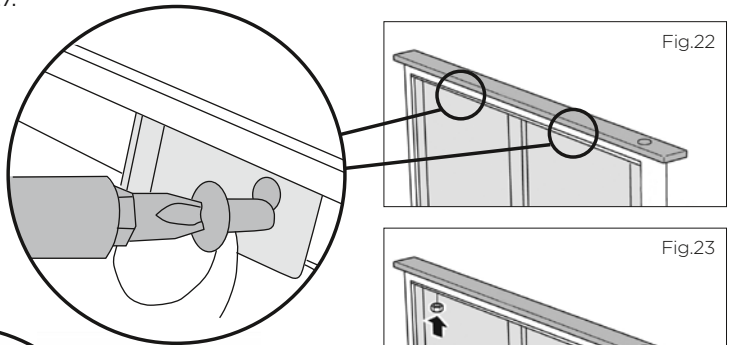


Fig.21

# INSTALLATION INSTRUCTIONS

## 8 Complete the installation

- Place the top trim onto the downdraft unit.
- Push the power button on the top trim, the downdraft unit will rise. (The blower will begin to vent immediately if the blower control slider is set to an 'On' position).
- Remove the labels, screw and brackets as shown in Fig.22. These brackets are used to hold the grease filter microswitches in place during transportation. They are located at the top of the downdraft unit in the centre behind each grease filter.
- Connect the top trim to the downdraft unit by threading the  $\frac{3}{32}$ " (7 mm) nuts onto the top trim screws Fig.23.
- Install the grease filters Fig.24.
- Check the blower operation. If the blower does not work refer to the 'Troubleshooting' section on page 27.



## 9 Attach the ducting

- For the internal blower box, use 6" (152 mm) round ducting and the 6" (152 mm) diameter back draft damper.
- For the remote blower, use 10" (254 mm) round ducting.
- Attach ducting using clamps or aluminum duct tape to seal all joints and vent outside.

## 10 Remove packaging

- Remove all packaging and protective wrappings.

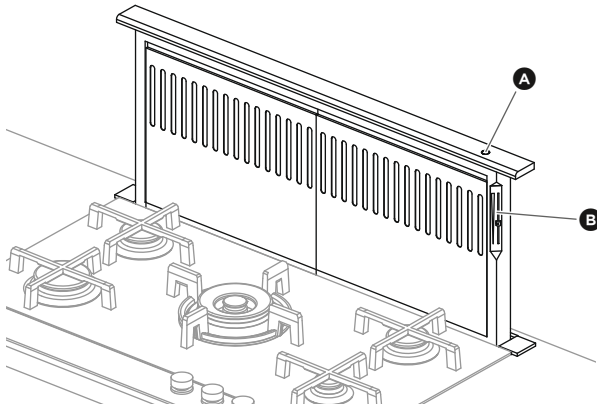
## 11 Install the cooktop

- Install the cooktop according to the manufacturer's instructions.
- Check to make sure that the rear edge of the cooktop overlaps the front edge of the downdraft unit by  $\frac{5}{16}$ " (8 mm) Fig.25.

The downdraft vent system is designed to remove smoke, cooking vapors and odors from the cooktop area. For best results, the downdraft vent system should be operating before cooking is started and should continue to operate for several minutes after cooking is complete. If using large pots, place them on the rear burner to ensure proper ventilation, a higher fan setting may be required.

The flame sensing ignition on some gas cooktops may be affected by the downdraft vent by dispersing the flame away from the spark igniter. This may cause the spark to keep running while trying to reignite the burner that is already lit. To resolve this, and improve burner performance, decrease the fan speed or increase the burner setting, or both.

## Controls



### CONTROL PANEL FEATURES

- |                                |   |
|--------------------------------|---|
| <p><b>(A) Power On/Off</b></p> | <p>Push the power button on the top trim, the downdraft unit will rise. The blower will begin to vent immediately if the blower control slider is set to an 'On' position.</p> <p>Push the power button on the top trim, the blower will turn off and the downdraft unit will lower to the closed position.</p> |
| <p><b>(B) Blower speed</b></p> | <p>Slide the control slider on the right-hand side of the downdraft unit to adjust the blower motor speed.</p>  |

## CLEANING AND MAINTENANCE

---

### **WARNING!**

Unplug or disconnect the appliance from the power supply before servicing or cleaning.

### **IMPORTANT!**

- Never use abrasive or oil based cleaners.
- Wear gloves to protect against sharp edges.

### **Maintenance**

The downdraft vent system should be cleaned regularly using a mild, liquid detergent and a clean soft cloth to avoid a build-up of grease occurring. Avoid the use of corrosive chemicals, abrasive cleaning products, hard brushes and steel wool pads. Grease deposits are corrosive which can cause damage to your downdraft vent system.

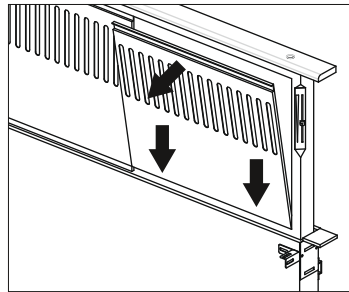
Note: in areas of high humidity or coastal environments, cleaning should be carried out more frequently.

### **Grease filters**

- Depending on use, and at least once a month, the aluminum grease filters should be removed and cleaned with hot soapy water or in a dishwasher. Please note that contact with other items in the dishwasher may cause surface scratching.
- If washed in a dishwasher, the filter should be placed in an upright position to prevent food from falling on them.
- After cleaning and drying, refit the filters.

#### **Removing the grease filters:**

- ① Place fingertips in the groove at the top for the filters.
- ② Press down on the filters far enough for the tab at the top of the filters to clear.
- ③ Pull forward to release the filter from its groove.
- ④ Reverse these instructions when refitting the filters.



### **Remote blower**

Disconnect the power supply and lock out the service panel before cleaning or servicing. To clean, remove the cover and vacuum the blower and housing, being careful not to damage the blower impeller. The motor is permanently lubricated, do not oil or disassemble.

## Spills

### **IMPORTANT!**

**If a spill occurs on the cooktop that allows liquids to seep inside the downdraft unit, you must turn the downdraft vent system off immediately. It is possible to cause damage to the downdraft unit if water is allowed inside the downdraft unit while it is operating.**

- **Immediately turn off the downdraft vent system at the speed control located on the right-hand side of the downdraft unit.**
- **Turn off the power supply to the downdraft vent system at the circuit breaker box or fuse box.**
- **Allow plenty of time for the downdraft unit to dry naturally. Do not open the downdraft unit to remove the water.**

#### **If the downdraft vent system does not operate**

- Check that a circuit breaker has not tripped or a household fuse blown.
- Check that the grease filters are properly installed.
- Check the downdraft unit fuse located under the power board.

Note: this downdraft unit is designed with a microswitch behind the center of each grease filter. These microswitches prevent the blower and the unit-raising and lowering mechanism from operating when either of the grease filters is removed. It is very important to make sure that the grease filters are properly and firmly in place. If the unit does not operate after replacing the grease filters, make sure the filters are properly installed and are making firm contact with the microswitches.

# TROUBLESHOOTING

## Safety switch

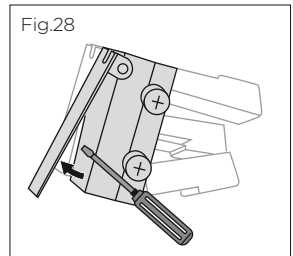
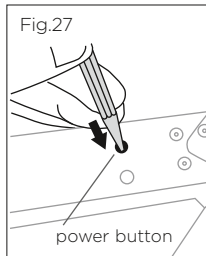
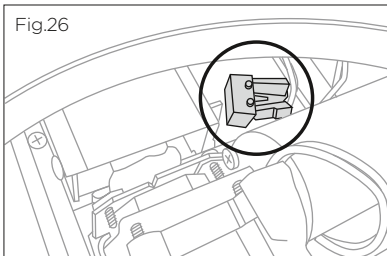
A safety switch, which stops the downdraft unit from rising up for safety reasons, will also stop the rise if it moves into the locked or “activated” position during shipment. By applying a simple turn with pliers on the main lifting screw the downdraft unit will rise by few millimeters releasing the safety switch.

If this does not work, these steps will put the safety switch in the “deactivated” or unlocked position to complete the installation.

### Please perform these steps before proceeding with normal installation:

- ① Temporarily connect the power by following the ‘Electrical connections’ instruction on page 21.
- ② Locate the safety switch by looking through the hole in the 10” (254 mm) remote blower connection plate on the front of the downdraft unit. This switch is the front switch in the pair of switches on the bottom of the downdraft unit, in front of lower limit switch (Fig.26).
- ③ Press and hold the power button (with a pointy object) on the top right of the downdraft unit Fig.27.
- ④ While holding the power button, place a small flat head screwdriver underneath the safety switch to disengage the lever from the safety switch button Fig.28. By pulling this lever away from the depressed safety switch button, this will return the downdraft unit to normal operation and the downdraft unit will now raise and lower normally.
- ⑤ Test the downdraft unit by pressing the power button on top of the downdraft unit for several raise and lower cycles to ensure the downdraft unit is operating without holding the safety switch.
- ⑥ Disconnect the power and proceed with the rest of the steps to install the product per the installation instructions on page 14.

These steps should only be required once and the safety switch will operate normally from then on.



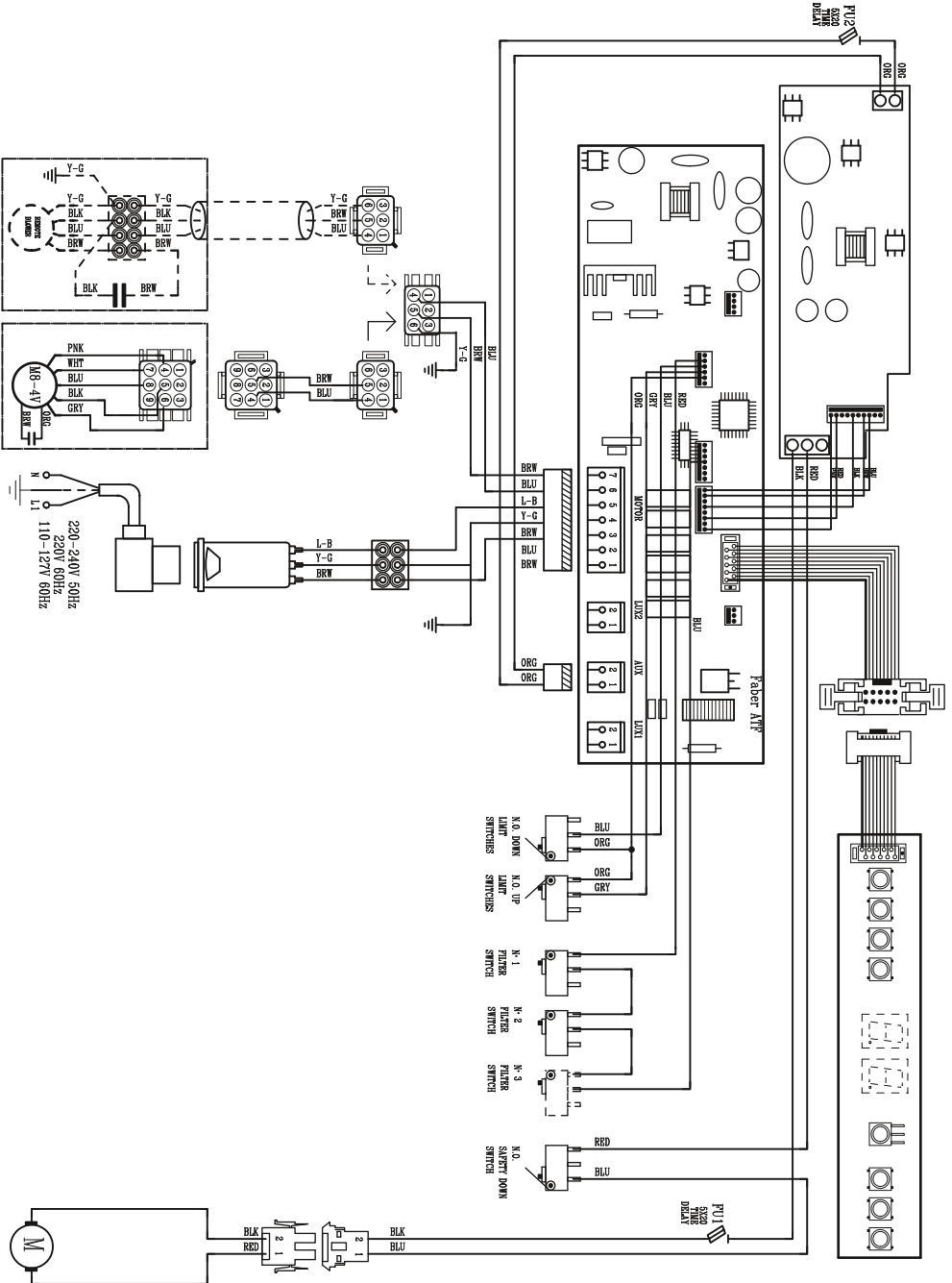
---

<b>ITEM</b>	<b>REFERENCE NUMBER</b>
Internal blower	HBD600I
Remote blower model	HBD1200E
Filter HD30	290317
Filter HD36	290334

---

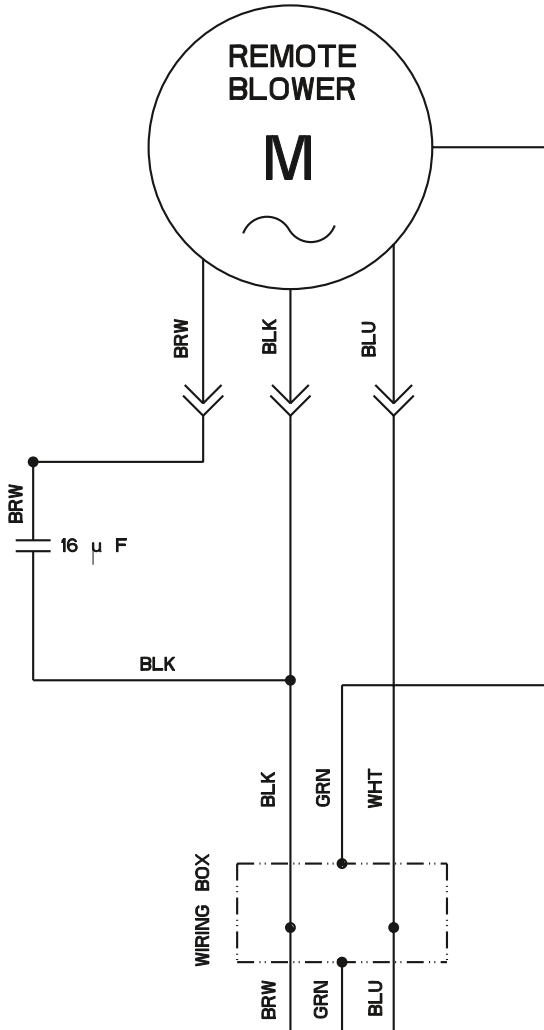
# WIRING DIAGRAM

## Downdraft unit wiring diagram





## Remote blower wiring diagram



## LIMITED WARRANTY

---

When you purchase any new DCS by Fisher & Paykel ventilation product for personal or consumer use you automatically receive a two year limited warranty covering parts and labor for servicing within the 48 mainland United States, Hawaii, Washington DC and Canada. In Alaska the limited warranty is the same except that you must pay to ship the product to the service shop or the service technician's travel to your home. Products for use in Canada must be purchased through the Canadian distribution channel to ensure regulatory compliance.

If the product is installed in a motor vehicle, boat or similar mobile facility, you receive the same two year limited warranty, but you must bring the vehicle, boat or mobile facility containing the product to the service shop at your expense or pay the service technician's travel to the location of the product.

There is no warranty for commercial purchase or use.

### **Fisher & Paykel undertakes to:**

Repair without cost, with limited exceptions described herein, to the owner either for material or labor any part of the product, the serial number of which appears on the product, which is found to be defective during the term of the two year limited warranty.

In Alaska, you must pay to ship the product to the service shop or for the service technician's travel to your home. If the product is installed in a motor vehicle, boat or similar mobile facility, you must bring it to the service shop at your expense or pay for the service technician's travel to the location of the product. If we are unable to repair a defective part of the product after a reasonable number of attempts, at our option we may replace the part or the product, or we may provide you a full refund of the purchase price of the product (not including installation or other charges).

This warranty extends to the original purchaser and any succeeding owner of the product during the term of the warranty for products purchased for ordinary single-family home use.

All service under this limited warranty shall be provided by Fisher & Paykel or its Authorized Service Agent during normal business hours.

### **How long does this limited warranty last?**

Our liability under the two year limited warranty expires two years from the date of purchase of the product by the first consumer.

Our liability under any implied warranties, including the implied warranty of merchantability (an unwritten warranty that the product is fit for ordinary use) expires two years (or such longer period as required by applicable law) from the date of purchase of the product by the first consumer. Some States do not allow limitations on how long an implied warranty lasts, so this limit on implied warranties may not apply to you. Fisher & Paykel will honor any warranty required by the law of the particular country or state in which the product is sold.

**This limited warranty does not cover:**

- (A) Service calls that are not related to any defect in the product. The cost of a service call will be charged if the problem is not found to be a defect of the product. For example:
  - ① Correcting faulty installation of the product.
  - ② Instructing you how to use the product.
  - ③ Replacing house fuses, resetting circuit breakers, correcting house wiring or plumbing, or replacing light bulbs.
  - ④ Correcting fault(s) caused by the user.
  - ⑤ Changing the set-up of the product.
  - ⑥ Unauthorized modifications of the product.
  - ⑦ Noise or vibration that is considered normal, for example, fan sounds/noises or user warning beeps.
  - ⑧ Correcting damage caused by pests, for example, rats, cockroaches, etc.
- (B) Defects caused by factors other than:
  - ① Normal domestic use or
  - ② Use in accordance with the product's user guide.
- (C) Defects to the product caused by accident, neglect, misuse, fire, flood or 'act of God'.
- (D) The cost of repairs carried out by non-authorized repairers or the cost of correcting such unauthorized repairs.
- (E) Travel fees and associated charges incurred when the product is installed in a location with limited or restricted access (e.g. airplane flights, ferry charges, isolated geographic areas).
- (F) Normal recommended maintenance as set out in the product's user guide.
- (G) Filter replacement except in the case of faulty parts or materials within the filter cartridge.
- (H) Damage (including water damage) caused by faulty installation, plumbing or wiring.

This product has been designed for use in a normal domestic (residential) environment. This product is not designed for commercial use (whatsoever). Any commercial use by a customer will terminate this product's limited warranty.

If you have an installation problem contact your dealer or installer. You are responsible for providing adequate electrical, exhausting and other connection facilities.

Fisher & Paykel will not be responsible for consequential or incidental damages (including, without limitation, the cost of repairing or replacing other property damaged if the product is defective or any of your expenses caused if the product is defective). Some States do not allow the exclusion or limitation of incidental or consequential damages, so the above limitation or exclusion may not apply to you.

# LIMITED WARRANTY

---

## How to get service

Please read your user guide. If you then have any questions about operating the product, need the name of your local Fisher & Paykel Authorized Service Agent, or believe the product is defective and wish service under this limited warranty, please contact your dealer or call us at:

### USA and Canada

TOLL FREE **1.888.9.FNP.USA (1.888.936.7872)**

or use the link at: **[www.dcsappliances.com/customer-care/service-my-product/](http://www.dcsappliances.com/customer-care/service-my-product/)**

You may be required to provide reasonable proof of the date of purchase of the product before the product will be serviced under this limited warranty.

### No other warranties

This limited warranty is the complete and exclusive agreement between you and Fisher & Paykel regarding any defect in the product and no other express warranty has been made or will be made on behalf of Fisher & Paykel. None of our employees (or our Authorized Service Agents) are authorized to make any addition or modification to this limited warranty.

Warrantor: Fisher & Paykel Appliances, Inc.

If you need further help concerning this limited warranty, or need to make a claim under this warranty, please call us at the above number, or write to:

Fisher & Paykel Appliances, Inc.  
695 Town Center Drive, Suite 180  
Costa Mesa  
CA 92626

This limited warranty gives you specific legal rights, and you may also have other rights which vary from country to country and from state to state.

Complete and keep for safe reference:

Model \_\_\_\_\_

Serial No. \_\_\_\_\_

Purchase Date \_\_\_\_\_

Purchaser \_\_\_\_\_

Dealer \_\_\_\_\_

Suburb \_\_\_\_\_

Town \_\_\_\_\_

Country \_\_\_\_\_





---

Introduction	39
Consignes de sécurité et mises en garde	40
Exigences relatives à l'évacuation	42
Exigences électriques	43
Instructions d'installation	44
Instructions d'utilisation	61
Nettoyage et entretien	62
Dépannage	63
Pièces et accessoires	65
Schéma de câblage	66
Garantie limitée	68

---

## **IMPORTANT!**

### **CONSERVEZ CES INSTRUCTIONS**

Les modèles illustrés dans ce guide d'utilisation peuvent ne pas être disponibles dans tous les pays et sont sujets à modifications sans préavis. Pour les plus récentes informations sur la disponibilité des modèles et des caractéristiques dans votre pays, veuillez visiter notre site Web [www.dcsappliances.com](http://www.dcsappliances.com) ou contacter votre détaillant DCS par Fisher & Paykel local.

### **Enregistrement**

Enregistrez votre produit afin que nous puissions vous offrir un service de la meilleure qualité possible.

Pour enregistrer votre produit, visitez notre site Web : [www.dcsappliances.com](http://www.dcsappliances.com)





Nous vous remercions d'avoir acheté ce produit DCS par Fisher & Paykel. Ce Guide d'installation, d'utilisation et d'entretien contient des informations très utiles sur la façon adéquate d'installer, de faire fonctionner et d'effectuer l'entretien de votre nouveau système de ventilation à aspiration descendante, qui vous permettront d'en profiter en toute sécurité pendant de nombreuses années.

Veillez enregistrer votre produit pour bénéficier d'un meilleur service. Sur notre site Web [www.dcsappliances.com](http://www.dcsappliances.com), sélectionnez 'Customer Care' ('Service à la clientèle') dans la page d'accueil, puis sélectionnez 'Product Registration' ('Enregistrement de produit'). De plus, conservez ce manuel à portée de main pour obtenir des réponses aux questions qui peuvent survenir pendant l'utilisation de votre nouvel appareil.

Si vous avez des questions au sujet de notre produit, communiquez avec un représentant du service à la clientèle de DCS par téléphone : 1-888-936-7872, ou par courriel : [support@dcsappliances.com](mailto:support@dcsappliances.com)

Remarque : veuillez noter le numéro de modèle, le code et le numéro de série sur cette page pour référence ultérieure.

Numéro de modèle du système de ventilation \_\_\_\_\_

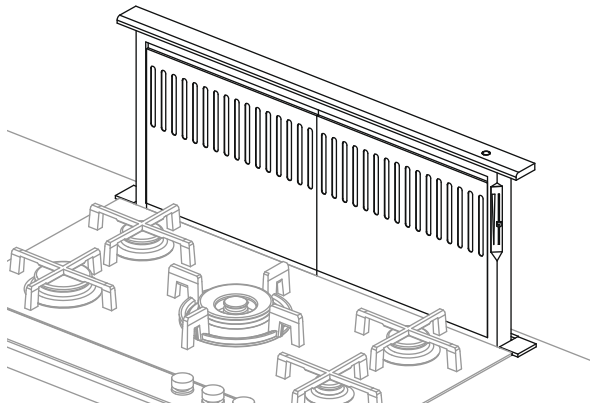
Code \_\_\_\_\_ Numéro de série \_\_\_\_\_

Numéro de modèle du ventilateur \_\_\_\_\_

Code \_\_\_\_\_ Numéro de série \_\_\_\_\_

Remarque : inspectez le produit pour vous assurer qu'aucun dommage n'a été causé lors de l'expédition. En cas de dommage, communiquez avec l'expéditeur pour effectuer une demande d'indemnisation. Fisher & Paykel n'est pas responsable des dommages causés lors de l'expédition dans les cas où Fisher & Paykel n'est pas l'expéditeur.

NE METTEZ PAS au rebut les matériaux d'emballage (boîte, palette, sangles) avant d'avoir terminé l'inspection de l'appareil.



### ⚠ MISE EN GARDE!



**35 lb (16 kg)**  
(HC30)

**44 lb (20 kg)**  
(HC36)

**11 lb (5 kg)**  
(HBD600I)

**33 lb (15 kg)**  
(HBD1200E)

Risque de poids excessif

L'appareil est lourd. Lors de l'installation de l'appareil, veuillez vous assurer de porter une attention appropriée afin d'éviter toute blessure. Le poids du produit est de 35 lb (16 kg) HC30 / 44 lb (20 kg) HC36 / 11 lb (5 kg) HBD600I / 33 lb (15 kg) HBD1200E

### ⚠ MISE EN GARDE!



Risque de choc électrique

Déconnectez toujours l'appareil de l'alimentation électrique avant de procéder à l'entretien ou à des réparations.

L'installation et le câblage électrique doivent être réalisés par une ou plusieurs personne(s) qualifiée(s), en conformité avec tous les codes et toutes les normes applicables, notamment en ce qui concerne les constructions ignifuges.

Le fait de ne pas respecter ces consignes peut causer la mort, un choc électrique, un incendie ou des blessures.

## CONSIGNES DE SÉCURITÉ IMPORTANTES

VEUILLEZ LIRE TOUTES CES CONSIGNES AVANT D'INSTALLER OU UTILISER CET APPAREIL. Les manuels sont également disponibles sur notre site Web [www.dcsappliances.com](http://www.dcsappliances.com)

- **ATTENTION** : Utiliser uniquement pour la ventilation générale. Ne pas utiliser pour l'évacuation de matières ou de vapeurs dangereuses ou explosives.
- **MISE EN GARDE!** Pour réduire les risques d'incendie, de choc électrique ou de blessures, respectez ces consignes :
  - Utilisez cet appareil uniquement de la manière prévue par le fabricant. Pour toute question, communiquez avec le fabricant. Pour une utilisation résidentielle uniquement.
  - Avant de procéder à l'entretien ou au nettoyage de l'appareil, interrompez l'alimentation au panneau électrique et verrouillez le dispositif d'interruption de courant pour éviter que l'alimentation puisse être rétablie accidentellement. S'il n'est pas possible de verrouiller le dispositif d'interruption de courant, affichez un avertissement bien visible sur le panneau électrique, par exemple à l'aide d'une étiquette.
  - L'installation et le câblage électrique doivent être réalisés par une ou plusieurs personne(s) qualifiée(s), en conformité avec tous les codes et toutes les normes applicables, notamment en ce qui concerne les constructions ignifuges.

- Pour éviter le refoulement d'air, une quantité d'air suffisante est nécessaire pour assurer une bonne combustion et l'évacuation des gaz à travers le carneau (cheminée) de l'appareil. Suivez les consignes du fabricant de l'appareil de cuisson ainsi que les normes de sécurité comme celles publiées par la National Fire Protection Association (NFPA) et la American Society for Heating, Refrigeration and Air Conditioning Engineers (ASHRAE), ainsi que les normes locales.
- Au moment de couper ou percer le mur ou le plafond, veillez à ne pas endommager le câblage électrique ou les conduites qui y sont dissimulés.
- Les ventilateurs avec conduits doivent toujours évacuer l'air vers l'extérieur.
- Cet appareil doit être mis à la terre
- **ATTENTION** : Pour réduire les risques d'incendie et évacuer l'air adéquatement, assurez-vous d'évacuer l'air vers l'extérieur - N'évacuez pas l'air dans les murs, plafonds, greniers, vides sanitaires ou garages.
- **MISE EN GARDE** : Pour réduire les risques d'incendie, utilisez uniquement des conduits en métal.
- **REMARQUE** : Convient à l'utilisation avec des dispositifs de contrôle de vitesse à semi-conducteurs.
- **ATTENTION** : Pour réduire les risques d'incendie et de choc électrique, installez cet appareil uniquement avec des modèles de ventilateurs à distance d'un maximum de 2,8 A, qu'il est possible d'utiliser avec des dispositifs de contrôle de vitesse à semi-conducteurs.
- **MISE EN GARDE** : Pour réduire les risques de feu de graisse sur la cuisinière :
  - Ne laissez jamais les éléments de surface sans surveillance lors de l'utilisation de réglages élevés. Les débordements produisent de la fumée et des déversements de matières grasses qui peuvent s'enflammer. Chauffez les huiles lentement, à feu doux ou moyen.
  - Allumez toujours la hotte lorsque vous cuisinez à feu vif ou faites flamber des aliments (par ex. : crêpes Suzette, cerise jubilé, steak au poivre flambé).
  - Nettoyez fréquemment les ventilateurs. Ne laissez jamais la graisse s'accumuler sur le ventilateur ou le filtre.
  - Utilisez des récipients de taille appropriée. Utilisez toujours des plats de cuisson adaptés à la taille de l'élément de surface.
- **MISE EN GARDE** : Pour réduire les risques de blessures en cas de feu de graisse sur la cuisinière, respectez ces consignes\* :
  - **ÉTOUFFEZ LES FLAMMES** avec un couvercle hermétique, une plaque à biscuits ou un plateau métallique, puis éteignez le brûleur. **FAITES ATTENTION DE NE PAS VOUS BRÛLER**. Si les flammes ne s'éteignent pas immédiatement, **ÉVACUEZ LA PIÈCE ET APPELEZ LE SERVICE D'INCENDIE**.
  - **NE PRENEZ JAMAIS UN RÉCIPIENT QUI EST EN FLAMMES** - vous pourriez vous brûler.
  - **N'UTILISEZ PAS DE L'EAU**, ni de linges ou serviettes humides, car cela pourrait causer une violente explosion de vapeur.
  - Utilisez un extincteur **UNIQUEMENT** si :
    - Vous savez qu'il s'agit d'un extincteur de classe ABC et vous savez vous en servir.
    - Le feu est peu important et localisé dans la zone où il a commencé.
    - Vous avez appelé le service d'incendie.
    - Vous pouvez combattre le feu en ayant le dos tourné vers une sortie.
- **MISE EN GARDE** : Débranchez ou déconnectez l'appareil de l'alimentation électrique avant de procéder à l'entretien ou au nettoyage.
- **MISE EN GARDE** : Toutes les ouvertures dans le mur et le plancher doivent être scellées aux endroits où la hotte de ventilation est installée.

## LISEZ ET CONSERVEZ CES INSTRUCTIONS

\* Tirés des conseils sur la sécurité en matière d'incendie de cuisine de la NFPA.

## EXIGENCES RELATIVES À L'ÉVACUATION

Déterminez la méthode d'évacuation la mieux adaptée à votre application. Le conduit peut être prolongé au travers du mur ou du toit.

La longueur de conduit et le nombre de coudes doivent être limités au minimum afin d'assurer un rendement efficace. La taille du conduit doit être uniforme. N'installez pas deux coudes ensemble. Utilisez du ruban adhésif en toile pour sceller tous les joints dans le système de conduit. Utilisez un produit de calfeutrage pour sceller le mur extérieur ou l'ouverture dans le plancher autour du capuchon.

L'utilisation d'un conduit flexible n'est pas recommandée. Si vous devez utiliser un conduit flexible, chaque pied de conduit flexible équivaut à deux pieds de conduit en métal droit pour le calcul de longueur du conduit. Par conséquent, un coude flexible équivaut à deux coudes standard.

Avant de découper les ouvertures, assurez-vous qu'il y ait suffisamment d'espace pour le conduit d'évacuation dans le mur ou le plancher. Ne découpez pas de solive ou de montant, à moins que cela ne soit absolument nécessaire. S'il est nécessaire de découper une solive ou un montant, vous devrez construire une structure de soutien. Pour de meilleurs résultats, les ventilateurs internes doivent utiliser un conduit circulaire de 6 po (152 mm) et les ventilateurs à distance doivent être convertis le plus rapidement possible au format de conduit circulaire de 10 po (254 mm). Lors de l'utilisation d'un conduit de petite taille, vous devez le convertir le plus rapidement possible au format circulaire de 10 po (254 mm).

### **MISE EN GARDE!**

**Pour réduire les risques d'incendie, utilisez uniquement des conduits en métal.**

### **ATTENTION!**

**Pour réduire les risques d'incendie et évacuer l'air adéquatement, assurez-vous d'évacuer l'air vers l'extérieur – n'évacuez pas l'air dans les murs, plafonds, greniers, vides sanitaires ou garages.**

### **Installations dans les régions froides (pièces non incluses)**

Le système de ventilation doit comporter un clapet anti-refoulement d'air supplémentaire pour minimiser l'entrée de courant d'air froid, ainsi qu'un isolant thermique non métallique pour réduire la transmission des températures extérieures. Le clapet doit être situé sur le côté exposé à l'air froid de l'isolant thermique. L'isolant doit être installé aussi près que possible de l'endroit où le système de ventilation pénètre dans la partie chauffée de la maison.



### **MISE EN GARDE!**

- **Le système de ventilation DOIT se terminer à l'extérieur de la maison.**
- **NE terminez PAS le conduit dans un grenier ou tout autre espace clos.**
- **N'utilisez PAS de capuchons muraux de 4 po (102 mm) conçus pour les appareils de lessive.**
- **L'utilisation d'un conduit de type flexible n'est pas recommandée.**
- **N'obstruez PAS la circulation d'air de combustion et de ventilation.**
- **Le non-respect des exigences relatives à l'évacuation peut entraîner un incendie.**

Cet appareil ne doit être utilisé qu'avec une alimentation électrique de 120 V CA/60 Hz, sur un circuit dédié de 15 ampères avec fusible. Nous vous recommandons d'utiliser un fusible à fusion lente ou un disjoncteur. Le fusible doit répondre aux exigences des codes locaux et être conforme aux caractéristiques électriques de cet appareil, indiquées sur la plaque signalétique/de numéro de série apposée à l'intérieur de l'appareil, près du compartiment de câblage. CET APPAREIL DOIT ÊTRE RACCORDÉ UNIQUEMENT À L'AIDE DE FIL DE CUIVRE. Les calibres de fil doivent être conformes aux exigences de la norme ANSI/NFPA 70 de la dernière édition du Code national de l'électricité, ainsi qu'à tous les codes et règlements locaux en vigueur. Le calibre de fil et les raccordements doivent être conformes aux caractéristiques de l'appareil. Des copies de la norme mentionnée ci-dessus peuvent être obtenues de :

National Fire Protection Association  
Batterymarch Park  
Quincy, Massachusetts 02269

Cet appareil doit être raccordé directement au sectionneur à fusibles (ou au disjoncteur) au moyen d'un câble de cuivre flexible à armature ou gaine non métallique. Prévoyez une longueur de câble suffisante pour qu'il soit possible de déplacer l'appareil en cas de réparation. Un raccord de conduit homologué UL de ½ po (12,7 mm) doit être utilisé à chaque extrémité du câble d'alimentation électrique (au niveau de l'appareil et de la boîte de jonction).

Pour effectuer le raccordement électrique, découpez un trou de 1 ¼ po (32 mm) dans le mur. Si le trou est découpé dans le bois, vous devrez le sabler jusqu'à ce qu'il soit lisse. Si le trou est découpé dans le métal, il devra comporter un œillet.

### **IMPORTANT!**

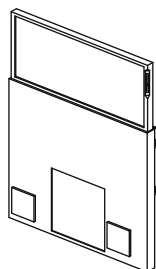
- **Utilisez cet appareil uniquement de la manière prévue par le fabricant. Pour toute question, communiquez avec le fabricant.**
- **Avant de procéder à l'entretien ou au nettoyage de l'appareil, interrompez l'alimentation au panneau électrique et verrouillez le dispositif d'interruption de courant pour éviter que l'alimentation puisse être rétablie accidentellement. S'il n'est pas possible de verrouiller le dispositif d'interruption de courant, apposez un avertissement bien visible sur le panneau électrique, par exemple à l'aide d'une étiquette.**

### **⚠ MISE EN GARDE!**

- **Cette unité d'aspiration descendante nécessite une mise à la terre électrique.**
- **Si la conduite d'eau froide comporte des sections en plastique, des joints non métalliques ou d'autres matériaux, NE l'utilisez PAS pour la mise à la terre.**
- **NE reliez PAS la mise à la terre à une conduite de gaz.**
- **N'installez PAS de fusible dans le circuit neutre ou de mise à la terre. L'installation d'un fusible dans le circuit neutre ou de mise à la terre pourrait entraîner un choc électrique.**
- **Contactez un électricien qualifié si vous n'êtes pas certain que l'unité d'aspiration descendante est correctement mise à la terre.**
- **Le non-respect des exigences électriques peut entraîner un incendie.**

# INSTRUCTIONS D'INSTALLATION

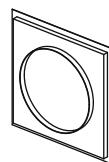
## Unité d'aspiration descendante - Contenu de l'emballage



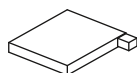
Unité d'aspiration descendante  
(1)



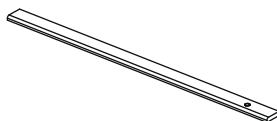
Instructions d'installation  
Guide d'utilisation  
(1)



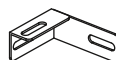
Plaque de raccordement de 10 po (254 mm) pour ventilateur à distance  
(1)



Capuchon d'extrémité  
(2)



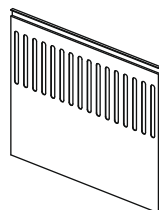
Garniture supérieure  
(1)



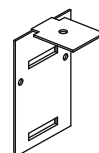
Pièce de fixation pour dessous de comptoir  
(2)



Pièce de fixation avec patte de soutien  
(2)



Filtre à graisses  
(2)



Pièce de fixation pour dessus de comptoir  
(2)



Écrou de  $\frac{7}{32}$  po (7 mm)  
(2)



Vis de  $\frac{5}{16}$  po (5 mm)  
(2)

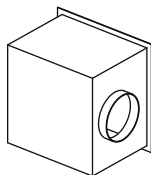


Vis de  $\frac{5}{16}$  po (8 mm)  
(6)

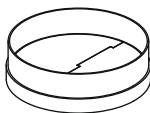


Vis autotaraudeuse de  $\frac{1}{2}$  po (15 mm)  
(6)

## Ventilateur interne (HBD600I) - Contenu de l'emballage

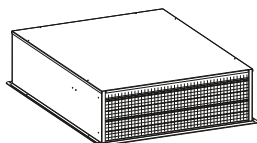


Boîtier de ventilateur interne  
(1)

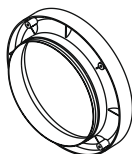


Clapet anti-refoulement d'air de 6 po (152 mm) de diamètre  
(1)

## Ventilateur à distance (HBD1200E) - Contenu de l'emballage



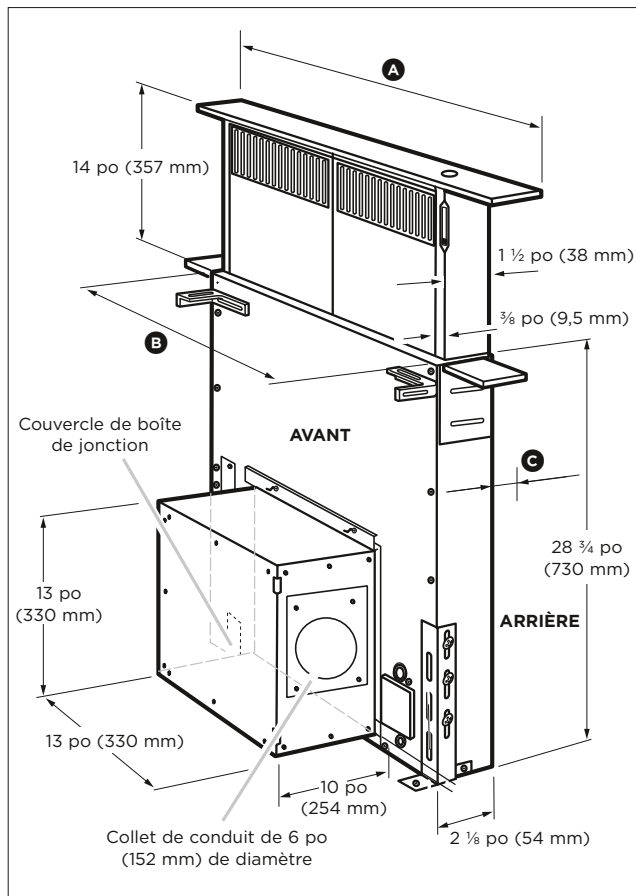
Ventilateur à distance  
(1)



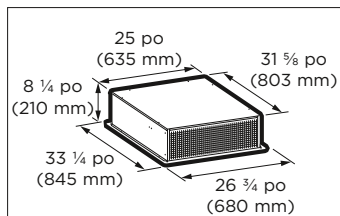
Plaque avec collet pour conduit  
(1)

# INSTRUCTIONS D'INSTALLATION

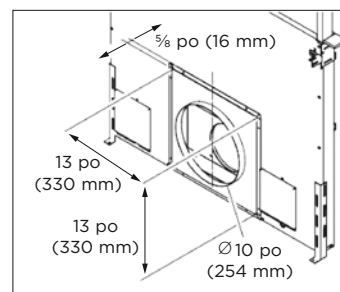
## Dimensions du produit



Unité d'aspiration descendante et boîtier de ventilateur interne (HBD600I), qu'il est également possible d'installer à l'arrière de l'appareil



Ventilateur à distance (HBD1200E)



Plaque de raccordement pour ventilateur à distance (qu'il est également possible d'installer à l'arrière de l'appareil)

DIMENSIONS DU PRODUIT	HD30	HD36
	pouces (mm)	pouces (mm)
Ⓐ Largeur de la garniture supérieure	30 po (762)	36 po (914)
Ⓑ Largeur du produit	27 po (686)	33 po (838)
Ⓒ Distance minimale de l'arrière de l'armoire ou du mur	1 po (25)	1 po (25)
Longueur du cordon d'alimentation	n.d.	n.d.

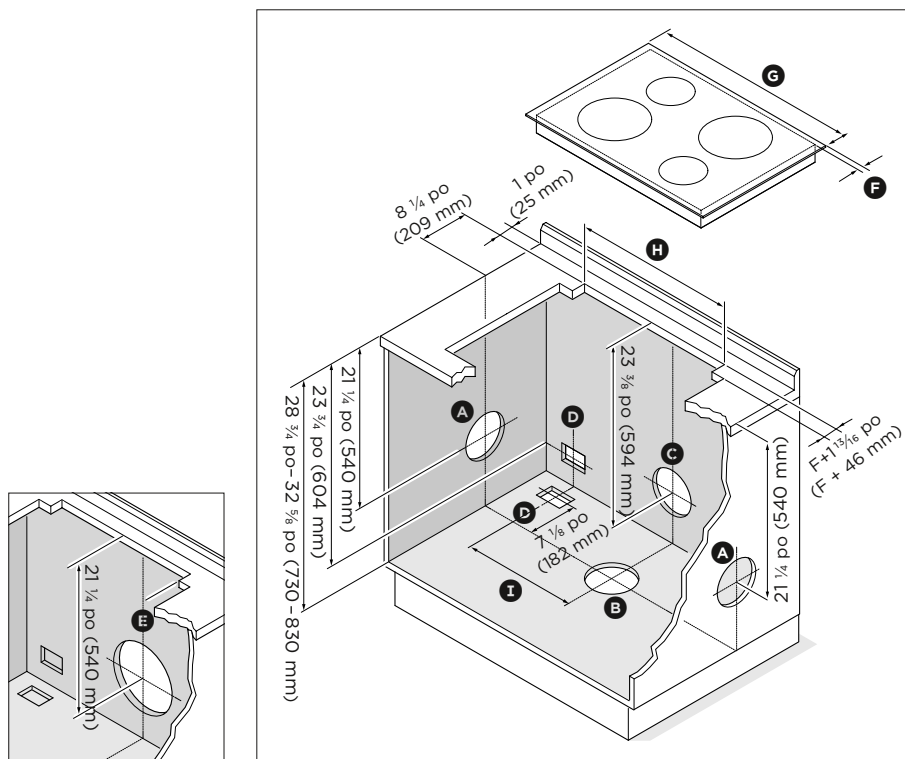
## IMPORTANT!

Les dimensions réelles du produit peuvent varier de  $\pm \frac{3}{32}$  po (2 mm).

Veuillez lire toutes les instructions avant d'installer le système de ventilation à aspiration descendante.



## Dimensions de l'ouverture dans l'armoire



### EMPLACEMENT DE L'OUVERTURE

- (A) Conduit gauche/droit de 6 po (152 mm) du ventilateur interne
- (B) Conduit inférieur de 6 po (152 mm) du ventilateur interne
- (C) Conduit arrière de 6 po (152 mm) du ventilateur interne
- (D) Ouverture pour cordon d'alimentation du ventilateur à distance, dans le bas ou à l'arrière
- (E) Conduit arrière de 10 po (254 mm) du ventilateur à distance
- (F) Surface de cuisson en surplomb

DIMENSIONS D'INSTALLATION	HD30	HD36
	pouces (mm)	pouces (mm)
(G) Largeur minimale de la surface de cuisson	28 po (711)	34 po (864)
(H) Largeur de l'ouverture pour unité d'aspiration descendante	27 1/2 po (699)	33 1/2 po (851)
(I) Largeur de l'ouverture pour cordon d'alimentation du ventilateur à distance, à partir du centre	9 po (230)	12 po (306)

## **MISE EN GARDE!**

**Pour réduire les risques d'incendie, utilisez uniquement des conduits en métal. N'utilisez pas de conduits en plastique flexible.**

## **ATTENTION!**

**Pour réduire les risques d'incendie et évacuer l'air adéquatement, assurez-vous d'évacuer l'air vers l'extérieur – N'évacuez pas l'air dans les murs, plafonds, greniers, vides sanitaires ou garages.**

### **Ventilateurs compatibles avec le système de ventilation à aspiration descendante**

- Modèle de ventilateur interne HBD600I.
- Modèle de ventilateur à distance HBD1200E ou modèles de ventilateur à distance d'un maximum de 2,8 A.
- Cette unité d'aspiration descendante peut être utilisée uniquement avec un ventilateur DCS interne ou à distance indiqué ci-dessus.

### **Surfaces de cuisson compatibles avec le système de ventilation à aspiration descendante**

Le système de ventilation à aspiration descendante est conçu pour être installé avec ces appareils à usage résidentiel : surfaces de cuisson, combinaisons de surfaces de cuisson/fours, cuisinières non encastrées SANS dossier et tables de cuisson. Il n'est pas recommandé d'utiliser ce produit avec des cuisinières qui pourraient nécessiter un espace supplémentaire à l'arrière pour l'évacuation OU des cuisinières non encastrées AVEC dossier. Consultez toutes les instructions d'installation du produit pour connaître les dimensions et mesures de dégagement adéquates.

## **IMPORTANT!**

**Assurez-vous qu'il soit possible d'utiliser la surface de cuisson installée avec un système de ventilation à aspiration descendante.**

### **Exigences relatives à l'évacuation**

Veillez porter une attention particulière à assurer la conformité à toutes les réglementations relatives à l'évacuation de l'air.

Pour une efficacité optimale, utilisez le trajet de conduit le plus court et le plus droit possible, ainsi qu'un conduit rigide ou semi-rigide afin d'atténuer le bruit et augmenter la circulation d'air. Pour de meilleurs résultats, raccordez les ventilateurs internes à un conduit circulaire de 6 po (152 mm) et les ventilateurs à distance à un conduit circulaire de 10 po (254 mm). Un conduit en métal flexible doit uniquement être utilisé en dernier recours (dans des installations difficiles); en pareil cas, veillez à ce qu'il soit aussi droit, lisse et allongé que possible.

Avant de découper les ouvertures, assurez-vous qu'il y ait suffisamment d'espace pour le conduit d'évacuation dans le mur ou le plancher. Ne découpez pas de solive ou de montant, à moins que cela ne soit absolument nécessaire. S'il est nécessaire de découper une solive ou un montant, vous devrez construire une structure de soutien.

## **ATTENTION!**

**Pour réduire les risques d'incendie et de choc électrique, installez cet appareil uniquement avec des modèles de ventilateurs à distance d'un maximum de 2,8 A, qu'il est possible d'utiliser avec des dispositifs de contrôle de vitesse à semi-conducteurs.**

### Planifiez le trajet de conduit

Le ventilateur interne peut être installé à l'avant ou l'arrière de l'unité d'aspiration descendante, avec un conduit orienté dans l'une de ces directions : gauche, droite, bas, avant ou arrière. Le ventilateur à distance peut être raccordé à un conduit orienté vers le bas, à partir de l'avant ou l'arrière de l'unité d'aspiration descendante.

Dans les installations où le ventilateur est situé à l'arrière de l'unité d'aspiration descendante, il est recommandé de prévoir une porte ou ouverture d'accès permettant d'atteindre la partie inférieure de l'unité d'aspiration descendante ainsi que l'emplacement du boîtier de câblage et du ventilateur, en cas de réparation.

### Calculez la longueur de conduit

La longueur de conduit ne doit pas dépasser 55 pieds équivalents (16,7 m) pour les conduits circulaires de 6 po (152 mm) ou 75 pieds équivalents (22,9 m) pour les conduits circulaires de 10 po (254 mm). Calculez la longueur de conduit en ajoutant la valeur en pieds équivalents indiquée dans le tableau ci-dessous pour chaque section de conduit du système complet. Lors de l'utilisation d'un conduit en métal flexible, chaque pied (312 mm) de conduit en métal flexible équivaut à deux pieds (617 mm) de conduit en métal droit pour le calcul de longueur du conduit.

Pour de meilleurs résultats, utilisez un conduit de taille uniforme avec un maximum de trois coudes à 90°. Un minimum de 24 po (607 mm) de conduit droit est requis entre les coudes, lorsque plusieurs coudes sont utilisés. Il est recommandé d'installer un conduit circulaire plutôt qu'un conduit rectangulaire, plus particulièrement si des coudes sont nécessaires. Les conduits rectangulaires doivent être convertis le plus rapidement possible au format circulaire d'un minimum de 6 po (152 mm) pour les ventilateurs internes et de 10 po (254 mm) pour les ventilateurs à distance.

LONGUEUR ÉQUIVALENTE	
Coude à 45°	5 pi (1,5 m)
Coude à 90°	7 pi (2,1 m)
Coude plat à 90°	12 pi (3,7 m)
Capuchon mural	0 pi (0,0 m)

EXEMPLE DE CALCUL	
Conduit droit de 9 pi	9 pi (2,8 m)
2 coudes à 90°	14 pi (4,3 m)
Capuchon mural	0 pi (0,0 m)
Système complet	23 pi (7,0 m)

## MISE EN GARDE!

- Cet appareil est lourd. Il doit être déballé et installé par deux personnes.
- L'installation et le câblage électrique doivent être réalisés par une ou plusieurs personne(s) qualifiée(s), en conformité avec tous les codes et toutes les normes applicables.

## IMPORTANT!

- Portez des gants pour vous protéger des rebords tranchants.
- Pour vous préparer à découper l'ouverture de l'unité d'aspiration descendante :
  - Dessinez les ouvertures pour la surface de cuisson et l'unité d'aspiration descendante sur le comptoir avant d'effectuer les coupes.
  - Vérifiez qu'il y a suffisamment d'espace dans l'armoire pour la surface de cuisson et l'unité d'aspiration descendante. Le fait de ne pas respecter ces consignes peut entraîner des dommages au comptoir.
- Pour éviter d'endommager les roulements du moteur et les ailettes, gardez les vaporisateurs à cloison sèche, poussières de construction, etc. à distance du ventilateur.

Le fabricant n'est pas responsable des dommages résultant du non-respect de ces instructions.

### ① Préparation pour l'installation

Avant d'installer votre système de ventilation à aspiration descendante :

- Veuillez lire attentivement les instructions.
- Déballer l'unité d'aspiration descendante et placez-la sur une surface plane protégée.
- Assurez-vous que la tension (V) et la fréquence (Hz) indiquées sur la plaque signalétique correspondent à la tension et la fréquence sur le site d'installation.
- Vérifiez que la section à proximité de la zone d'installation ne contient aucun câble électrique, tuyau, etc.
- Tenez compte de l'emplacement des armoires et dossierets dans la zone d'installation du système de ventilation à aspiration descendante et de la surface de cuisson. Veillez à ce que la zone d'élévation de l'unité d'aspiration descendante soit exempte d'obstacles. Veuillez également noter que l'efficacité de l'appareil peut être compromise par les courants d'air forts provenant des fenêtres, portes, etc.
- Les surfaces de l'unité d'aspiration descendante peuvent être endommagées pendant l'installation en cas de frottement ou contact avec un outil. Veuillez vous assurer de protéger les surfaces pendant l'installation.
- Marquez temporairement le centre de la surface de cuisson conformément aux informations indiquées dans la section 'Instructions d'installation - Dimensions de l'ouverture'.
- L'unité d'aspiration descendante est installée directement derrière la surface de cuisson. Pour faciliter l'installation, installez d'abord le système de ventilation à aspiration descendante, puis la surface de cuisson.
- Retirez l'emballage en carton de l'ailette du ventilateur.

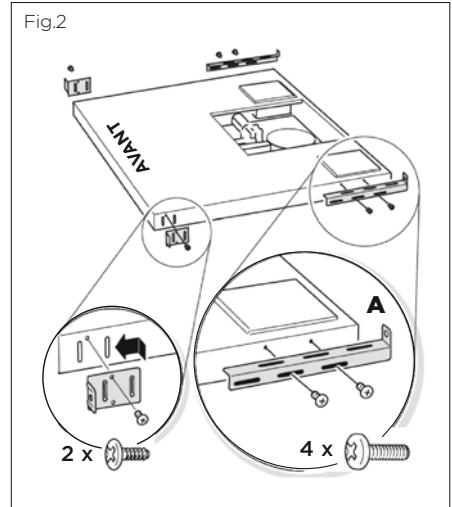
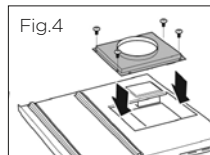
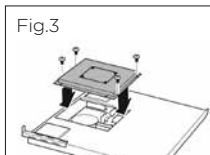
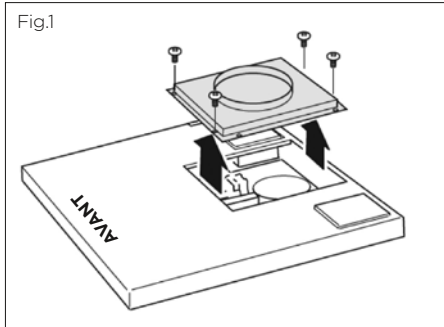
## ② Préparez l'unité d'aspiration descendante pour le ventilateur utilisé

### Ventilateur interne

- Retirez la plaque de raccordement de 10 po (254 mm) pour ventilateur de la partie avant de l'unité d'aspiration descendante (Fig.1).
- Installez les pièces de fixation pour dessus de comptoir à l'aide des deux vis de  $\frac{3}{16}$  po (5 mm) fournies (Fig.2).
- Vissez les pièces de fixation avec patte de soutien sur le côté de l'unité d'aspiration descendante à l'aide de deux vis de  $\frac{5}{16}$  po (8 mm) chacune, **sans serrer complètement les vis**. Les pièces de fixation des côtés gauche et droit sont différentes. Installez-les avec le clip de fixation (**A**) vers le haut.

### Ventilateur à distance

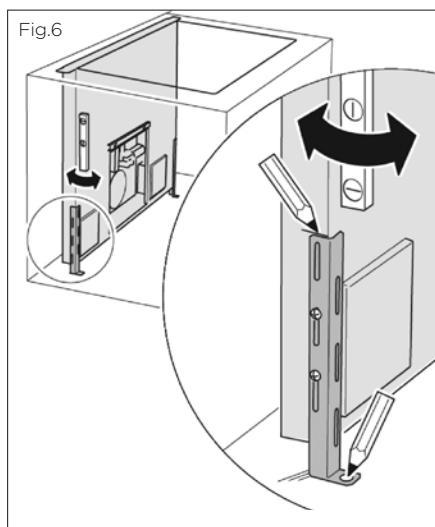
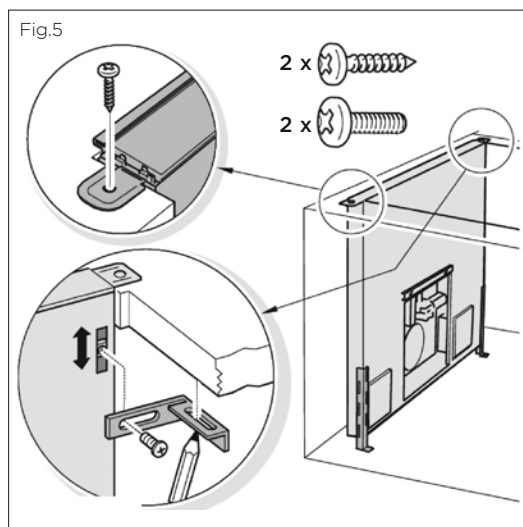
- L'unité d'aspiration descendante est prête à l'installation, avec la plaque de raccordement de 10 po (254 mm) pour ventilateur à distance installée à l'avant et la plaque de recouvrement installée à l'arrière.
- Pour raccorder le ventilateur à distance à la partie arrière de l'unité d'aspiration descendante, changez les plaques (voir Fig.3 et 4).
- Installez les pièces de fixation pour dessus de comptoir à l'aide des deux vis de  $\frac{3}{16}$  po (5 mm) fournies (Fig.2).
- Vissez les pièces de fixation avec patte de soutien sur le côté de l'unité d'aspiration descendante à l'aide de deux vis de  $\frac{5}{16}$  po (8 mm) chacune, **sans serrer complètement les vis**. Les pièces de fixation des côtés gauche et droit sont différentes. Installez-les avec le clip de fixation (**A**) vers le haut.



# INSTRUCTIONS D'INSTALLATION

## ③ Insérez temporairement l'unité d'aspiration descendante dans l'armoire

- Avec l'aide d'une autre personne, soulevez l'unité d'aspiration descendante dans l'ouverture que vous avez préparée dans l'armoire. Les pièces de fixation pour dessus de comptoir doivent reposer sur le comptoir.
- Fixez l'unité d'aspiration descendante au comptoir à l'aide de deux vis de  $1\frac{1}{2}$  po (15 mm).
- Installez les pièces de fixation pour dessous de comptoir afin de procurer un soutien supplémentaire. Commencez par visser sans serrer les pièces de fixation dans les écrous coulissants de l'unité d'aspiration descendante à l'aide des vis de  $\frac{3}{16}$  po (5 mm), puis poussez-les vers le haut, sous le comptoir. Percez les trous de montage dans le comptoir, par le dessous. Vérifiez que les vis de montage sont d'une longueur adéquate et qu'elles ne passeront pas au travers de la surface du comptoir lorsqu'elles seront serrées. **Le fait de ne pas respecter ces instructions peut entraîner des dommages à la surface du comptoir (Fig.5).**
- Mettez de niveau et alignez l'unité d'aspiration descendante dans l'armoire. Poussez la pièce de fixation avec patte de soutien de chaque côté, contre le fond de l'armoire. Marquez le rebord supérieur de la pièce de fixation sur l'unité d'aspiration descendante et les trous de montage sur le fond de l'armoire (Fig.6).



## ④ Retirez l'unité d'aspiration descendante de l'armoire

- Retirez les vis du comptoir et soulevez l'unité d'aspiration descendante pour la sortir de l'armoire.
- Percez les trous de montage marqués dans le fond de l'armoire.
- Serrez les pièces de fixation avec patte de soutien sur l'unité, aux positions marquées préalablement.
- Placez l'unité d'aspiration descendante sur une surface plane protégée pour éviter de l'endommager pendant l'installation du ventilateur.

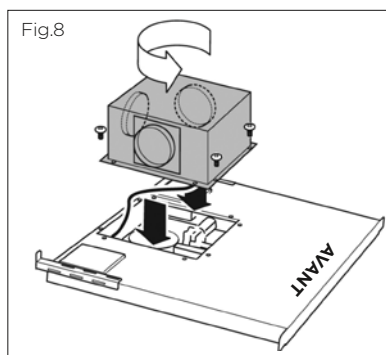
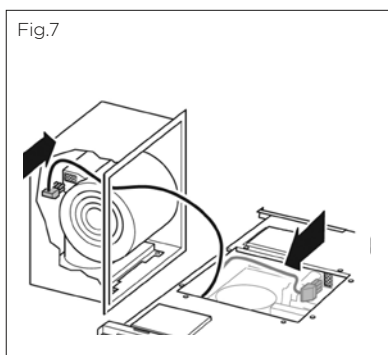
## ⑤ Installez le ventilateur interne ou à distance

- Pour l'installation du ventilateur interne, reportez-vous à la page 53.
  - Pour l'installation du ventilateur à distance, reportez-vous à la page 54.
- Remarque : cette unité d'aspiration descendante peut être utilisée uniquement avec un ventilateur DCS interne ou à distance.

### Installation du ventilateur interne à l'aide d'une des trois options suivantes :

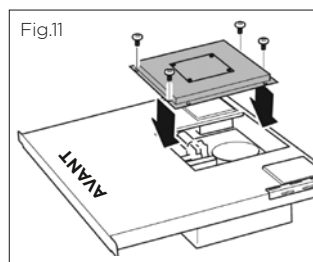
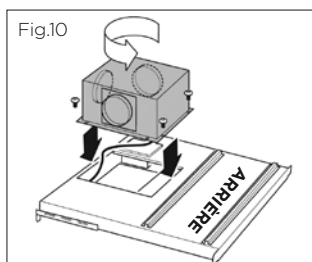
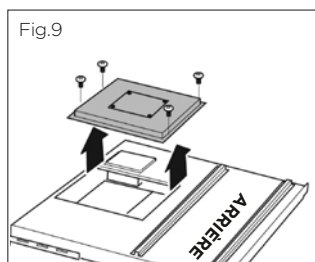
#### Option 1 : Ventilateur interne, installation par l'avant pour évacuation vers la gauche, la droite ou le bas

- Déconnectez le câble à l'intérieur de l'unité d'aspiration descendante. Branchez ce même câble de l'unité d'aspiration descendante au ventilateur interne (Fig.7).
- Tournez le collet de conduit du boîtier de ventilateur interne dans la direction souhaitée : vers la gauche, la droite ou le bas.
- Installez le boîtier de ventilateur interne sur le compartiment à l'aide de quatre vis (Fig.8).
- Poursuivez à la section 'Préparation pour le raccordement électrique' à la page 56.



#### Option 2 : Ventilateur interne, installation par l'arrière pour évacuation vers la gauche, la droite ou le bas

- Le boîtier de ventilateur interne peut également être installé à l'arrière de l'unité d'aspiration descendante pour permettre l'installation d'une cuisinière ou d'un four mural/une surface de cuisson devant l'unité d'aspiration descendante.
- Retirez le grand couvercle situé à l'arrière de l'unité d'aspiration descendante (Fig.9).
- Tournez le collet de conduit du boîtier de ventilateur dans la direction souhaitée : vers la gauche, la droite ou le bas. Déconnectez le câble à l'intérieur de l'unité d'aspiration descendante. Branchez ce même câble de l'unité d'aspiration descendante au ventilateur interne et installez le boîtier de ventilateur sur le compartiment à l'aide de quatre vis (Fig.10).
- Lorsque vous terminez, installez le couvercle retiré précédemment sur le devant de l'unité d'aspiration descendante (Fig.11).
- Poursuivez à la section 'Préparation pour le raccordement électrique' à la page 56.



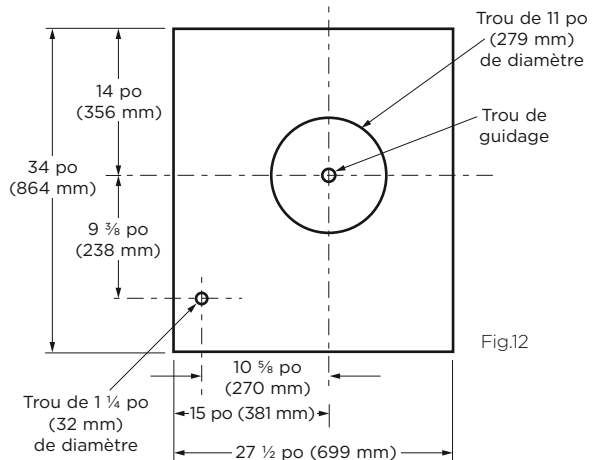
# INSTRUCTIONS D'INSTALLATION

## Installation du ventilateur à distance à l'aide d'une des trois options suivantes :

- Assurez-vous que l'extrémité d'évacuation du ventilateur à distance soit à l'opposé de la direction des vents dominants.
- Retirez l'emballage en carton de l'ailette du ventilateur.
- Retirez le couvercle du ventilateur à distance, puis retirez le couvercle du boîtier de câblage et les vis.
- Fixez un protecteur de cordon homologué UL approprié dans l'alvéole défonçable. Remarque : pour la plupart des installations, il est recommandé d'installer le protecteur de cordon de manière à ce qu'il soit possible de le serrer depuis l'intérieur du compartiment de ventilateur à distance.
- Réinstallez le couvercle du boîtier de câblage sans serrer les vis, car vous devrez le retirer de nouveau ultérieurement.

### Option 1 : Installation au mur

- Choisissez un emplacement sur un mur externe où aucun montant, câblage, tuyau, etc. ne se trouve dans la zone d'ouverture. Selon les codes locaux, il pourrait être nécessaire de laisser une distance minimale de 24 po (610 mm) entre le ventilateur à distance et le sol. Assurez-vous de prévoir de l'espace pour les chutes de neige attendues dans votre région.
- Percez le trou de guidage au centre de la zone d'ouverture de 11 po (279 mm) de diamètre.
- Marquez un rectangle de 27 ½ po x 34 po (699 x 864 mm) sur le mur, comme indiqué dans la Fig.12.
- Découpez une ouverture rectangulaire dans le bardage seulement. Ne découpez pas le revêtement. Clouez toutes les extrémités de bardage.
- Marquez un cercle de 11 po (279 mm) de diamètre autour du trou de guidage, comme indiqué dans la Fig.12.
- Marquez le centre du trou de 1 ¼ po (32 mm) de diamètre pour le câblage électrique, comme indiqué dans la Fig.12.
- Découpez une ouverture de 11 po (279 mm) de diamètre dans le revêtement.
- Percez le trou de 1 ¼ po (32 mm) de diamètre pour le câblage électrique.
- Appliquez un cordon de scellant sur la partie arrière du compartiment, le long du bord extérieur.
- Centrez l'anneau du ventilateur à distance dans l'ouverture de 11 po (279 mm) de diamètre, en vous assurant que le trou de 1 ¼ po (32 mm) de diamètre pour le câblage électrique soit aligné avec le trou dans le boîtier de câblage.
- Fixez le ventilateur à distance au mur à l'aide de vis appropriées pour votre installation. Bouchez les quatre trous dans le panneau arrière pour éviter que l'humidité puisse pénétrer dans la maison en s'infiltrant par le compartiment du ventilateur à distance.
- Scellez le pourtour des têtes de vis de montage à l'aide d'un produit de calfeutrage.
- Poursuivez à la section 'Préparation pour le raccordement électrique' à la page 56.





**Option 2 : Installation sur un toit incliné**

(Pour les installations sur un toit plat, voir l'Option 3)

- Choisissez l'emplacement sur la pente arrière du toit, en veillant à minimiser la longueur de conduit. Évitez les obstacles tels que les câbles de télévision, lignes électriques, etc. Si le dessus du ventilateur à distance est de niveau avec le faite du toit, il ne sera pas visible de la rue. Assurez-vous de pouvoir situer cet emplacement lorsque vous travaillerez à partir de l'intérieur du toit.
- Marquez un point à mi-chemin entre les chevrons et percez un trou de guidage à cet endroit.
- Depuis l'extérieur, utilisez le trou de guidage comme point de départ pour marquer l'ouverture rectangulaire, comme indiqué dans la Fig.12. Retirez UNIQUEMENT le bardeau dans CETTE ZONE.
- Marquez un cercle de 11 po (279 mm) de diamètre autour du trou de guidage, comme indiqué dans la Fig.12.
- Marquez le centre du trou de 1 ¼ po (32 mm) de diamètre pour le câblage électrique, comme indiqué dans la Fig.12.
- Découpez les panneaux-toiture le long du cercle de 11 po (279 mm) de diamètre.
- Percez le trou de 1 ¼ po (32 mm) de diamètre pour le câblage électrique.
- Retirez les clous de toiture des deux tiers supérieurs des bardeaux afin de pouvoir insérer sous ces derniers le revêtement pour solin du ventilateur à distance.
- Centrez l'anneau du ventilateur à distance dans l'ouverture de 11 po (279 mm) de diamètre, en vous assurant que le trou de 1 ¼ po (32 mm) de diamètre pour le câblage électrique soit aligné avec le trou dans le boîtier de câblage.
- Fixez le ventilateur à distance au toit ou à la charpente à l'aide de vis appropriées pour votre installation. Bouchez les quatre trous dans le panneau arrière pour éviter que l'humidité puisse pénétrer dans la maison en s'infiltrant par le compartiment du ventilateur à distance.
- Scellez tous les bardeaux autour du compartiment de ventilateur à distance, le revêtement pour solin et les têtes de montage ou la charpente à l'aide de goudron de toiture. La bride supérieure et les brides latérales de la plaque arrière pourraient comporter une garniture. Il est recommandé de commencer par effectuer et vérifier le raccordement électrique. Ne bloquez pas l'ouverture de la grille d'évacuation dans le bas de la garniture. Cela réduirait l'efficacité du ventilateur.
- Poursuivez à la section 'Préparation pour le raccordement électrique' à la page 56.

**Option 3 : Installation sur un toit plat**

- Localisez l'ouverture de 11 po (279 mm) de diamètre entre les chevrons.
- Construisez une base inclinée pour l'installation du ventilateur à distance, avec une pente minimale de 2 ½ po (64 mm); voir Fig.13 pour un exemple avec une pente de 5 po (127 mm).
- Étanchéifiez la base, tel que nécessaire.
- Placez la base de manière à ce que l'évent du ventilateur à distance soit aligné avec l'ouverture de 11 po (279 mm) de diamètre, en veillant à ce que le ventilateur repose uniformément sur la base, sans espacement. Remarque : Assurez-vous que l'extrémité d'évacuation du ventilateur à distance soit à l'opposé de la direction des vents dominants.
- Utilisez les dimensions indiquées dans la Fig.12 pour localiser le trou de 1 ¼ po (32 mm) de diamètre pour le câblage.
- Poursuivez à partir du point 8 de la section précédente, 'Installation sur un toit incliné'.

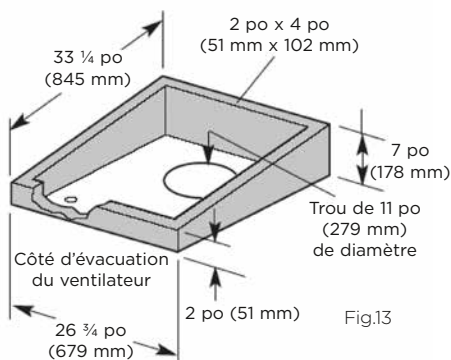
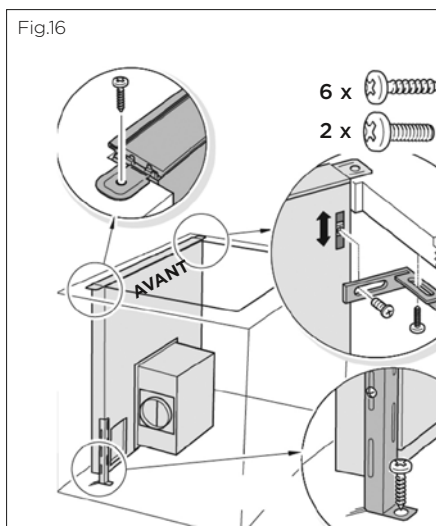
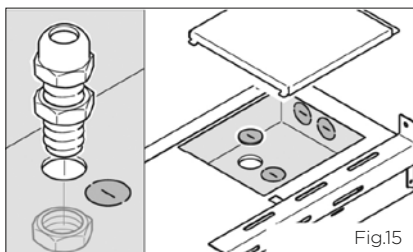
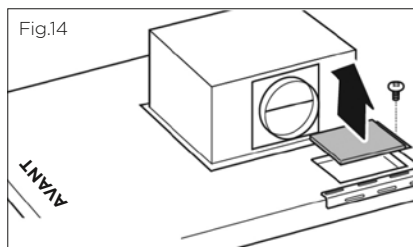


Fig.13

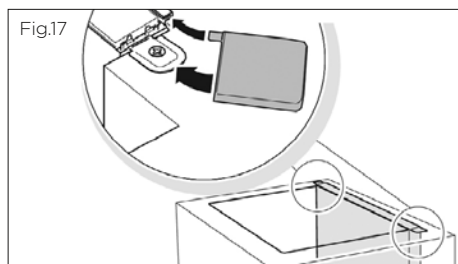
## ⑥ Préparation pour le raccordement électrique

### Unité d'aspiration descendante

- Retirez le couvercle de la boîte de jonction de l'unité d'aspiration descendante (Fig.14).
- Choisissez la position de raccordement de la source d'alimentation à l'unité d'aspiration descendante (à partir du dessous ou de l'arrière), puis retirez l'alvéole défonçable correspondante. Installez un protecteur de cordon homologué UL ou un raccord de conduit (non compris) dans l'alvéole défonçable (Fig.15).
- Si l'unité d'aspiration descendante est installée avec un ventilateur à distance, retirez l'alvéole défonçable pour le câble de commande.
- Avec l'aide d'une autre personne, soulevez l'unité d'aspiration descendante dans l'ouverture que vous avez préparée dans l'armoire. Les pièces de fixation pour dessus de comptoir doivent reposer sur le comptoir.
- Fixez l'unité d'aspiration descendante au plancher et au comptoir en insérant les vis dans les trous percés précédemment (Fig.16).



- Installez les capuchons d'extrémité de l'unité d'aspiration descendante sur le dessus du comptoir, puis verrouillez-les en place (Fig.17).



## ⑦ Raccordement électrique

### **MISE EN GARDE!**

- **Le câblage électrique doit être réalisé par une ou plusieurs personne(s) qualifiée(s), en conformité avec tous les codes et toutes les normes applicables, en veillant à ce que l'appareil soit mis à la terre.**
- **Cette unité d'aspiration descendante peut être utilisée uniquement avec un ventilateur DCS interne ou à distance.**
- **Débranchez ou déconnectez l'appareil de l'alimentation électrique avant de procéder à l'entretien ou au nettoyage.**

### **Exigences électriques**

Cet appareil ne doit être utilisé qu'avec une alimentation électrique de 120 V CA/60 Hz, sur un circuit de 15 ampères distinct, avec fusible aux deux extrémités du câble électrique. Nous vous recommandons d'utiliser un fusible à fusion lente ou un disjoncteur. Le fusible doit répondre aux exigences des codes locaux et être conforme aux caractéristiques électriques de cette unité d'aspiration descendante, indiquées sur la plaque signalétique/de numéro de série apposée à l'intérieur de l'unité d'aspiration descendante, près du compartiment de câblage.

**Cette unité d'aspiration descendante doit être raccordée uniquement à l'aide de fil de cuivre.** Les calibres de fil doivent être conformes aux exigences de la norme ANSI/NFPA70 de la dernière édition du Code national de l'électricité, ainsi qu'à tous les codes et règlements locaux en vigueur. Le calibre de fil et les raccordements doivent être conformes aux caractéristiques de l'appareil. Des copies de la norme mentionnée ci-dessus peuvent être obtenues de :

National Fire Protection Association  
Battery March Park  
Quincy, Massachusetts 02269

Cet appareil doit être raccordé directement au sectionneur à fusibles (ou au disjoncteur) au moyen d'un câble de cuivre flexible à armature ou gaine non métallique. Prévoyez une longueur de câble suffisante pour qu'il soit possible de déplacer l'appareil en cas de réparation. Un protecteur de cordon homologué UL ou un raccord de conduit de ½ po (12,7 mm) doit être utilisé à chaque extrémité du câble d'alimentation électrique (au niveau de l'appareil et de la boîte de jonction).

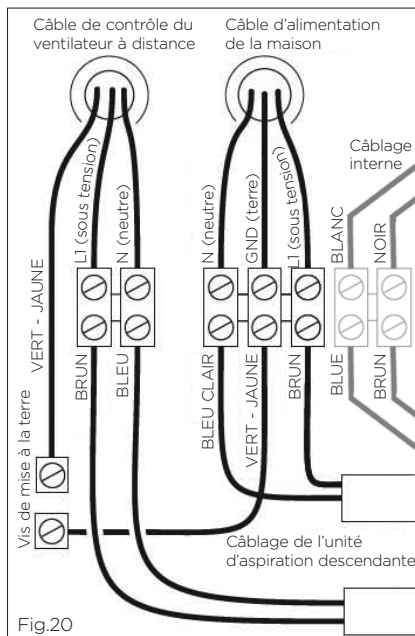
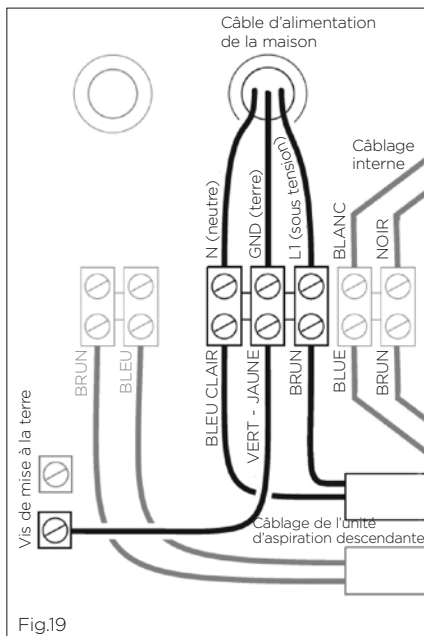
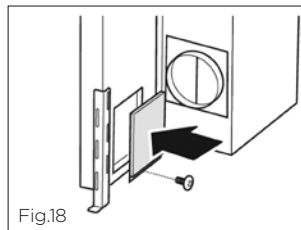
Pour effectuer le raccordement électrique, découpez un trou de 1 ¼ po (32 mm) dans le mur. Si le trou est découpé dans le bois, vous devrez le sabler jusqu'à ce qu'il soit lisse. Si le trou est découpé dans le métal, il devra comporter un œillet.

Remarque : convient à l'utilisation avec des dispositifs de contrôle de vitesse à semi-conducteurs.

# INSTRUCTIONS D'INSTALLATION

## Raccordement électrique du ventilateur interne de l'unité d'aspiration descendante

- Connectez le (L1/sous tension) du câble d'alimentation électrique à la borne de droite (Fig.19).
- Connectez le fil vert (terre) du câble d'alimentation électrique à la borne du centre (Fig.19).
- Connectez le (neutre) du câble d'alimentation électrique à la borne de gauche (Fig.19).
- Veillez à ce que les vis de borne maintiennent solidement tous les fils en place.
- Réinstallez le couvercle de la boîte de jonction (Fig.18).



## Raccordement électrique du ventilateur à distance de l'unité d'aspiration descendante

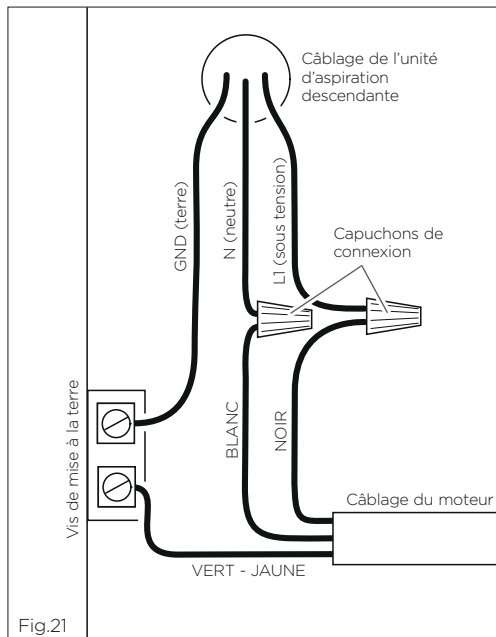
- Connectez le câble d'alimentation électrique à la boîte de jonction de la manière décrite dans la section 'Raccordement électrique du ventilateur interne de l'unité d'aspiration descendante' (ci-dessus).
- Pour utiliser un ventilateur à distance, installez un câble de contrôle entre l'unité d'aspiration descendante et le ventilateur à distance. Consultez la section 'Raccordement électrique du ventilateur à distance' à la page suivante.
- Des alvéoles défonçables supplémentaires doivent être utilisées pour le câblage du ventilateur à distance.
- Installez un protecteur de cordon homologué UL ou un raccord de conduit adéquat (non compris) dans l'alvéole défonçable.
- Connectez le câblage du ventilateur à distance à l'unité d'aspiration descendante : N (neutre) à la borne de droite, L1 (sous tension) à la borne de gauche et le fil vert (terre) à la borne de mise à la terre (Fig.20).
- Veillez à ce que les vis de borne maintiennent solidement tous les fils en place.
- Le ventilateur à distance sera raccordé au câble de contrôle supplémentaire.
- Réinstallez le couvercle de la boîte de jonction (Fig.18).

**Raccordement électrique du ventilateur à distance**

- Retirez le couvercle du ventilateur à distance, puis retirez le couvercle du boîtier de câblage.
- Faites passer le câblage électrique dans le trou à la base du ventilateur, puis fixez-le conformément aux codes locaux en utilisant un protecteur de cordon homologué UL ou un raccord de conduit adéquat (non compris).
- Connectez le fil N (neutre) au fil blanc dans le boîtier de câblage à l'aide d'un capuchon de connexion (Fig.21).
- Connectez le fil L1 (sous tension) au fil noir dans le boîtier de câblage à l'aide d'un capuchon de connexion (Fig.21).
- Connectez le fil vert de mise à la terre du câble d'alimentation électrique à la vis verte de mise à la terre.

**Attention - vérifiez que le filtre, le rabat et le couvercle sont positionnés correctement et assure une clairance avec le câblage.**

- Réinstallez le couvercle du boîtier de câblage et les vis en veillant à ne pas coincer le câblage sous le couvercle.
- Réinstallez le couvercle du ventilateur à distance.



# INSTALLATION INSTRUCTIONS

## 8 Terminez l'installation

- Placez la garniture supérieure sur l'unité d'aspiration descendante.
- Appuyez sur la touche d'alimentation de la garniture supérieure pour activer l'élévation de l'unité d'aspiration descendante. (Le ventilateur commencera à fonctionner immédiatement si le curseur de contrôle du ventilateur est réglé à la position 'On' ('Marche').)
- Retirez les étiquettes, la vis et les pièces de fixation, comme indiqué dans la Fig.22. Ces pièces de fixation servent à maintenir en place les microrupteurs du filtre à graisses pendant le transport. Ils sont situés dans le haut de l'unité d'aspiration descendante, dans la partie centrale derrière chaque filtre à graisses.
- Raccordez la garniture supérieure à l'unité d'aspiration descendante en vissant les écrous de  $\frac{3}{32}$  po (7 mm) sur les vis de la garniture supérieure (Fig.23).
- Installez les filtres à graisses (Fig.24).
- Vérifiez le fonctionnement du ventilateur. Si le ventilateur ne fonctionne pas, reportez-vous à la section 'Dépannage' à la page 63.

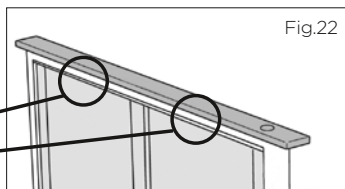


Fig.22

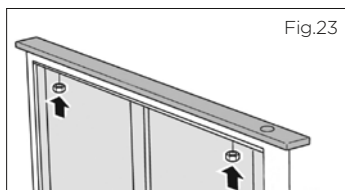


Fig.23

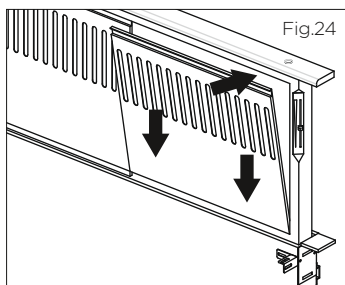


Fig.24

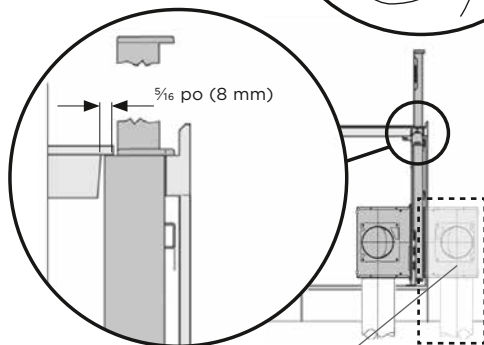
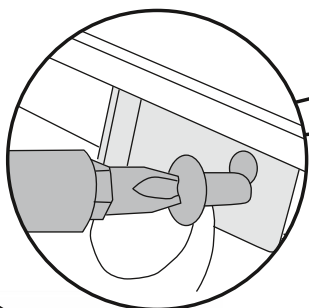


Fig.25

Le ventilateur interne ou à distance peut également être installé à l'arrière de l'appareil

## 9 Fixez le conduit

- Pour le boîtier de ventilateur interne, utilisez un conduit circulaire de 6 po (152 mm) et le clapet anti-refoulement d'air de 6 po (152 mm) de diamètre.
- Pour le ventilateur à distance, utilisez un conduit circulaire de 10 po (254 mm).
- Fixez le conduit à l'aide de colliers de serrage ou de ruban adhésif en toile d'aluminium pour sceller tous les joints, de manière à évacuer l'air vers l'extérieur.

## 10 Retirez l'emballage

- Retirez tous les matériaux d'emballage et toutes les enveloppes de protection.

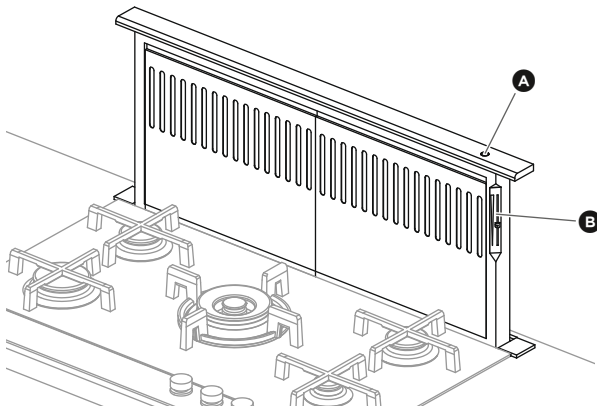
## 11 Installez la surface de cuisson

- Installez la surface de cuisson conformément aux instructions du fabricant.
- Veillez à ce que le rebord arrière de la surface de cuisson recouvre le rebord avant de l'unité d'aspiration descendante de  $\frac{3}{16}$  po (8 mm) (Fig.25).

Le système de ventilation à aspiration descendante est conçu pour éliminer la fumée, les vapeurs de cuisson et les odeurs de la zone de votre surface de cuisson. Pour de meilleurs résultats, il est recommandé de démarrer le système de ventilation à aspiration descendante avant de commencer la cuisson, puis de le laisser fonctionner plusieurs minutes après avoir terminé. Si vous utilisez de grandes casseroles, placez-les sur le brûleur arrière pour assurer une ventilation adéquate; un réglage de ventilateur plus élevé pourrait être requis.

Le dispositif d'allumage avec détection de flamme de certaines surfaces de cuisson au gaz pourrait être affecté par l'aspiration descendante, qui risque de disperser la flamme en l'éloignant du dispositif d'allumage par étincelle. Le dispositif pourrait alors continuer de produire une étincelle pour tenter de rallumer le brûleur déjà allumé. Pour résoudre ce problème et améliorer les performances du brûleur, réduisez la vitesse du ventilateur, augmentez le réglage du brûleur ou essayez ces deux solutions en même temps.

### Commandes



### FONCTIONNALITÉS DU PANNEAU DE COMMANDE

<p><b>(A) Mise en marche/arrêt</b></p>	<p>Appuyez sur la touche d'alimentation de la garniture supérieure pour activer l'élévation de l'unité d'aspiration descendante. Le ventilateur commencera à fonctionner immédiatement si le curseur de contrôle du ventilateur est réglé à la position 'On'.</p> <p>Appuyez sur la touche d'alimentation de la garniture supérieure; le ventilateur s'éteindra et l'unité d'aspiration descendante s'abaissera à la position fermée.</p>
<p><b>(B) Vitesse du ventilateur</b></p>	<p>Utilisez le curseur de contrôle sur le côté droit de l'unité d'aspiration descendante pour régler la vitesse de moteur du ventilateur.</p>

## MISE EN GARDE!

Débranchez ou déconnectez l'appareil de l'alimentation électrique avant de procéder à l'entretien ou au nettoyage.

## IMPORTANT!

- N'utilisez jamais de nettoyants abrasifs ou à base d'huile.
- Portez des gants pour vous protéger des rebords tranchants.

### Entretien

Le système de ventilation à aspiration descendante doit être nettoyé régulièrement à l'aide d'un détergent liquide doux et d'un chiffon doux et propre pour éviter l'accumulation de dépôts de graisse. Évitez d'utiliser des produits chimiques corrosifs, des produits de nettoyage abrasifs, des brosses rigides et des tampons de laine d'acier. Les dépôts de graisse sont corrosifs et peuvent endommager votre système de ventilation à aspiration descendante.

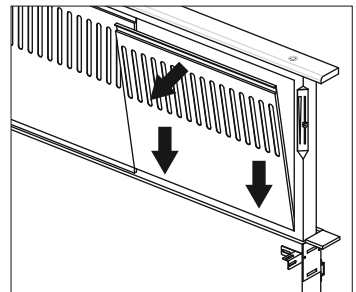
Remarque : dans les régions où l'humidité est élevée ou les environnements côtiers, le nettoyage doit être effectué plus fréquemment.

### Filtres à graisses

- Selon la fréquence d'utilisation, et au moins une fois par mois, vous devez retirer les filtres à graisses en aluminium pour les nettoyer avec de l'eau savonneuse et chaude ou dans un lave-vaisselle. Veuillez noter que le contact avec d'autres articles dans le lave-vaisselle pourrait égratigner leur surface.
- Si vous les lavez au lave-vaisselle, vous devez placer les filtres dans une position verticale pour éviter que des aliments se déposent sur ceux-ci.
- Après le nettoyage et le séchage, réinstallez les filtres.

#### Retrait des filtres à graisses :

- ① Placez le bout des doigts dans la rainure située dans la partie supérieure des filtres.
- ② Poussez les filtres vers le bas afin de déloger la languette située dans la partie supérieure des filtres.
- ③ Tirez vers l'avant pour libérer les filtres de leur rainure.
- ④ Suivez ces instructions dans l'ordre inverse pour réinstaller les filtres.



### Ventilateur à distance

Déconnectez l'alimentation et verrouillez le panneau électrique avant de procéder au nettoyage ou à l'entretien. Pour effectuer le nettoyage, retirez le couvercle et passez l'aspirateur dans le ventilateur et le compartiment, en veillant à ne pas endommager l'ailette du ventilateur. Le moteur est lubrifié en permanence; ne le lubrifiez ou démontez pas.



## Déversements

### **IMPORTANT!**

**En cas de déversement sur la surface de cuisson de liquides risquant de pénétrer à l'intérieur de l'unité d'aspiration descendante, éteignez immédiatement le système de ventilation à aspiration descendante. Des dommages peuvent être causés à l'unité d'aspiration descendante si de l'eau pénètre dans celle-ci pendant qu'elle fonctionne.**

- **Éteignez immédiatement le système de ventilation à aspiration descendante à l'aide de la commande de vitesse située dans la partie droite de l'unité d'aspiration descendante.**
- **Interrompez l'alimentation du système de ventilation à aspiration descendante au niveau du boîtier de disjoncteurs ou de fusibles.**
- **Laissez l'unité d'aspiration descendante sécher naturellement pendant une durée suffisamment longue. N'ouvrez pas l'unité d'aspiration descendante pour enlever l'eau.**

**Si le système de ventilation à aspiration descendante ne fonctionne pas**

- Vérifiez qu'aucun disjoncteur n'est déclenché ou qu'aucun fusible de la maison n'est grillé.
- Vérifiez que les filtres à graisses sont correctement installés.
- Vérifiez le fusible de l'unité d'aspiration descendante situé sous le circuit d'alimentation.

Remarque : cette unité d'aspiration descendante est munie d'un microrupteur situé derrière la partie centrale de chaque filtre à graisses. Ces microrupteurs empêchent le ventilateur et le mécanisme d'élévation/abaissement de l'unité de fonctionner lorsqu'un des filtres à graisses est retiré. Il est très important que les filtres à graisses soient installés correctement et fermement en place. Si l'unité ne fonctionne pas après la réinstallation des filtres à graisses, assurez-vous que les filtres sont correctement installés et bien en contact avec les microrupteurs.

## Interrupteur de sécurité

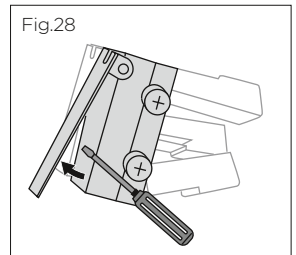
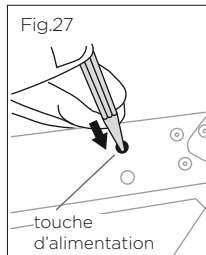
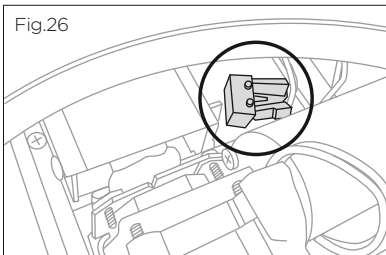
Un interrupteur de sécurité, conçu pour empêcher l'élévation de l'unité d'aspiration descendante pour des raisons de sécurité, interrompra également l'élévation s'il passe en position verrouillée ou « activée » pendant la livraison. Utilisez des pinces pour tourner la vis d'élévation principale d'un seul tour, afin que l'unité d'aspiration descendante s'élève de quelques millimètres pour relâcher l'interrupteur de sécurité.

Si cela ne fonctionne pas, ces étapes permettront de placer l'interrupteur de sécurité en position « désactivée » ou déverrouillée pour effectuer l'installation.

### **Veillez suivre ces étapes avant de procéder à l'installation normale :**

- ① Raccordez temporairement l'alimentation en suivant les instructions de la section 'Raccordement électrique' à la page 57.
- ② Localisez l'interrupteur de sécurité en regardant dans le trou de la plaque de raccordement de 10 po (254 mm) pour ventilateur à distance, à l'avant de l'unité d'aspiration descendante. Cet interrupteur est situé à l'avant de la paire d'interrupteurs dans le bas de l'unité d'aspiration descendante, devant l'interrupteur de limite inférieure (Fig.26).
- ③ Maintenez enfoncée (à l'aide d'un objet pointu) la touche d'alimentation située dans la partie supérieure droite de l'unité d'aspiration descendante (Fig.27).
- ④ Pendant que vous maintenez enfoncée la touche d'alimentation, placez un petit tournevis à tête plate sous l'interrupteur de sécurité pour dégager le levier de la touche de l'interrupteur (Fig.28). Lorsque vous éloignez ce levier de la touche enfoncée de l'interrupteur de sécurité, vous rétablissez le fonctionnement normal de l'unité d'aspiration descendante, qui peut alors s'élever et s'abaisser normalement.
- ⑤ Testez l'unité d'aspiration descendante en appuyant sur la touche d'alimentation dans la partie supérieure pour élever et abaisser l'unité à plusieurs reprises, afin de vous assurer qu'elle fonctionne correctement sans qu'il soit nécessaire de maintenir l'interrupteur de sécurité.
- ⑥ Déconnectez l'alimentation et suivez les étapes restantes pour installer le produit conformément aux instructions d'installation de la page 50.

Ces étapes ne devraient être requises qu'une seule fois et l'interrupteur de sécurité fonctionnera ensuite normalement.



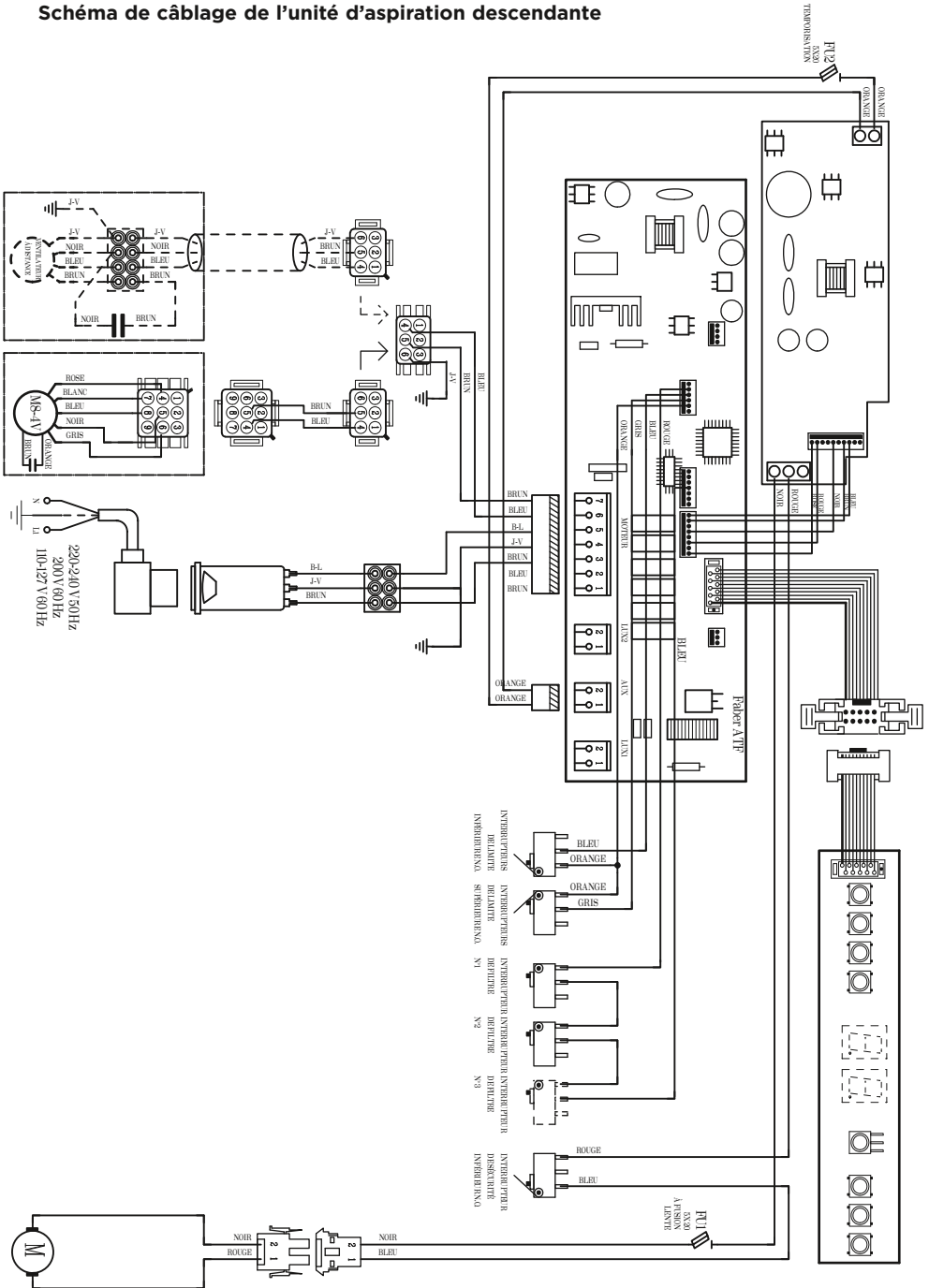
---

<b>ARTICLE</b>	<b>NUMÉRO DE RÉFÉRENCE</b>
Ventilateur interne	HBD600I
Modèle de ventilateur à distance	HBD1200E
Filtre HD30	290317
Filtre HD36	290334

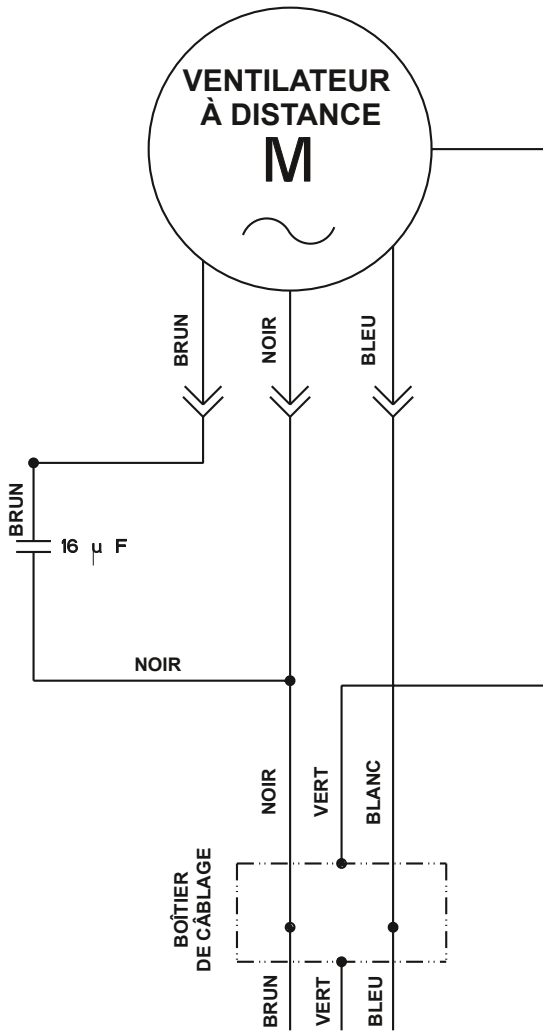
---

# SCHÉMA DE CÂBLAGE

## Schéma de câblage de l'unité d'aspiration descendante



## Schéma de câblage du ventilateur à distance



## GARANTIE LIMITÉE

---

Lorsque vous achetez un nouvel appareil de ventilation DCS par Fisher & Paykel destiné à un usage personnel ou celui d'un consommateur, vous bénéficiez automatiquement d'une garantie limitée de deux ans s'appliquant aux pièces et à la main-d'œuvre pour le service dans les 48 États continentaux des États-Unis, à Hawaï, à Washington DC et au Canada. Les clients de l'Alaska bénéficient de la même garantie limitée, mais ils doivent payer les frais nécessaires pour la livraison du produit à l'atelier de réparation ou le déplacement d'un technicien à leur domicile. Les produits pour l'utilisation au Canada doivent être achetés auprès du réseau de distribution canadien pour assurer la conformité aux réglementations.

Si le produit est installé dans un véhicule à moteur, un bateau ou une installation mobile similaire, vous bénéficiez de la même garantie limitée de deux ans, mais vous devez apporter à vos frais le véhicule, le bateau ou l'installation mobile contenant le produit à l'atelier de réparation ou payer le déplacement du technicien d'entretien à l'endroit où se trouve le produit.

Aucune garantie n'est offerte pour un achat ou une utilisation à des fins commerciales.

### **Fisher & Paykel s'engage à :**

Réparer sans frais encouru par le propriétaire pour le matériel ou la main-d'œuvre, sauf pour certaines exceptions décrites aux présentes, toute pièce s'avérant défectueuse du produit dont le numéro de série figure sur celui-ci, pendant la période de garantie limitée de deux ans.

Les clients de l'Alaska doivent payer les frais nécessaires pour la livraison du produit à l'atelier de réparation ou le déplacement d'un technicien à leur domicile. Si le produit est installé dans un véhicule à moteur, un bateau ou une installation mobile similaire, vous devez l'apporter à l'atelier de réparation à vos frais ou payer le déplacement d'un technicien à l'endroit où se trouve le produit. Si nous ne parvenons pas à réparer une pièce défectueuse du produit après un nombre de tentatives raisonnable, nous pourrions à notre discrétion remplacer la pièce ou le produit, ou vous offrir un remboursement complet du prix d'achat du produit (excluant les frais d'installation ou autres coûts).

Cette garantie est valable pour le propriétaire initial et tout propriétaire subséquent du produit pendant la durée de la garantie, s'il est acheté pour une utilisation normale dans un domicile familial simple.

Toutes les réparations couvertes par cette garantie limitée doivent être effectuées par Fisher & Paykel ou un agent de service autorisé pendant les heures d'ouverture normales.

### **Quelle est la durée de cette garantie limitée?**

Notre responsabilité en vertu de la garantie limitée de deux ans expire deux ans à partir de la date d'achat du produit par le premier acheteur.

Notre responsabilité en vertu de toute garantie implicite, incluant la garantie implicite de qualité marchande (la garantie non écrite que le produit est adéquat pour une utilisation normale) est limitée à deux ans (ou une période plus longue, si cela est exigé par la loi en vigueur) à partir de la date d'achat du produit par le premier acheteur. Certains États ne permettent pas les limitations de durée de la garantie implicite. Par conséquent, cette limitation pourrait ne pas s'appliquer à vous. Fisher & Paykel honorera toute garantie prévue par la loi dans le pays ou l'État où le produit est vendu.

**Cette garantie limitée ne couvre pas :**

- Ⓐ Les demandes de réparation pour tout problème non lié à une défectuosité du produit. Le coût de la demande de réparation sera facturé s'il se trouve que le problème n'est pas dû à une défectuosité du produit. Par exemple :
  - ① Correction d'une installation inappropriée du produit.
  - ② Explication du fonctionnement du produit.
  - ③ Remplacement des fusibles du domicile, réarmement des disjoncteurs, réparation du câblage électrique ou de la plomberie du domicile et remplacement des ampoules.
  - ④ Réparation des défectuosités causées par l'utilisateur.
  - ⑤ Modification de la configuration du produit.
  - ⑥ Modifications non autorisées du produit.
  - ⑦ Bruits ou vibrations considérés normaux, par exemple, des sons/bruits de ventilateur ou bips d'avertissement.
  - ⑧ Réparation des dommages causés par des animaux nuisibles, par exemple, des rats, cafards, etc.
- Ⓑ Défectuosités du produit causées par des facteurs autres que :
  - ① Utilisation domestique normale; ou
  - ② Utilisation en conformité avec le guide d'utilisation du produit.
- Ⓒ Défectuosités du produit causées par un accident, la négligence, une utilisation inappropriée, un incendie, une inondation ou une catastrophe naturelle.
- Ⓓ Les frais des réparations effectuées par des réparateurs non autorisés ou les frais associés à la correction de telles réparations non autorisées.
- Ⓔ Les frais de déplacement et frais associés encourus lorsque le produit est installé dans un endroit où l'accès est limité ou restreint (par exemple, frais d'avion et de traversier, régions géographiques isolées).
- Ⓕ L'entretien normal recommandé dans le guide d'utilisation du produit.
- Ⓖ Le remplacement du filtre, sauf en présence de pièces ou matériaux défectueux à l'intérieur de la cartouche du filtre.
- Ⓗ Dommages (y compris les dommages causés par l'eau) provoqués par une installation, un raccordement de plomberie ou un câblage incorrect.

Ce produit a été conçu pour une utilisation dans un environnement domestique normal (résidentiel). Il n'est pas conçu pour une utilisation commerciale (de quelque nature que ce soit). Toute utilisation commerciale entraînera l'annulation de la garantie limitée de ce produit.

En cas de problème d'installation, communiquez avec votre détaillant ou installateur. Il est de votre responsabilité d'assurer des installations électriques, d'évacuation et de raccordement appropriées.

Fisher & Paykel ne sera responsable d'aucun dommage indirect ou accessoire (y compris, sans limitation, le coût de réparation ou de remplacement d'autres biens endommagés si le produit est défectueux ou tout autre coût encouru si le produit est défectueux). Certaines juridictions ne permettent pas l'exclusion ou la limitation de la responsabilité pour les dommages indirects ou accessoires; par conséquent, l'exclusion ou la limitation ci-dessus pourrait ne pas s'appliquer à vous.

# GARANTIE LIMITÉE

---

## Comment obtenir du service

Veillez lire votre guide d'utilisation. Si vous avez des questions concernant l'utilisation du produit, souhaitez trouver le nom d'un agent de service autorisé Fisher & Paykel local ou pensez que le produit est défectueux et désirez le faire réparer dans le cadre de cette garantie limitée, veuillez communiquer avec votre détaillant ou nous appeler au numéro suivant :

### États-Unis et Canada

SANS FRAIS **1.888.9.FNP.USA (1.888.936.7872)**

ou utilisez le lien sur cette page : [www.dcsappliances.com/customer-care/service-my-product/](http://www.dcsappliances.com/customer-care/service-my-product/)

Il pourrait vous être demandé de fournir une preuve valable de la date d'achat du produit avant que la réparation soit effectuée dans le cadre de cette garantie limitée.

### Aucune autre garantie

Cette garantie limitée constitue la totalité de l'accord exclusif existant entre l'acheteur et Fisher & Paykel relativement à toute défectuosité de ce produit; aucune autre garantie expresse n'est offerte ou ne sera offerte au nom de Fisher & Paykel. Aucun de nos employés (ou agents de service autorisés) n'est autorisé à effectuer des ajouts ou apporter des modifications à cette garantie limitée.

Garant : Fisher & Paykel Appliances, Inc.

Si vous avez besoin d'aide au sujet de cette garantie limitée ou devez faire une demande en vertu de cette garantie, veuillez nous appeler au numéro ci-dessus ou nous écrire à l'adresse suivante :

Fisher & Paykel Appliances, Inc.  
695 Town Center Drive, Suite 180  
Costa Mesa  
CA 92626

Cette garantie limitée vous donne des droits juridiques spécifiques auxquels peuvent s'ajouter d'autres droits qui varient d'un pays et d'une juridiction à l'autre.

Remplir et conserver pour référence ultérieure :

Modèle \_\_\_\_\_

N° de série \_\_\_\_\_

Date d'achat \_\_\_\_\_

Acheteur \_\_\_\_\_

Détaillant \_\_\_\_\_

Banlieue \_\_\_\_\_

Ville \_\_\_\_\_

Pays \_\_\_\_\_









**www.dcsappliances.com**

© Fisher & Paykel Appliances 2017. All rights reserved.

The product specifications in this booklet apply to the specific products and models described at the date of issue. Under our policy of continuous product improvement, these specifications may change at any time. You should therefore check with your Dealer to ensure this booklet correctly describes the product currently available.

© Fisher & Paykel Appliances 2017. Tous droits réservés.

Les caractéristiques de produit présentées dans ce livret s'appliquent aux modèles et produits spécifiques qui y sont décrits à la date de publication. Dans le cadre de notre politique d'amélioration en permanence de nos produits, ces caractéristiques peuvent être modifiées à tout moment. Nous vous recommandons de vérifier auprès de votre détaillant que ce livret décrit le produit actuellement disponible.

**US CA**

104067 D 07.17