

Dual Fuel Range, 48", 5 Burners with Griddle, Self-cleaning, LPG

Series 9 | Professional

Stainless Steel with Black Glass | LPG



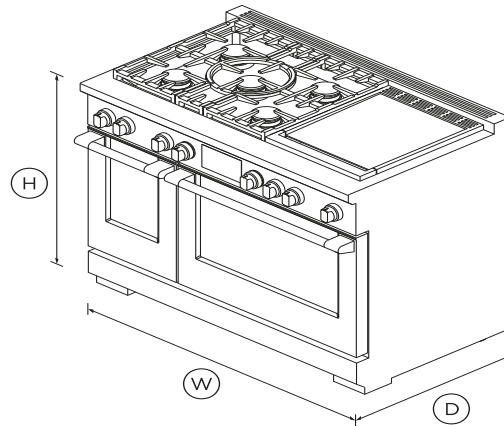
With intuitive touchscreen and specialized cooking functions across two ovens, this range is a stand-out addition to your kitchen.

- Guided cooking using your touchscreen makes it simple to cook by food, function or recipe.
- Gas cooktop with a griddle and five burners that deliver up to 19,000 BTU for fast boiling
- 6.9 cu ft total oven capacity across two oven cavities

- Beautiful LED halo-illuminated dials provide information at a glance

DIMENSIONS

Height	35 ³ / ₄ - 36 ³ / ₄ "
Width	47 ⁷ / ₈ "
Depth	29 ¹ / ₈ "



FEATURES & BENEFITS

Cook with confidence

Our touchscreen interface provides an intuitive guided cooking experience that helps deliver perfect results, whether you've been cooking all your life or just starting out. Cook with a favorite method, a hero ingredient, or a go-to cooking function or recipe. The screen tilts for improved ergonomics and optimal

visibility while cooking.

SPECIFICATIONS

Accessories

Square handle option	AH-R48
----------------------	--------

Capacity

Total capacity	6.9cu ft
----------------	----------

Cleaning

- Dishwasher proof trivets
- Pyrolytic self-clean

Controls

- High resolution display
- Metal illuminated dials
- Sabbath mode

Gas requirements

Fitting and pipe	½ NPT, min. ⅝" Ø flex
Supply Pressure (LPG)	11" to 14" W.C

Main oven features

- Bake
- Clean
- Convection Bake
- Convection Broil
- Large broil pan
- Main oven- Self cleaning

Main oven- True convection	•
Number of main oven functions	15

Oven features

Concealed element	•
Electronic oven control	•
Full extension telescopic	2
Internal light	•
Pyrolytic self-clean	•

Oven functions

Pyrolytic self-clean	•
----------------------	---

Oven performance

Main Oven Shelf Positions	5
Main Oven Total Capacity	4.8cu ft
Main Oven Usable Capacity	3.8cu ft
Main oven- Bake	4600W
Main oven- Broil	4000W
Main oven- True convection	2500W
Secondary Oven- Bake	2450W
Secondary Oven- Broil	3600W
Secondary Oven- Capacity	2.1cu ft
Secondary Oven- Capacity	1.8cu ft
Secondary Oven- Shelf	5

Power requirements

Electric circuit	4 wire
Rated current	50A
Supply frequency	60Hz

Supply voltage	120 - 240W
----------------	------------

Product dimensions

Depth	29 1/8 "
Depth (Excluding handles)	29 1/8 "
Height	35 3/4 - 36 3/4 "
Height (excluding vent trim)	35 3/4 - 36 3/4 "
Width	47 7/8 "

Rangetop features

Sealed Dual Flow Burners™	5
Sealed range top	•
Simmer on all burners	140°F
Vent trim included	Flat vent trim

Rangetop Performance

Max burner power	19000BTU
Power back left	11500BTU
Power back right	11500BTU
Power centre	19000BTU
Power front left	15000BTU
Power front right	15000BTU
Power griddle	24000BTU
Total cooktop power	96000BTU

Secondary Oven features

Bake	•
Convection Bake	•
Convection Broil	•
Secondary oven functions	11

Warranty

Parts and labor	Limited 2 Year Parts & Labor
-----------------	------------------------------

SKU	81895
-----	-------

The product dimensions and specifications in this page apply to the specific product and model. Under our policy of continuous improvement, these dimensions and specifications may change at any time. You should therefore check with Fisher & Paykel's Customer Care Centre to ensure this page correctly describes the model currently available. Â© Fisher & Paykel Appliances Ltd 2019.



A PEACE OF MIND SALE

24 Hours 7 Days a Week Customer Support

T 1300 650 590 W www.fisherpaykel.com