

**INSTALLATION INSTRUCTIONS
USER GUIDE**

Outdoor Ice Maker

RF15I models

US CA





CONTENTS

Introduction	3
Safety and warnings	4
Installation instructions	6
Electrical connection	10
Drain pump	13
Operating instructions	16
Operation (turning on the ice maker)	16
Care and cleaning instructions	19
Cleaning the ice maker	19
Energy saving tips	22
Preparing the ice maker for storage	23
Drain pump removal instructions	25
Troubleshooting	27
Drain pump problems	30
Limited Warranty	31

IMPORTANT! **SAVE THESE INSTRUCTIONS**

The models shown in this user guide may not be available in all markets and are subject to change at any time. For current details about model and specification availability in your country, please go to our website www.dcsappliances.com or contact your local DCS by Fisher & Paykel dealer.

Registration

Register your product with us so we can provide you with the best service possible.

To register your product visit our website: www.dcsappliances.com



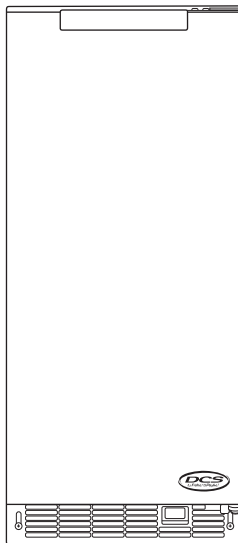
INTRODUCTION

Thank you for buying this DCS by Fisher & Paykel Outdoor Ice Maker.

This detailed Installation instructions and User guide contains valuable information on how to properly install, operate and maintain your new refrigerator.

This refrigerator has many unique features so following the instructions outlined in this book is essential to safe and enjoyable operation.

We hope you enjoy your new Outdoor Ice Maker.



SAFETY AND WARNINGS

 WARNING!	
	<p>Electric Shock Hazard Read and follow the safety and warnings outlined in this user guide before operating this appliance. Failure to do so can result in death, electric shock, fire or injury to persons.</p>

Use this appliance only for the intended purpose as described in the user guide.

IMPORTANT SAFETY INSTRUCTIONS

WARNING!

When using this appliance always exercise basic safety precautions including the following:

- This appliance is not intended for use by persons (including children) with reduced physical, sensory or mental capabilities, or lack of experience and knowledge, unless they have been given supervision or instruction concerning use of the appliance by a person responsible for their safety.
- Children should be supervised to ensure they do not play with the appliance.
- The manufacturer's installation instructions for product and cabinetry ventilation must be followed when installing the appliance.
- To avoid hazard due to instability of the appliance, it must be fixed in accordance with installation instructions.
- Keep ventilation openings, in the appliance enclosure or in the built-in structure, clear of obstruction.
- Do not use mechanical devices or other means to accelerate the defrosting process, other than those recommended by the manufacturer.
- Do not damage the refrigerant circuit.
- In case of damage to the refrigerant circuit, ventilate the area by opening all windows. Do not operate electrical equipment or any other equipment that may produce arcs, sparks or flames in the area. Contact your DCS by Fisher & Paykel trained and supported service technician immediately to arrange for the appliance to be repaired.
- Do not use electrical appliances inside the food storage compartments of the appliance, unless they are of the type recommended by the manufacturer.

Electrical

- This appliance must be installed in accordance with the installation instructions before use.
- To allow disconnection of the appliance from the supply after installation, incorporate a switch in the fixed wiring in accordance with the wiring rules.
- Never unplug your appliance by pulling on the power cord. Always grip the plug firmly and pull straight out from the outlet.
- Do not plug in any other appliance at the same power point as your appliance or use extension cords or double adapters or ungrounded (two prong) adapters.
- Repair or replace immediately all electric service cords that have become frayed or otherwise damaged. Do not use a cord that shows cracks or abrasion along its length or at either the plug or appliance end.

SAFETY AND WARNINGS

- If the power supply cord is damaged, it must only be replaced by your DCS by Fisher & Paykel trained and supported service technician because special purpose tools are required.
- When moving your appliance away from the wall, be careful not to roll over or damage the power cord.
- Follow the National Electrical Code and all local codes and ordinances when installing this product.
- Warning: Ground Fault Circuit Interrupters (GFCI) may trip during normal operation of your refrigerator and interrupt the power supply. The use of a GFCI is not recommended with this product.

IMPORTANT!

Your appliance is designed to operate for many years without the need for service checks. However, if your appliance is malfunctioning, have it attended to by your DCS by Fisher & Paykel trained and supported service technician as soon as possible. All electrical repairs must be carried out by an adequately trained service technician or qualified electrician.

Cleaning

- Many commercially available cleaning products contain solvents that may attack the plastic components of your appliance and cause them to crack.
- Avoid using anti-bacterial cleaning products on either the interior or exterior of the cabinet as they may cause rusting of metal components and cracking of plastic components.
- Please refer to the 'Care and cleaning instructions' section of this user guide for further information.

Disposal

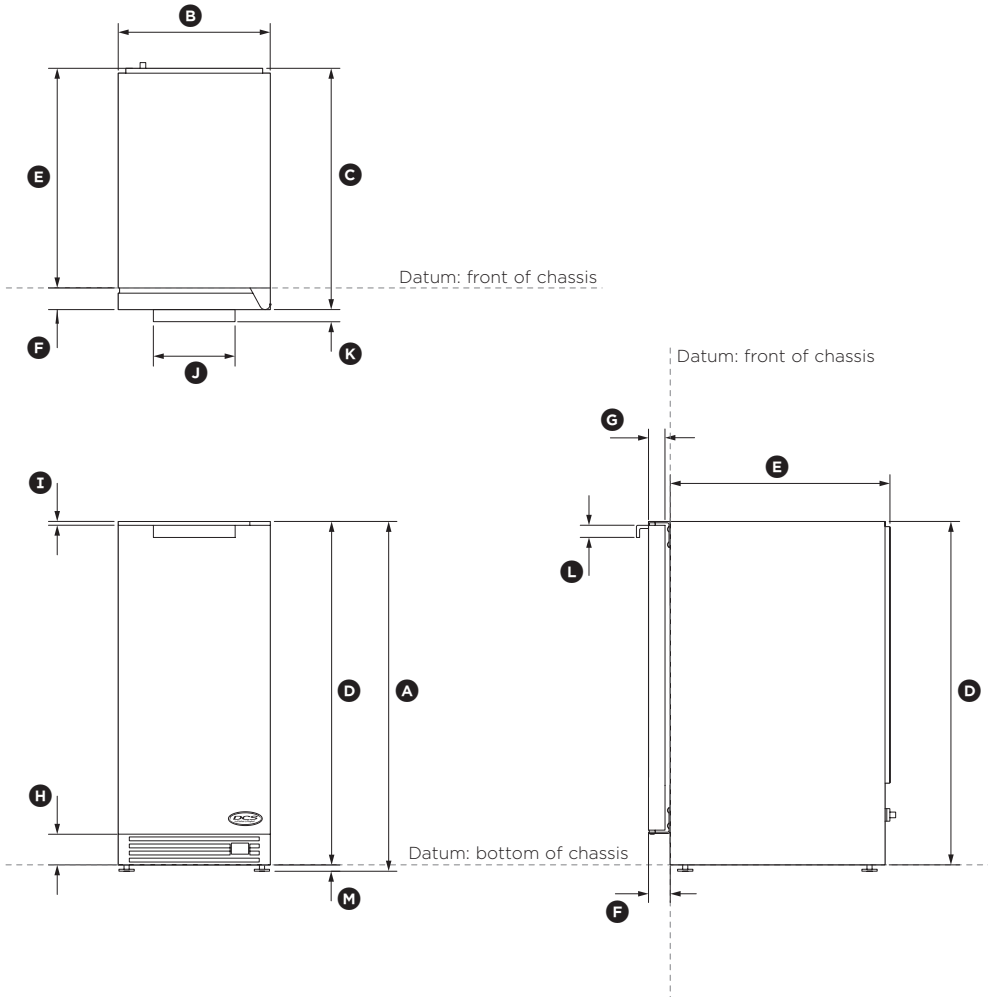
- Extreme care must be taken when disposing of your old appliance to avoid hazards:
 - The flammable refrigerant gas must be safely removed.
 - The thermal insulation foam in this appliance contains flammable insulation blowing gases, any exposed foam may be highly flammable and must be carefully treated during disposal.
- Your DCS by Fisher & Paykel trained and supported service technician will be able to give advice on environmentally friendly methods of disposing of your old refrigerator or freezer.

Intended use

- This product is not intended for storage of food or drinks.
- Do not store explosive substances such as aerosol cans with a flammable propellant in this appliance.
- Never store volatile or flammable materials in your appliance as they may explode.

INSTALLATION INSTRUCTIONS

Product dimensions



INSTALLATION INSTRUCTIONS

PRODUCT DIMENSIONS	inches (mm)
(A) Overall height of product *	33 3/4" - 34 3/4" (857 - 883)
(B) Overall width of product	14 7/8" (378)
(C) Overall depth of product (excluding handles)	23 5/8" (600)
(D) Height of chassis	33 5/8" (854)
(E) Depth of chassis	21 1/2" (546)
(F) Depth from front of chassis to door front	2 1/8" (54)
(G) Thickness of door panel	1 5/8" (41)
(H) Height of front grille panel	3" (76)
(I) Height from top of door to top of chassis	3/8" (10)
(J) Width of handle	8" (203)
(K) Depth of handle	1 3/16" (30)
(L) Height of handle	1 3/16" (30)
(M) Height of adjustable feet	5/8" - 1 3/8" (16 - 35)

* Includes mounted feet.

CLEARANCE DIMENSIONS	inches (mm)
Overall height of cutout	min. 34 1/2" (min. 876)
Overall width of cutout	15" (381)
Overall width of cutout (with optional DCS side trim kit)	15 1/2" (394)
Depth of cavity**	min. 24" (min. 610)

** Depth dimension varies depending on individual installation.

INSTALLATION INSTRUCTIONS

Installing your ice maker

Select location

The proper location will ensure peak performance of your appliance. We recommend a location where the ice maker will be out of direct sunlight and away from heat sources. To assure your product performs to specifications the recommended installation location temperature range is from 55 – 80°F (13 – 27°C) for built in ice makers, 55 – 90°F (13 – 32°C) for freestanding ice makers. Ice maker will not perform correctly in ambient temperatures less than 55°F (13°C).

IMPORTANT!

Outdoor installation

- **Building codes may require a ground fault circuit interrupter electrical receptacle to supply electrical power to the ice maker for outdoor applications, (see 'Electrical connection' in the 'Installation instructions' section).**
- **Do not install in a location where the ice maker will be exposed to direct sun exposure as this may result in unsatisfactory performance.**

Winterizing your outdoor ice maker

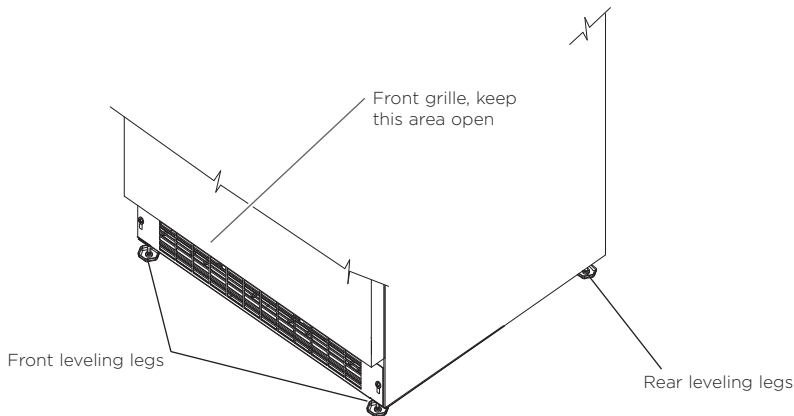
For instructions on winterizing your ice maker see 'Preparing the ice maker for storage'.

Cabinet clearance

Ventilation is required from the bottom front section of the ice maker. Keep this area open and clear of any obstructions. Adjacent cabinets and counter top can be installed around the ice maker as long as the front grille remains unobstructed.

Front grille

Do not obstruct the front grille. The openings within the front grille allow air to flow through the condenser heat exchanger. Restrictions to this air flow will result in increased energy usage and loss of cooling capacity. For this reason it is important this area to not be obstructed and the grille openings kept clean. DCS by Fisher & Paykel does not recommend the use of a custom made grille as air flow may be restricted because of inadequate openings.



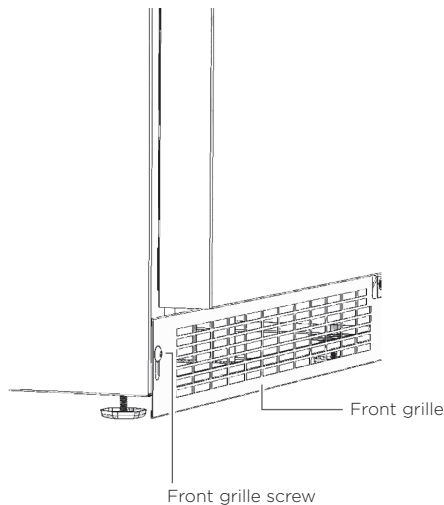
INSTALLATION INSTRUCTIONS

Leveling legs

Adjustable legs at the front and rear corners of the ice maker should be set so the ice maker is firmly positioned on the floor and level from side to side and front to back. The overall height of your DCS ice maker may be adjusted from 33 3/4" (857mm) with the leveling legs turned in, and up to 34 3/4" (883mm) with the leveling legs extended.

To adjust the leveling legs, place the ice maker on a solid surface and protect the floor beneath the legs to avoid scratching the floor. With the assistance of another person, lean the ice maker back to access the front leveling legs. Raise or lower the legs to the required dimension by turning the legs. Repeat this process for the rear by tilting the ice maker forward using caution to prevent the door from opening. On a level surface check the ice maker for levelness and adjust accordingly.

The front grille screws may be loosened and the front grille adjusted to the desired height. When adjustment is complete tighten the two front grille screws.



INSTALLATION INSTRUCTIONS

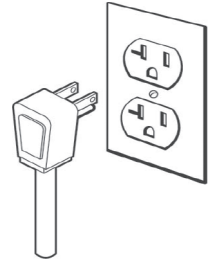
WARNING!

- **Do not splash or spray water from a hose on the ice maker. Doing so may cause an electrical shock, which may result in severe injury or death.**
- **This ice maker should not, under any circumstances, be installed to an un-grounded electrical supply.**
- **Risk of electrical shock or personal injury could occur due to moving components, if machine compartment access cover is removed before unplugging the ice maker.**

Electrical connection

A grounded 115V, 15 amp dedicated circuit is required.

This product is factory equipped with a power supply cord that has a three-pronged, grounded plug. It must be plugged into a mating grounding type receptacle in accordance with the National Electrical Code and applicable local codes and ordinances. If the circuit does not have a grounding type receptacle, it is the responsibility and obligation of the customer to provide the proper power supply. The third ground prong should not, under any circumstances, be cut or removed.



WARNING!

Electrical extension cords should not be used. They can be hazardous and cause deficient operation. The wall receptacle should be located near the ice maker and be a polarized type with adequate ground protection. The ice maker must be installed to your local building codes and ordinances.

Note: Ground Fault Circuit Interrupters (GFCI) are prone to nuisance tripping which will cause the ice maker to shut down. GFCI's are generally not used on circuits, with powered equipment, that must run unattended for long periods of time, unless required to meet local building codes and ordinances.

Installing the drain plumbing

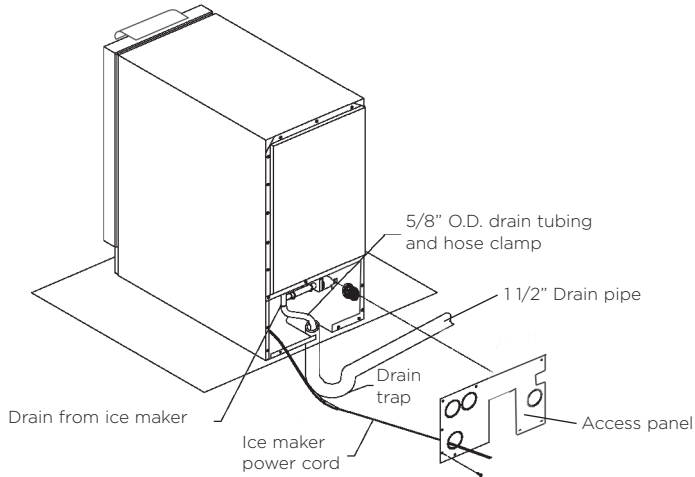
Your ice maker requires drain plumbing. There are 2 variations of ice makers in regards to the installation of the drain plumbing, without a drain pump (gravity drain), and with a drain pump.

Note: your machine comes with a gravity drain. If you require a drain pump this will need to be purchased separately. Contact your DCS by Fisher & Paykel trained and supported service technician or the Customer Care Center.

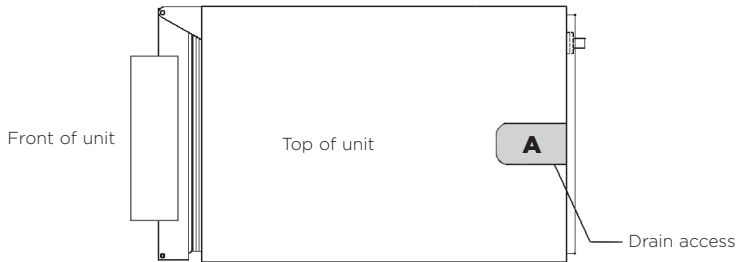
INSTALLATION INSTRUCTIONS

Gravity drain, no drain pump

Your ice maker has a gravity drain that requires 5/8" outside diameter (O.D.) tubing from the back of the ice maker to a plumbed connection to a sanitary sewer. The gravity drain location for built-in ice makers can be within the shaded area (**A**).



Ice maker with gravity drain, no drain pump



Gravity drain location

INSTALLATION INSTRUCTIONS

With a drain pump

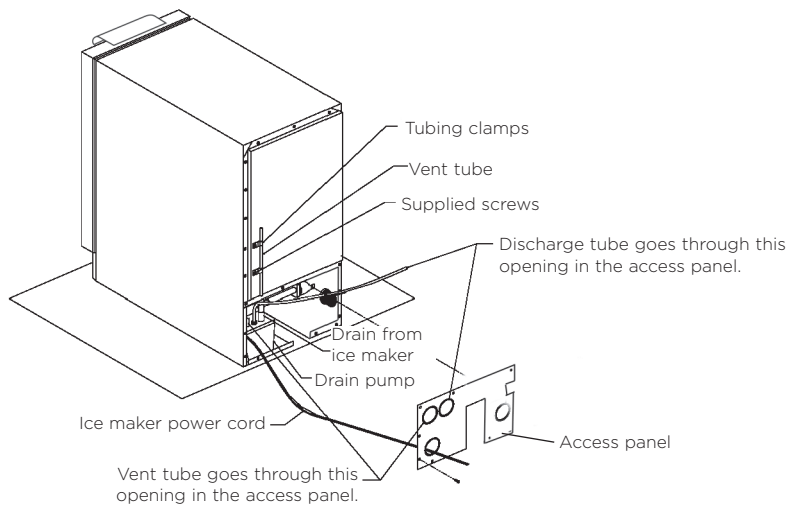
If you require a drain pump for your ice maker this can be purchased separately online at www.dcsappliances.com or by contacting the Customer Care Center.

Your drain pump will need to be installed by a DCS by Fisher & Paykel trained and supported service technician.

After installation, ensure the 3/8" I.D. (discharge tubing) which is coiled up and attached to the back of the ice maker is plumbed in and connected to a sanitary sewer. The maximum lift of the drain pump is 8ft (2.44m) through the 3/8" I.D. tubing.

IMPORTANT!

- **This drain pump is designed to be installed in DCS by Fisher & Paykel ice makers only.**
- **Failure to use an adequate drainage system, will result in surrounding water damage and/or poor ice production.**



Ice maker with drain pump

INSTALLATION INSTRUCTIONS

Drain pump

The drain pump is designed to remove drain water from ice makers installed in areas without direct drainage access. The sealed reservoir pump collects the melted ice water and pumps it to a maximum lift of 8ft (2.44m) through 3/8" I.D. vinyl tubing to a drain.

Note: this pump has been evaluated for use with water only.

Note: reasonable care and safe methods should be practiced. Do **not** work with energized electrical equipment in a wet area. Read and follow the installation instructions listed in this manual.

WARNING!

Risk of electric shock — This pump is supplied with a grounding conductor and grounding-type attachment plug. To reduce the risk of electric shock, be certain that it is connected only to properly grounded, grounding-type receptacle.

Maintenance

The following items require review on a regular basis:

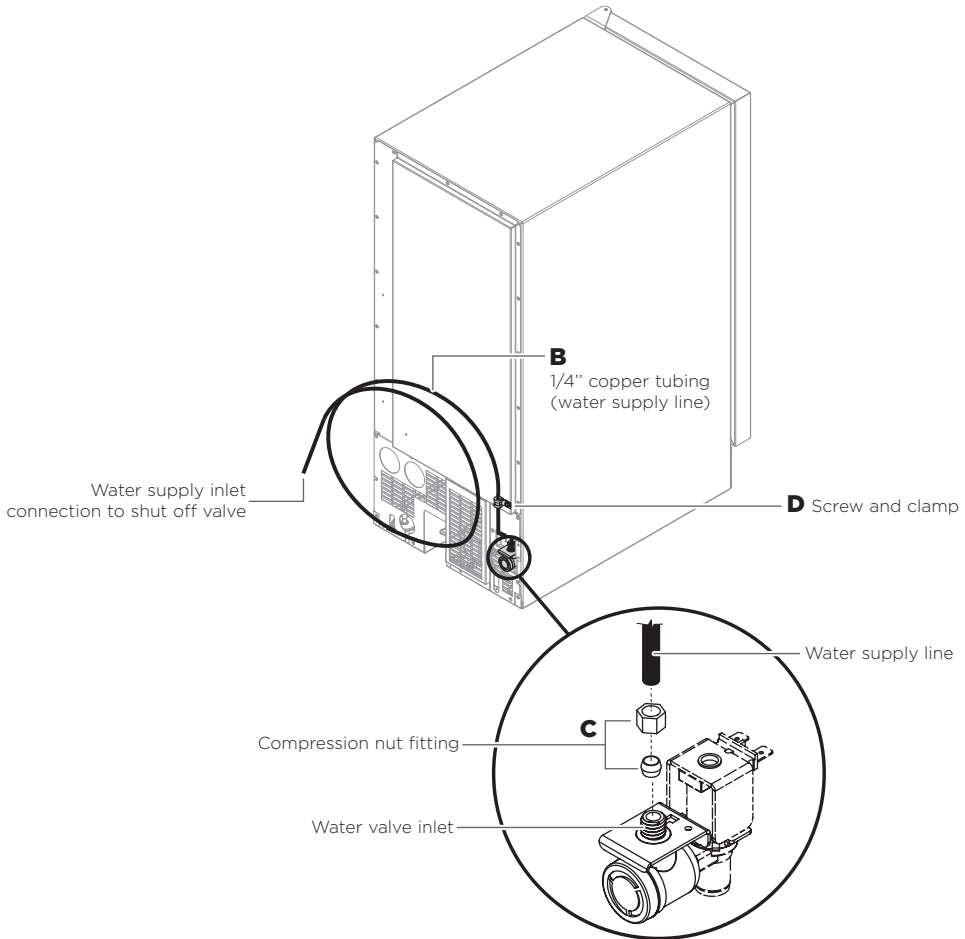
- Check that the vent line is open, free of kinks/sharp bends, so that air flows freely from the pump reservoir.
- Check that the discharge tubing is free of foreign material (algae, etc) and kinks/bends. Confirm that the check valve is operational by observing that the water flow is evident in one direction only — out of the pump. Remove and clean as required.

INSTALLATION INSTRUCTIONS

Connecting the water supply

Water supply

Connect the ice maker to a potable drinkable water supply only. Do not install on line pressure above 120psi (827kPa) or below 20psi (138kPa).



Use 1/4" (6mm) copper tubing for your water supply line, available at any local hardware or plumbing supply store. Purchase enough copper tubing to allow a coil to be formed behind the unit so the appliance can be pulled out from the installation for servicing or cleaning (B). Route the 1/4" (6mm) copper tubing (water supply line) to suit your installation being sure not to kink the tubing.

A shutoff valve is recommended on the water supply line to ease servicing the appliance. **Do not use a self-piercing type valve.**

INSTALLATION INSTRUCTIONS

Connect the water supply line to the water valve using the compression nut fitting provided (C). Secure the water supply line to the back of the cabinet using the screw and clamp provided in the corner of the back panel (D).

When connecting the water supply line to the water supply inlet, connect the copper tubing to the “top side” of a cold water pipe to prevent the ice maker from being blocked with sediment. Form the tubing so that it will not vibrate against the cabinet body or kink when your appliance is moved in and out of position.

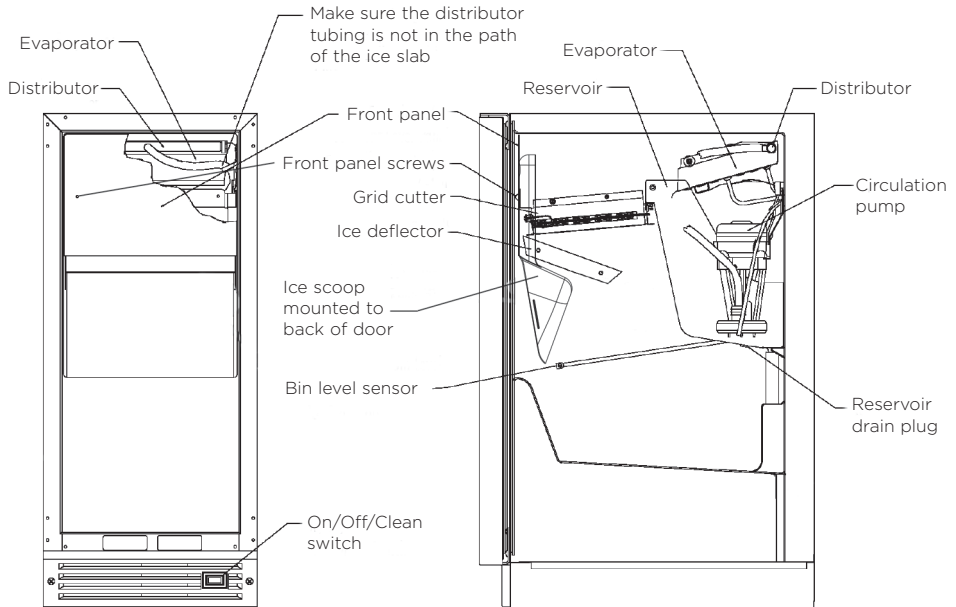
- Ensure all connections are watertight after installation. Additional tightening to the water supply inlet or water valve inlet may be needed.
- The ice maker is designed to make clear ice from the majority of water sources on a daily basis. If your results are unsatisfactory, your water may need to be filtered or treated.
- A quality water filter can remove particles as well as remove taste and odors from water. **Do not use a ‘Reverse Osmosis’ filtering device.**
- Softened water is not recommended. This will produce soft, cloudy ice cubes that will stick together.
- De-ionized water is not recommended. This water will not form solid ice cubes.
- A water specialist can recommend proper water treatment.

OPERATING INSTRUCTIONS

Operation (turning on the ice maker)

Once the drain and water supply are connected, and the ice maker is in place and levelled:

- ① With the switch in the 'Off' position, plug the ice maker into an electrical outlet.
- ② Turn on the water supply line.
- ③ Turn the switch to the 'On' position.
- ④ Check the water inlet, drain lines, and fittings for any water leaks.
- ⑤ Check drain pump (if equipped) operation by pouring approximately 2qt (1.89L) of water into the ice storage bin. The drain pump should activate and discharge water (refer to 'Drain pump' in the 'Installation instructions' section).
- ⑥ Check for water leaks at all hose connections.



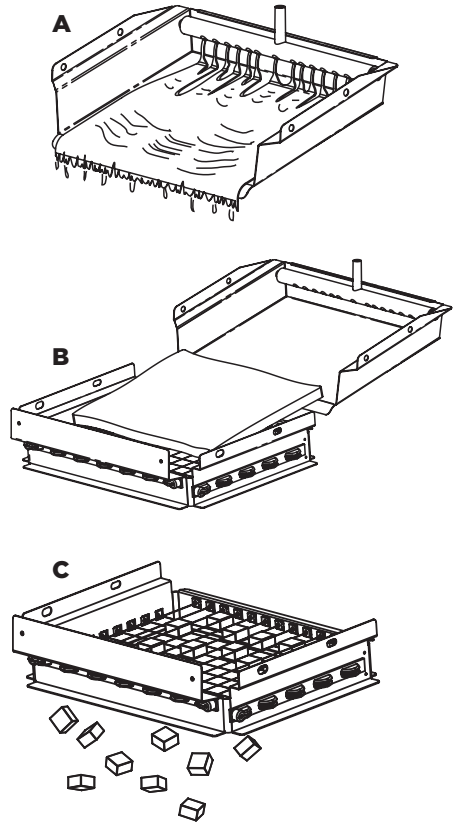
OPERATING INSTRUCTIONS

The ice making process

Your ice maker is unique in how it forms ice with fractional freezing to form a slab of ice that is clear and has less mineral content than the water it is produced from. This is accomplished by running water over the cold evaporator plate (A) which gradually freezes the water to produce the ice slab. Mineral deposits are left in the reservoir.

When the ice slab reaches the correct thickness, the ice sheet is released and slides onto the grid cutter (B). Here, the ice slab is cut into squares by the grid cutter's heated wires (C). The water containing the rejected minerals is drained after each freezing cycle. Fresh water enters the machine for the next ice making cycle.

The ice maker will keep producing ice until the ice maker's bin is full and will restart automatically when ice needs to be replenished in the bin. The ice bin is not refrigerated, and some melting will occur. Allow your ice maker to run for 24 - 48 hours to accumulate ice in the ice maker's bin.



OPERATING INSTRUCTIONS

The bin level sensor is located in the ice bin, it senses when the ice supply is low or full and starts or stops the ice making process accordingly.

Note: if the water supply is turned off to the ice maker be sure to set the switch to the 'Off' position.

Ice production

Your unit will produce approximately 30lbs (13.5kg) of ice in a 24-hour period when installed in a 70°F (21°C) ambient temperature with a 55°F (12°C) water supply.

Note: 'Initial' ice production and ice accumulated in the storage bin will vary significantly. This is normal. During the first 24-hours of operation the unit will produce approximately 30lbs (13.5kg) of ice at the above temperature conditions, but when starting with an empty ice storage bin, the storage bin may only accumulate approximately 18lbs (8kg) of ice. By design, the ice storage bin is maintained at a temperature slightly above freezing to allow the stored ice to slowly melt, to preserve the clarity and assure a constant supply of fresh ice. As ice is accumulated in the bin, the ice production rate will overcome the ice melt and the storage bin will fill to capacity.

New sounds

The ice maker will make sounds that are different than your household refrigerator. Because these sounds are new to you they may be of a concern but are most likely normal. Ice falling onto hard surfaces and water cascading across the evaporator will make sounds seem louder than they actually are. Following are some of the sounds that you may hear:

- A buzzing sound will be heard when the water valve opens to fill the water reservoir.
- You may hear a rattling noise which could be water flowing through the water line.
- A splashing sound may be heard when water is flowing over the evaporator plate and into the water reservoir.
- When the ice slab is released from the evaporator plate you may hear a 'thud' as it slides onto the grid cutter.
- At the end of an ice making cycle you may hear a gurgling sound which is refrigerant flowing in the ice maker.
- When the condenser fan turns on you might hear the air circulating over the condenser.

CARE AND CLEANING INSTRUCTIONS

Care of the ice maker

- Avoid leaning on the cabinet door. You may bend the door hinge or tip the ice maker.
- Exercise caution when sweeping, vacuuming or mopping near the front of the ice maker. Damage to the grille and/or switch can occur.
- Periodically clean the inside of the ice maker components and inside of the ice maker.
- Clean the exterior of the ice maker regularly. See 'Cleaning the ice maker' for further instructions.

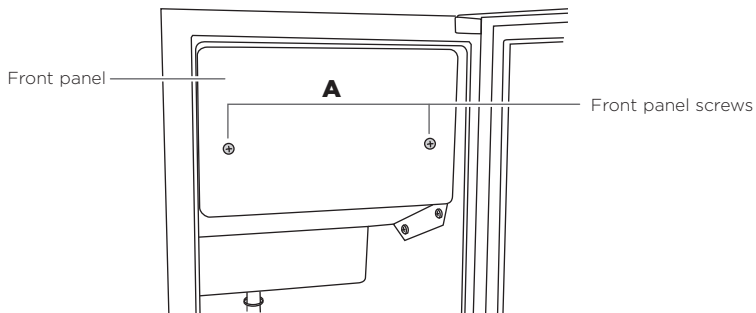
Cleaning the ice maker

Over time, mineral build up may be seen in the ice maker. This build up will need to be removed to ensure proper ice production and ice quality. Your ice maker is equipped with a cleaning mode that will help in cleaning out the impurities.

It is recommended that cleaning of the ice maker is done annually. When cleaning the ice maker use warm-soapy water and a lint free cloth, or a nickel safe ice maker cleaner. When using a nickel safe cleaner follow the manufacturer's instructions to ensure proper cleaning.

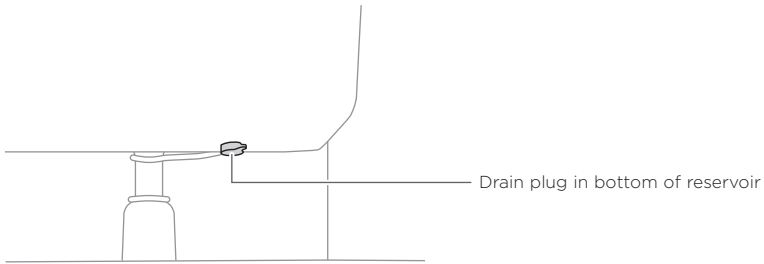
To clean the ice maker:

- ① Set the switch to the 'Off' position.
- ② Remove all the ice from the bin.
- ③ Remove the front panel by removing the 2 screws **(A)**.

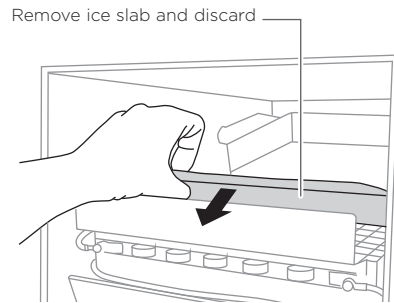
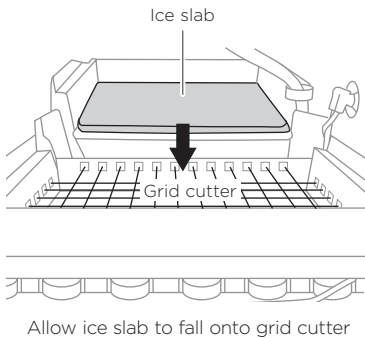


CARE AND CLEANING INSTRUCTIONS

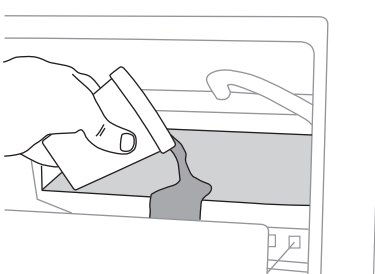
- ④ Remove the drain plug at the bottom of the reservoir to drain any remaining water and then reinstall.



- ⑤ Allow the ice to fall from the evaporator, remove and discard slab of ice.



- ⑥ When cleaning the interior of this product use a nickel free cleaner and follow the manufacturer's instructions for use. Add the recommended amount of concentrated cleaning solution to the reservoir of the ice maker by pouring the solution on the evaporator. This will then flow down into the reservoir.



CARE AND CLEANING INSTRUCTIONS

- ⑦ Set the switch on the grille of the ice maker to the 'Clean' position. The ice maker will automatically start and stop the cleaning cycle and 3/4 of a gallon (2.8L) of water will automatically be added to the cleaning solution.
- ⑧ The total cleaning time will end in 49 minutes. The cleaning cycle will automatically rinse the evaporator plate and also drain the cleaning solution and rinse the reservoir with water.
- ⑨ After the cleaning cycle has ended check that the build-up has been removed. The evaporator plate should be clean, shiny, and smooth to the touch. If build-up is still visible, repeat the cleaning cycle above.
- ⑩ Clean the ice maker's interior, ice scoop, interior door panel and door gasket with mild soap and water. Using two tablespoons of baking soda in 1qt (946ml) of warm water while cleaning will help remove odors. Rinse with fresh water. **Do not use any abrasive cleaning products.**
- ⑪ Replace the front panel.
- ⑫ Your ice maker is now clean and sanitized and may be put back into operation by setting the switch to the 'On' position.

Note: discard the first batch of ice. In the unlikely event a power interrupt occurs during the clean cycle, you need to start over from the beginning to assure complete cleaning and rinsing of the cleaning agent from the machine.

ENERGY SAVING TIPS

The following suggestions will minimize the cost of operating your ice maker appliance

- Do not install your appliance next to a hot appliance, (cooker, dishwasher, etc), heating air duct, or other heat sources.
- Install product out of direct sunlight.
- Assure the front grille vents at front of the ice maker beneath the door are not obstructed and kept clean to allow ventilation for the refrigeration system to expel heat.
- Plug your appliance into a dedicated power circuit. (Not shared with other appliances).
- Minimize door openings and duration of door openings.
- Set the control to the 'Off' position if cleaning the ice maker requires the door to be open for an extended period of time.

PREPARING THE ICE MAKER FOR STORAGE

If the ice maker is moved, not used for an extended period of time, or will be in an area that will be near freezing temperatures, it is necessary to remove any remaining water in the ice making system.

WARNING!

Risk of electrical shock or personal injury could occur due to moving components, if machine compartment access cover is removed before unplugging the ice maker.

IMPORTANT!

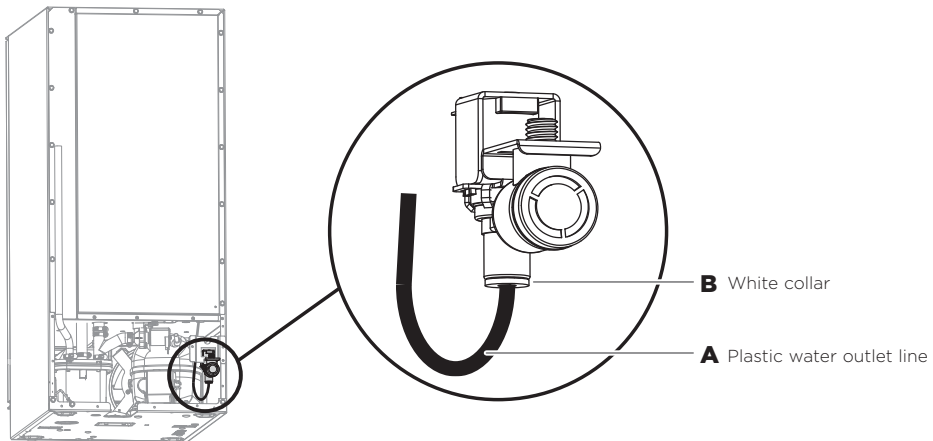
- **This ice maker must have all water drained and removed to prevent ice maker damage as well as possible water damage to the surrounding area in freezing conditions.**
- **These damages are not covered under warranty.**
- **Do not use any type of anti-freeze or other solution as a substitution for properly draining the ice maker.**

Before storage ensure the ice maker has been properly cleaned. Clearing the ice maker will help prevent mold and mildew growth as well as sanitize the ice maker for storage or when it is put back into service. See 'Care and cleaning instructions' for further instructions.

PREPARING THE ICE MAKER FOR STORAGE

Draining and removing water from the ice making system with a gravity drain

- ① Turn off water supply to the ice maker.
 - ② Disconnect the plastic water outlet line (A) from the water valve outlet by pushing up on the white collar (B) and pulling on the plastic water outlet line.
 - ③ Set the switch to 'Clean' for approximately one minute. This will energize and open the water valve outlet and remove most of the water from the valve and the plastic water outlet line (to the reservoir).
 - ④ Set the switch to 'Off' position. This will energize and open the drain valve to drain the reservoir and the ice maker drain system.
 - ⑤ Unplug the ice maker from the electrical outlet.
 - ⑥ Remove the access panel from the rear of the ice maker.
 - ⑦ Disconnect the water valve's plastic water outlet line from the reservoir and drain any remaining water left in the line.
 - ⑧ Reconnect the water valve outlet line by inserting the plastic water outlet line back into the white collar and push until it stops (about 1/2", (12mm), of water line will enter the valve).
- Note: do not turn the water on and allow water to enter back into the water valve.**
- ⑨ Reinstall the ice maker's access panel
 - ⑩ Clean and dry the ice maker's storage bin.
 - ⑪ Prop the door open for air circulation to prevent mold and mildew growth.



Draining water for drain pump applications

Follow steps ① through ⑪ for the gravity drain, then do the following:

- ⑫ Remove the drain pump from the ice maker (refer to 'Drain pump removal instructions').
- ⑬ Drain the water in the drain pump's reservoir by turning the pump upside down and allowing water to drain through the pump's inlet and vent tube fittings.
- ⑭ After all water is drained, reinstall the drain pump. Make certain all tubing is installed and all hose clamps are tight (refer to 'Drain pump removal instructions').

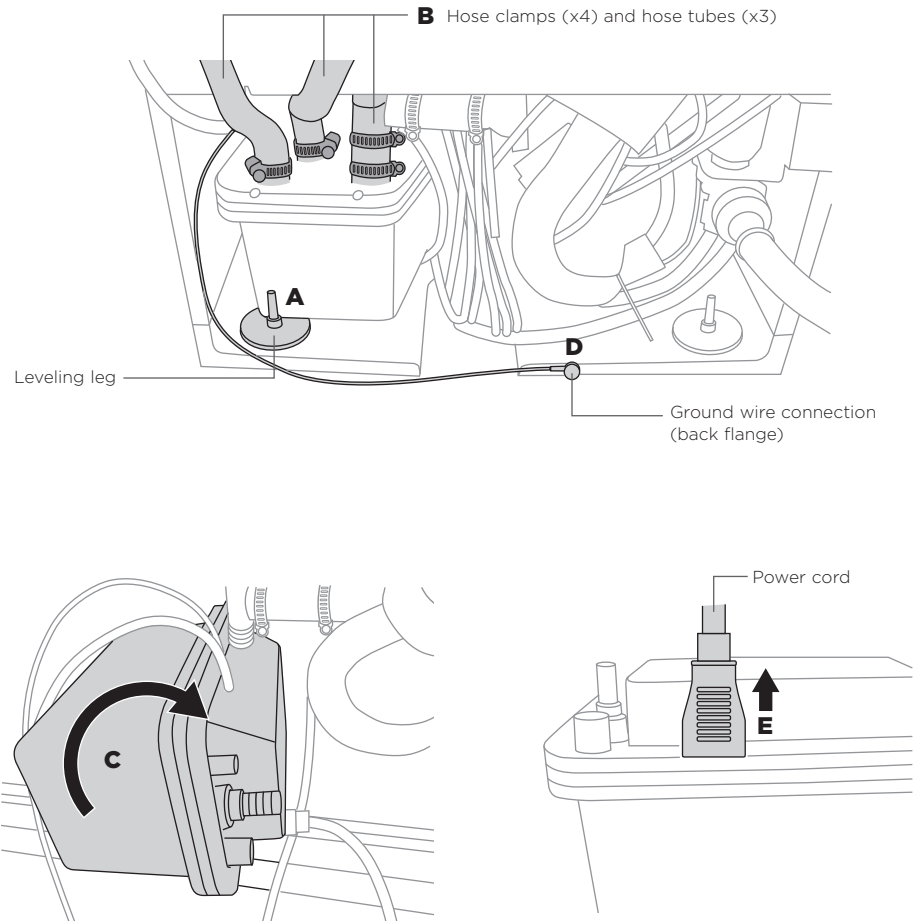
Note: to restart the ice maker refer to 'Operation (turning on the ice maker)'.

DRAIN PUMP REMOVAL INSTRUCTIONS

To remove the drain pump:

- ① Unplug ice maker from the electrical supply and remove the rear access cover from the ice maker.
- ② Unscrew the leveling leg in the back corner until the end of the threaded portion is flush with the threaded nut insert in the base (**A**).
- ③ Unscrew the 4 hose clamps and remove the 3 hoses from the front of the drain pump (**B**).
- ④ Rotate the drain pump and remove from the ice maker (**C**). It may be necessary to disconnect the ground wire connection in the back flange of the cabinet (**D**).
- ⑤ Disconnect the ice maker power cord from the drain pump (**E**).
- ⑥ To drain water from the pump refer to 'Preparing the ice maker for storage'.

Installation of drain pump is reverse of this procedure.



DRAIN PUMP REMOVAL INSTRUCTIONS

Additional issues to be inspected by the installer upon service replacement:

- ① The drain pump must be level.
- ② No pinched water lines.
- ③ No interference with electrical cords or wiring.
- ④ The drain pump should not set on any obstacles, wiring, etc.
- ⑤ Secure all hose clamps leading to and from the drain pump.
- ⑥ Insure that the vent tube height is adequate—18" (457mm) minimum.
- ⑦ Insure that drain height is adequate—maximum of 8ft (2.4m).
- ⑧ Insure that drain length is adequate—maximum of 20ft (6.1m).
- ⑨ Checked for water leaks after installation of the drain pump.
- ⑩ Check for vibrations caused by improper installation.
- ⑪ Insure that there is no interference with back access cover.
- ⑫ Insure that the hole grommets are in place at each location so that any vent or drain tubes do not rub on any sharp surfaces.

TROUBLESHOOTING

If there is a problem with your appliance, please check the following points before contacting your local DCS by Fisher & Paykel trained and supported service technician or the Customer Care Center.

Product parts can be purchased through DCS by Fisher & Paykel Customer Care Center or online at www.dcsappliances.com.

Ice maker operation

PROBLEM	POSSIBLE CAUSES	WHAT TO DO
Appliance does not operate.	No electricity at power outlet.	Check that the plug is correctly connected and power switched on at outlet.
	Ice maker is not powered on.	Check the switch is set to the 'On' position.
	Blown fuse or tripped circuit breaker.	Check house fuse and circuit breaker.
	Room temperature too cool.	The minimum room temperature is 55°F (13°C). The bin thermistor may be sensing the room temperature is too low and shut off before the bin is full of ice. If the room temperature remains low the ice maker may not restart.
	Drain pump reservoir full.	If a large amount of water was added to the ice maker then you should wait a few minutes for the drain pump to dispose of it. If there is still water in the ice bin check the drain pump vent line and drain line for obstructions or kinking.
Unfamiliar noises.	Sound of running water.	This is normal and will occur as water is added once every ice making cycle.
	Water is not getting to the ice maker.	Ensure the water is properly connected and that the drain plug is fully seated in the water reservoir.
	Slab of ice caught between the evaporator plate and grid cutter.	Ensure the ice maker is level, then run a cleaning cycle. See 'Cleaning the ice maker'.

TROUBLESHOOTING

Ice production problems

PROBLEM	POSSIBLE CAUSES	WHAT TO DO
Little or no ice production from the ice maker.	The ice maker is not powered on.	Check the switch is set to the 'On' position.
	Water is not getting to the ice maker.	Ensure the water is properly connected and that the drain plug is fully seated in the water reservoir.
	Blown fuse or tripped circuit breaker.	Check house fuse and circuit breaker.
	The ice maker has not completed its first full cycle.	On start up, allow the ice maker to run for 24 - 48 hours before checking ice production.
	Reservoir drain plug not in place.	Check that the reservoir drain plug is properly seated.
	Distributor tube restricted.	Check the water line to the ice maker to make sure there are no restrictions or kinks in the line. Check all filters to make sure they are not restricted. Check that the water flows evenly out of the distributor tube, if not, clean the ice maker. See 'Cleaning the ice maker'.
	Restricted air flow.	Make sure the grille in the front of the ice maker is open for proper air circulation.
	Ambient temperature or incoming water temperature too warm.	Move the ice maker to an area where the ambient temperature is below 90°F (32°C). The ice maker should not be placed next to a heat source such as an oven. Check the cold water connection.
	Mineral scale build up.	If there is scale build up on the evaporator, the ice maker needs to be cleaned. See 'Cleaning the ice maker'.
Water backing up in the ice bin.	Refer to 'Drain pump problems' in the 'Troubleshooting' section.	

TROUBLESHOOTING

Ice quality problems

PROBLEM	POSSIBLE CAUSES	WHAT TO DO
Odor, grey color, or off taste in the ice.	Mineral scale build up.	If there is scale build up on the evaporator, the ice maker needs to be cleaned. See 'Cleaning the ice maker'.
	High mineral content level in the water supply.	Install a water filter, or replace the current filter.
	Contamination from food and drinks being stored.	The ice maker is not designed for storage of food and drinks. Remove all food and drinks from the ice bin.
Clumps of ice.	Ice melting and refreezing.	Use ice frequently to ensure the ice maker is producing fresh ice.
		If clumps are found break them up using the ice scoop, or discard them.
Ice cubes are too big, too small, or hollow.	Slab of ice caught between the evaporator plate and grid cutter.	Ensure the ice maker is level, then run a cleaning cycle. See 'Cleaning the ice maker'.
	Distributor tube restricted.	Check the water line to the ice maker to make sure there are no restrictions or kinks in the line. Check all filters to make sure they are not restricted. Check that the water flows evenly out of the distributor tube, if not, clean the ice maker. See 'Cleaning the ice maker'.

Plumbing problems

PROBLEM	POSSIBLE CAUSES	WHAT TO DO
Ice maker not draining.	Drain lines or vents restricted.	Check that the drain and vent lines are free of kinks and restrictions.
	Ice bin drain blocked.	Check that foreign material is not blocking the ice bin drain located at the right rear corner of the ice bin.
	Drain pump is not level.	Check to make sure the drain pump is level.
	Drain hose not aligned.	Move the ice maker to align the drain hose over the drain.

Note: if there are plumbing issues outside of the ice maker, they cannot be repaired by the service technician. A qualified plumber will have to be called.

TROUBLESHOOTING

Drain pump problems

PROBLEM	POSSIBLE CAUSES	WHAT TO DO
The pump does not run.	No power to the pump.	Make sure the pump is plugged in and there is power to the receptacle.
	Drain lines or vents restricted.	Check that the drain and vent lines are free of kinks and restrictions.
	Inlet blocked with debris.	Remove clamps and inlet tube from drain pump and check for debris. Clean as needed.
	Not enough water.	Check that there is enough water to activate the drain pump—it will take at least 1qt (950ml) of water to activate.
Pump runs but no water is being pumped out.	Drain lines or vents restricted.	Check that the drain and vent lines are free of kinks and restrictions.
	Discharge tubing exceeded lift or run.	Make sure that the discharge tubing has not exceeded the maximum lift of 8ft (2.44m) and the horizontal run is not greater than 20ft (6.1m).
Pump runs and turns off repeatedly.	Drain pump is not level.	Check to make sure the drain pump is level.
	Drain lines or vents restricted.	Check that the drain and vent lines are free of kinks and restrictions.

LIMITED WARRANTY

When you purchase any new DCS by Fisher & Paykel product for personal or consumer use you automatically receive a two year limited warranty covering parts and labor for servicing within the 48 mainland United States, Hawaii, Washington DC and Canada. In Alaska the limited warranty is the same except that you must pay to ship the product to the service shop or the service technician's travel to your home. Products for use in Canada must be purchased through the authorized Canadian distribution channel to ensure regulatory compliance.

If the product is installed in a motor vehicle, boat or similar mobile facility, you receive the same two year limited warranty, but you must bring the vehicle, boat or mobile facility containing the product to the service shop at your expense or pay the service technician's travel to the location of the product.

You receive an additional three year limited warranty covering parts only for sealed refrigeration system (compressor, evaporator, condenser, filter dryer, and connecting tubing) within the 48 mainland United States, Hawaii, Washington D.C. and Canada. In Alaska the limited warranty for the sealed refrigeration system is the same except that you must pay to ship the product to the service shop or the service technician's travel to your home. This additional three year warranty commences on the day following the two year limited warranty.

There is no warranty for commercial purchase or use.

Fisher & Paykel undertakes to:

Repair or at its option replace without cost to the owner, with limited exceptions described herein, either for material or labor any part of the product, the serial number of which appears on the product, which is found to be defective within two years of purchase. In Alaska, you must pay to ship the product to the service shop or for the service technician's travel to your home. If the product is installed in a motor vehicle, boat or similar mobile facility, you must bring it to the service shop at your expense or pay for the service technician's travel to the location of the product. If we are unable to repair a defective part of the product after a reasonable number of attempts, at our option we may replace the part or the product, or we may provide you a full refund of the purchase price of the product (not including installation or other charges).

This limited warranty extends to the original purchaser and any succeeding owner of the product during the term of the limited warranty for products purchased for ordinary single-family home use.

All service under the two year limited warranty shall be provided by Fisher & Paykel or its trained and supported service technician during normal business hours.

How long does this limited warranty last?

Our liability under the two year limited warranty expires TWO YEARS from the date of purchase of the product by the first consumer. Our liability under the additional three year limited warranty expires three years after the expiration of the two year limited warranty.

Our liability under any implied warranties, including the implied warranty of merchantability (an unwritten warranty that the product is fit for ordinary use) may

LIMITED WARRANTY

expire TWO YEARS (or such longer period as required by applicable law) from the date of purchase of the product by the first consumer. Some states do not allow limitations on how long an implied warranty lasts, so this limit on implied warranties may not apply to you.

Fisher & Paykel will honor any warranty required by the law of the particular country or state in which the product is sold.

This limited warranty does not cover:

- Ⓐ Service calls that are not related to any defect in the product. The cost of a service call will be charged if the problem is not found to be a defect of the product. For example:
 - ① Correcting faulty installation of the product.
 - ② Instructing you how to use the product.
 - ③ Replacing house fuses, resetting circuit breakers, correcting house wiring or plumbing, or replacing light bulbs.
 - ④ Correcting fault(s) caused by the user.
 - ⑤ Changing the set-up of the product.
 - ⑥ Unauthorized modifications of the product.
 - ⑦ Noise or vibration that is considered normal, for example, drain/fan sounds, refrigeration noises or user warning beeps.
 - ⑧ Correcting damage caused by pests, for example, rats, cockroaches, etc.
- Ⓑ Defects caused by factors other than:
 - ① Normal domestic use or
 - ② Use in accordance with the product's user guide.
- Ⓒ Defects to the product caused by accident, neglect, misuse, fire, flood or Act of God.
- Ⓓ The cost of repairs carried out by non-authorized repairers or the cost of correcting such unauthorized repairs.
- Ⓔ Travel fees and associated charges incurred when the product is installed in a location with limited or restricted access. (eg airplane flights, ferry charges, isolated geographic areas).
- Ⓕ Normal recommended maintenance as set forth in the product's user guide.
- Ⓖ Filter replacement except in the case of faulty parts or materials within the filter cartridge.
- Ⓗ Damage (including water damage) caused by faulty installation or plumbing.

This product has been designed for use in a normal domestic (residential) environment. This product is not designed for commercial use (whatsoever). Any commercial use by a customer will affect this product's limited warranties.

If you have an installation problem contact your dealer or installer. You are responsible for providing adequate electrical, exhausting and other connection facilities.

Fisher & Paykel will not be responsible for consequential or incidental damages (including, without limitation, the cost of repairing or replacing other property damaged if the product is defective or any of your expenses caused if the product is defective). Some States do not allow the exclusion or limitation of incidental or consequential damages, so the above limitation or exclusion may not apply to you.

LIMITED WARRANTY

How to get service

Please read your user guide. If you then have any questions about operating the product, need the name of your local DCS by Fisher & Paykel trained and supported service technician, or believe the product is defective and wish service under this limited warranty, please contact your dealer or call us at:

USA and Canada

TOLL FREE **1.888.9.FNP.USA (1.888.936.7872)**

or use the link at: **www.fisherpaykel.com/locator/servicer/**

You may be required to provide reasonable proof of the date of purchase of the product before the product will be serviced under these limited warranties.

No other warranties

This limited warranty is the complete and exclusive agreement between you and Fisher & Paykel regarding any defect in the product and no other express warranty had been made or will be made on behalf of Fisher & Paykel. None of our employees (or our trained and supported service technicians) are authorized to make any addition or modification to these limited warranties.

Warrantor: Fisher & Paykel Appliances, Inc.

If you need further help concerning this limited warranty, please call us at above number, or write to:

Fisher & Paykel Appliances, Inc.
695 Town Center Drive, Suite 180
Costa Mesa
CA 92626

This limited warranty gives you specific legal rights, and you may also have other rights which vary from country to country and from state to state.

www.dcsappliances.com

© Fisher & Paykel Appliances 2016. All rights reserved.
The product specifications in this booklet apply to the specific products and models described at the date of issue. Under our policy of continuous product improvement, these specifications may change at any time. You should therefore check with your dealer to ensure this booklet correctly describes the product currently available.

US CA

844383 B 07.16