



# Dryer

---

## User manual

DV22N685\*H\* / DV22N680\*H\*

---

**SAMSUNG**



# Contents

---

<b>Safety information</b>	<b>4</b>
What you need to know about the safety instructions	4
Important safety symbols	4
CALIFORNIA PROPOSITION 65 WARNING	5
Important safety precautions	5
Warnings	7
Cautions	7
<b>Before installation</b>	<b>9</b>
Key installation requirements	9
Location considerations	9
Electrical requirements	12
<b>Installation</b>	<b>14</b>
What's included	14
Step-by-step installation	16
STEP 1 Connect the electrical wiring	16
STEP 2 Level the dryer	18
Drain hose (if necessary)	20
Installation checklist	23
Before using the dryer	23
Switching the door position	24
<b>Before you start</b>	<b>28</b>
Sort and load	28
Functional prerequisite	28
<b>Operations</b>	<b>29</b>
Control panel	29
Simple steps to start	32
Cycle overview	33
Cycle guide	34
Special features	36
SmartThings	37



---

<b>Maintenance</b>	<b>43</b>
Control panel	43
Tumbler	43
Stainless steel tumbler	43
Dryer exterior	43
Lint filter	43
Water tank	45
Heat exchanger	46
<b>Troubleshooting</b>	<b>48</b>
Checkpoints	48
Information codes	50
<b>Specifications</b>	<b>51</b>
Fabric care chart	51
Protecting the environment	52
Specification sheet	53
Cycle chart	54



# Safety information

---

Congratulations on your new Samsung dryer. This manual contains important information on the installation, use and care of your appliance. Please take some time to read this manual to take full advantage of your dryer's many benefits and features.

Install the clothes dryer according to the manufacturer's instructions and local codes.

## What you need to know about the safety instructions

---

Please read this manual thoroughly to ensure that you know how to safely and efficiently operate the extensive features and functions of your new appliance. Please store the manual in a safe location close to the appliance for future reference. Use this appliance only for its intended purpose as described in this instruction manual.

Warnings and Important Safety Instructions in this manual do not cover all possible conditions and situations that may occur. It is your responsibility to use common sense, caution and care when installing, maintaining and operating your dryer.

Because the following operating instructions cover various models, the characteristics of your dryer may differ slightly from those described in this manual and not all warning signs may be applicable. If you have any questions or concerns, contact your nearest service center or find help and information online at [www.samsung.com](http://www.samsung.com).

## Important safety symbols

---

What the icons and signs in this user manual mean:

### **WARNING**

Hazards or unsafe practices that may result in severe personal injury, death and/or property damage.

### **CAUTION**

Hazards or unsafe practices that may result in personal injury and/or property damage.

### **NOTE**

Indicates that a risk of personal injury or material damage exists.

**These warning signs are here to prevent injury to yourself and others.**

**Please follow them explicitly.**

**After reading this manual, store it in a safe place for future reference.**

Read all instructions before using the appliance.

As with any equipment that uses electricity and moving parts, potential hazards exist.

To safely operate this appliance, familiarize yourself with its operation and exercise care when using it.

# SAVE THESE INSTRUCTIONS



---

## CALIFORNIA PROPOSITION 65 WARNING

---

### **WARNING**

Cancer and Reproductive Harm - [www.P65Warnings.ca.gov](http://www.P65Warnings.ca.gov).

### **WARNING - Risk of Fire**

- Clothes dryer installation must be performed by a qualified installer.
- Install the clothes dryer according to the manufacturer's instructions and local codes.
- To reduce the risk of severe injury or death, follow all installation instructions.
- Save these instructions.

## Important safety precautions

---

### **WARNING**

To reduce the risk of fire, electric shock, or injury to persons when using your appliance, follow basic precautions, including the following:

1. Read all instructions before using this appliance.
2. Do not dry articles that have been previously cleaned in, washed in, soaked in, or spotted with gasoline, dry-cleaning solvents, or other flammable or explosive substances, as they give off vapors that could ignite or explode.
3. Do not use the dryer to dry clothes which have traces of any flammable substance, such as vegetable oil, cooking oil, machine oil, flammable chemicals, paint thinner, etc., or anything containing wax or chemicals, such as mops and cleaning cloths. Flammable substances may cause the fabric to catch fire by itself.
4. Do not store or use gasoline or other flammable vapors and liquids near this or any other appliance.
5. Do not allow children to play on or in the appliance. Close supervision of children is necessary when the appliance is used near children.
6. Before the appliance is removed from service or discarded, remove the door to the drying compartment.
7. Do not reach into the appliance if the drum is moving.
8. Do not install or store this appliance where it will be exposed to the weather.
9. Do not tamper with internal controls.

# SAVE THESE INSTRUCTIONS



# Safety information

---

10. Do not repair or replace any part of the appliance or attempt any service unless specifically recommended in the user-maintenance instructions or in published user-repair instructions that you understand and have the skills to carry out.
11. Do not use fabric softeners or products to eliminate static unless recommended by the manufacturer of the fabric softener or product.
12. Clean the lint screen before or after each load.
13. Do not use heat to dry articles containing foam rubber or similarly textured rubber-like materials.
14. The interior of the appliance should be cleaned periodically by qualified service personnel.
15. Do not place items exposed to cooking oils in your dryer. Items contaminated with cooking oils may contribute to a chemical reaction that could cause a load to catch fire. To reduce the risk of fire due to contaminated loads, the final part of a tumble dryer cycle occurs without heat (cool down period). Avoid stopping a tumble dryer before the end of the drying cycle unless all items are quickly removed and spread out so that the heat is dissipated.
16. This appliance must be grounded. See “**Electrical requirements**” and “**Grounding**” in “**Installation**” section.
17. Do not allow children to play on or in the appliance. Close supervision of children is necessary when the appliance is used near children.
18. Do not insert your hand under the dryer.
  - This may result in injury.
19. Take care that children’s fingers are not caught in the door when closing it.
  - This may result in injury.

**SAVE THESE INSTRUCTIONS**



**⚠ WARNING - To reduce the risk of fire or explosion:**

- Do not dry items that have been previously cleaned, washed, soaked, or spotted with gasoline, dry cleaning solvents, or other flammable or explosive substances. They emit vapors that could ignite or explode. Any material that has been in contact with a cleaning solvent or flammable liquids or solids should not be placed in the dryer until all traces of these flammable liquids or solids and their fumes have been removed. There are many highly flammable items used in homes, such as acetone, denatured alcohol, gasoline, kerosene, some liquid household cleaners, some spot removers, turpentine, waxes, and wax removers.
- Do not dry items containing foam rubber (may be labeled latex foam) or similarly textured rubber-like materials on a heat setting. Heated foam rubber materials can, under certain circumstances, ignite spontaneously.

**Warnings****⚠ WARNING**

- Ensure pockets are free of small, irregularly shaped hard objects and foreign material, i.e. coins, knives, pins, etc. These objects could damage your dryer.
- Sharp Edges - To reduce the risk of injury, use care when cleaning the condenser or evaporator coil fins.
- Certain internal parts are intentionally not grounded and may present a risk of electric shock only during servicing. Service Personnel - Do not contact the following parts while the appliance is energized: Control board, Motor, Drain pump.

**Cautions****⚠ CAUTION**

- Do not allow children or pets to play on, in, or in front of the appliance. Close supervision is necessary when the appliance is used near children and pets.
- Before discarding or removing your dryer from service, remove the door to the drying compartment to prevent children or animals from becoming trapped inside.
- Do not reach into the appliance when the drum is moving.
- Do not install or store this appliance where it will be exposed to the weather.
- Do not tamper with the controls.
- Do not repair, replace, or attempt to service any part of the appliance unless specifically instructed to in the user-repair instructions and you have the understanding and skills to carry out the procedure.

**SAVE THESE INSTRUCTIONS**



# Safety information

---

- Do not use fabric softeners or products to eliminate static unless the softener or product is recommended for dryer use by the manufacturer of the fabric softener or product.
- Clean the lint screen before or after each load.
- Keep the area around the exhaust opening and surrounding areas free from lint, dust, and dirt.
- The interior of the dryer and exhaust duct should be cleaned periodically by qualified service personnel.
- This appliance must be properly grounded. Never plug the power cord into a receptacle that is not grounded adequately or not in accordance with local and national codes. See the installation instructions for information about grounding this appliance.
- Do not sit on top of the dryer.
- Do not dry clothing with large buckles, buttons, or other heavy metal or solid objects.
- Install and use in accordance with the manufacturer's instructions.
- Do not place items in your dryer that have been spotted or soaked with vegetable oil or cooking oil. Even after being washed, these items may contain significant amounts of these oils.
- Residual oil on clothing can ignite spontaneously. The potential for spontaneous combustion increases when items containing vegetable oil or cooking oil are exposed to heat. Heat sources such as your dryer can warm these items, allowing an oxidation reaction in the oil to occur. Oxidation creates heat. If this heat cannot escape, the items can become hot enough to catch fire. Piling, stacking, or storing these kinds of items may prevent heat from escaping and can create a fire hazard.
- All washed and unwashed fabrics that contain vegetable oil or cooking oil can be dangerous.  
Washing these items in hot water with extra detergent will reduce, but not eliminate, the hazard. Always use the Cool Down cycle for these items to reduce their temperature. Never remove these items from the dryer hot or interrupt the drying cycle until the items have run through the Cool Down cycle. Never pile or stack these items when they are hot.

**SAVE THESE INSTRUCTIONS**





# Before installation

Read through the following instructions before installing the dryer, and keep this manual for future reference.

## **WARNING**

Certain internal parts are intentionally not grounded and may present a risk of electric shock only during servicing. Service Personnel - Do not contact the following parts while the appliance is energized: Control board, Motor, Drain pump.

## Key installation requirements

- A grounded electrical outlet.
- A power cord for electric dryers (except in Canada).
- A sink or drain pipe if you want to drain the water captured during drying through the supplied long drain hose. (See page 20.)

## **WARNING**

Remove the door from all discarded appliances to prevent a child from suffocating.

## Location considerations

- Adequate clearances between the dryer and adjacent walls or other surfaces.
- Adequate air circulation for ventilation.
- Away from water and weather.

## **WARNING**

- Keep the dryer area clear of combustible materials, gasoline, and other flammable vapors and liquids.
- Do not install other fuel-burning appliances around or in the same place as the dryer.
- Place dryer at least 18 in (460 mm) above the floor for a garage installation.

## Alcove or closet installation

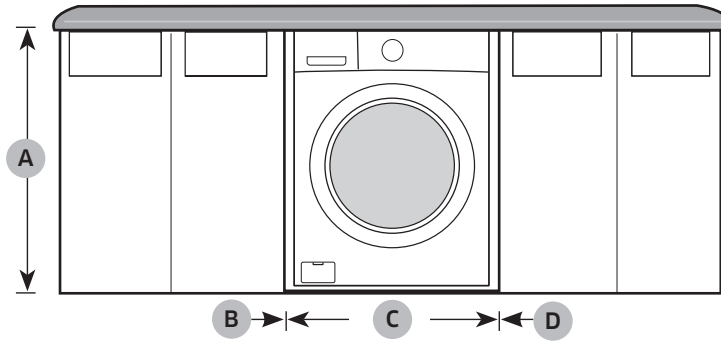
Minimum Clearance for stable operation:

Sides	1 in. (25 mm)
Top	1 in. (25 mm)
Rear	2 in. (50 mm)
Front	1 in. (25 mm)

The closet front must have two unobstructed air openings for a combined minimum total area of 72 in<sup>2</sup> (465 cm<sup>2</sup>) with 3" (7.6 cm) minimum clearance on the top and bottom. A louvered door with equivalent space clearance is acceptable.

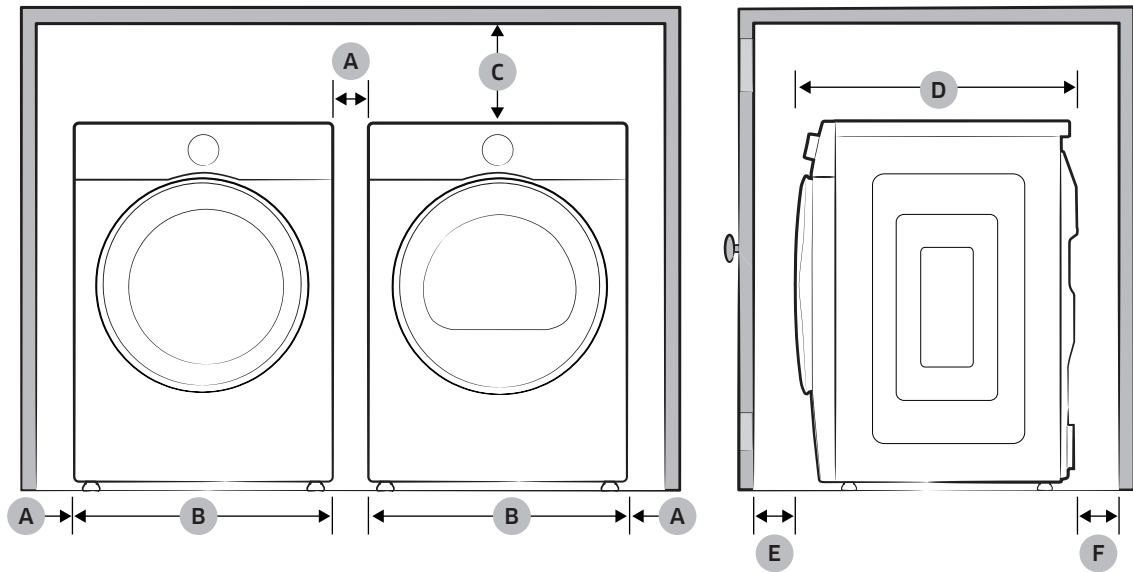
# Before installation

## Undercounter installation



A	34.4 in. (875 mm)	C	23.6 in. (600 mm)
B	1 in. (25 mm)	D	1 in. (25 mm)

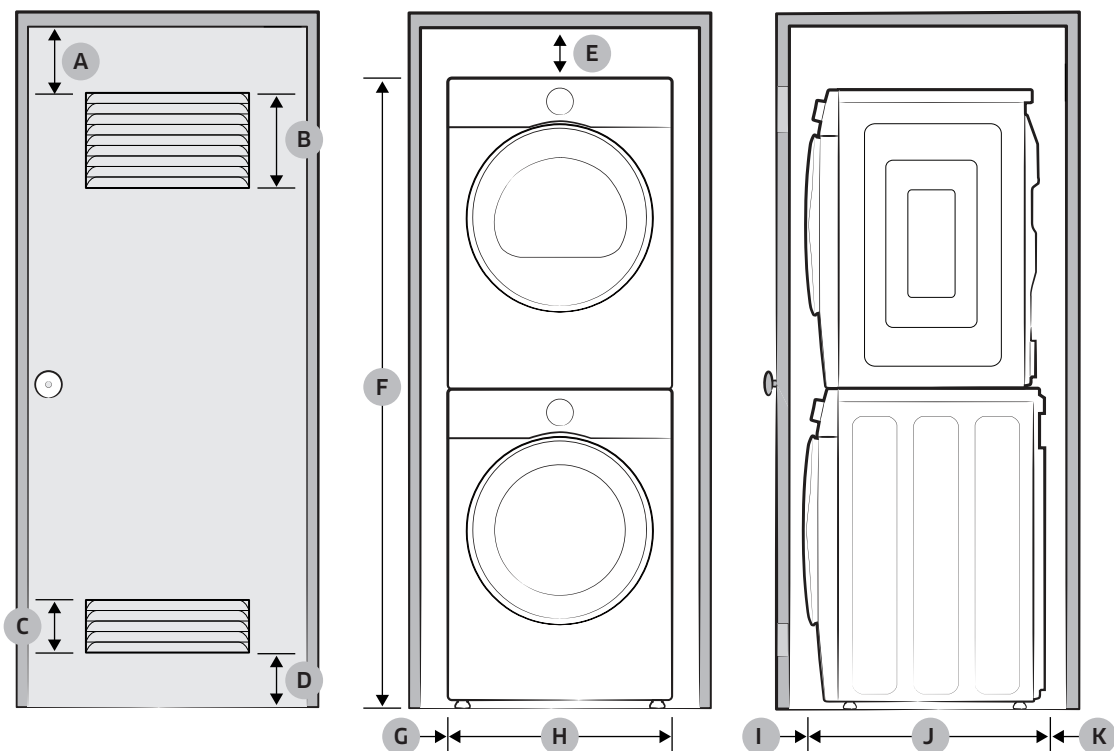
## Side by side installation



A*	1 in. (25 mm)	D	25.6 in. (650 mm)
B	23.6 in. (600 mm)	E	1 in. (25 mm)
C	1 in. (25 mm)	F	2 in. (50 mm)

\*This Clearance is not applicable to standalone dryer.

## Stacked installation (Model: SK-DH)



Before installation

A	3 in. (76 mm)	G	1 in. (25 mm)
B	48 in <sup>2</sup> . (310 mm <sup>2</sup> )	H	23.6 in. (600 mm)
C	24 in <sup>2</sup> . (155 mm <sup>2</sup> )	I	1 in. (25 mm)
D	3 in. (76 mm)	J	27.1 in. (688 mm)
E	6 in. (152 mm)	K	2 in. (50 mm)
F	67 in. (1702 mm)		

### **⚠ WARNING**

Samsung's washers and dryers can be stacked to maximize usable space. You can purchase an optional stacking kit from your Samsung retailer.



# Before installation

---

## Electrical requirements

---

The wiring diagram is located on the plate under the control panel or rear frame.

### **WARNING**

- Improperly connecting the equipment grounding conductor can result in a risk of electric shock. Check with a qualified electrician or serviceman if you are in doubt as to whether your dryer is properly grounded. Do not modify the plug provided with your dryer - if it doesn't fit the outlet, have a proper outlet installed by a qualified electrician.
- To prevent unnecessary risk of fire, electrical shock, or personal injury, all wiring and grounding must be done in accordance with local codes, or in the absence of local codes, in accordance with the National Electrical Code, ANSI/NFPA No. 70-Latest Revision (for the U.S.) or the Canadian Electrical Code CSA C22.1 - Latest Revisions and local codes and ordinances. It is your responsibility to provide adequate electrical service for your dryer.

## Grounding

This dryer must be grounded. In the event of a malfunction or breakdown, the ground will reduce the risk of electrical shock by providing a path of least resistance for the electrical current.

### **WARNING**

- Your dryer has an optional cord with an equipment-grounding conductor and a grounding plug. This cord is sold separately.
- The plug must be plugged into an appropriate outlet that is properly installed and grounded in accordance with all local codes and ordinances.
- Do not modify the plug provided with your dryer - if it doesn't fit the outlet, have a proper outlet installed by a qualified electrician.
- If a power cord is not used and the electric dryer is to be permanently wired, the dryer must be connected to a permanently grounded metal wiring system, or an equipment grounding conductor must be run with the circuit conductors and connected to the equipment grounding terminal or lead on the dryer.



## Electrical connections

Before operating or testing, follow all grounding instructions in the “**Grounding**” section. An individual branch (or separate) circuit serving only your dryer is recommended.

Do not use an extension cord.

### U.S. only

Most U.S. dryers require a 240 volt, 60 Hz AC approved electrical service. Some require 208 volt, 60 Hz approved electrical service. The electric service requirements can be found on the data label located behind the door. A 30-ampere fuse or circuit breaker on both sides of the line is required.

- If a power cord is used, the cord should be plugged into a 30-ampere receptacle.
- The power cord is not provided with U.S. electric model dryers. This cord is sold separately.

### **WARNING**

#### **Risk of Electric Shock**

When local codes allow, you can connect the dryer’s electrical supply with a new power supply cord kit, marked for use with a dryer, that is U.L. listed and rated at a minimum of 240 volts, 30-amperes with three No. 10 copper wire conductors terminated with closed loop terminals, open-end spade lugs with turned up ends, or with tinned leads.

- Do not reuse a power supply cord from an old dryer. The power cord electric supply wiring must be supported at the dryer cabinet by a suitable UL-listed strain relief.

- Grounding through the neutral conductor is prohibited for (1) new branch-circuit installations, (2) mobile homes, (3) recreational vehicles, and (4) areas where local codes prohibit grounding through the neutral conductor. (Use a 4-prong plug for a 4 wire receptacle, NEMA type 14-30R.)

### Canada Only

- A 240 volt, 60 Hz AC approved electrical service fused through a 30-ampere fuse or circuit breaker on both sides of the line is required.

### **NOTE**

All Canadian models are shipped with the power cord attached. The power cord should be plugged into a 30-ampere receptacle.

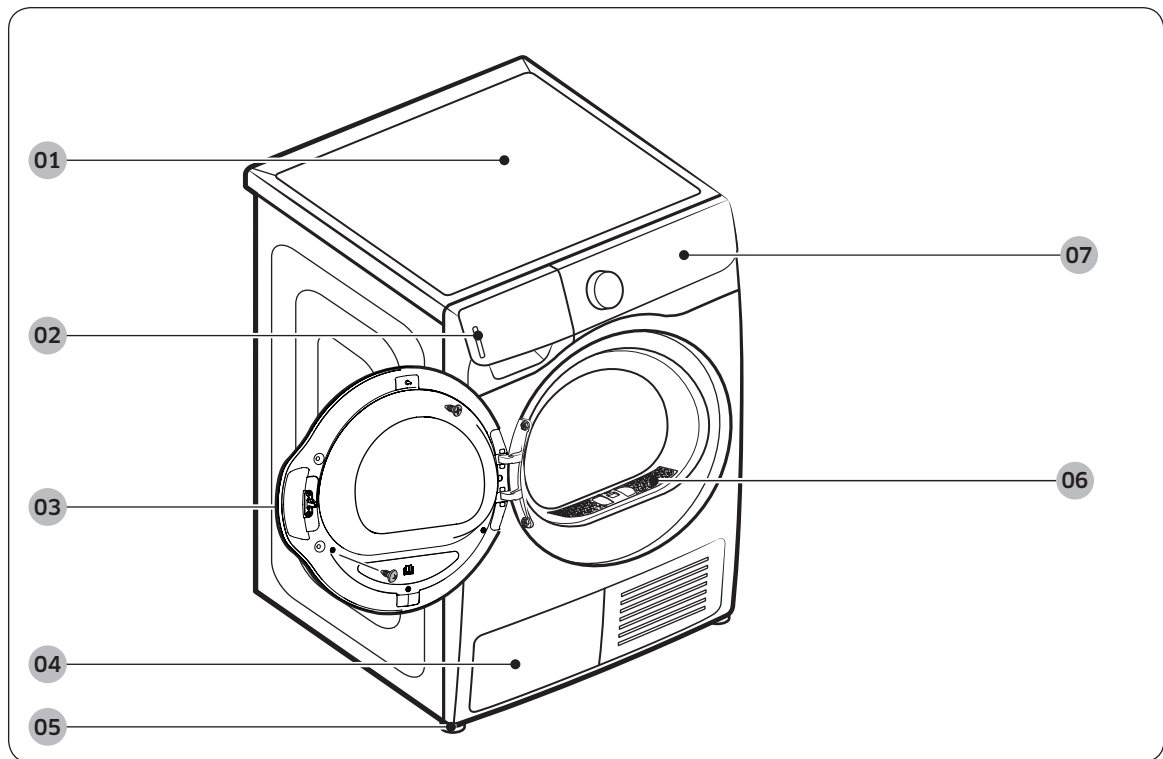
In Canada, you may convert a dryer to 208 volt.

# Installation

## What's included

Carefully unpack the dryer. Keep all packaging materials away from children. The parts and location of parts shown below may differ from your dryer. Before installation, make sure the dryer has all the parts listed here. If the dryer and/or parts are damaged or missing, contact the nearest Samsung customer service center.

## Dryer at a glance



**01** Top cover

**02** Water Tank

**03** Door

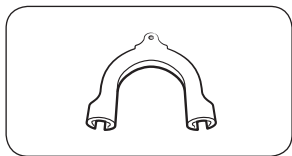
**04** Heat exchanger

**05** Levelling Leg

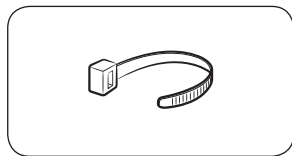
**06** Lint filter

**07** Control Panel

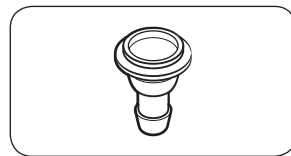
## Accessories (supplied)



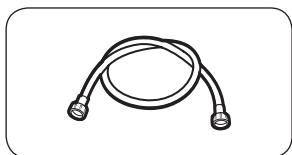
Hose guide



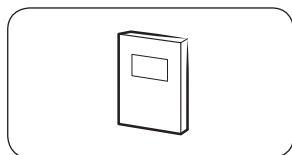
Cable tie



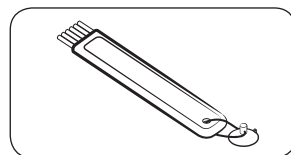
Hose connector



Long drain hose (6.5 ft/2 m)

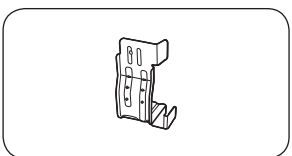


User manual



Cleaning brush

## Accessories (Canada Model Only)



Bracket-Stacking kit  
(SK-DH)

### NOTE

- The stacking kit allows the dryer to be stacked on top of a washer. Please note that the stacking kit can only be used with Samsung washers and dryers. To purchase a bracket stacking kit, contact a Samsung service center or local appliance retailer. The stacking kit differs with the washer model.
- For stacking instructions for the dryer, see the installation manual included in the stacking kit.
- For information about model-specific availability of the stacking kit, see the installation manual included in the stacking kit.

# Installation

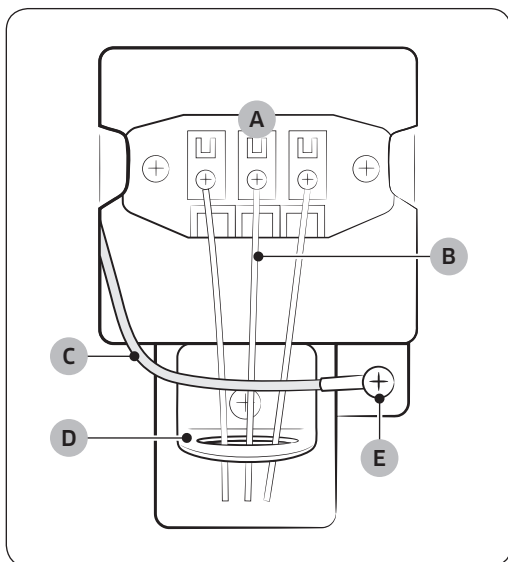
## Step-by-step installation

Make sure you have a qualified technician install the dryer. Step by step installation instructions start below.

### STEP 1 Connect the electrical wiring

First, read through the “**Electrical requirements**” section, and then follow the instructions on this page or the next page. Instructions for a 3-wire system are on this page. Instructions for a 4-wire system are on the next page.

For a 3-wire system



- A. Center silver-colored terminal block screw
- B. Neutral wire (white or center wire)
- C. Neutral grounding wire (white or green/yellow)
- D.  $\frac{3}{4}$ " (1.9 cm) UL-listed strain relief
- E. External ground connector

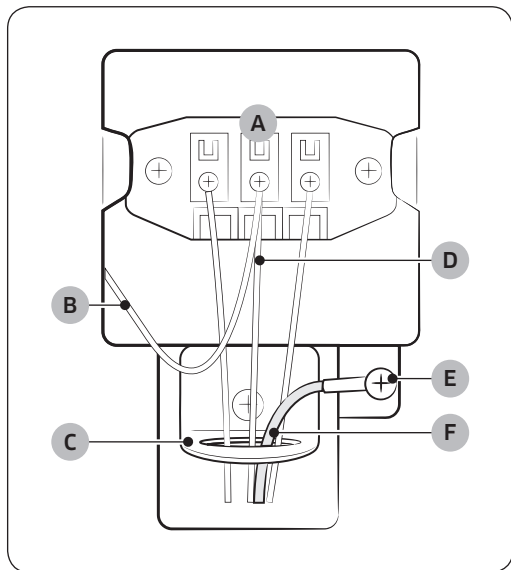
1. Loosen or remove the screws from the center terminal block.
2. Connect the neutral wire (white or center wire) of the power cable to the center, silver-colored terminal screw of the terminal block. Tighten the screws.
3. Connect the other wires to outer terminal block screws. Tighten the screws.
4. Tighten the strain relief screws.
5. Insert the terminal block cover into the rear panel of the dryer. Then, secure the cover with a hold-down screw.

#### CAUTION

- To convert from the 4-wire system to 3-wire system, connect the ground strap to the terminal block support to ground the dryer frame to the neutral conductor.
- Ring-type terminals are recommended. If using strap terminals, make sure they are tightened.



## For a 4-wire system



- A.** Center silver-colored terminal block screw
- B.** Neutral grounding wire (white or green/yellow)
- C.**  $\frac{3}{4}$ " (1.9 cm) UL-listed strain relief
- D.** Neutral wire (white or center wire)
- E.** External ground connector
- F.** Green or bare copper wire of power cord

**⚠ WARNING**

- All U.S. models are designed for a 3-wire system connection. The dryer frame is grounded to the neutral conductor at the terminal block. A 4-wire system connection is required for new or remodeled construction, mobile homes, or if local codes do not permit grounding through neutral. If you use the 4-wire system, you cannot ground the dryer frame to the neutral conductor at the terminal block.
- Remove the terminal block cover plate.

1. Remove the external ground connector's screw, and connect the ground wire (green or unwrapped) of the power cable to the screw.

**⚠ CAUTION**

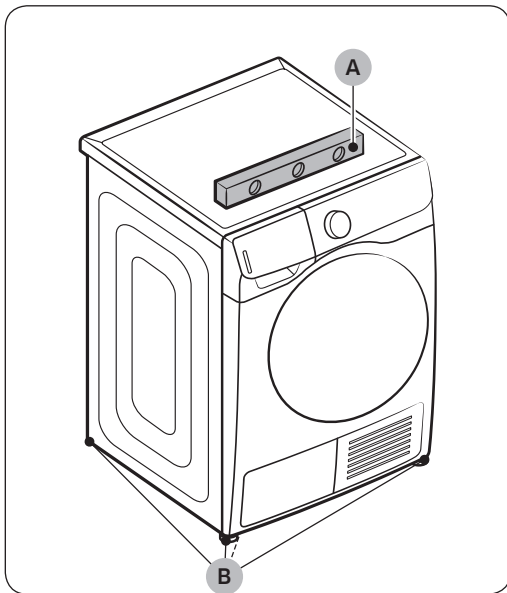
- To connect the ground wire to the neutral position without through contact A (cabinet ground), contact a technician. This is not user serviceable.
  - Ring-type terminals are recommended. If using strap terminals, make sure they are tightened.
2. Loosen or remove the screws from the center terminal block.
  3. Connect the neutral wire (white or center wire) and ground wire (white) to the center, silver-colored terminal screw of the terminal block. Tighten the screw.
  4. Connect the other wires to the outer terminal block screws. Tighten the screws.
  5. Tighten the strain relief screws.
  6. Insert the tab of the terminal block cover into the rear panel of the dryer. Then, secure the cover with a hold-down screw.

# Installation

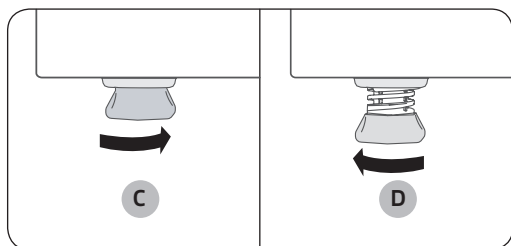
- Insert the power cord with a UL-listed strain relief through the hole provided in the cabinet near the terminal block.
- A strain relief must be used.
- Do not loosen the nuts already installed on the terminal block. Be sure they are tight.
- Use a 3/8" (1 cm) deep well socket.

## STEP 2 Level the dryer

Before you install the dryer, make sure you have read the Installation requirements on page 9. Please note that the following instructions are for installation without using a drain hose. For instructions on using a drain hose, see the next section, Drain hose (if necessary) on page 20. For convenience, consider installing the dryer next to your washer.



1. Carefully move the dryer to the desired location.
2. Use a level (A) and check the levelness of the dryer from side to side and front to back.
3. If the dryer is not level, adjust the levelling legs (B). Turning a leg counter-clockwise retracts the leg. Turning a leg clockwise extends the leg.
4. Once the dryer is level, make sure the dryer stands firmly on the floor.
5. Plug in the dryer.

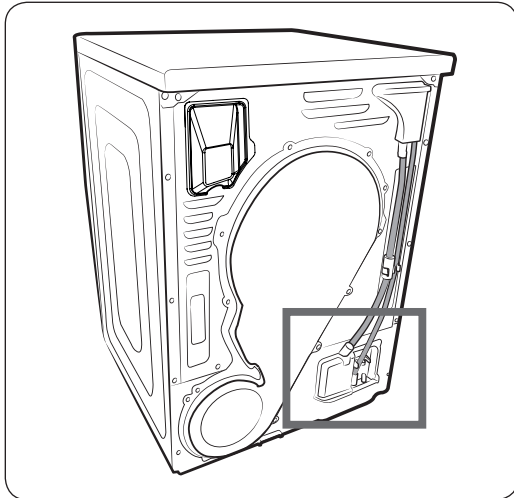


**NOTE**

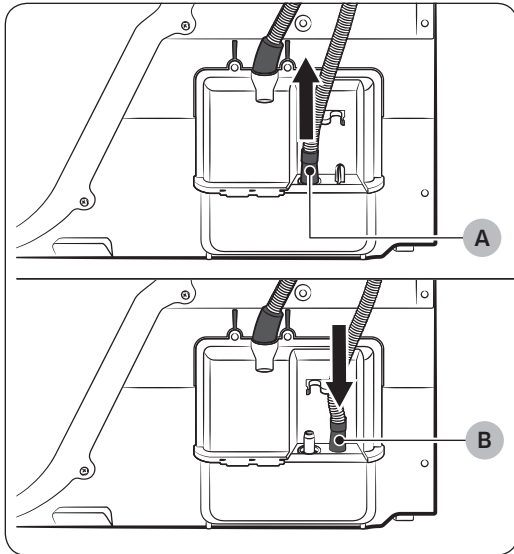
- The dryer can be levelled using either or both of the front and rear legs of the dryer.
- To set the dryer to the same height as the washer, **fully retract (C)** the levelling legs by turning them counter clockwise, then **loosen (D)** the legs by turning them clockwise.
- Extend the levelling leg only as much as necessary. Extending the levelling leg more than necessary can cause the dryer to vibrate.

# Installation

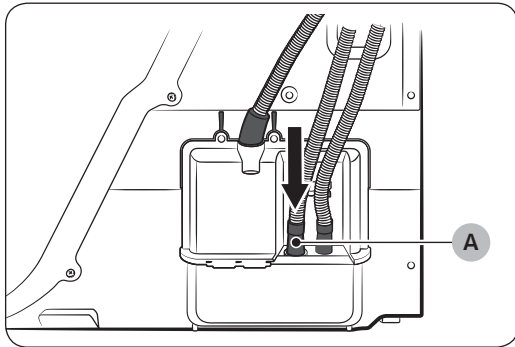
## Drain hose (if necessary)



Important: This dryer comes with a built in water tank that stores water captured by the dryer from drying clothes. The water tank must be emptied manually before or after each load. See page 45. However, you can install the provided long drain hose as described below and have the water empty directly into a nearby sink or drain pipe automatically.

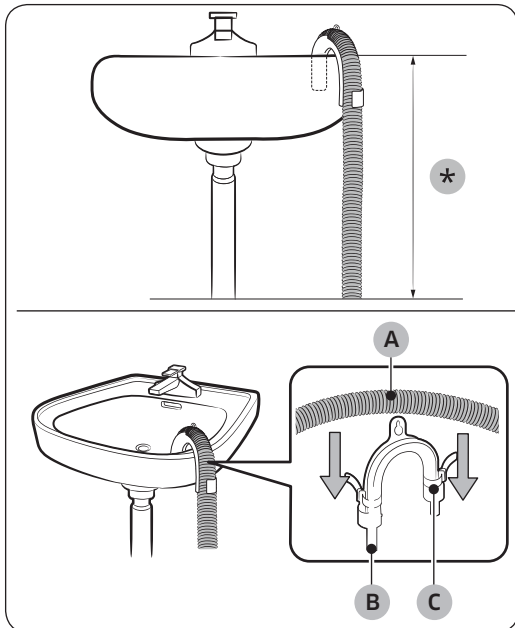


1. Remove the drain hose from hole (A), and insert it into hole (B).



2. Insert one end of the accessory hose (the long drain hose) into **hole (A)**.
3. Position the other end (the outlet) over a laundry sink or connect it to the drain pipe of a laundry sink. See the instructions below or on the next page.

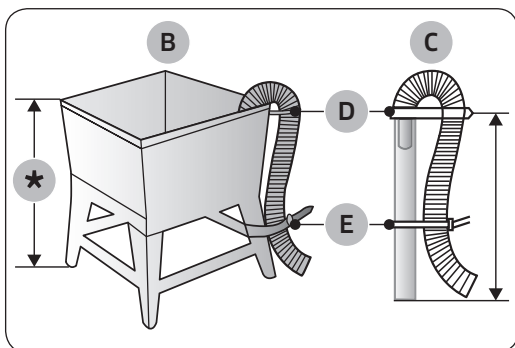
### Over a laundry sink:



1. Make sure to place the end of the accessory hose no more than **3 ft. (90 cm)** above the bottom of dryer.
2. To bend the accessory hose so that it hooks over the edge of the sink, use the supplied plastic **hose guide (B)** and secure the guide to the wall with a hook or to the tap with a piece of string. Assemble the **drain hose (A)** and the **hose guide (B)** and fix them with the **cable-tie (C)**.

### ⚠ CAUTION

Do not extend the drain hose by connecting another hose to it. Water can leak from the connected area. If you need more length, use a longer drain hose.



### In a standpipe or laundry tub

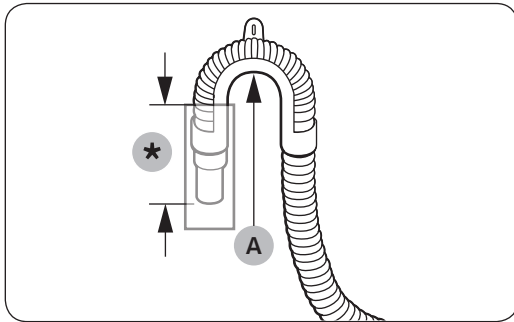
The **laundry tub (B)** or **standpipe (C)** must be no higher than **35.4 In (90 cm)**.

Make sure the drain hose and the standpipe are not airtight.

### 📄 NOTE

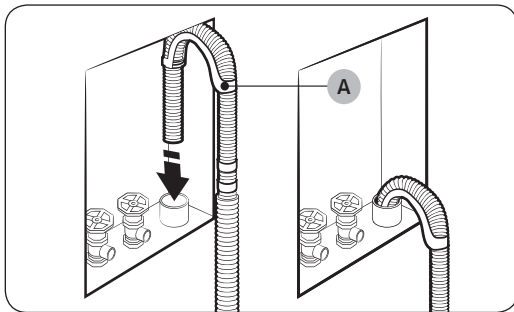
D: Hose retainer / E: Tie straps

# Installation



## ⚠ CAUTION

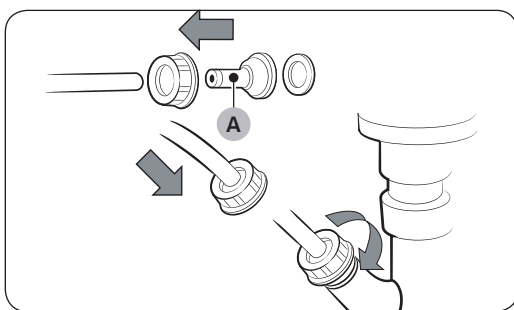
- Connect the hose guide (A) within 6 in. (15 cm)\* of the end of the drain hose. If the drain hose is extended beyond the end of the hose guide, mold or microorganisms could spread inside the dryer.
- The drain hose can be installed up to 35.4 in. (90 cm) high, but the draining capability can be reduced at the maximum height. Too much water remaining in Dryer may cause malfunction.



## Wall standpipe drain system

The drain hose can be placed into a wall standpipe drain system. To keep the end of the drain hose bent, use the supplied hose guide (A). Secure the guide to the wall using a hook to ensure stable drainage.

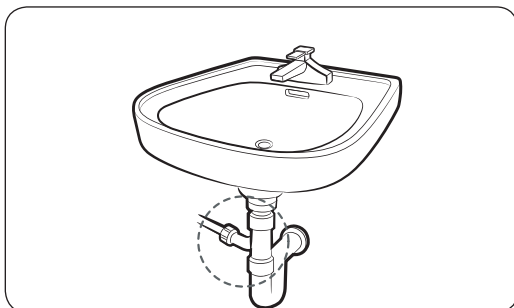
## By using the drain pipe of the laundry sink:



1. Assemble the hose connector (A), and attach it to the end of the accessory hose as shown.

## ⚠ CAUTION

To prevent water leaks, make sure to connect the hose and the connector firmly.



2. Connect the hose adaptor directly to the drain pipe of the laundry sink.

---

## Installation checklist

---

- The dryer is plugged into a properly grounded outlet.
- All packaging material is completely removed and properly disposed.
- The dryer is level and standing firmly on the floor.
- The long drain hose is installed if you want water captured by the drying process drained automatically.
- Start the dryer to make sure that it runs, heats, and shuts off.
- Run a **TIME DRY** cycle for 20 minutes to see if the **HC** information code is displayed. If this is the case, contact a local service center.
- After installation, we recommend that you wait at least 1 hour before using the dryer.

---

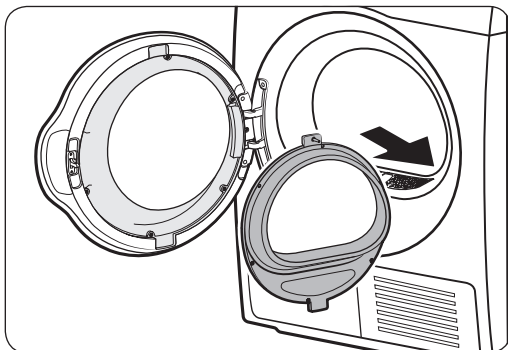
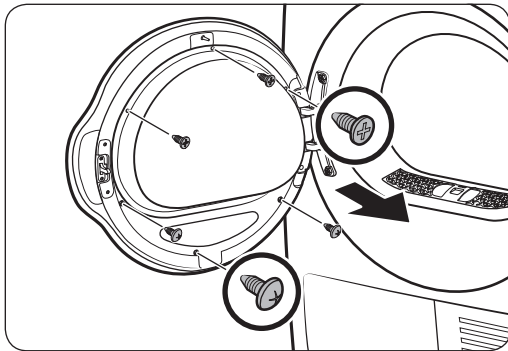
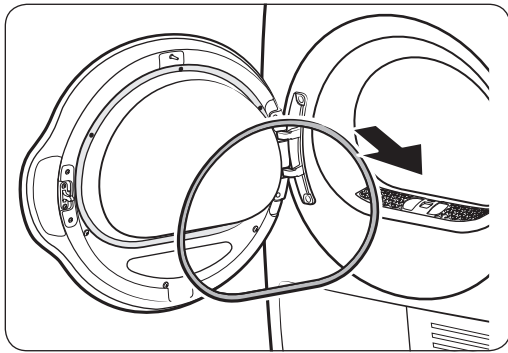
## Before using the dryer

---

- Make sure no accessory remains inside the drum.
- Plug in the power cord just before operating the dryer.
- Do not block the air inlet hole of the cooling grill at the front of the dryer.
- Do not place flammable objects near the dryer and keep the surrounding area clean.
- Keep the dryer level with the ground.
- Do not remove the adjustable levelling legs of the dryer. They are necessary to keep the dryer level.

# Installation

## Switching the door position



To reverse the direction of the door, we recommend that you contact a qualified technician and have the technician follow the directions below.

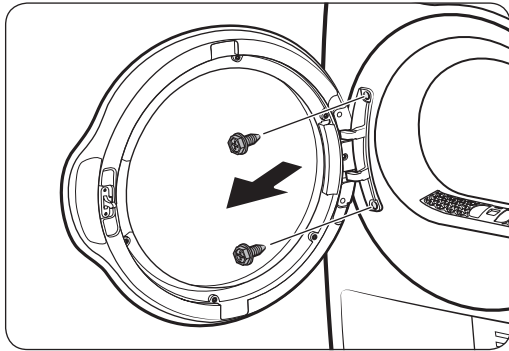
1. Remove the door packing from the door.
2. Remove the screws on the inner glass holder of the door.
  - Loosen and remove the 3 screws on the top and 3 screws on the bottom.

3. Detach the glass holder.

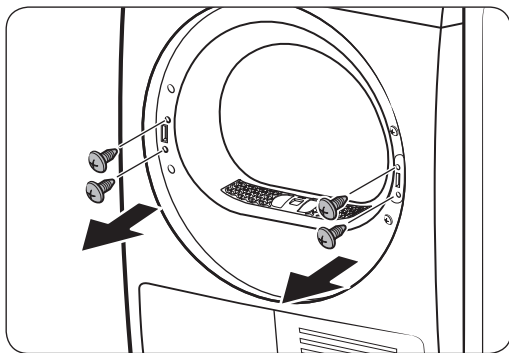
**⚠ CAUTION**

Be careful not to drop any part of the holder when detaching it. Property damage (cracks or breaks) or physical injury may occur.

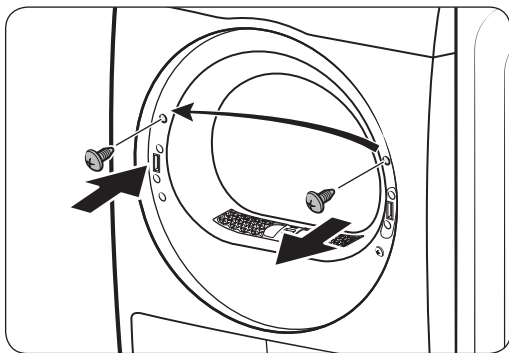




4. Remove the hinge screws, and then detach the door.
  - Loosen and remove the 2 bolts on the door frame.
  - To prevent abrasion on the bolts, use a hex screwdriver.

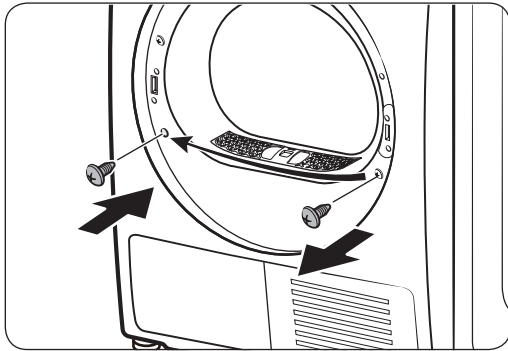


5. Remove the 2 holder screws on the left frame, and then remove the 2 bracket screws on the right frame.

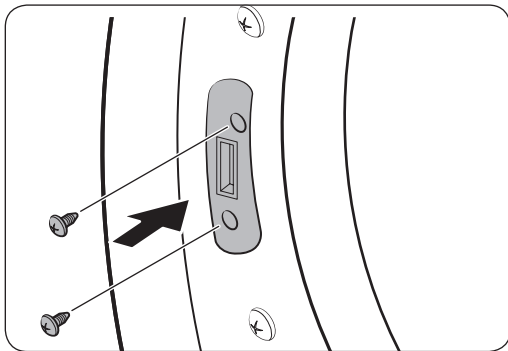


6. Remove the upper screw on the right of the door frame, and then insert it in the corresponding left hole of the door frame. Do not remove the lower bracket screws.

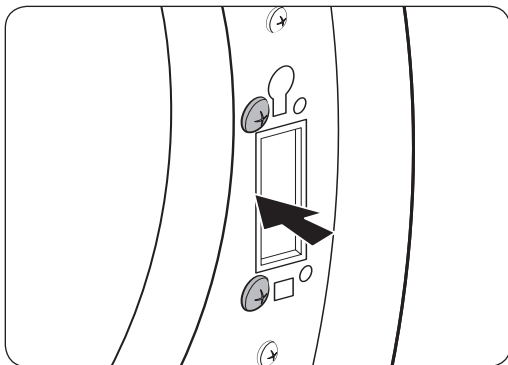
# Installation



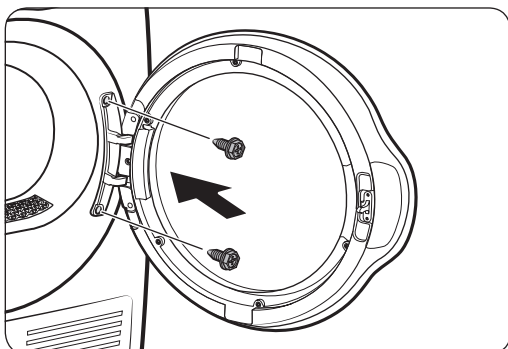
7. Remove the bottom screw on the right frame, and then insert it in the corresponding hole on the left frame.



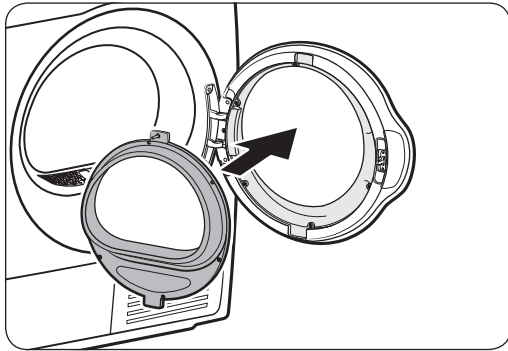
8. Insert the 2 removed bracket screws in the left frame as shown.  
- See the figure on the left for the correct position of the screws.



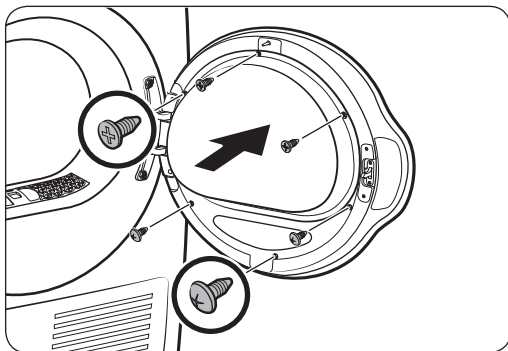
9. Insert the 2 removed holder screws in the right frame as shown.  
- See the figure on the right for the correct position of the screws.



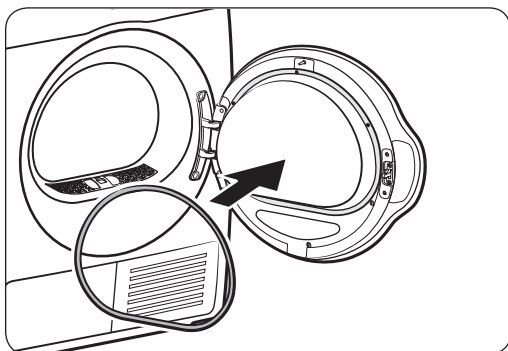
10. Insert the door hinge in the opposite position of the door frame, and then, tighten the 2 bolt screws.



- 11.** Insert the inner glass holder in the door cover that has been installed on the right frame.



- 12.** Tighten the 3 screws on the top and 3 screws on the bottom.



- 13.** Attach the door packing to the door.

# Before you start

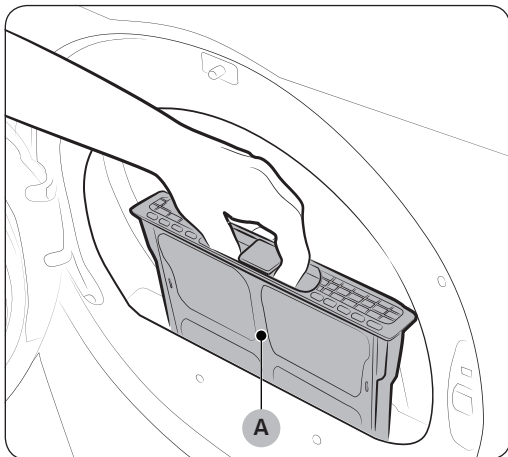
Here are a few things you should know before starting your dryer.

## Sort and load

- Put one wash load in the dryer at a time.
- Do not mix heavy and lightweight items together.
- To improve drying efficiency for one or two items, add a dry towel to the load.
- For best results, untangle items before inserting them into the dryer.
- Overloading reduces the tumbling action, resulting in uneven drying and wrinkling and longer drying time.
- Unless recommended on the care label, do not dry woolens or fiberglass items.
- Avoid drying unwashed items.
- Do not dry items soiled with oil, alcohol, gasoline, etc.

## Functional prerequisite

### Lint filter



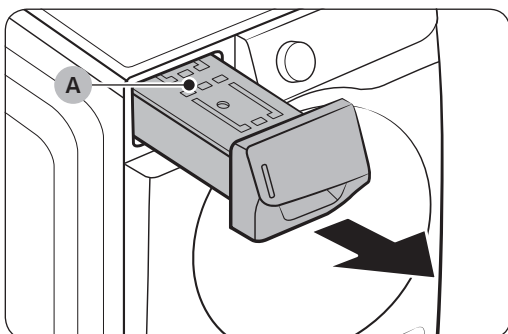
To prevent a risk of fire, make sure to clean the lint filter before or after every load.

1. Turn off the dryer.
2. Open the door, and pull out the lint filter (A) from inside the tumbler.
3. Remove the lint that has accumulated, and then clean the lint filter.
4. Reinsert the lint filter, and then close the door.

### ⚠ CAUTION

- Do not operate the dryer without the lint filter in place.
- Do not use a damaged or broken lint filter. This may reduce performance and/or cause a fire.

### Water Tank



If you have not installed the long drain hose, empty the water tank before or after every load to avoid leaks.

1. Using both hands, pull the water tank forward to remove.
2. Empty the water through the drain hole on top, and then place the water tank back into place.

### 📄 NOTE

- If you empty the water tank and then press and hold Start/Pause (Hold to Start), the corresponding indicator turns off.

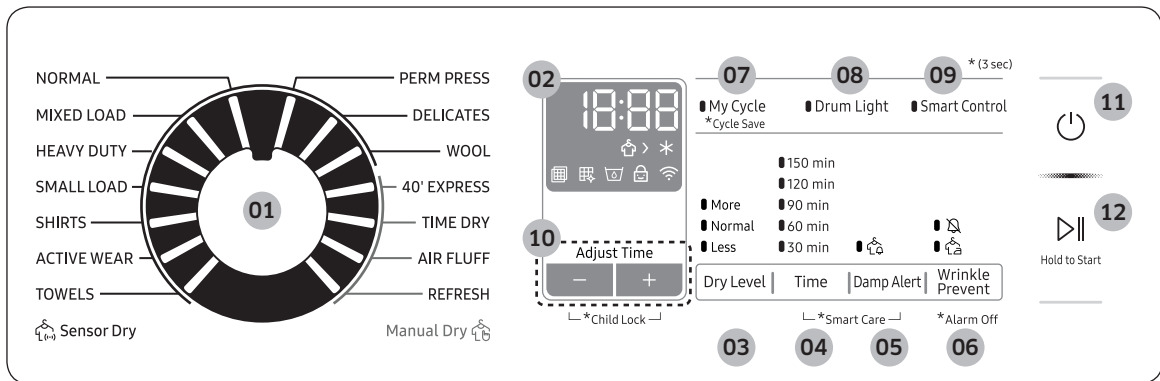
# Operations

## ⚠ WARNING

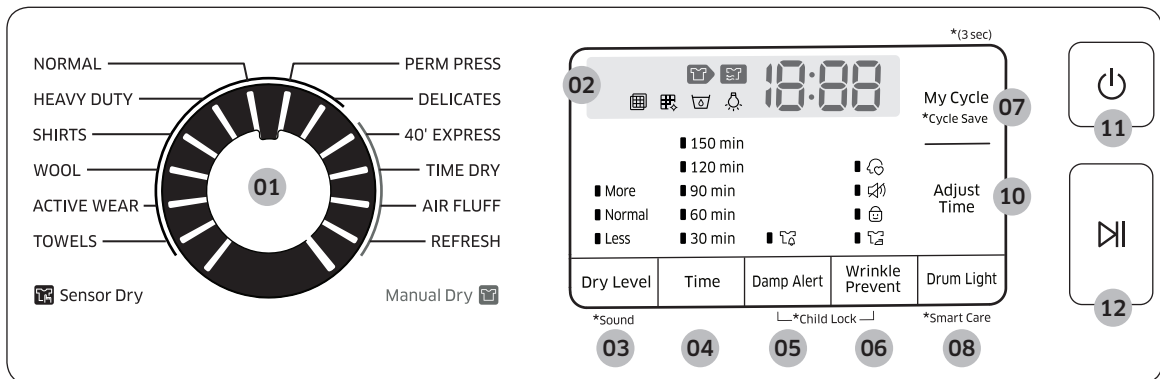
To reduce the risk of fire, electric shock, or injury, read the “Safety information” section before operating this appliance.

## Control panel

### DV22N685\*H\*





### DV22N680\*H\*



<b>01 Cycle selector</b>	Turn the cycle selector to select a desired cycle. When a cycle is selected, the cycle indicator lights up.
<b>02 Digital graphic display</b>	Displays all cycle information, including the cycle time, information code, operating status, and indicators.

# Operations










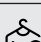
<b>03 Dry Level</b>	<p>Press to adjust the dryness in the <b>Sensor Dry</b> cycles. The corresponding indicator turns on.</p> <ul style="list-style-type: none"> <li>• Larger or bulkier loads may require <b>More</b> for complete dryness.</li> <li>• <b>Less</b> is best suited for lightweight fabrics or for leaving some moisture in the clothing at the end of the cycle.</li> </ul> <p> <b>NOTE</b> This option is not available with <b>WOOL</b> and <b>ACTIVE WEAR</b>.</p>
<b>04 Time</b>	<p>Press to adjust the cycle time for 40' EXPRESS, TIME DRY, AIR FLUFF, and REFRESH cycles.</p> <ul style="list-style-type: none"> <li>• The following time options in minutes are available: 30, 60, 90, 120, and 150.</li> <li>• The exact drying time differs depending on the humidity of the load.</li> </ul>
<b>05 Damp Alert</b>	<p>This alert is available for all <b>Sensor Dry</b> cycles except for <b>ACTIVE WEAR</b> and <b>WOOL</b>. Available dry levels are <b>Normal</b>, <b>More</b>, and <b>Less</b>.</p> <p>If a load contains mixed fabrics, the Damp Alert indicator blinks when average dryness of the items is 80 % dry. This lets you take items that you don't want fully dried or that dry quickly out of the dryer early while letting others continue to dry.</p>
<b>06 Wrinkle Prevent</b>	<p><b>Wrinkle Prevent</b> provides approximately 180 minutes of intermittent tumbling in unheated air at the end of the cycle to reduce wrinkling. Press <b>Wrinkle Prevent</b> to activate this feature. The load is dry and can be removed at any time during the <b>Wrinkle Prevent</b> process.</p> <ul style="list-style-type: none"> <li>• Press and hold <b>Wrinkle Prevent</b> for 3 seconds to turn off the alarm. When the alarm is off, the Alarm Off indicator () turns on.</li> </ul>
<b>07 My Cycle</b>	<p>Choose your favorite cycle including the cycle time, temperature, and dry level. See "<b>My Cycle</b>" on page 36 for details.</p>
<b>08 Drum Light</b>	<p>Press to turn on or turn off the interior lamp. The lamp stays lit for 2 minutes after it has turned on, and then turns off automatically.</p>

<b>09 Smart Control</b> (DV22N685*H*)	After connecting the dryer to your home network using the SmartThings app, you can control the dryer remotely. The <b>Smart Control</b> indicator blinks. The dryer enters waiting mode for remote commands. For more information, see the SmartThings section on page 38.
<b>10 Adjust Time</b>	You can change the set time in the <b>Manual Dry</b> cycles. To change the cycle time, press the <b>Adjust Time</b> buttons (- and +) until the desired time is displayed. ※ Only DV22N680*H* model have one button (Adjust Time).
<b>11 Power</b>	Press to turn on/turn off the dryer.
<b>12 Start/Pause</b> (Hold to Start)	Press and hold to start an operation, or press to stop an operation temporarily.









**NOTE**

Items that have become extremely tangled in the wash can degrade drying efficiency or cause the dryer's door to open. We recommend that you untangle items before putting them in the dryer.

**Indicators (DV22N685\*H\*)**

	Drying		Child Lock
	Cooling		Wi-Fi
	Check filter alarm		Alarm Off
	Heat-exchanger clean alarm		Wrinkle Prevent
	Water Tank Full		Damp Alert

**Indicators (DV22N680\*H\*)**

	Drying		My Cycle
	Cooling		Sound Off
	Check filter alarm		Child Lock
	Heat-exchanger clean alarm		Wrinkle Prevent

# Operations

	Water Tank Full		Damp Alert
	Drum Light		

## Simple steps to start

1. Press **Power** to turn on the dryer.
2. Turn the **Cycle Selector** to select a cycle.
3. Change the cycle settings (**Dry Level** and **Time**) as necessary.
4. Optionally, you can activate options available by pressing the relevant button. (**Adjust Time** - and +, **Wrinkle Prevent**, and/or **Damp Alert**)
5. Press and hold **Start/Pause (Hold to Start)**. The dryer indicator turns on and shows an estimated cycle time on the display.

## To change the cycle during operation

1. Press **Start/Pause (Hold to Start)** to stop operation.
2. Select a different cycle.
3. Press and hold **Start/Pause (Hold to Start)** to start the new cycle.

## Sorting and loading

- Overloading will extend drying time significantly. Load to about half full for best results.
- Put only one wash load in the dryer at a time.
- Avoid mixing heavy and lightweight items together.
- To increase drying efficiency when drying one or two items, add a dry towel to the load.
- For best results, untangle items before inserting them into the dryer.
- Overloading restricts the tumbling process, resulting in uneven drying and wrinkling.
- Unless recommended on the care label, avoid drying woolens or fiberglass items.
- Avoid drying unwashed items.
- Do not dry items soiled with oil, alcohol, gasoline, etc.



## Cycle overview

### Sensor Dry

Sensor Dry cycles sense moisture in the load and stop the dryer when the load reaches the dryness level you have selected with **Dry Level**.

Cycle	Description
NORMAL	For most fabrics including cottons and linens.
MIXED LOAD (DV22N685*H*)	For mixed loads consisting of cotton and synthetic fabrics.
HEAVY DUTY	For drying items made out of heavy fabrics, such as jeans, corduroys, or work clothes, with high temperature heat.
SMALL LOAD (DV22N685*H*)	Use to quickly dry a small load.
SHIRTS	Use to quickly dry one item such as a shirt.
ACTIVE WEAR	For exercise wear and outdoor wear such as sports jerseys, training pants, water-repellent jackets, and other performance clothing. Thick fabrics like a zipper or Velcro closure of a jacket, or training socks may not be completely dried.
TOWELS	For bath towels and similar items
PERM PRESS	Dry wrinkle-free cottons, synthetic fabrics, knits, and permanent press fabrics automatically.
DELICATES	For heat-sensitive items at a low drying temperature.
WOOL	For machine washable and tumble dryable wool only.

# Operations

## Manual Dry


You can change the drying settings manually to your preference.

Cycle	Description
40' EXPRESS	For drying light cotton synthetics or items that need quick drying. The default dry time is 40 minutes.
TIME DRY	You can specify a cycle time in minutes.
AIR FLUFF	Tumbles the load in room temperature air.
REFRESH	Uses warm air to deodorize and refresh items.

## Cycle guide

The best way to dry items is to follow the instructions on the care label. If no drying instructions are provided, see the following table for reference.

Cycle	Description
Bedspreads & Comforters	Follow the care label instructions or dry using <b>NORMAL</b> . <ul style="list-style-type: none"><li>• Make sure the item is thoroughly dry before using or storing.</li><li>• May require repositioning in the drum to ensure even drying.</li></ul>
Blankets	Use <b>NORMAL</b> and dry only one blanket at a time for best tumbling action. <ul style="list-style-type: none"><li>• Make sure blankets are thoroughly dry before using or storing.</li></ul>
Curtains & Draperies	Use <b>PERM PRESS</b> to help minimize wrinkling. <ul style="list-style-type: none"><li>• Dry curtains and draperies in small loads for best results and remove as soon as possible after the cycle is complete.</li></ul>
Cloth Diapers	Use <b>NORMAL</b> for soft, fluffy diapers.
Down-filled Items (jackets, sleeping bags, comforters, etc.)	Follow the care label instructions or dry using <b>NORMAL</b> . <ul style="list-style-type: none"><li>• Add a couple of dry towels to absorb moisture and shorten drying time.</li></ul>

Cycle	Description
Foam Rubber (rug backs, stuffed toys, shoulder pads, etc.)	Do not dry on a heat setting. Use <b>AIR FLUFF</b> .  <b>WARNING</b> Drying a rubber item with heat may damage it or cause a fire.
Pillows	Use <b>NORMAL</b> . <ul style="list-style-type: none"> <li>• Add a couple of dry towels and a pair of clean sneakers to help the tumbling action and to fluff the pillows.</li> <li>• Do not dry kapok or foam pillows using a heated drying cycle. You can dry these items in the dryer only if you use <b>AIR FLUFF</b>.</li> </ul>
Plastics (shower curtains, outdoor furniture covers, etc.)	Use <b>AIR FLUFF</b> or <b>TIME DRY</b> and the <b>Low</b> or <b>Extra Low</b> temperature settings depending on the care label instructions.

 **WARNING**

Do not dry:

- Fiberglass items (curtains, draperies, etc.)
- Woolens, unless recommended on the label
- Items spotted or soaked with vegetable or cooking oils

# Operations

## Special features

### Child Lock

Child Lock prevents children from playing with the dryer. When Child Lock is activated, all buttons except for the **Power** button are disabled.

To activate/deactivate Child Lock, simultaneously press and hold the **Adjust Time** buttons (- and +) for 3 seconds.

※ DV22N680\*H\* Model : Press and hold **Damp Alert** and **Wrinkle Prevent** buttons.

#### **NOTE**

Once Child Lock is activated, it will remain active even after you restart the dryer. If other buttons, except for the **Power** button, do not respond, check the Child Lock indicator. If the indicator is on, follow the instructions above to turn Child Lock off.

### My Cycle

You can create your own cycle that contains your preferred settings and use it at your convenience.

1. Turn the **Cycle Selector** to select a cycle. The cycle indicator turns on.
2. Set or change the settings (**Dry Level**, **Time**, etc.) and/or options as necessary. Each corresponding indicator blinks.
3. Press and hold **My Cycle** for 3 seconds. The dryer stores the selected cycle with its settings.

To use My Cycle, press **My Cycle**.

#### **NOTE**

**WRINKLE PREVENT** is not available with My Cycle.

## Smart Care

If your dryer displays an information code, you can use Smart Care and the Smart Care app to explain the meaning of the code. To use Smart Care, you must have the Samsung Smart Care app installed on your smartphone.

### NOTE

Smart Care is optimized for Samsung Galaxy and Apple iPhones. (Not compatible with some models).

Download the Samsung Smart Washer app from the Google Play Store or Apple App store (Search term: “**Samsung Smart Washer/Dryer**”), and install it on your smartphone.

If an information code appears on your dryer, follow these steps:

1. Simultaneously press and hold **Time** and **Damp Alert** for 3 seconds to activate Smart Care.  
※ DV22N680\*H\* Model : Press and Hold **Drum Light** button.
2. Open the Smart Care app on your smartphone.
3. Put the smartphone's camera close to the display of the dryer. The app automatically recognizes the information code, and then displays suggestions on your smartphone.
4. If the smartphone fails to recognize the information code more than twice, type the information code manually into the Smart Care app.

### CAUTION

- If light is reflected on the display of the dryer, the smartphone may not recognize the information code.
- If you hold the smartphone at an angle to the dryer's display, the smartphone may not recognize the information code. For best results, hold the smartphone so that the front of the panel and the smartphone are parallel or nearly parallel.
- After you use this function, the dryer will delete the record of the information code from its code log.

# Operations

## SmartThings

※ “Smart Things” is available for the DV22N685\*H\* model only.

### Wi-Fi connection

On your smartphone, go to the **Settings**, turn on the wireless connection, and then select an AP (Access Point).

#### NOTE

- This device is designed for household use only (Class B), and can be used in all residential areas.
- This device may cause wireless interference which cannot be prevented.
- Recommended encryption methods are WPA/TKIP and WPA2/AES. Newly developed Wi-Fi protocols or unapproved Wi-Fi protocols are not supported.
- The reception sensitivity of a wireless network may be affected by surrounding wireless environments.
- If your Internet provider has registered the MAC address of your PC or modem for permanent use, your Samsung dryer may not connect to the Internet. If this is the case, contact your Internet provider.
- The Internet firewall may interrupt your Internet connection. If this happens, contact your Internet provider.
- If your dryer continually fails to connect to the Internet after you have followed the instructions from your Internet provider, contact a local Samsung retailer or Samsung service center.
- To install a wired or wireless router, follow the directions in the router’s users manual.
- This Samsung dryer supports Wi-Fi 2.4 GHz protocols.
- This Samsung dryer supports IEEE802.11 b/g/n (2.4 GHz) Soft-AP protocols. (IEEE802.11n is recommended)
- An unapproved wired/wireless router may fail to connect to your Samsung dryer.

### Download

On an app market (Google Play Store, Apple App Store, Samsung Galaxy Apps), find the SmartThings app using the search term “SmartThings”. Download and install the app on your device.

#### NOTE

- The SmartThings app is available on third-party devices with Android OS 6.0 (Marshmallow) or higher, Samsung devices with Android OS 5.0 (Lollipop) or higher, and iOS devices with iOS 10.0 or higher on iPhones designated iPhone 6 or higher. The app is optimized for Samsung smartphones (Galaxy S and Note series).
- Some functions of the app may operate differently on third-party devices.
- The app is subject to change without notice for improved performance.

---

## Log in

You must first log into SmartThings with your Samsung account. To create a new Samsung account, follow the instructions in the app. You don't need a separate app to create your account.

### NOTE

If you have a Samsung account, use the account to log in. A registered Samsung smartphone user automatically logs in.

## To register your device to SmartThings

1. Make sure your smartphone is connected to a wireless network. If not, go to **Settings**, turn on the wireless connection, and then select an AP (Access Point).
2. Launch **SmartThings** on your smartphone.
3. When the message "A new device is found." appears, select **Add**.
4. If no message appears, select **+**, and then select your dryer in the list of devices available. If your dryer is not listed, select **Device Type > Specific Device Model**, and then add your dryer manually.
5. When registration is complete, your dryer appears on your smartphone.

## Dryer app

Integrated control: You can monitor and control your dryer both at home and on the go.

- Select the dryer icon on SmartThings. The dryer page appears.
- Check the operation status or notifications related to your dryer, and change options or settings if necessary.

# Operations

## SmartThings

Category	Checkpoint	Description
Monitoring	Drying status	You can check the current cycle and its options, and the remaining cycle time.
	Smart Control	The Smart Control status is shown for the dryer.
	Self Check	Use this to check if the dryer operates normally.
	Energy monitoring	Use this to monitor the energy consumption status.
Control	Start/Pause/Cancel	Select a cycle and necessary options, and then select Start/Pause/Cancel to start an operation, to stop temporarily, or to cancel the current operation.
	My Favorite	Add frequently used cycles and options to My Favorite for later use.
Notification	Cycle completed	Notifies you that the current cycle is complete.
	Remaining laundry (applicable models only)	Notifies you of any laundry left after a cycle is complete.



Category	Checkpoint	Description
Q-Rator	Laundry Recipe *	You can select the fabric type, dry level, and wrinkle prevent to get recommended options and dry cycles that you can start right away.
	Laundry Planner *	You can set the desired time for a dry cycle to finish. After you set the desired time, you will get a recommended cycle that will end within the time you set, and you can start or reserve the recommended cycle.
	HomeCare Wizard *	Provides a regular report with an analysis of the machine operation state for a user-set time period (every week/month). You can use this regular report to check your usage pattern, maintenance requirements, and energy consumption ** for the set period of time.
	* Requires 'SmartThings', available on Android and iOS. Registration required. ** Indicated results only.	

# Operations

---

## Open Source Announcement

The software included in this product contains open source software. You may obtain the complete corresponding source code for a period of three years after the last shipment of this product by sending an email to <mailto:oss.request@samsung.com>.

It is also possible to obtain the complete corresponding source code in a physical medium such as a CD-ROM; a minimal charge will be required.

The following URL [http://opensource.samsung.com/opensource/SMART\\_AT\\_051/seq/0](http://opensource.samsung.com/opensource/SMART_AT_051/seq/0) leads to the download page of the source code made available and open source license information as related to this product. This offer is valid to anyone in receipt of this information.



### NOTE

Hereby, Samsung Electronics, declares that the radio equipment type appliance is in compliance with Directive 2014/53/EU. The full text of the EU declaration of conformity is available at the following internet address: The official Declaration of conformity may be found at <http://www.samsung.com>, go to Support > Search Product Support and enter the model name.

Wi-Fi max transmitter power : 20 dBm at 2.412 GHz - 2.472 GHz

# Maintenance

---

## **WARNING**

- Do not clean the dryer by directly spraying water onto the dryer.
- Do not clean the dryer with benzene, thinner, alcohol, or acetone. This may cause discoloration, deformation, damage, electric shock, or fire.
- Before cleaning the dryer, be sure to unplug the power cord.
- Certain internal parts are intentionally not grounded and may present a risk of electric shock only during servicing. Service Personnel - Do not contact the following parts while the appliance is energized: Control board, Motor, Drain pump.

## **Control panel**

---

- Clean with a soft, damp cloth. Do not use abrasive substances.
- Do not spray liquid cleaning agents directly on the display of the dryer.
- Some laundry pre-treatment soil and stain removers may damage the control panel.
- When using liquid cleaning agents, apply them to the cleaning cloth. Do not apply them directly to the dryer. Wipe up any spills or overspray immediately.

## **Tumbler**

---

- Remove any stains from the tumbler with an all-purpose cleaner.
- Tumble old towels or rags to remove any remaining stains or cleaning substances. Stains may still be visible, but will not affect subsequent loads.

## **Stainless steel tumbler**

---

To clean the stainless steel tumbler, use a damp cloth with a mild, non-abrasive cleaner suitable for easily marred surfaces. Remove cleaner residue and dry with a clean cloth.

## **Dryer exterior**

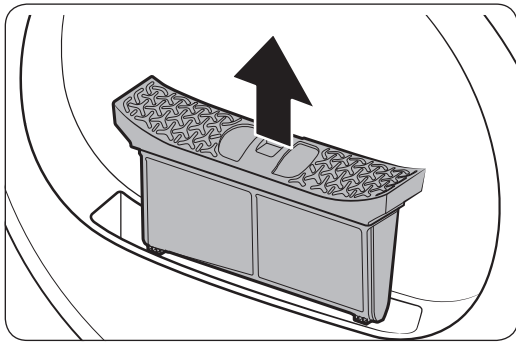
---

- Clean with a soft, damp cloth. Do not use abrasive substances.
- Protect the surface from sharp objects.
- Do not place any heavy or sharp objects or a detergent container on the dryer. They can scratch or damage the top cover of the dryer.
- The dryer has a high-gloss finish on the entire surface. Be careful not to scratch or damage the surface.

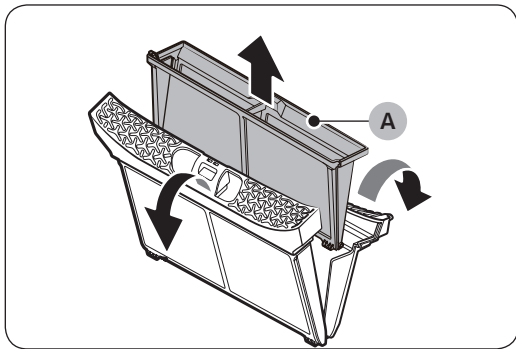
## **Lint filter**

---

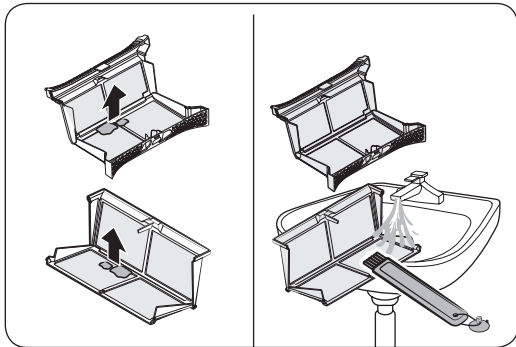
Clean the lint filter after each load.



1. Open the door and pull the lint filter upward to remove.



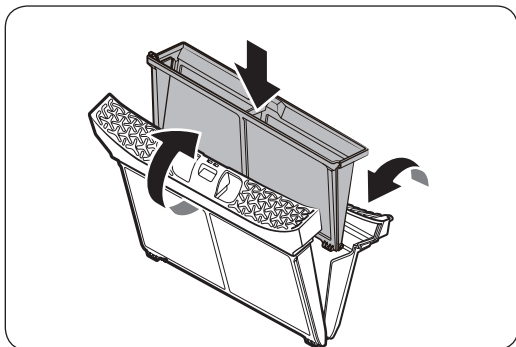
2. Open the outer filter and remove the inner filter (A).



3. Unfold both the inner filter and the outer filter.
4. Remove the lint from both filters, and then clean the filters with the cleaning brush.

**NOTE**

To clean the filters thoroughly, clean the filters in running water, and then dry them completely.



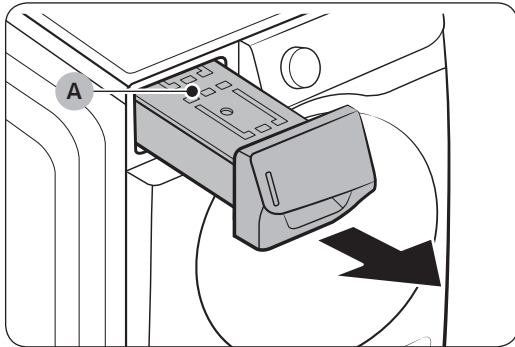
5. Put the inner filter into the outer filter, and then reinsert the lint filter into its original position.

**CAUTION**

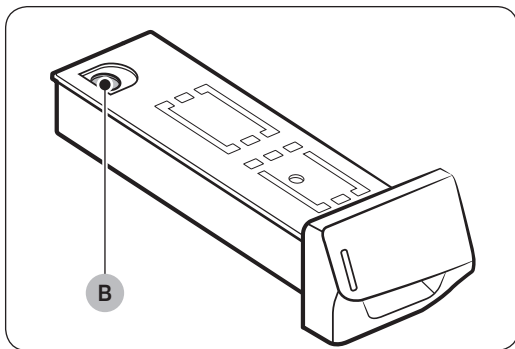
- Clean the lint filter after each load. Otherwise, the drying performance may decrease.
- Do not operate the dryer without the inner filter inside the outer filter.
- Using the dryer with a wet lint filter may cause mold, bad odors, or a decrease in drying performance.

## Water tank

To avoid leaks, empty the water tank after every load.



1. Using both hands, pull the water tank (A) forward to remove.



2. Empty the water through the drain hole (B), and then put the water tank back into place.

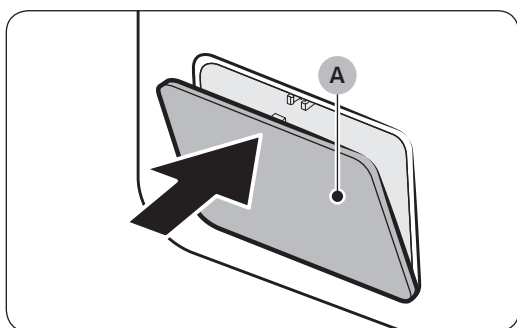
### NOTE

If you empty the water tank and then press and hold **Start/Pause (Hold to Start)**, the corresponding indicator turns off.

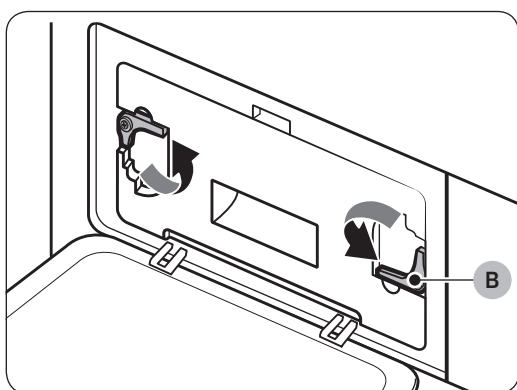


## Heat exchanger

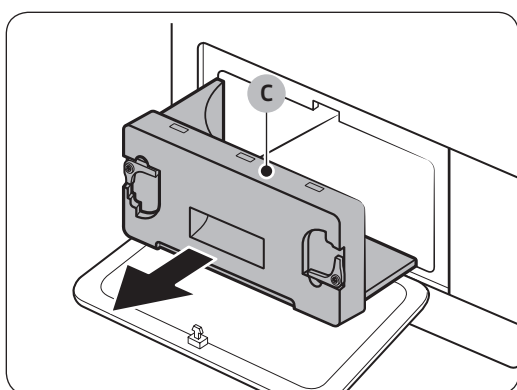
Clean the heat exchanger at least once a month. As a reminder, the heat exchanger indicator (🔌) lights up on the display when the heat exchanger needs to be cleaned.



1. Gently press the top part of the **outer cover (A)** to open.

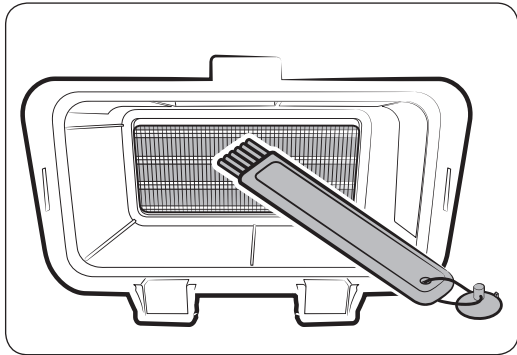


2. Unlock the **fixers (B)**.



3. Remove the **inner cover (C)**.

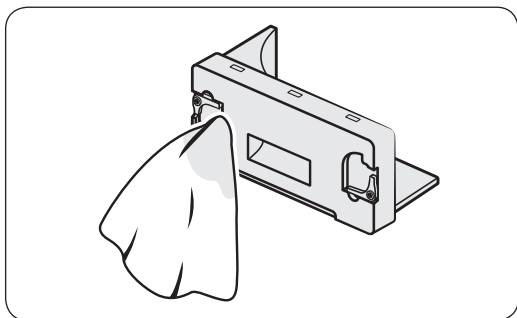




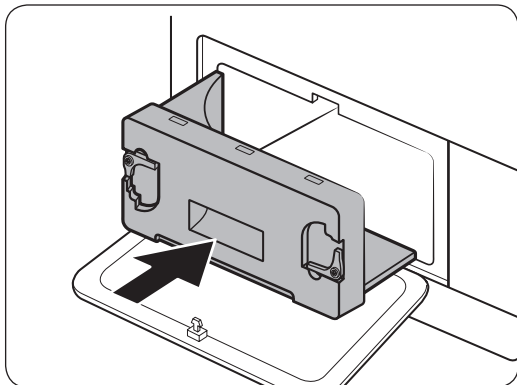
4. Clean the heat exchanger with the provided cleaning brush or a vacuum cleaner with a brush attachment. Take care not to bend or damage the heat exchanger fins when cleaning. This may lead to a decrease in drying performance.

**⚠ CAUTION**

- To avoid physical injury and burns, do not touch or clean the heat exchanger with bare hands.
- Do not use water to clean the heat exchanger.



5. Clean the inner cover with a smooth, damp cloth.



6. Reinsert the inner cover in its original position, and then lock the fixers.
7. Close the outer cover.

**📄 NOTE**

After cleaning, make sure the fixers are locked.

# Troubleshooting

## Checkpoints

If the dryer operates abnormally, first check the list of problems in the table below and try the suggested actions.

Problem	Action
Does not run.	<ul style="list-style-type: none"> <li>• Make sure the door is latched shut.</li> <li>• Make sure the power cord is plugged into a live electrical outlet.</li> <li>• Check your home's circuit breakers or fuses.</li> <li>• Press and hold <b>Start/Pause (Hold to Start)</b> again if the door was opened during a cycle.</li> <li>• Clean the lint filter.</li> </ul>
Does not heat.	<ul style="list-style-type: none"> <li>• Check your home's circuit breakers or fuses.</li> <li>• Some cycles do not require heating. Check the selected cycle again.</li> <li>• Check the lint filter and heat exchanger. Clean them if necessary.</li> <li>• The dryer may have moved into the cool-down phase of the cycle.</li> </ul>
Does not dry.	<ul style="list-style-type: none"> <li>• Check all of the above, plus...</li> <li>• Dry heavy items and light weight items separately.</li> <li>• Large, bulky items, such as blankets or comforters, may require repositioning to ensure even drying.</li> <li>• Make sure that your washer is draining properly and extracting adequate water from the load.</li> <li>• The load may be too small to tumble properly. Add a few towels and restart the dryer.</li> <li>• The load may be too large to tumble properly. Remove some items so the dryer is half full, and then restart.</li> <li>• Clean the lint filter and heat exchanger.</li> </ul>
Is noisy.	<ul style="list-style-type: none"> <li>• Check the load for objects such as coins, loose buttons, nails, etc. Remove promptly.</li> <li>• Make sure the dryer is leveled properly as outlined in the installation instructions.</li> <li>• It is normal for the dryer to hum due to the high velocity of air moving through the dryer drum, fan, or Water Drain system.</li> </ul>



Problem	Action
Dries unevenly.	<ul style="list-style-type: none"> <li>• Seams, pockets, and other similarly heavy areas may not be completely dry when the rest of the load has reached the selected dryness level. This is normal. You can choose a higher dryness level or a cycle that involves a higher dryness level.</li> <li>• If one heavy item is dried with a light weight load, such as one towel with sheets, it is possible that the heavy item will not be completely dry when the rest of the load has reached the selected dryness level.</li> <li>• For the best drying results, dry heavy items and light weight items separately.</li> </ul>
Lint on clothes.	<ul style="list-style-type: none"> <li>• Make sure the lint filter is cleaned before every load. For clothes that naturally build up lint, clean the filter during the cycle.</li> <li>• Some fabrics are lint producers (for example, a fuzzy white cotton towel) and they must be dried separately from clothes that are lint trappers (for example, a pair of black linen pants).</li> <li>• Divide larger loads into smaller loads for drying.</li> <li>• Check pockets thoroughly before drying, then dry clothes.</li> <li>• Remove lint inside the drum before drying.</li> </ul>
Items still wrinkled after WRINKLE RELEASE cycle.	<ul style="list-style-type: none"> <li>• Small loads of 1 to 4 items work best.</li> <li>• Load fewer items. Load similar-type items.</li> </ul>
Extended time.	<ul style="list-style-type: none"> <li>• Sensor Dry automatically senses the moisture in the load and shuts the dryer off when the selected dryness level is reached.</li> <li>• The drying time can change according to the type and amount of laundry. See the cycle chart for reference.</li> <li>• To prevent an overly long drying time, load no more than half full.</li> </ul>

If a problem persists, contact a local Samsung service center.

# Troubleshooting

## Information codes

If the dryer fails to operate, you may see an information code on the display panel. To determine what you should do, check the list of codes in the table below, and then try the suggested actions.

Code		Action
tC	Air temperature sensor issue	Clean the lint filter and/or heat exchanger. If this continues, call for service.
tC5	Compressor temperature sensor issue	Wait 2-3 minutes. Turn the power on and restart.
dC	Running the dryer with door open	Close the door and restart. If this continues, call for service.
HC	Compressor overheat	Call for service.
5C	Water tank full Drain pump is out of order	Empty the water tank, turn the power on, and restart. If this continues, call for service.
AC6	Check communications between the main and the inverter PBAs.	<ul style="list-style-type: none"> <li>Depending on the its state, the dryer may automatically return to normal operation.</li> <li>Turn the dryer off and turn it on again. Then, restart the cycle.</li> <li>If the information code continues to appear, call for service.</li> </ul>
3C	Check the motor for operation.	<ul style="list-style-type: none"> <li>Try restarting the cycle.</li> <li>If the information code continues to appear, call for service.</li> </ul>





If any information code keeps appearing on the screen, contact a Samsung service center.

# Specifications

## Fabric care chart

The following symbols provide garment care direction. The clothing care labels include symbols for drying, bleaching, ironing, and dry cleaning. The use of symbols ensures consistency among garment manufacturers of domestic and imported items. Follow care label directions to optimize garment life and reduce laundering problems.

### Wash cycle

	Normal
	Permanent press/Wrinkle resistant/Wrinkle control
	Gentle/Delicates
	Hand wash




### Water temperature

...	Hot
..	Warm
.	Cold

### NOTE

The Water Temperature table lists appropriate wash water temperatures for various items. The temperature range is 106 - 126 °F (41 - 52 °C) for Hot, 84 - 106 °F (29 - 41 °C) for Warm, and 61 - 84 °F (16 - 29 °C) for Cold. (Wash water temperature must be a minimum of 61 °F (16 °C) for detergent activation and effective cleaning.)


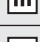

### Bleach

	Any bleach (when needed)
	Only non-chlorine (color-safe) bleach (when needed)
	Tumble dry






### Normal

	Permanent press/Wrinkle resistant/Wrinkle control
	Gentle/Delicates

### Special instructions




	Line dry/Hang to dry
	Drip dry
	Dry flat

### Heat setting







	High
	Medium
	Low
	Any heat
	No heat / Air

# Specifications






## Iron dry or steam temperatures

	High
	Medium
	Low

## Warning symbols for laundering

	Do not wash
	Do not wring
	Do not bleach
	Do not tumble dry
	No steam (added to iron)
	Do not iron

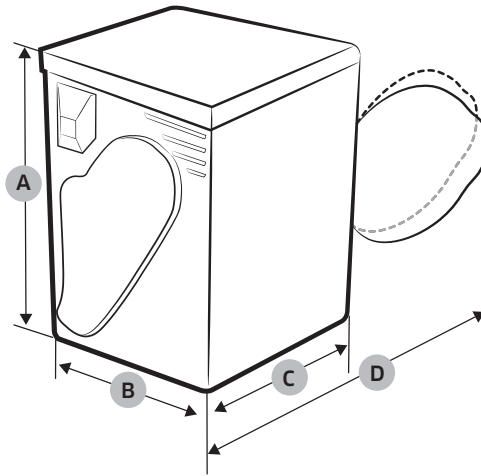
## Dry-clean

	Dry-clean
	Do not dry-clean
	Line dry / Hang to dry
	Drip dry
	Dry flat

## Protecting the environment

This appliance is manufactured from recyclable materials. If you decide to dispose of this appliance, please observe local waste disposal regulations. Cut off the power cord so that the appliance cannot be connected to a power source. Remove the door so that animals and small children cannot get trapped inside the appliance.

## Specification sheet



Type		Front loading dryer
Dimensions	A. Height	33.5" (850 mm)
	B. Width	23.6" (600 mm)
	C. Depth	25.6" (650 mm)
	D. Depth with door open 90°	44.3" (1125 mm)
Net Weight		110 lb (50 kg)
Electrical Requirements	240 V / 60 Hz	800 W
Allowable Temperature		41 - 95 °F (5 -35 °C)

# Specifications

## Cycle chart

### NOTE

For best results, follow the load size recommendations for each dry cycle.

- Large load: Fill the drum to about  $\frac{3}{4}$  full. Do not add items over this level as they need to tumble freely.
- ◐ Medium load: Fill the drum to about  $\frac{1}{2}$  full.
- Small load: Fill the drum with 3-5 items, not more than  $\frac{1}{4}$  full.

	Cycle	Recommended items	Load size	Dry Level
Sensor Dry	NORMAL	Cottons, Work clothes, Linen, Mixed loads	●	Normal Dry (Adjustable)
	MIXED LOAD (DV22N685*H*)	Mixed loads consisting of cotton and synthetics fabrics.	◐	Normal Dry (Adjustable)
	HEAVY DUTY	Heavy fabrics such as jean, Corduroys, Heavy work clothes	●	Normal Dry (Adjustable)
	SMALL LOAD (DV22N685*H*)	Use to quickly dry small load (Maximum amount : 3lb)	○	Normal Dry (Adjustable)
	SHIRTS	Non-iron shirts or blouses made of synthetic fibers or blended fabrics.	◐	Normal Dry (Adjustable)
	ACTIVE WEAR	Water-repellent wear, performance clothes, Sports wear	◐	Normal Dry (No change)
	TOWELS	Bath towels and similar items	●	Normal Dry (Adjustable)
	PERM PRESS	Shirts, Synthetic fabrics, Knits, Wrinkle-free cottons, Permanent	◐	Normal Dry (Adjustable)
	DELICATES	Underwear, Blouses, Lingerie	◐	Normal Dry (Adjustable)
	WOOL	For machine washable and tumble dryable wool only (Maximum amount : 3 lb)	○	Normal Dry (No change)
Manual Dry	40' EXPRESS	Small loads	◐	-
	TIME DRY	Any load	●	-
	AIR FLUFF	Foam, rubber, plastic	○	-
	REFRESH	Shirts, trousers, pillows	◐	-

**NOTE**

- ●: factory setting, ●: can be selected

Cycle		Dry Level setting		
		More	Normal	Less
Sensor Dry	NORMAL	●	●	●
	MIXED LOAD (DV22N685*H*)	●	●	●
	HEAVY DUTY	●	●	●
	SMALL LOAD (DV22N685*H*)	●	●	●
	SHIRTS	●	●	●
	ACTIVE WEAR	-	●	-
	TOWELS	●	●	●
	PERM PRESS	●	●	●
	DELICATES	●	●	●
	WOOL	-	-	●
Manual Dry	40' EXPRESS	-	-	-
	TIME DRY	-	-	-
	AIR FLUFF	-	-	-
	REFRESH	-	-	-

Cycle		Damp Alert	Wrinkle Prevent	Adjust Time
Sensor Dry	NORMAL	●	●	-
	MIXED LOAD (DV22N685*H*)	●	●	-
	HEAVY DUTY	●	●	-
	SMALL LOAD (DV22N685*H*)	●	●	-
	SHIRTS	●	●	-
	ACTIVE WEAR	-	●	-
	TOWELS	●	●	-
	PERM PRESS	●	●	-
	DELICATES	●	●	-
	WOOL	-	●	-
Manual Dry	40' EXPRESS	-	●	●
	TIME DRY	-	●	●
	AIR FLUFF	-	●	●
	REFRESH	-	●	●

# Regulatory notice

---

## FCC Notice

---

### CAUTION

Any changes or modifications not expressly approved by the party responsible for compliance could void the user's authority to operate the equipment.

This device complies with Part 15 of FCC Rules. Operation is Subject to following two conditions:

1. This device may not cause harmful interference, and
2. This device must accept any interference received including interference that cause undesired operation.

For products sold in the US and Canadian markets, only channels 1~11 are available. You cannot select any other channels.

### FCC STATEMENT:

This equipment has been tested and found to comply within the limits for a Class B digital device, pursuant to part 15 of the FCC Rules. These limits are designed to provide reasonable protection against harmful interference in a residential installation.

This equipment generates, uses, and can radiate radio frequency energy and, if not installed and used in accordance with the instructions, may cause harmful interference to radio communications. However, there is no guarantee that interference will not occur in a particular installation. If this equipment does cause harmful interference to radio or television reception, which can be determined by turning the equipment off and on, the user is encouraged to try to correct the interference by one or more of the following measures:

- Reorienting or relocating the receiving antenna
- Increasing the separation between the equipment and receiver
- Connecting the equipment to an outlet that is on a different circuit than the radio or TV.
- Consulting the dealer or an experienced radio/TV technician for help.

### FCC RADIATION EXPOSURE STATEMENT:

This equipment complies with FCC radiation exposure limits set forth for an uncontrolled environment. This equipment should be installed and operated so there is at least 8 inches (20 cm) between the radiator and your body. This device and its antenna(s) must not be co-located or operated in conjunction with any other antenna or transmitter.



---

## IC Notice

---

The term “IC” before the radio certification number only signifies that Industry Canada technical specifications were met. Operation is subject to the following two conditions:

1. This device may not cause interference, and
2. This device must accept any interference, including interference that may cause undesired operation of the device.

This Class B digital apparatus complies with Canadian ICES-003.

Cet appareil numérique de la classe B est conforme à la norme NMB-003 du Canada.

For products sold in the US and Canadian markets, only channels 1~11 are available. You cannot select any other channels.

### IC RADIATION EXPOSURE STATEMENT:

This equipment complies with IC RSS-102 radiation exposure limits set forth for an uncontrolled environment. This equipment should be installed and operated so there is at least 8 inches (20 cm) between the radiator and your body. This device and its antenna(s) must not be co-located or operated in conjunction with any other antenna or transmitter.

---

## Open Source License Notice

---

The software included in this product contains open source software. You may obtain the complete corresponding source code for a period of three years after the last shipment of this product by sending an email to <mailto:oss.request@samsung.com>.

It is also possible to obtain the complete corresponding source code in a physical medium such as a CD-ROM; a minimal charge will be required.

The following URL [http://opensource.samsung.com/opensource/SMART\\_AT\\_051/seq/0](http://opensource.samsung.com/opensource/SMART_AT_051/seq/0) leads to the download page of the source code made available and open source license information as related to this product. This offer is valid to anyone in receipt of this information.



# Warranty (U.S.A)

---

## SAMSUNG DRYER

---

### **LIMITED WARRANTY TO ORIGINAL PURCHASER WITH PROOF OF PURCHASE**

This SAMSUNG brand product, as supplied and distributed by SAMSUNG ELECTRONICS AMERICA, INC. (SAMSUNG) and delivered new, in the original carton to the original consumer purchaser, is warranted by SAMSUNG against manufacturing defects in materials or workmanship for the limited warranty period, starting from the date of original purchase, of:

One (1) Year All Parts and Labor

This limited warranty is valid only on products purchased and used in the United States that have been installed, operated, and maintained according to the instructions attached to or furnished with the product. To receive warranty service, the purchaser must contact SAMSUNG at the address or phone number provided below for problem determination and service procedures. Warranty service can only be performed by a SAMSUNG authorized service center. The original dated bill of sale must be presented upon request as proof of purchase to SAMSUNG or SAMSUNG's authorized service center to receive warranty service.

SAMSUNG will provide in-home service within the contiguous United States during the warranty period at no charge, subject to availability of SAMSUNG authorized servicers within the customer's geographic area. If in-home service is not available, SAMSUNG may elect, at its option, to provide transportation of the product to and from an authorized service center. If the product is located in an area where service by a SAMSUNG authorized servicer is not available, you may be responsible for a trip charge or required to bring the product to a SAMSUNG authorized service center for service.

To receive in-home service, product must be unobstructed and accessible to the service agent.

During the applicable warranty period, a product will be repaired, replaced, or the purchase price refunded, at the sole option of SAMSUNG. SAMSUNG may use new or reconditioned parts in repairing a product, or replace the product with a new or reconditioned product. Replacement parts and products are warranted for the remaining portion of the original product's warranty or ninety (90) days, whichever is longer. All replaced parts and products are the property of SAMSUNG and you must return them to SAMSUNG.

---

This limited warranty covers manufacturing defects in materials or workmanship encountered in normal household, noncommercial use of this product and shall not cover the following: damage that occurs in shipment, delivery, installation, and uses for which this product was not intended; damage caused by unauthorized modification or alteration of the product; product where the original factory serial numbers have been removed, defaced, changed in any way, or cannot be readily determined; cosmetic damage including scratches, dents, chips, and other damage to the product's finishes; damage caused by abuse, misuse, pest infestations, accident, fire, floods, or other acts of nature or God; damage caused by use of equipment, utilities, services, parts, supplies, accessories, applications, installations, repairs, external wiring or connectors not supplied or authorized by SAMSUNG; damage caused by incorrect electrical line current, voltage, fluctuations and surges; damage caused by failure to operate and maintain the product according to instructions; in-home instruction on how to use your product; and service to correct installation not in accordance with electrical or plumbing codes or correction of household electrical or plumbing (i.e., house wiring, fuses, or water inlet hoses). The cost of repair or replacement under these excluded circumstances shall be the customer's responsibility.

Visits by a Service Engineer to explain functions, maintenance or installation is not covered by warranty. Please contact your Samsung call agent for help with any of these issues.

### **EXCLUSION OF IMPLIED WARRANTIES**

IMPLIED WARRANTIES, INCLUDING THE IMPLIED WARRANTIES OF MERCHANTABILITY OR FITNESS FOR A PARTICULAR PURPOSE, ARE LIMITED TO ONE YEAR OR THE SHORTEST PERIOD ALLOWED BY LAW. Some states do not allow limitations on how long an implied warranty lasts, so the above limitations or exclusions may not apply to you. This warranty gives you specific rights, and you may also have other rights, which vary from state to state.

# Warranty (U.S.A)

---

## LIMITATION OF REMEDIES

YOUR SOLE AND EXCLUSIVE REMEDY IS PRODUCT REPAIR, PRODUCT REPLACEMENT, OR REFUND OF THE PURCHASE PRICE AT SAMSUNG'S OPTION, AS PROVIDED IN THIS LIMITED WARRANTY. SAMSUNG SHALL NOT BE LIABLE FOR SPECIAL, INCIDENTAL OR CONSEQUENTIAL DAMAGES, INCLUDING BUT NOT LIMITED TO TIME WAY FROM WORK, HOTELS AND/OR RESTAURANT MEALS, REMODELING EXPENSES, LOSS OF REVENUE OR PROFITS, FAILURE TO REALIZE SAVINGS OR OTHER BENEFITS REGARDLESS OF THE LEGAL THEORY ON WHICH THE CLAIM IS BASED, AND EVEN IF SAMSUNG HAS BEEN ADVISED OF THE POSSIBILITY OF SUCH DAMAGES. Some states do not allow exclusion or limitation of incidental or consequential damages, so the above limitations or exclusions may not apply to you. This warranty gives you specific rights, and you may also have other rights, which vary from state to state.

SAMSUNG does not warrant uninterrupted or error-free operation of the product. No warranty or guarantee given by any other person, firm, or corporation with respect to this product shall be binding on SAMSUNG.

To obtain warranty service, please contact SAMSUNG at:

**Samsung Electronics America, Inc.**

**85 Challenger Road**

**Ridgefield Park, NJ 07660**

**1-800-SAMSUNG (726-7864)**

**[www.samsung.com/us/support](http://www.samsung.com/us/support)**

# Warranty (CANADA)

---

## SAMSUNG DRYER

---

### LIMITED WARRANTY TO ORIGINAL PURCHASER

This SAMSUNG brand product, as supplied and distributed by SAMSUNG ELECTRONICS CANADA, INC. (SAMSUNG) and delivered new, in the original carton to the original consumer purchaser, is warranted by SAMSUNG against manufacturing defects in materials and workmanship for a limited warranty period of:

- One (1) year part and labor

This limited warranty begins on the original date of purchase, and is valid only on products purchased and used in the Canada.

To receive warranty service, the purchaser must contact SAMSUNG for problem determination and service procedures.

Warranty service can only be performed by a SAMSUNG authorized service center.

The original dated bill of sale must be presented upon request as proof of purchase to SAMSUNG or SAMSUNG's authorized service center.

SAMSUNG will provide in-home service during the warranty period at no charge, subject to availability within the Canada.

In-home service is not available in all areas.

To receive in-home service, product must be unobstructed and accessible to the service agent.

If service is not available, SAMSUNG may elect to provide transportation of the product to and from an authorized service center.

SAMSUNG will repair, replace, or refund this product at our option and at no charge as stipulated herein, with new or reconditioned parts or products if found to be defective during the limited warranty period specified above.

All replaced parts and products become the property of SAMSUNG and must be returned to SAMSUNG.

Replacement parts and products assume the remaining original warranty, or ninety (90) days, whichever is longer.

# Warranty (CANADA)

---

This limited warranty covers manufacturing defects in materials and workmanship encountered in normal, noncommercial use of this product and shall not apply to the following: damage that occurs in shipment; delivery and installation; applications and uses for which this product was not intended; altered product or serial numbers; cosmetic damage or exterior finish; accidents, abuse, neglect, fire, water, lightning, or other acts of nature or God; use of products, equipment, systems, utilities, services, parts, supplies, accessories, applications, installations, repairs, external wiring or connectors not supplied or authorized by SAMSUNG that damage this product or result in service problems; incorrect electrical line voltage, fluctuations and surges; customer adjustments and failure to follow operating instructions, maintenance and environmental instructions that are covered and prescribed in the instruction book; product removal and reinstallation; problems caused by pest infestations.

This limited warranty does not cover problems resulting from incorrect electric current, voltage or supply, light bulbs, house fuses, house wiring, cost of a service call for instructions, or fixing installation errors.

SAMSUNG does not warrant uninterrupted or error-free operation of the product.

EXCEPT AS SET FORTH HEREIN, THERE ARE NO WARRANTIES ON THIS PRODUCT EITHER EXPRESS OR IMPLIED, AND SAMSUNG DISCLAIMS ALL WARRANTIES INCLUDING, BUT NOT LIMITED TO, ANY IMPLIED WARRANTIES OF MERCHANTABILITY, INFRINGEMENT OR FITNESS FOR A PARTICULAR PURPOSE.

NO WARRANTY OR GUARANTEE GIVEN BY ANY PERSON, FIRM, OR CORPORATION WITH RESPECT TO THIS PRODUCT SHALL BE BINDING ON SAMSUNG.

SAMSUNG SHALL NOT BE LIABLE FOR LOSS OF REVENUE OR PROFITS, FAILURE TO REALIZE SAVINGS OR OTHER BENEFITS, OR ANY OTHER SPECIAL, INCIDENTAL OR CONSEQUENTIAL DAMAGES CAUSED BY THE USE, MISUSE, OR INABILITY TO USE THIS PRODUCT, REGARDLESS OF THE LEGAL THEORY ON WHICH THE CLAIM IS BASED, AND EVEN IF SAMSUNG HAS BEEN ADVISED OF THE POSSIBILITY OF SUCH DAMAGES.

NOR SHALL RECOVERY OF ANY KIND AGAINST SAMSUNG BE GREATER IN AMOUNT THAN THE PURCHASE PRICE OF THE PRODUCT SOLD BY SAMSUNG AND CAUSING THE ALLEGED DAMAGE.

WITHOUT LIMITING THE FOREGOING, PURCHASER ASSUMES ALL RISK AND LIABILITY FOR LOSS, DAMAGE, OR INJURY TO PURCHASER AND PURCHASER'S PROPERTY AND TO OTHERS AND THEIR PROPERTY ARISING OUT OF THE USE, MISUSE, OR INABILITY TO USE THIS PRODUCT.

THIS LIMITED WARRANTY SHALL NOT EXTEND TO ANYONE OTHER THAN THE ORIGINAL PURCHASER OF THIS PRODUCT, IS NONTRANSFERABLE AND STATES YOUR EXCLUSIVE REMEDY.

---

Some provinces do not allow limitations on how long an implied warranty lasts, or the exclusion or limitation of incidental or consequential damages, so the above limitations or exclusions may not apply to you.

This warranty gives you specific rights, and you may also have other rights, which vary from province to province.

To obtain warranty service, please contact SAMSUNG at:

**Samsung Electronics Canada Inc.**

**2050 Derry Road West,**

**Mississauga, Ontario L5N 0B9 Canada**

**1-800-SAMSUNG (726-7864)**

**[www.samsung.com/ca/support](http://www.samsung.com/ca/support) (English)**

**[www.samsung.com/ca\\_fr/support](http://www.samsung.com/ca_fr/support) (French)**

Visits by a Service Engineer to explain functions, maintenance or installation is not covered by warranty.

Please contact your Samsung call agent for help with any of these issues.



Scan the QR code\* or visit  
[www.samsung.com/spsn](http://www.samsung.com/spsn)  
 to view our helpful  
 How-to Videos and Live Shows

\*Requires reader to be installed on your smartphone

Scan this with your smartphone

## QUESTIONS OR COMMENTS?

COUNTRY	CALL	OR VISIT US ONLINE AT
U.S.A	1-800-SAMSUNG (726-7864) 1-844-SAM-PAYS (726-7297)	<a href="http://www.samsung.com/us/support">www.samsung.com/us/support</a>
CANADA	1-800-SAMSUNG (726-7864) 1-844-SAM-PAYS (726-7297)	<a href="http://www.samsung.com/ca/support">www.samsung.com/ca/support</a> (English) <a href="http://www.samsung.com/ca_fr/support">www.samsung.com/ca_fr/support</a> (French)



DC68-03650E-05





# Sèche-linge

---

## Manuel d'utilisation

DV22N685\*H\* / DV22N680\*H\*

---

**SAMSUNG**



# Table des matières

---

<b>Consignes de sécurité</b>	<b>4</b>
Remarques importantes sur les consignes de sécurité	4
Importants symboles de sécurité	4
AVERTISSEMENT DE LA PROPOSITION 65 DE L'ÉTAT DE LA CALIFORNIE	5
Consignes de sécurité importantes	5
Avertissements	7
Mises en garde	7
<b>Avant l'installation</b>	<b>9</b>
Conditions d'installation principales	9
Choix de l'emplacement d'installation	9
Normes électriques	12
<b>Installation</b>	<b>14</b>
Pièces incluses	14
Installation étape par étape	16
ÉTAPE 1 Câblage électrique	16
ÉTAPE 2 Mise à niveau du sèche-linge	18
Tuyau de vidange (si nécessaire)	20
Liste de vérification pour l'installation	23
Avant d'utiliser le sèche-linge	23
Changement de position de la porte	24
<b>Avant de démarrer</b>	<b>28</b>
Tri et charge	28
Conditions de fonctionnement préalables	28
<b>Opérations</b>	<b>29</b>
Panneau de commande	29
Étapes simples pour commencer	32
Présentation des cycles	33
Guide des cycles	34
Fonctions spéciales	36
SmartThings	38



---

<b>Maintenance</b>	<b>43</b>
Panneau de commande	43
Tambour	43
Tambour en acier inoxydable	43
Extérieur du sèche-linge	43
Filtre à peluches	43
Réservoir d'eau	45
Échangeur de chaleur	46
<b>Dépannage</b>	<b>48</b>
Contrôles à effectuer	48
Codes d'erreur	50
<b>Caractéristiques techniques</b>	<b>51</b>
Tableau des symboles textiles	51
Protection de l'environnement	52
Fiche de spécifications	53
Tableau des cycles	54



# Consignes de sécurité

Félicitations pour l'achat de votre nouveau sèche-linge Samsung. Ce manuel contient de précieuses informations concernant l'installation, l'utilisation et l'entretien de votre appareil. Prenez le temps de le lire pour tirer pleinement profit de tous les avantages et de toutes les fonctionnalités de votre sèche-linge.

L'installation du sèche-linge doit se faire conformément aux instructions du fabricant et aux réglementations locales.

## Remarques importantes sur les consignes de sécurité

Veuillez lire attentivement ce manuel pour vous assurer que vous savez comment utiliser efficacement toutes les caractéristiques et fonctions de votre nouvel appareil en toute sécurité. Conservez ce manuel dans un endroit sûr situé à proximité de l'appareil afin de pouvoir facilement vous y reporter en cas de besoin. N'utilisez pas cet appareil autrement que pour l'usage auquel il est destiné, conformément aux consignes du manuel.

Les avertissements et les consignes de sécurité importantes cités dans ce manuel ne couvrent pas toutes les conditions et les situations susceptibles de se produire. Il est de votre responsabilité de faire preuve de bon sens, de prudence et de discernement lors de l'installation, de l'entretien et de l'utilisation de votre sèche-linge.

Ces consignes d'utilisation couvrant plusieurs modèles, il se peut que les caractéristiques de votre sèche-linge diffèrent légèrement de celles décrites dans ce manuel ; ainsi, certaines icônes d'avertissement peuvent ne pas s'appliquer à votre machine. Pour toute question ou renseignement, contactez le service après-vente le plus proche ou recherchez des informations et consultez l'aide en ligne sur [www.samsung.com](http://www.samsung.com).

## Importants symboles de sécurité

Signification des icônes et signes repris dans ce manuel d'utilisation :

### **AVERTISSEMENT**

Risques ou pratiques dangereuses susceptibles de provoquer des blessures corporelles graves, le décès et/ou des dommages matériels.

### **ATTENTION**

Risques ou pratiques dangereuses susceptibles de provoquer des blessures corporelles graves et/ou des dommages matériels.

### **REMARQUE**

Indique qu'un risque de blessure à la personne ou de dommage matériel existe.

Ces symboles d'avertissement sont présents pour prévenir toute blessure, à vous-même ou à d'autres personnes.

Veuillez les respecter scrupuleusement.

Après avoir lu ce manuel, conservez-la dans un endroit sûr pour vous y référer ultérieurement.

Lisez attentivement toutes les consignes avant d'utiliser l'appareil.

Comme pour tout appareil électrique comportant des parties mobiles, des risques existent.

Pour utiliser cet appareil en toute sécurité, familiarisez-vous avec son fonctionnement et faites preuve de prudence lorsque vous l'utilisez.

# CONSERVEZ SOIGNEUSEMENT CES CONSIGNES



## AVERTISSEMENT DE LA PROPOSITION 65 DE L'ÉTAT DE LA CALIFORNIE

### AVERTISSEMENT

Peut causer le cancer et avoir des effets nocifs sur la reproduction –  
[www.P65Warnings.ca.gov](http://www.P65Warnings.ca.gov).

### AVERTISSEMENT - Risque d'incendie

- L'installation du sèche-linge doit être effectuée par un technicien qualifié.
- L'installation du sèche-linge doit se faire conformément aux instructions du fabricant et aux réglementations locales.
- Pour réduire les risques de blessure grave ou de décès, observez attentivement les consignes d'installation.
- Conservez soigneusement ces instructions.

## Consignes de sécurité importantes

### AVERTISSEMENT

Afin de réduire les risques d'incendie, d'électrocution ou de blessures physiques lors de l'utilisation de l'appareil, des précautions de base doivent être prises :

1. Lisez toutes les consignes de sécurité avant d'utiliser l'appareil.
2. Ne faites pas sécher de linge ayant été en contact par nettoyage, lavage ou trempage avec de l'essence, des solvants de nettoyage à sec ou tout autre substance inflammable ou explosive ; ces produits dégagent en effet des vapeurs qui risqueraient de s'enflammer ou d'exploser.
3. N'utilisez pas le sèche-linge pour faire sécher des vêtements comportant des traces de substances inflammables telles que de l'huile végétale, de l'huile de cuisson, de l'huile de machine, des produits chimiques inflammables, des solvants, etc. ou des objets comportant des traces de cire ou de produits chimiques. Ils risqueraient de prendre feu.
4. N'entreposez ni n'utilisez jamais d'essence ou d'autres produits inflammables à proximité de cet appareil ou de tout autre appareil.
5. Ne laissez pas les enfants jouer sur ou dans l'appareil. Une surveillance attentive s'impose lorsque l'appareil est utilisé à proximité d'enfants.
6. Avant la mise hors service ou au rebut de l'appareil, retirez le hublot du tambour.
7. Ne tentez pas d'ouvrir l'appareil lorsque le tambour est en mouvement.
8. N'installez et n'entreposez jamais cet appareil dans un endroit exposé aux intempéries.
9. N'utilisez pas les commandes internes inutilement.

## CONSERVEZ SOIGNEUSEMENT CES CONSIGNES



# Consignes de sécurité

---

10. Ne procédez pas à la réparation ou au remplacement des pièces de l'appareil et ne tentez pas non plus de le réparer vous-même, sauf si le manuel d'entretien ou de réparation contient des recommandations spécifiques en la matière que vous comprenez et êtes en mesure d'exécuter.
11. N'utilisez aucun adoucissant ou produit antistatique autre que ceux recommandés par le fabricant du produit ou de l'appareil.
12. Nettoyez le filtre avant ou après chaque utilisation.
13. Ne sélectionnez pas une température élevée pour faire sécher des articles contenant du caoutchouc mousse ou des matériaux dont la texture est similaire à celle du caoutchouc.
14. L'intérieur de l'appareil doit être nettoyé régulièrement, par un technicien de maintenance qualifié.
15. Ne faites pas sécher du linge ayant été en contact avec de l'huile de cuisson. Le linge ayant été contaminé par de l'huile de cuisson peut entraîner une réaction chimique et il risquerait de s'enflammer. Pour réduire le risque d'incendie dû à du linge contaminé, la phase finale d'un cycle du sèche-linge se fait sans chaleur (période de refroidissement). Évitez d'arrêter un sèche-linge avant la fin de son cycle de séchage, sauf si vous sortez et étendez immédiatement le linge afin que la chaleur se dissipe.
16. Cet appareil doit être mis à la terre. Reportez-vous aux chapitres « **Normes électriques** » et « **Mise à la terre** » dans la section « **Installation** ».
17. Ne laissez pas les enfants jouer sur ou dans l'appareil. Une surveillance attentive s'impose lorsque l'appareil est utilisé à proximité d'enfants.
18. N'insérez pas votre main sous le sèche-linge.
  - Cela pourrait provoquer des blessures.
19. Veillez à ce que les doigts des enfants ne soient pas pris dans la porte en la fermant.
  - Cela pourrait provoquer des blessures.

**CONSERVEZ SOIGNEUSEMENT CES CONSIGNES**



## **AVERTISSEMENT - Pour réduire le risque d'incendie ou d'explosion :**

- Ne faites sécher aucun article ayant été précédemment en contact par nettoyage, lavage ou trempage avec de l'essence, des solvants de nettoyage à sec ou toute autre substance inflammable ou explosive. En effet, ceux-ci diffusent des vapeurs pouvant s'enflammer ou exploser. Ne placez aucun article ayant été en contact avec un solvant ou des matières solides ou liquides inflammables dans le sèche-linge tant que toutes les traces de ces produits n'ont pas été éliminées. De nombreux produits inflammables sont utilisés dans l'environnement domestique comme l'acétone, l'alcool dénaturé, l'essence, le kérosène, certains nettoyants ménagers sous forme liquide, certains détachants, la térébenthine, les cires et les produits décapants.
- Ne faites jamais sécher à chaud les articles à base de caoutchouc mousse (également appelé mousse de latex) ou de matériaux dont la texture ressemble à celle du caoutchouc. En effet, les matières en caoutchouc mousse peuvent, dans certaines circonstances, s'enflammer spontanément.

## **Avertissements**

### **AVERTISSEMENT**

- Vérifiez que les poches sont vides. Les petits objets aux bords irréguliers (pièces de monnaie, canifs, épingles, etc.) risquent en effet d'endommager votre sèche-linge.
- Bouts tranchants – afin de réduire tout risque de blessure, faites attention pendant le nettoyage du condenseur ou des fentes de l'évaporateur.
- La mise à la terre de certaines pièces internes n'a volontairement pas été effectuée; ces éléments peuvent donc présenter un risque d'électrocution (lors de l'entretien uniquement). Technicien de maintenance - Ne touchez pas les pièces suivantes lorsque l'appareil est sous tension: Panneau de commande, Moteur, Pompe de vidange.

## **Mises en garde**

### **ATTENTION**

- Ne laissez ni les enfants ni les animaux domestiques jouer sur, dans ou devant l'appareil. Une surveillance attentive s'impose lorsque l'appareil est utilisé à proximité d'enfants ou d'animaux domestiques.
- Avant de mettre au rebut ou hors service votre sèche-linge, retirez le hublot du compartiment de séchage pour éviter que des enfants ou des animaux ne se trouvent piégés à l'intérieur de l'appareil.
- N'ouvrez pas le sèche-linge lorsque le tambour est en mouvement.
- N'installez et n'entrez jamais cet appareil dans un endroit exposé aux intempéries.

# **CONSERVEZ SOIGNEUSEMENT CES CONSIGNES**



# Consignes de sécurité

---

- N'utilisez pas les commandes du sèche-linge inutilement.
- Ne procédez pas à la réparation, au remplacement ou à l'entretien des pièces de l'appareil sauf si le manuel d'entretien contient des recommandations spécifiques en la matière, si vous comprenez ces recommandations et si vous disposez des compétences requises pour réaliser l'opération.
- N'utilisez aucun adoucissant ou produit anti-statique autre que ceux recommandés par le fabricant.
- Nettoyez le filtre avant ou après chaque utilisation.
- Évitez toute accumulation de peluches, poussières et saletés à proximité de l'orifice d'évacuation.
- L'intérieur du sèche-linge et du conduit d'évacuation doit être nettoyé régulièrement, par un technicien de maintenance qualifié.
- Cet appareil doit être correctement mis à la terre. Ne branchez jamais le cordon d'alimentation sur une prise qui n'est pas correctement reliée à la terre ou qui n'est pas conforme aux réglementations locales et nationales en vigueur. Consultez les consignes d'installation pour relier cet appareil à la terre.
- Ne vous asseyez pas sur le sèche-linge.
- Évitez de faire sécher des vêtements comportant de grandes boucles, des boutons ou d'autres accessoires en métal lourd.
- Installez-le et utilisez-le conformément aux consignes du fabricant.
- N'introduisez aucun article imprégné ou tâché d'huile végétale ou alimentaire dans votre sèche-linge. Même une fois lavés, ces articles peuvent encore contenir une quantité non négligeable d'huile.
- Toute huile résiduelle risque de s'enflammer spontanément. Le potentiel de combustion spontanée augmente lorsque les articles imbibés d'huile végétale ou alimentaire sont exposés à la chaleur. Les sources de chaleur comme votre sèche-linge peuvent chauffer ces articles, engendrant une oxydation de l'huile. Cette oxydation crée elle-même de la chaleur. Si cette chaleur ne se dissipe pas, les articles deviennent suffisamment brûlants pour s'enflammer. Entasser, empiler ou stocker ce type d'articles peut empêcher la dissipation de la chaleur et être à l'origine d'un risque d'incendie.
- Tout le linge imbibé d'huile végétale ou alimentaire, qu'il soit lavé ou non, peut s'avérer dangereux.

Le fait de laver ces articles à l'eau chaude avec une dose supplémentaire de lessive réduit ce risque, sans pour autant le supprimer. Utilisez toujours le programme de refroidissement Cool Down (Refroidissement), afin de réduire leur température. Ne retirez jamais ces articles du sèche-linge lorsqu'ils sont chauds ; de même, n'interrompez pas le programme de séchage tant que le cycle Cool Down (Refroidissement) n'est pas terminé. N'entassez et n'empilez pas ces articles lorsqu'ils sont chauds.

## CONSERVEZ SOIGNEUSEMENT CES CONSIGNES





# Avant l'installation

Lisez attentivement les instructions suivantes avant d'installer le sèche-linge et conservez-les dans un endroit sûr afin de pouvoir vous y reporter ultérieurement.

## AVERTISSEMENT

La mise à la terre de certaines pièces internes n'a volontairement pas été effectuée; ces éléments peuvent donc présenter un risque d'électrocution (lors de l'entretien uniquement). Technicien de maintenance - Ne touchez pas les pièces suivantes lorsque l'appareil est sous tension: Panneau de commande, Moteur, Pompe de vidange.

## Conditions d'installation principales

- Une prise électrique avec mise à la terre.
- Un cordon d'alimentation pour sèche-linge électrique (à l'exception du Canada).
- Un système d'évacuation, réalisé en métal rigide ou en métal flexible avec parois rigides.

## AVERTISSEMENT

Retirez le hublot des appareils mis au rebut pour éviter qu'un enfant ne s'étouffe à l'intérieur.

## Choix de l'emplacement d'installation

- Dégagements adéquats entre le sèche-linge et les murs adjacents ou d'autres surfaces.
- Circulation appropriée de l'air pour l'aération.
- À l'abri de l'eau et des intempéries.

## AVERTISSEMENT

- L'évacuation du sèche-linge doit se faire vers l'extérieur pour réduire les risques d'incendie.
- N'entreposez pas de matériaux combustibles (ex. : essence, gaz et liquides inflammables, etc.) dans la même pièce que le sèche-linge.
- N'installez pas d'appareil au fuel à proximité ou dans la même pièce que le sèche-linge.
- Pour une installation dans un garage, vous devez placer le sèche-linge à 18 po (460 mm) au moins au-dessus du sol.

## Encastrement dans une niche ou installation dans un placard

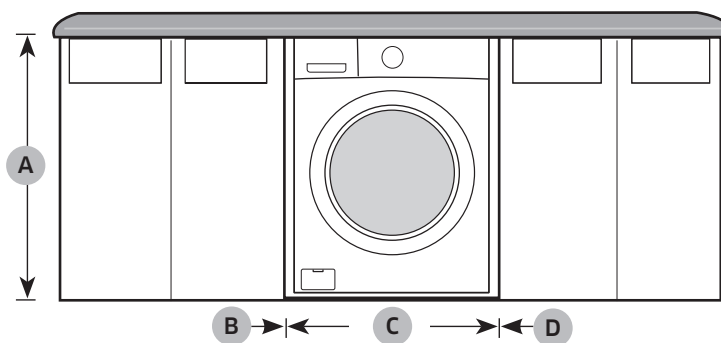
Espace minimum pour un fonctionnement stable :

CÔTÉS	1 po (25 mm)
HAUT	1 po (25 mm)
ARRIÈRE	2 po (50 mm)
AVANT	1 po (25 mm)

Le panneau avant du placard doit être doté de deux aérations non obstruées, pour une zone combinée totale minimum de 72 po<sup>2</sup> (465 cm<sup>2</sup>) avec un dégagement minimum de 3" (7,6 cm) en haut et en bas. Un hublot perforé (évents) et doté d'un dégagement équivalent est acceptable.

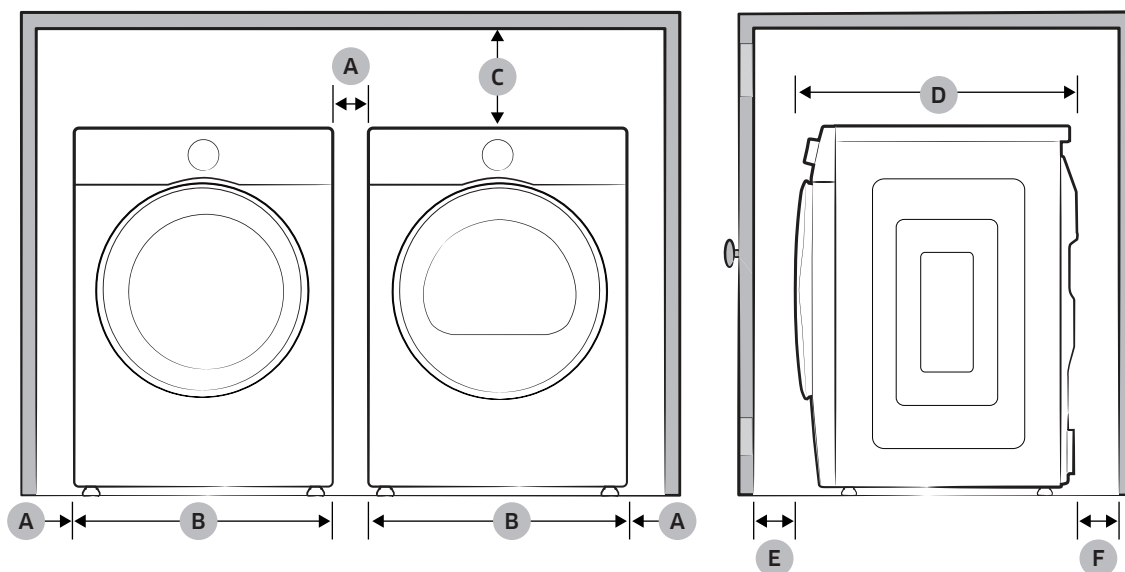
# Avant l'installation

## Installation sous plan



A	34,4 po (875 mm)	C	23,6 po (600 mm)
B	1 po (25 mm)	D	1 po (25 mm)

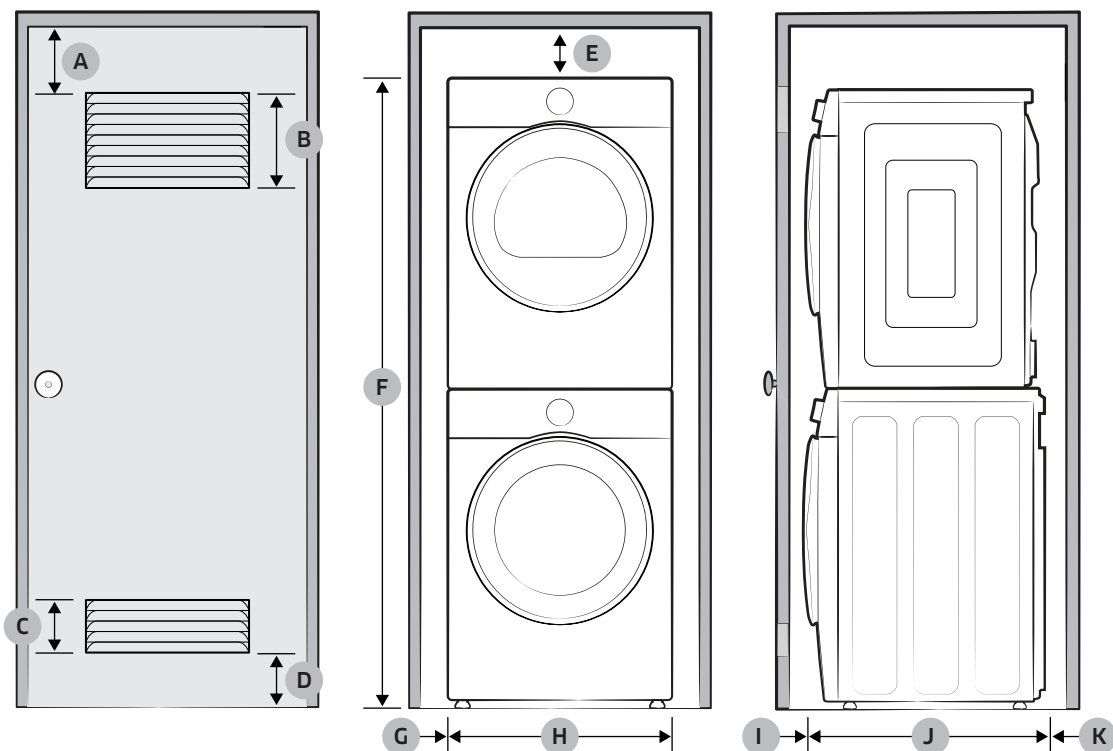
## Installation côte à côte



A*	1 po (25 mm)	D	25,6 po (650 mm)
B	23,6 po (600 mm)	E	1 po (25 mm)
C	1 po (25 mm)	F	2 po (50 mm)

\*Ce dégagement n'est pas applicable aux sèche-linge autonomes.

## Installation empilée (Modèle : SK-DH)



Avant l'installation

A	3 po (76 mm)	G	1 po (25 mm)
B	48 po <sup>2</sup> (310 mm <sup>2</sup> )	H	23,6 po (600 mm)
C	24 po <sup>2</sup> (155 mm <sup>2</sup> )	I	1 po (25 mm)
D	3 po (76 mm)	J	27,1 po (688 mm)
E	6 po (152 mm)	K	2 po (50 mm)
F	67 po (1702 mm)		

### **⚠ AVERTISSEMENT**

Les lave-linge et sèche-linge Samsung peuvent être superposés pour optimiser l'espace utile.

Les kits de superposition sont en vente chez votre revendeur Samsung.

# Avant l'installation

## Normes électriques

Le schéma de câblage figure sur une plaque située sous le panneau de commande ou le panneau arrière.

### AVERTISSEMENT

- Un branchement incorrect du conducteur de mise à la terre peut créer un risque d'électrocution. Demandez conseil à un électricien ou un réparateur agréé si vous avez des doutes quant à la mise à la terre correcte de votre sèche-linge. Ne modifiez pas la prise fournie avec le sèche-linge ; si celle-ci ne correspond pas à la prise secteur, demandez à un électricien qualifié d'installer une prise adéquate.
- Pour prévenir tout risque d'incendie, d'électrocution ou de blessure, l'intégralité du câblage et des mises à la terre doit être réalisée conformément aux réglementations locales ou, en l'absence de ces dernières, conformément au code électrique national (National Electrical Code) ANSI/NFPA No. 70 (dernières révisions) (pour les États-Unis) ou aux dispositions canadiennes sur l'électricité CSA C22.1 (dernières révisions) et aux réglementations locales. Il relève de votre responsabilité de fournir des services électriques adaptés à votre sèche-linge.

## Mise à la terre

Ce sèche-linge doit être mis à la terre. En cas de panne ou de défaillance, la mise à la terre réduira le risque de surtension électrique en fournissant un circuit de fuite au courant électrique.

### AVERTISSEMENT

- Votre sèche-linge est doté d'un cordon en option équipé d'un conducteur de mise à la terre et d'une prise de terre. Ce cordon est vendu séparément.
- La prise doit être branchée sur une prise secteur appropriée, correctement installée et mise à la terre conformément aux dispositions et aux réglementations en vigueur.
- Ne modifiez pas la prise fournie avec le sèche-linge ; si celle-ci ne correspond pas à la prise secteur, demandez à un électricien qualifié d'installer une prise adéquate.
- Si vous n'utilisez pas de cordon d'alimentation et que le sèche-linge électrique doit être branché en permanence, reliez-le à une prise de terre métallique permanente ou connectez un conducteur de mise à la terre aux conducteurs du circuit et à la borne ou au fil de terre de l'appareil.

## Raccordement électrique

Avant toute mise en marche ou test, suivez toutes les consignes de mise à la terre présentées dans la section « **Mise à la terre** ». Nous vous recommandons de relier votre sèche-linge à une dérivation individuelle ou à un circuit distinct. N'utilisez pas de rallonge avec cet appareil.

### Pour les États-Unis uniquement

Aux États-Unis, la plupart des sèche-linge requièrent une alimentation en 240 V c.a., 60 Hz, tandis que d'autres requièrent une alimentation en 208 V c.a., 60 Hz. Vous trouverez les spécifications électriques sur l'étiquette située derrière le hublot. Un disjoncteur ou un fusible de 30 A est requis de chaque côté de la ligne.

- Si vous utilisez un cordon d'alimentation, branchez ce dernier sur une prise 30 A.
- Le cordon d'alimentation n'est pas fourni avec les sèche-linge version électrique aux États-Unis. Ce cordon est vendu séparément.

### AVERTISSEMENT

#### Risque d'électrocution

Lorsque les dispositions locales le permettent, vous pouvez brancher le sèche-linge électrique à l'aide d'un nouveau kit de cordon d'alimentation, portant une mention de compatibilité avec les sèche-linge et homologué UL. Ce cordon doit supporter une alimentation nominale de 240 V, 30 A à partir d'un cordon doté de trois conducteurs en cuivre N°10 et terminé par des bornes en boucle fermée, des cosses à fourches ouvertes aux extrémités relevées ou des conducteurs étamés.

- Ne réutilisez pas le cordon d'alimentation d'un sèche-linge usagé. Le câblage électrique du cordon d'alimentation doit être raccordé au niveau du boîtier électrique du sèche-linge au moyen d'un réducteur de tension homologué UL.
- La mise à la terre via le conducteur neutre est interdite pour (1) les nouvelles installations de circuit, (2) les mobil homes, (3) les véhicules de camping et (4) les zones où les réglementations locales interdisent ce type de mise à la terre. (Dans ces cas-là, utilisez une fiche quadripolaire pour une prise 4 fils, de type NEMA 14-30R.)

### Pour le Canada uniquement

- Vous devez utiliser une alimentation électrique de 240 V c.a., 60 Hz, et un disjoncteur ou fusible de 30 A aux deux extrémités de la ligne.

### REMARQUE

Tous les modèles canadiens sont livrés avec un cordon d'alimentation intégré. Vous devez brancher le cordon d'alimentation sur une prise 30 A.

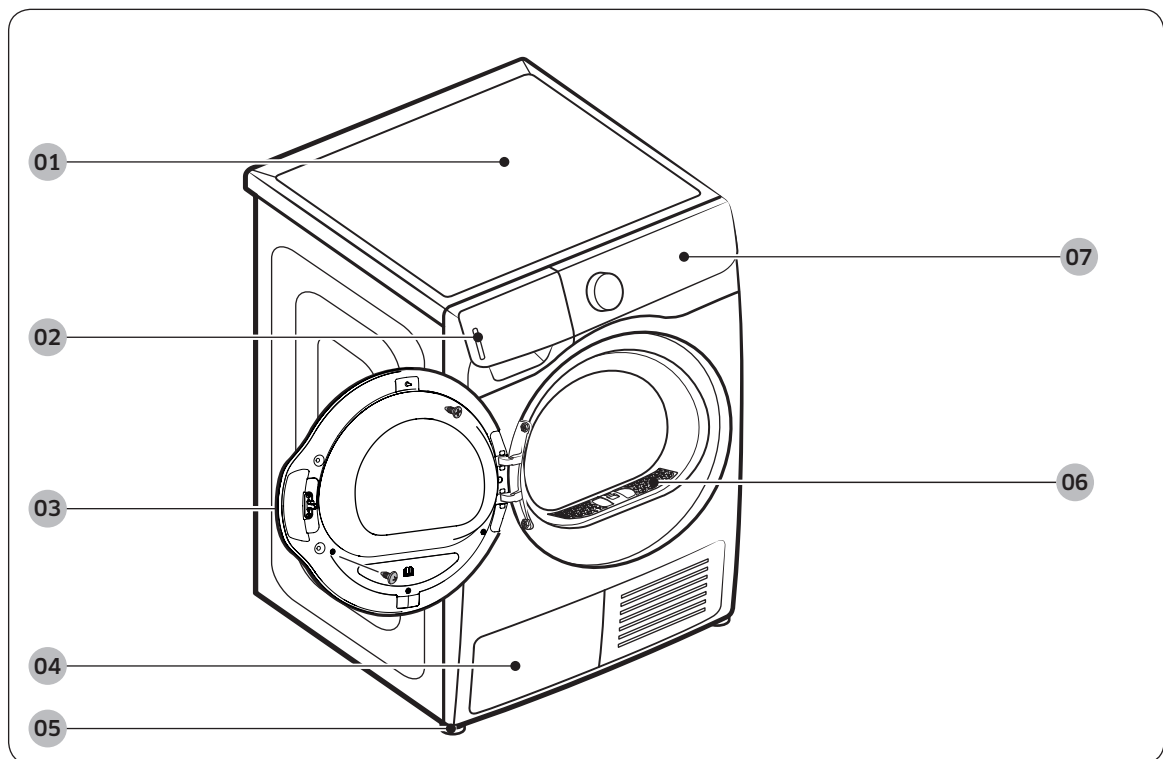
Au Canada, vous pouvez convertir un sèche-linge en 208 V.

# Installation

## Pièces incluses

Déballer soigneusement le sèche-linge. Maintenez tous les matériaux d'emballage hors de la portée des enfants. Les pièces et l'emplacement des pièces indiqués ci-dessous peuvent différer de ceux sur votre sèche-linge. Avant l'installation, assurez-vous que le sèche-linge possède toutes les pièces répertoriées ici. Si le sèche-linge et/ou des pièces sont endommagés ou manquants, prenez contact avec le service clientèle Samsung le plus proche.

## Sèche-linge en un clin d'œil



**01** Capot supérieur

**03** Hublot

**05** Pied réglable

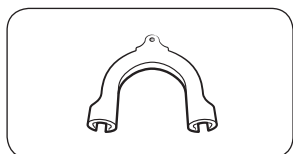
**07** Panneau de commande

**02** Réservoir d'eau

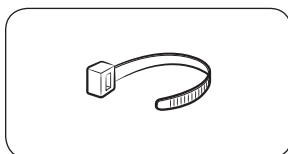
**04** Échangeur de chaleur

**06** Filtre à peluches

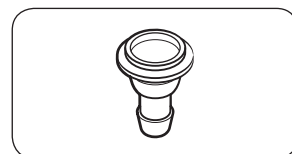
## Accessoires (fournis)



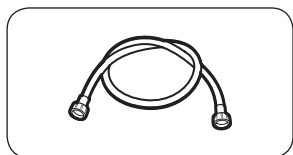
Guide du tuyau



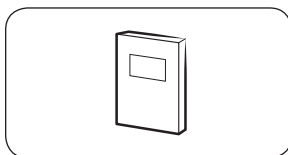
Serre-câble



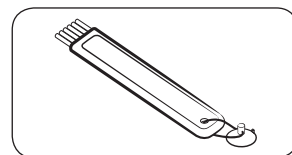
Raccord de tuyau



Long tuyau de vidange  
(2m)

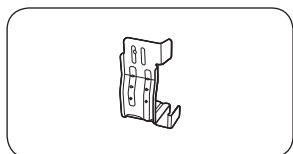


Manuel d'utilisation



Brosse de nettoyage

## Accessoires (uniquement fourni pour le modèle du Canada)



Kit de superposition avec  
support  
(SK-DH)

### REMARQUE

- Le kit de superposition permet de placer le sèche-linge par-dessus un lave-linge. Veuillez noter que le kit de superposition ne peut être utilisé qu'avec les lave-linge et sèche-linge Samsung. Pour acheter un kit de superposition avec support, prenez contact avec un centre de service clientèle ou un revendeur local d'appareils. Le kit de superposition diffère selon le modèle de lave-linge.
- Pour obtenir des instructions de superposition avec le sèche-linge, reportez-vous au manuel d'installation inclus dans le kit de superposition.
- Pour obtenir des informations sur la disponibilité du kit de superposition pour un modèle spécifique, reportez-vous au manuel d'installation inclus dans le kit de superposition.

# Installation

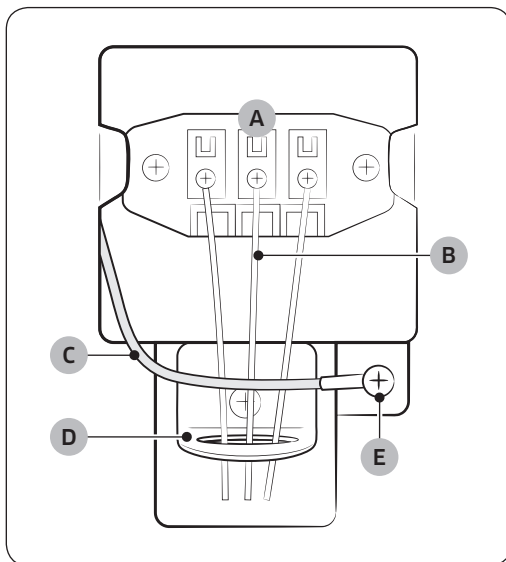
## Installation étape par étape

Assurez-vous que l'installation du sèche-linge est effectuée par un technicien qualifié. Les instructions d'installation étape par étape commencent ci-dessous.

### ÉTAPE 1 Câblage électrique

Tout d'abord, consultez la section « Normes électriques », puis suivez les instructions indiquées sur cette page ou sur la page suivante. Les instructions concernant les branchements à 3 fils figurent sur cette page. Les instructions concernant les branchements à 4 fils figurent sur la page suivante.

Pour un branchement à 3 fils



- A. Vis centrale argentée du bornier
- B. Fil neutre (blanc ou central)
- C. Fil de terre neutre (blanc ou vert/jaune)
- D. Réducteur de tension  $\frac{3}{4}$ " (1,9 cm) homologué UL
- E. Connecteur de terre externe

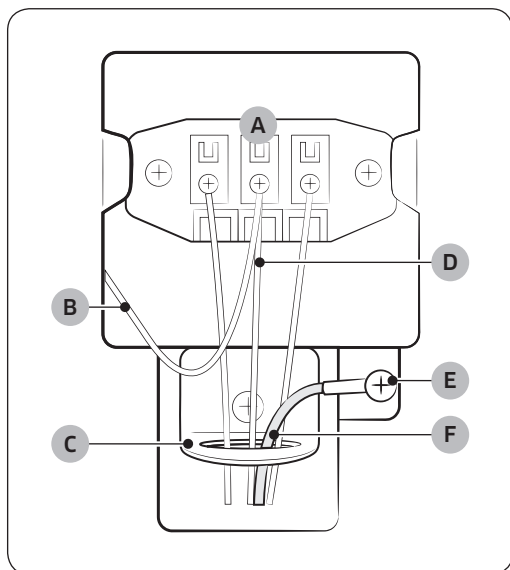
1. Desserrez ou retirez les vis du bornier central.
2. Reliez le fil neutre (blanc ou central) du câble d'alimentation au centre, la vis argentée centrale du bornier. Serrez les vis.
3. Reliez les autres fils aux bornes à vis extérieures. Serrez les vis.
4. Serrez les vis de libération de tension.
5. Insérez le cache du bornier dans le panneau arrière du sèche-linge. Fixez ensuite le cache à l'aide d'une vis.

#### ⚠ ATTENTION

- Lors de la conversion d'un système à 4 fils en système à 3 fils, le conducteur de terre doit être rebranché sur le support du bornier, afin de mettre le châssis du sèche-linge à la terre sur le conducteur neutre.
- Il est recommandé d'utiliser des borniers à anneau. Si vous utilisez des cosses à barrette, veillez à ce qu'elles soient parfaitement mises en place.



## Pour un branchement à 4 fils



- A.** Vis centrale argentée du bornier
- B.** Fil de terre neutre (blanc ou vert/jaune)
- C.** Réducteur de tension ¼" (1,9 cm) homologué UL
- D.** Fil neutre (blanc ou central)
- E.** Connecteur de terre externe
- F.** Fil vert ou en cuivre nu du cordon d'alimentation

1. Retirez la vis du connecteur de terre externe et reliez le fil de terre (vert ou dénudé) du câble d'alimentation à la vis.

### ⚠ ATTENTION

- Pour relier le fil de terre à la position neutre sans utiliser le contact A (mise à la terre du châssis), contactez un technicien. Aucune pièce ne doit être réparée par l'utilisateur.
  - Il est recommandé d'utiliser des borniers à anneau. Si vous utilisez des cosses à barrette, veillez à ce qu'elles soient parfaitement mises en place.
2. Desserrez ou retirez les vis du bornier central.
  3. Reliez le fil neutre (blanc ou central) et le fil de terre (blanc) à la borne à vis centrale argentée du bornier. Serrez la vis.
  4. Reliez les autres fils aux bornes à vis extérieures. Serrez les vis.
  5. Serrez les vis de libération de tension.
  6. Insérez la languette du cache du bornier dans l'encoche arrière du sèche-linge. Fixez ensuite le cache à l'aide d'une vis.

### ⚠ AVERTISSEMENT

- Tous les modèles destinés aux États-Unis sont conçus pour un branchement à 3 fils. Le châssis du sèche-linge est relié à la terre par un conducteur neutre au niveau du bornier. Un branchement à 4 fils est requis dans les cas suivants : nouvelles constructions, habitations rénovées, mobil-homes, réglementations locales n'autorisant pas la mise à la terre via le conducteur neutre. Si vous utilisez un système à 4 fils, vous ne pouvez pas mettre le châssis du sèche-linge à la terre via le conducteur neutre au niveau du bornier.
- Retirez le cache du bornier.

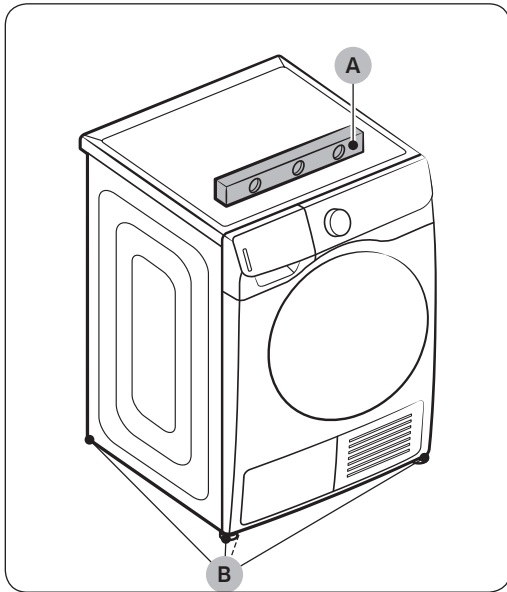


# Installation

- Introduisez le cordon d'alimentation équipé d'un réducteur de tension homologué UL par l'orifice découpé dans le panneau à proximité du bornier.
- Vous devez impérativement utiliser un réducteur de tension.
- Ne desserrez pas les écrous déjà fixés au bornier. Assurez-vous qu'ils sont bien serrés.
- Utilisez une douille longue de 3/8" (1 cm).

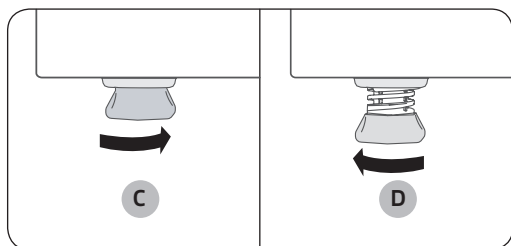
## ÉTAPE 2 Mise à niveau du sèche-linge

Avant d'installer le sèche-linge, assurez-vous d'avoir lu la section Conditions d'installation en page 9. Veuillez noter que les instructions suivantes concernant une installation sans utiliser de tuyau de vidange. Pour connaître les instructions en cas d'utilisation d'un tuyau de vidange, reportez-vous à la section suivante, Tuyau de vidange (si nécessaire). Pour des questions pratiques, pensez à installer le sèche-linge près de votre lave-linge.



1. Placez délicatement le sèche-linge à l'emplacement souhaité.
2. Utilisez un **niveau (A)** et vérifiez que le sèche-linge est bien à plat de gauche à droite et de l'avant à l'arrière.
3. Si le sèche-linge n'est pas de niveau, ajustez le **ped de réglage (B)**. Faites tourner le pied dans le sens antihoraire pour le rétracter. Faites tourner le pied dans le sens horaire pour le déployer.
4. Une fois le sèche-linge de niveau, assurez-vous qu'il repose fermement sur le sol.
5. Branchez le sèche-linge.



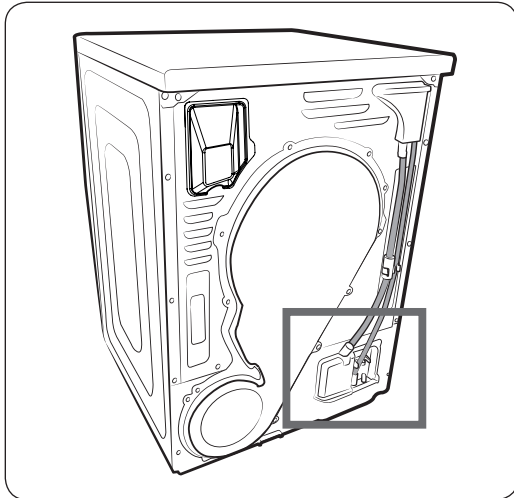


#### REMARQUE

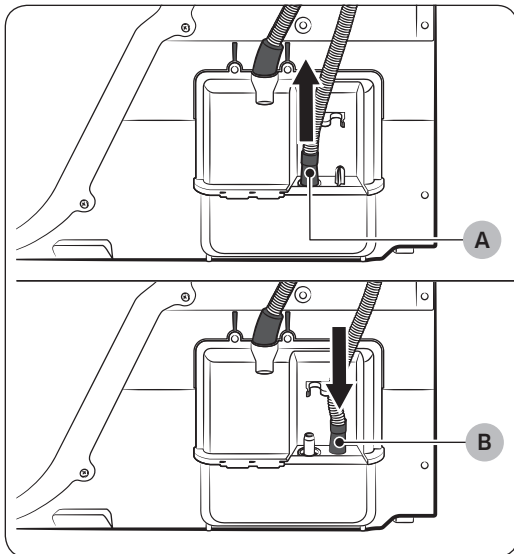
- Le sèche-linge peut être mis de niveau à l'aide de l'un ou des deux pieds avant et arrière du sèche-linge.
- Pour positionner le sèche-linge à la même hauteur que votre lave-linge, **rétractez entièrement (C)** les pieds réglables en les faisant tourner dans le sens antihoraire, puis **desserrez-les (D)** en les faisant tourner dans le sens horaire.
- Déployez le pied de réglage jusqu'à la hauteur nécessaire. Si vous étendez les pieds réglables plus que nécessaire, les vibrations seront plus importantes.

# Installation

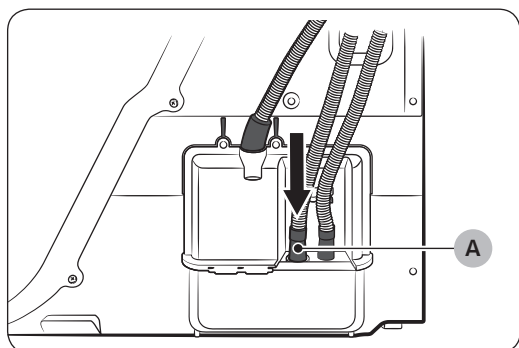
## Tuyau de vidange (si nécessaire)



Le sèche-linge est équipé d'un réservoir d'eau intégré. Toutefois, si vous ne souhaitez pas utiliser le réservoir d'eau, vous pouvez installer le tuyau de vidange. Le tuyau en option fourni (long tuyau de vidange) peut être utilisé en tant que rallonge du tuyau de vidange.

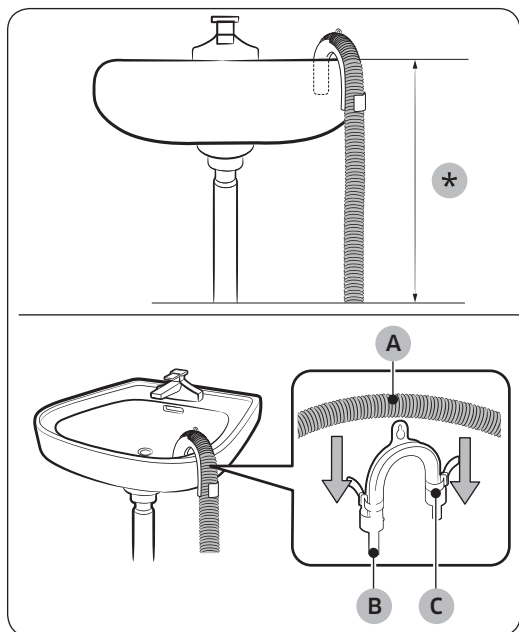


1. Retirez le tuyau de vidange au niveau de l'orifice (A) et insérez-le dans l'orifice (B).



2. Insérez une extrémité du tuyau en option (long tuyau de vidange) dans l'orifice (A).
3. Insérez l'autre extrémité (sortie) du tuyau en option sur le système de vidange de l'une des façons suivantes :

### Au-dessus d'un lavabo :



1. Assurez-vous de placer l'extrémité du tuyau en option à moins de **90 cm (\*)** de la partie inférieure du sèche-linge.
2. Pour incurver une partie du tuyau en option, utilisez le **guide de tuyau (B)** en plastique fourni et fixez le guide sur le mur à l'aide d'un crochet ou sur le robinet avec un bout de ficelle. Assemblez le **tuyau de vidange (A)** et le **guide de tuyau (B)**, et fixez-les à l'aide du **serre-câble (C)**.
3. Il est possible de vidanger l'eau de condensation en raccordant directement le tuyau fourni (long tuyau de vidange) à la sortie de vidange.

#### ⚠ ATTENTION

Ne branchez pas de rallonge sur le tuyau de vidange. De l'eau risque de fuir au niveau de la zone de raccordement. Utilisez un long tuyau de vidange.

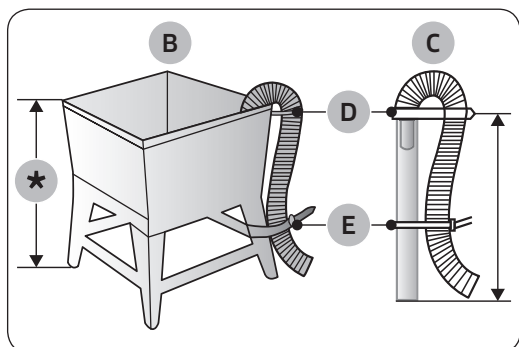
#### Dans une conduite d'évacuation ou un bac à laver

La longueur du bac à laver (B) et du tuyau d'évacuation (C) ne doit pas dépasser 35,4 po (90 cm).

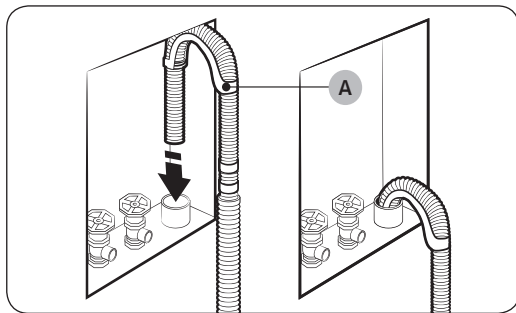
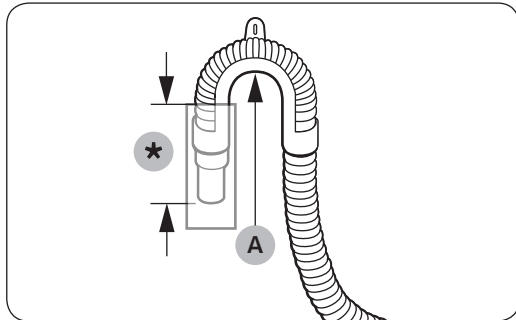
Assurez-vous que le tuyau de vidange et la conduite d'évacuation ne sont pas étanches à l'air.

#### 📖 REMARQUE

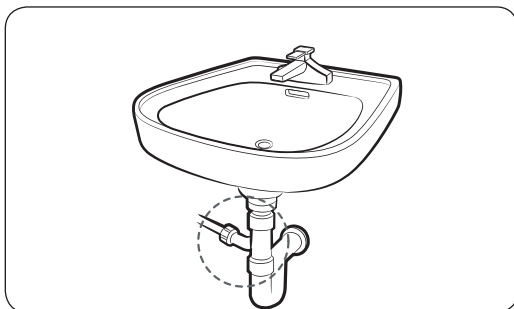
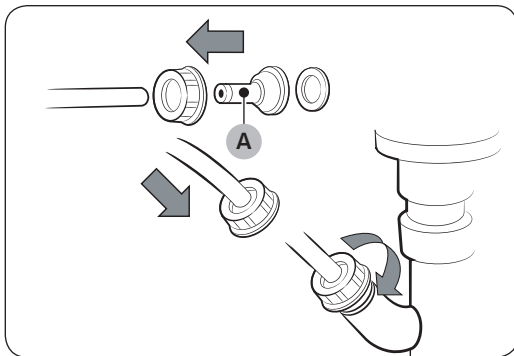
D: Fixation pour tuyau / E: Collier de fixation



# Installation



## En utilisant le tuyau de vidange du lavabo :



### ⚠ ATTENTION

- Raccordez le **guide du tuyau de vidange (A)** à maximum 6 pouces (15 cm)\* de distance de l'extrémité du tuyau de vidange.

Si le tuyau de vidange se prolonge au delà de l'extrémité du guide de tuyau, des moisissures ou microorganismes pourraient se diffuser à l'intérieur du sèche-linge.

- Le tuyau de vidange peut être installé jusqu'à 35,4 pouces (90 cm) de hauteur, mais la capacité de drainage peut être réduite à cette hauteur. L'eau restant dans le sèche-linge peut provoquer un dysfonctionnement.

### Système de vidange du tube vertical mural

Le tuyau de vidange doit être placé dans un système de vidange de tube vertical mural. Pour que l'extrémité du tuyau de vidange reste courbé, utilisez le **guide plastique (A)** fourni. Fixez le guide au mur en utilisant un crochet pour assurer une vidange stable.

1. Assemblez le **accord de tuyau (A)** et attachez-le sur l'extrémité du tuyau en option comme indiqué.

### ⚠ ATTENTION

Pour éviter toute fuite d'eau, assurez-vous de relier fermement le tuyau et le raccord.

2. Raccordez directement l'adaptateur de tuyau au conduit de vidange du lavabo.

---

## Liste de vérification pour l'installation

---

- Le sèche-linge est branché à une prise correctement reliée à la terre.
- Tous les matériaux d'emballage ont été complètement retirés et correctement mis au rebut.
- Le sèche-linge est de niveau et repose fermement sur le sol.
- Allumez le sèche-linge pour vérifier qu'il fonctionne, chauffe et s'arrête.
- Lancez un cycle **TIME DRY (SÉCHAGE À MINUTERIE)** pendant 20 minutes pour voir si le code d'information **HC** s'affiche. Si c'est le cas, prenez contact avec un centre de dépannage local.
- Après l'installation, nous vous recommandons d'attendre au moins 1 heure avant d'utiliser le sèche-linge.

---

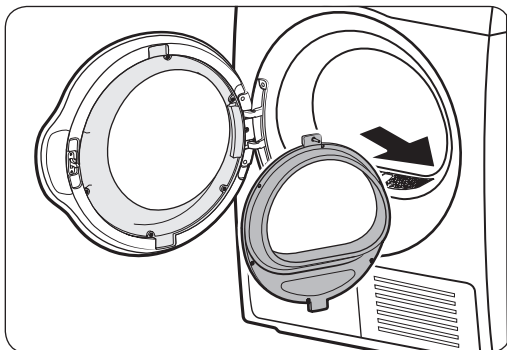
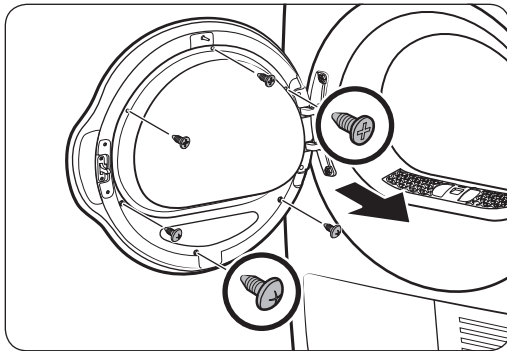
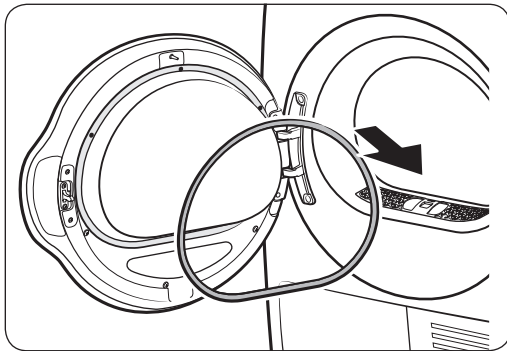
## Avant d'utiliser le sèche-linge

---

- Assurez-vous qu'il ne reste aucun accessoire à l'intérieur du tambour.
- Branchez le cordon d'alimentation juste avant d'utiliser le sèche-linge.
- N'obturez pas l'entrée d'air de la grille de refroidissement située à l'avant du sèche-linge.
- Ne placez pas d'objets inflammables à proximité du sèche-linge et veillez à la propreté de son environnement.
- Veillez à ce que le sèche-linge soit de niveau.
- Ne retirez pas les pieds réglables du sèche-linge. Ils permettent d'assurer la mise à niveau du sèche-linge par rapport au sol.

# Installation

## Changement de position de la porte



Pour inverser la direction de la porte, nous vous recommandons de contacter un technicien qualifié.

1. Retirez le joint du hublot.

2. Retirez les vis du support de la vitre intérieure du hublot.

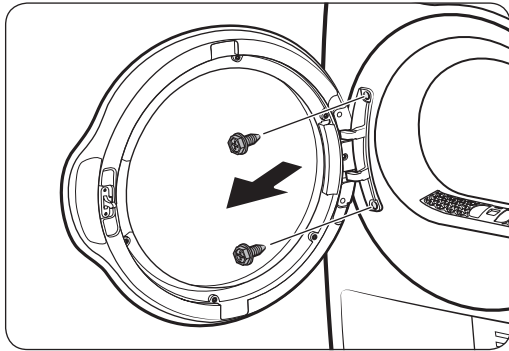
- D'abord, desserrez et retirez les 3 vis de la partie inférieure. Ensuite, desserrez et retirez les 3 vis de la partie supérieure du support.

3. Détachez le support de la vitre.

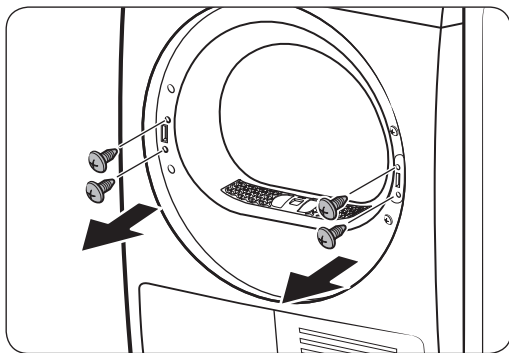
### ⚠ ATTENTION

Veillez à ne pas faire tomber toute partie du support au moment de le détacher. Risque de dommages matériels (fissures ou fêlures) ou de blessures physiques.

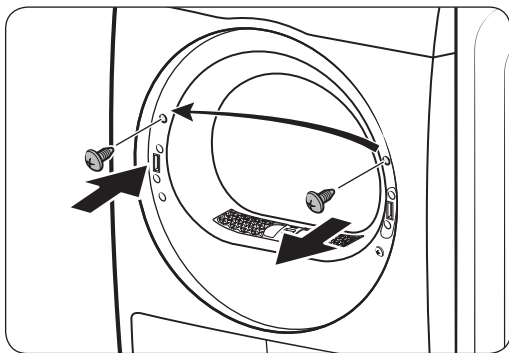




4. Retirez les vis de charnière et détachez le hublot.
  - Desserrez et retirez les 2 boulons de l'encadrement du hublot.
  - Afin d'éviter toute abrasion des boulons, utilisez un tournevis hexagonal.

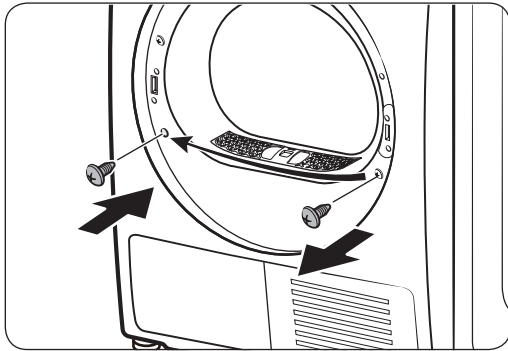


5. Retirez les 2 vis du support sur l'encadrement gauche, puis retirez les 2 vis du support sur l'encadrement droit.

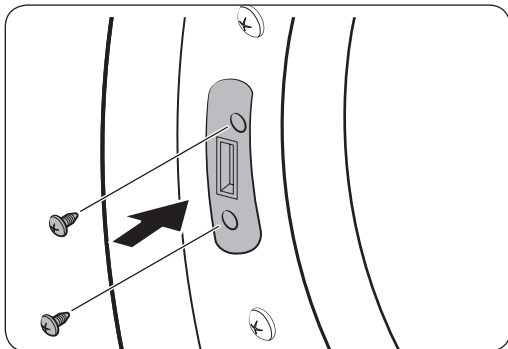


6. Retirez la vis supérieure à droit de l'encadrement du hublot, puis insérez-la dans le trou gauche correspondant de l'encadrement du hublot. Ne retirez pas les vis du support inférieur.

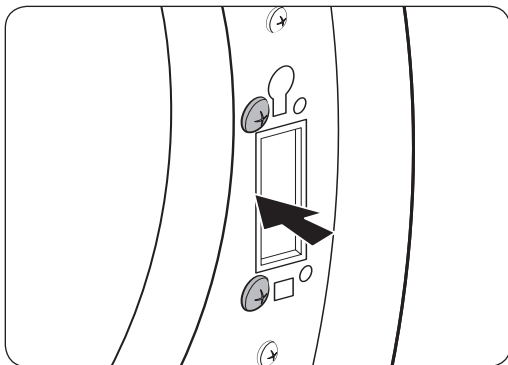
# Installation



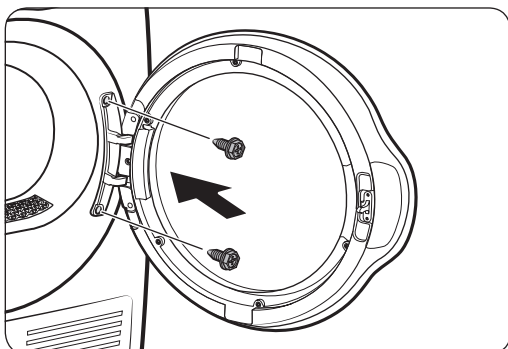
7. Retirez la vis inférieure sur l'encadrement droit, puis insérez-la dans le trou correspondant de l'encadrement gauche.



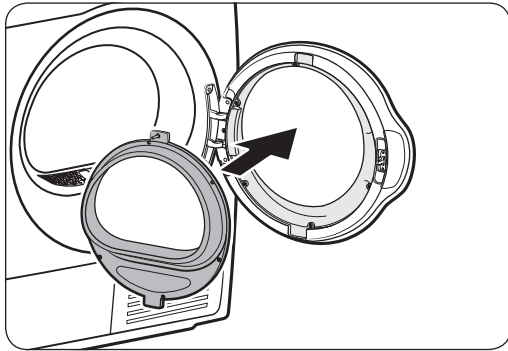
8. Insérez les 2 vis du support retirées dans l'encadrement gauche, comme indiqué.  
- Voir l'illustration de gauche pour le bon emplacement des vis.



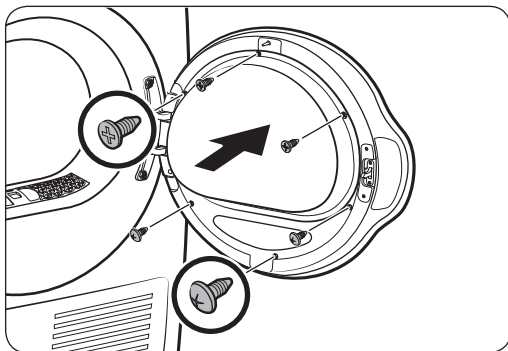
9. Fixez le panneau droit à l'aide des deux vis d'attache retirées comme l'illustre la figure.  
- Voir l'illustration de droite pour le bon emplacement des vis.



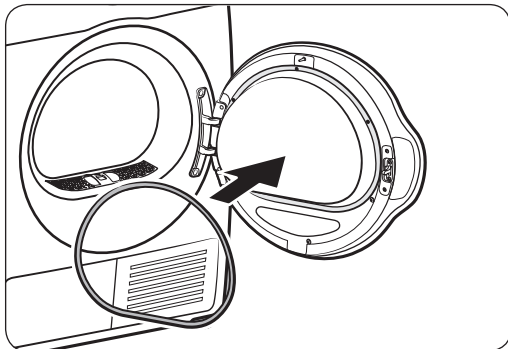
10. Insérez la charnière du hublot dans la position opposée de l'encadrement du hublot, puis serrez les 2 vis à boulon.



- 11.** Insérez le support de la vitre intérieure dans le cache du hublot installé sur l'encadrement droit.



- 12.** Resserrez les trois vis du haut et les trois vis du bas.



- 13.** Fixez le joint du hublot sur le hublot.



# Avant de démarrer

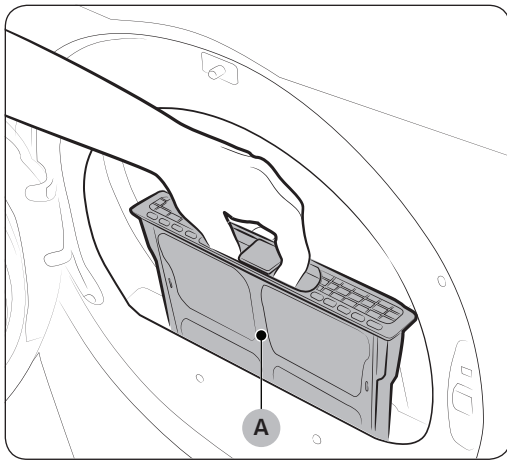
Il y a un certain nombre de choses que vous devez savoir avant de démarrer votre sèche-linge.

## Tri et charge

- Mettez une seule charge de linge à la fois dans le sèche-linge.
- Ne mélangez pas du linge lourd et du linge léger.
- Pour augmenter l'efficacité de séchage pour un ou deux vêtements, ajoutez une serviette sèche à la charge.
- Pour obtenir des résultats optimaux, démêlez le linge avant de l'introduire dans le sèche-linge.
- Une surcharge peut réduire l'action du tambour et ainsi entraîner un séchage inégal et altérer l'effet anti-froissage.
- Sauf indication contraire sur l'étiquette d'entretien, ne faites pas sécher des vêtements en laine ou en fibre de verre au sèche-linge.
- Évitez de faire sécher au sèche-linge des vêtements qui n'ont pas été lavés.
- Ne faites pas sécher des vêtements salis avec de l'huile, de l'alcool, de l'essence, etc.

## Conditions de fonctionnement préalables

### Filtre à peluches



Pour éviter tout risque d'incendie, assurez-vous de nettoyer le filtre à peluches avant ou après chaque charge.

1. Éteignez le sèche-linge.
2. Ouvrez le hublot et retirez le **filtre à peluches (A)** de l'intérieur du tambour.
3. Retirez les peluches qui se sont accumulées, puis nettoyez le filtre à peluches.
4. Réinsérez le filtre à peluches, puis fermez la porte.

#### **ATTENTION**

- Ne faites pas fonctionner le sèche-linge si le filtre à peluches n'est pas remis en place.
- N'utilisez pas un filtre à peluches endommagé ou cassé. Cela peut réduire les performances et/ou entraîner un incendie.



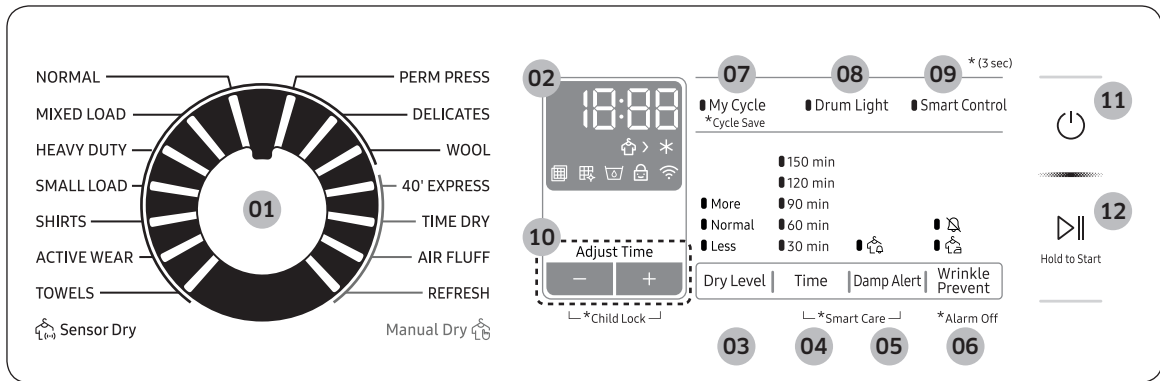
# Opérations

## ⚠ AVERTISSEMENT

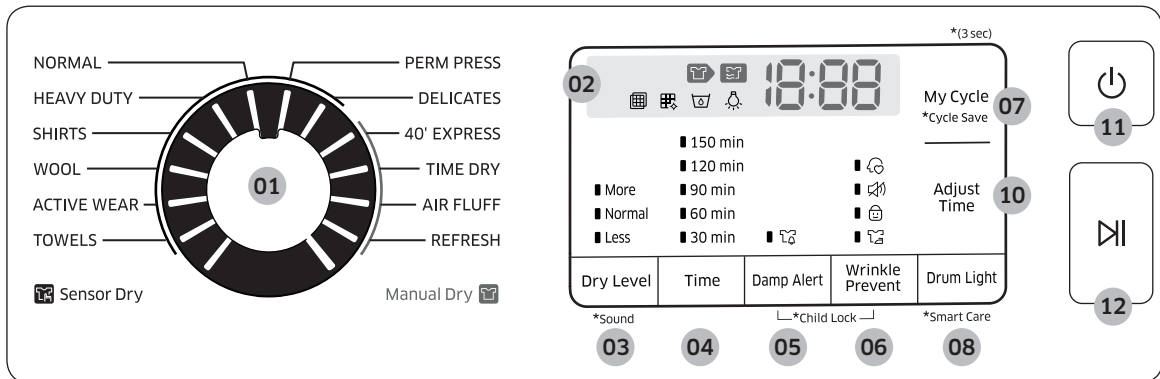
Afin de réduire le risque d'incendie, d'électrocution ou de blessures, consultez la section « Consignes de sécurité » avant d'utiliser cet appareil.

## Panneau de commande

### DV22N685\*H\*





### DV22N680\*H\*



<b>01</b> Sélecteur de cycle	Faites tourner le sélecteur de cycle pour sélectionner un cycle souhaité. Lorsqu'un cycle est sélectionné, le voyant du cycle s'allume.
<b>02</b> Affichage numérique	Affiche toutes les informations du cycle, notamment sa durée, son code d'information, son état de fonctionnement et ses témoins.

# Opérations









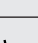
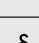
<b>03 Dry Level</b> (Niveau de séchage)	<p>Appuyez pour ajuster le niveau de séchage pour les cycles <b>Sensor Dry (Séchage à capteur)</b>. Le voyant correspondant s'allume.</p> <ul style="list-style-type: none"> <li>• Pour obtenir un séchage parfait sur des volumes de linge plus importants, vous pouvez utiliser les paramètres <b>More (Fort)</b>.</li> <li>• Le paramètre <b>Less (Faible)</b> convient mieux aux tissus légers ou si vous souhaitez que les vêtements ressortent légèrement humides en fin de cycle.</li> </ul> <p> <b>REMARQUE</b> Cette option n'est pas disponible avec <b>WOOL (LAINE)</b> et <b>ACTIVE WEAR (VÊTEMENTS DE SPORT)</b>.</p>
<b>04 Time (Temps)</b>	<p>Appuyez sur ce bouton pour ajuster la durée du cycle pour les cycles <b>40' EXPRESS (EXPRESS 40')</b>, <b>TIME DRY (SÉCHAGE À MINUTERIE)</b>, <b>AIR FLUFF (FLUX D'AIR)</b> et <b>REFRESH (RAFRAÎCHISSEMENT)</b>.</p> <ul style="list-style-type: none"> <li>• Les options de durée suivantes (unité : minutes) sont disponibles : 30, 60, 90, 120, et 150.</li> <li>• Le temps de séchage exact varie en fonction du taux d'humidité du linge.</li> </ul>
<b>05 Damp Alert</b> (Alerte d'humidité)	<p>Cette alerte est disponible avec tous les cycles <b>Sensor Dry (Séchage à capteur)</b>, sauf pour <b>ACTIVE WEAR (VÊTEMENTS DE SPORT)</b> et <b>WOOL (LAINE)</b>. Les niveaux de séchage disponibles sont <b>Normal</b>, <b>More (Fort)</b> et <b>Less (Faible)</b>.</p> <p>Si la charge de linge se compose de différents tissus, le voyant Damp Alert (Alerte d'humidité) clignote lorsque le niveau de séchage moyen du linge est de 80 %. Cela vous permet de prendre les vêtements que vous ne souhaitez pas entièrement secs ou qui séchent rapidement hors du sèche-linge tout en permettant aux autres de continuer à sécher.</p>
<b>06 Wrinkle Prevent</b> (Anti-froissage)	<p>La fonction <b>Wrinkle Prevent (Anti-froissage)</b> assure environ 180 minutes de rotation à froid par intermittence à la fin du cycle pour éviter de froisser le linge. Appuyez sur <b>Wrinkle Prevent (Anti-froissage)</b> pour activer cette fonction. Une fois que le linge est sec, vous pouvez le retirer à tout moment du sèche-linge pendant le cycle <b>Wrinkle Prevent (Anti-froissage)</b>.</p> <ul style="list-style-type: none"> <li>• Maintenez enfoncé <b>Wrinkle Prevent (Anti-froissage)</b> pendant 3 secondes pour désactiver l'alarme. Lorsque l'alarme est désactivée, le voyant Désactivation de l'alarme () s'allume.</li> </ul>
<b>07 My Cycle (Mon cycle)</b>	<p>Choisissez votre cycle favori, y compris sa durée, la température et le niveau de séchage. Reportez-vous à la section « <b>My Cycle (Mon cycle)</b> » pour en savoir plus.</p>
<b>08 Drum Light</b> (Éclairage du tambour)	<p>Appuyez sur ce bouton pour allumer/éteindre l'éclairage intérieur. L'éclairage reste allumé pendant 2 minutes, puis il s'éteint automatiquement.</p>
<b>09 Smart Control</b> (DV22N685*H*)	<p>Après avoir connecté le sèche-linge à votre réseau domestique à l'aide de l'application SmartThings, vous pouvez contrôler le sèche-linge à distance. Le témoin <b>Smart Control</b> clignote. Le chargeur entre en mode d'attente des commandes à distance. Pour plus d'informations, reportez-vous à la section SmartThings à la page 38.</p>

<b>10 Adjust Time</b> (Réglage du temps)	Vous pouvez modifier la durée réglée pour les cycles <b>Manual Dry (Séchage manuel)</b> . Pour modifier la durée du cycle, appuyez sur les boutons <b>Adjust Time (Réglage du temps)</b> (- et +) jusqu'à ce que la durée souhaitée s'affiche. ※ Le modèle DV22N680*H* est le seul avec un bouton (Adjust Time (Réglage du temps)).
<b>11 Marche/Arrêt</b>	Appuyez pour allumer/éteindre le sèche-linge.
<b>12 Départ/Pause</b> (Hold to Start (Maintenir enfoncé pour commencer))	Maintenez ce bouton enfoncé pour démarrer une opération, ou appuyez sur ce bouton pour arrêter temporairement une opération.







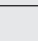
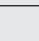

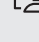

### REMARQUE

Les vêtements extrêmement emmêlés finis par le lave-linge peuvent dégrader l'efficacité de séchage ou entraîner l'ouverture de la porte. Nous vous recommandons de démêler les vêtements avant de procéder au séchage.

### Témoins (DV22N685\*H\*)

	Séchage		Child Lock (Sécurité enfant)
	Refroidissement		Wi-Fi
	Vérifier le filtre		Alarm Off (Désactivation de l'alarme)
	Alarme de nettoyage de l'échangeur de chaleur		Wrinkle Prevent (Anti-froissage)
	Réservoir d'eau plein		Damp Alert (Alerte d'humidité)

### Témoins (DV22N680\*H\*)

	Séchage		My Cycle (Mon cycle)
	Refroidissement		Arrêt son
	Vérifier le filtre		Child Lock (Sécurité enfant)
	Alarme de nettoyage de l'échangeur de chaleur		Wrinkle Prevent (Anti-froissage)
	Réservoir d'eau plein		Damp Alert (Alerte d'humidité)
	Drum Light (Éclairage du tambour)		

# Opérations

## Étapes simples pour commencer

1. Appuyez sur le bouton **Marche/Arrêt** pour allumer le sèche-linge.
2. Faites tourner le **Sélecteur de cycle** pour sélectionner un cycle.
3. Modifiez les paramètres du cycle (**Dry Level (Niveau de séchage)** **Time (Temps)**) selon les besoins.
4. Facultativement, vous pouvez activer des options parmi celles disponibles en appuyant sur le bouton correspondant. (**Adjust Time (Réglage du temps)** - et +, **Wrinkle Prevent (Anti-froissage)**, et/ou **Damp Alert (Alerte d'humidité)**)
5. Maintenez appuyé **Départ/Pause (Hold to Start (Maintenir enfoncé pour commencer))**. Le voyant du sèche-linge s'allume avec une durée de cycle estimée affichée à l'écran.

## Pour changer de cycle pendant l'utilisation

1. Appuyez sur **Départ/Pause (Hold to Start (Maintenir enfoncé pour commencer))** pour interrompre le fonctionnement.
2. Sélectionnez un autre cycle.
3. Maintenez appuyé **Départ/Pause (Hold to Start (Maintenir enfoncé pour commencer))** pour démarrer le nouveau cycle.

## Tri et charge

- N'introduisez qu'une seule charge de linge à la fois dans le sèche-linge.
- Évitez de mélanger les articles lourds et légers ensemble.
- Pour améliorer l'efficacité du séchage pour un ou deux articles, ajoutez une serviette sèche à la charge.
- Pour des résultats optimaux, démêlez les articles avant de les introduire dans le sèche-linge.
- Une surcharge peut limiter l'action du tambour et ainsi entraîner un séchage inégal et altérer l'effet anti-froissage.
- Sauf indication contraire stipulée sur l'étiquette d'entretien, évitez de faire sécher des articles en laine ou en fibre de verre.
- Évitez de faire sécher au sèche-linge des vêtements qui n'ont pas été lavés.
- Ne faites pas sécher des vêtements salis avec de l'huile, de l'alcool, de l'essence, etc.



## Présentation des cycles

### Sensor Dry (Séchage à capteur)

Les cycles **Sensor Dry (Séchage à capteur)** calculent le taux d'humidité du linge et arrêtent le sèche-linge une fois que le linge atteint le niveau de séchage que vous avez sélectionné avec **Dry Level (Niveau de séchage)**.

Cycle	Description
NORMAL	Pour la plupart des tissus y compris le coton et le lin.
MIXED LOAD (CHARGE MIXTE) (DV22N685*H*)	Pour les charges mixtes contenant du coton et des tissus synthétiques.
HEAVY DUTY (GRAND RENDEMENT)	Pour le séchage du linge composé de tissus épais, tels que les jeans, le velours côtelé ou les vêtements de travail avec un chauffage à haute température.
SMALL LOAD (PETITE CHARGE) (DV22N685*H*)	Utile pour sécher rapidement un petit volume d'habits.
SHIRTS (CHEMISES)	Utile pour sécher un seul vêtement comme une chemise.
ACTIVE WEAR (VÊTEMENTS DE SPORT)	Pour laver les vêtements de sports et d'extérieur tels que les maillots, les shorts, les vestes imperméables et autres. Les tissus épais comme une fermeture éclair ou le Velcro d'une veste, ou des chaussettes de sport peuvent ne pas être complètement séchés.
TOWELS (SERVIETTES)	Serviettes et linge de bain
PERM PRESS (INFROISSABLES)	Ce cycle permet le séchage automatique des tissus infroissables en coton, synthétique et lainage.
DELICATES (DÉLICAT)	Pour les vêtements sensibles à la chaleur à une faible température de séchage.
WOOL (LAINE)	Lainages lavables en machine et séchables en sèche-linge uniquement.

# Opérations

## Manual Dry (Séchage manuel)


Vous pouvez modifier les paramètres de séchage manuellement selon vos préférences.

Cycle	Description
40' EXPRESS (EXPRESS 40')	Pour sécher des synthétiques en coton léger ou des articles nécessitant un séchage rapide. Le temps de séchage par défaut est de 40 minutes.
TIME DRY (SÉCHAGE À MINUTERIE)	Vous pouvez spécifier une durée de cycle en minutes.
AIR FLUFF (FLUX D'AIR)	Fait tourner le linge avec de l'air à température ambiante.
REFRESH (RAFRAÎCHISSEMENT)	Utilise l'air chaud pour désodoriser et rafraîchir les vêtements.

## Guide des cycles

La meilleure méthode pour faire sécher du linge est de suivre les instructions indiquées sur l'étiquette d'entretien. Si aucune instruction de séchage n'est fournie, reportez-vous au tableau suivant pour référence.

Cycle	Description
Couvre-lits et couettes	Suivez les instructions figurant sur l'étiquette d'entretien ou séchez à l'aide du cycle <b>NORMAL</b> . <ul style="list-style-type: none"><li>Assurez-vous que l'article est complètement sec avant de l'utiliser ou de le ranger.</li><li>Il est parfois nécessaire de repositionner l'article dans le tambour pour assurer un séchage homogène.</li></ul>
Couvertures	Utilisez le cycle <b>NORMAL</b> et ne séchez qu'une couverture à la fois pour garantir un séchage optimal. <ul style="list-style-type: none"><li>Assurez-vous que les couvertures sont complètement sèches avant de les utiliser ou de les ranger.</li></ul>
Rideaux et tentures	Utilisez <b>PERM PRESS (INFROISSABLES)</b> pour réduire le froissement. <ul style="list-style-type: none"><li>Faites sécher vos rideaux et tentures par petites charges pour des résultats optimaux et retirez-les du sèche-linge dès que possible après la fin du cycle.</li></ul>
Couches en tissu	Utilisez <b>NORMAL</b> pour des couches souples et pelucheuses.
Articles garnis de duvet (vestes, sacs de couchage, couettes, etc.)	Suivez les instructions figurant sur l'étiquette d'entretien ou séchez à l'aide du cycle <b>NORMAL</b> . <ul style="list-style-type: none"><li>Ajoutez quelques serviettes sèches pour absorber l'humidité et réduire le temps de séchage.</li></ul>

Cycle	Description
Caoutchouc mousse (tapis, peluches, épaulettes, etc.)	Ne faites pas sécher ces articles à chaud. Utilisez le cycle <b>AIR FLUFF (FLUX D'AIR)</b> .  <b>AVERTISSEMENT</b> Sécher un article à base de caoutchouc à chaud risque de l'endommager ou de provoquer un incendie.
Oreillers	Utilisez le cycle <b>NORMAL</b> . <ul style="list-style-type: none"> <li>• Ajoutez quelques serviettes sèches et une paire de baskets propres pour favoriser l'action du tambour et dépelucher les oreillers.</li> <li>• Ne faites pas sécher des oreillers à base de capoc ou de mousse avec un cycle de séchage à chaud.</li> </ul> Vous pouvez faire sécher ces articles uniquement si vous utilisez le cycle <b>AIR FLUFF (FLUX D'AIR)</b> .
Plastiques (rideaux de douche, bâches, etc.)	Utilisez le cycle <b>AIR FLUFF (FLUX D'AIR)</b> ou <b>TIME DRY (SÉCHAGE À MINUTERIE)</b> et les paramètres de température <b>Low (Basse)</b> ou <b>Extra Low (Très basse)</b> , en fonction des instructions de l'étiquette d'entretien.

 **AVERTISSEMENT**

Ne faites pas sécher :

- des articles en fibre de verre (rideaux, tentures, etc.)
- des lainages, sauf indication contraire sur l'étiquette
- des articles imprégnés d'huile végétale ou alimentaire

# Opérations

## Fonctions spéciales

### Child Lock (Sécurité enfant)

Cette fonction empêche les enfants de jouer avec le sèche-linge. Lorsque la fonction Sécurité enfant est activée, seul le bouton **Marche/Arrêt** est opérationnel. Pour activer/désactiver la fonction Sécurité enfant, maintenez simultanément **Adjust Time (Réglage du temps)** (- et +) enfoncés pendant 3 secondes.

※ Modèle DV22N680\*H\*: Appuyez et maintenez les boutons **Damp Alert (Alerte d'humidité)** et **Wrinkle Prevent (Anti-froissage)**.

### REMARQUE

Une fois la fonction Sécurité enfant activée, elle reste active même après avoir redémarré le sèche-linge. Si les boutons, à l'exception du bouton **Marche/Arrêt**, ne répondent pas, vérifiez le voyant Sécurité enfant. Si le voyant est allumé, suivez les consignes ci-dessus pour désactiver la fonction Sécurité enfant.

### My Cycle (Mon cycle)

Vous pouvez créer votre propre cycle contenant vos réglages de préférence et l'utiliser à votre guise.

1. Faites tourner le **Sélecteur de cycle** pour sélectionner un cycle. Le voyant du cycle s'allume.
2. Réglez ou modifiez les paramètres (**Dry Level (Niveau de séchage)**, **Time (Temps)**, etc.) et/ou les options, tel que nécessaire. Chaque voyant correspondant clignote.
3. Appuyez et maintenez enfoncé **My Cycle (Mon cycle)** pendant 3 secondes. Le sèche-linge stocke le cycle sélectionné avec ses paramètres.

Pour utiliser Mon cycle, appuyez sur **My Cycle (Mon cycle)**.

### REMARQUE

La fonction **WRINKLE PREVENT (ANTI-FROISSAGE)** n'est pas disponible avec Mon cycle.

## Smart Care

Si le sèche-linge affiche un code d'information, vous pouvez utiliser Smart Care pour vérifier le statut du sèche-linge sur un smartphone. Pour utiliser Smart Care, vous devez avoir l'application Samsung Smart Care installée sur votre smartphone.

### REMARQUE

Smart Care est optimisé pour les téléphones Samsung Galaxy et Apple iPhones. (Non compatible avec certains modèles).

Téléchargez l'application Samsung Smart Washer depuis Google Play Store ou depuis Apple App Store (mot-clé de recherche : « **Samsung Smart Washer/Dryer** ») et installez-la sur votre smartphone.

Si un code d'information apparaît sur le sèche-linge, suivez ces étapes :

1. Maintenez simultanément enfoncés **Time (Temps)** et **Damp Alert (Alerte d'humidité)** pendant 3 secondes pour activer la fonction Smart Care.  
✳ Modèles DV22N680\*H\* : Appuyez et maintenez le bouton **Drum Light (Éclairage du tambour)**.
2. Ouvrez l'application Smart Care sur votre smartphone.
3. Mettez l'appareil photo du smartphone proche de l'écran du sèche-linge. L'application reconnaît automatiquement le code d'information et affiche des suggestions sur votre smartphone.
4. Si le smartphone ne parvient pas à reconnaître le code d'information à plus de deux reprises, saisissez le code d'information manuellement dans l'application Smart Care.

### ATTENTION

- Si de la lumière se reflète sur l'écran du sèche-linge, le smartphone peut ne pas reconnaître le code d'information.
- Si vous tenez le smartphone à un certain angle par rapport à l'écran du sèche-linge, votre smartphone peut ne pas reconnaître le code d'information. Pour de meilleurs résultats, maintenez le smartphone de sorte que l'avant du panneau et le smartphone soient parallèles ou quasiment.
- Après avoir utilisé cette fonction, le sèche-linge supprimera l'enregistrement du code d'information dans son journal de codes.

# Opérations

## SmartThings

※ Le modèle DV22N685\*H\* est le seul disponible pour « SmartThings ».

### Connexion Wi-Fi

Sur votre smartphone, accédez aux **Paramètres** et allumez la connexion sans fil et sélectionnez un AP (Point d'accès).

#### REMARQUE

- Cet appareil est conçu uniquement pour usage domestique (classe B) et peut être utilisé dans toutes les zones résidentielles.
- Cet appareil peut provoquer des interférences sans fil, et ni le fabricant ni l'installateur de cet appareil ne peuvent fournir une mesure de sécurité de quelque nature que ce soit.
- Les méthodes de cryptage recommandées sont WPA/TKIP et WPA2/AES. Les protocoles Wi-Fi nouvellement développés ou les protocoles Wi-Fi non approuvés ne sont pas pris en charge.
- La sensibilité à la réception d'un réseau sans fil peut être affectée par les environnements sans fil qui l'entourent.
- Si votre fournisseur d'accès Internet a enregistré l'adresse MAC de votre PC ou le module modem pour une utilisation permanente, votre sèche-linge Samsung ne parvient pas à se connecter à Internet. Si tel est le cas, contactez votre fournisseur d'accès Internet.
- Le pare-feu Internet peut interrompre votre connexion Internet. Si cela se produit, contactez votre fournisseur d'accès Internet.
- Si la panne d'Internet se poursuit après avoir suivi les recommandations de votre fournisseur d'accès Internet, contactez un détaillant ou un centre de service Samsung local.
- Pour installer des routeurs câblés et sans fil, reportez-vous au mode d'emploi du routeur que vous utilisez.
- Le sèche-linge Samsung prend en charge les protocoles Wi-Fi 2,4 GHz.
- Le sèche-linge Samsung prend en charge les protocoles IEEE802.11 b/g/n (2,4 GHz), Soft-AP. (IEEE802.11n est recommandé)
- Un routeur câblé/sans fil non approuvé peut ne pas se connecter au sèche-linge.

### Téléchargement

Sur un marché d'applications (Google Play Store, Apple App Store, Samsung Galaxy Apps), trouvez l'application SmartThings avec un terme de recherche de « SmartThings ». Téléchargez et installez l'application sur votre appareil.

#### REMARQUE

- L'application SmartThings est disponible sur les appareils tiers avec Android OS 6.0 (Marshmallow) ou supérieur, les appareils Samsung avec Android OS 5.0 (Lollipop) ou supérieur et les périphériques iOS avec iOS 10.0 ou supérieur (Pour les iPhones, il doit s'agir de l'iPhone 6 ou supérieur). L'application est optimisée pour les smartphones Samsung (Galaxy S et Note Series).
- Certaines fonctions de l'application peuvent fonctionner différemment sur des dispositifs tiers.
- L'application est susceptible d'être modifiée sans préavis pour des performances améliorées.

## S'identifier

Vous devez d'abord vous connecter à SmartThings avec votre compte Samsung. Pour créer un nouveau compte Samsung, suivez les instructions sur l'application. Vous n'avez pas besoin d'une application distincte pour créer votre compte.

### REMARQUE

Si vous possédez un compte Samsung, utilisez le compte pour vous connecter. Un utilisateur enregistré de smartphone Samsung se connecte automatiquement.

## Pour enregistrer votre appareil sur SmartThings

1. Assurez-vous que votre smartphone est connecté à un réseau sans fil. Dans le cas contraire, allez aux **Settings (Paramètres)** et allumez la connexion sans fil et sélectionnez un AP (Point d'accès).
2. Sélectionnez pour exécuter **SmartThings** sur votre smartphone.
3. Lorsqu'un message "A new device is found." (« Un nouveau dispositif est trouvé ») s'affiche, sélectionnez **Add (Ajouter)**.
4. Si aucun message ne s'affiche, sélectionnez + et sélectionnez votre sèche-linge dans une liste de dispositifs disponibles. Si votre sèche-linge n'est pas répertorié, sélectionnez **Device Type (Type de dispositif) > Specific Device Model (Modèle de dispositif spécifique)**, puis ajoutez votre sèche-linge manuellement.
5. Enregistrez votre sèche-linge sur l'application SmartThings comme suit.
  - a. Connectez-vous à SmartThings avec votre compte Samsung.
  - b. Activez une connexion Wi-Fi.
  - c. Ajoutez votre sèche-linge à SmartThings. Assurez-vous que votre sèche-linge est connecté à SmartThings.
  - d. Une fois l'enregistrement terminé, votre sèche-linge apparaît sur votre smartphone.

## Application Dryer (Sèche-linge)

Contrôle intégré : Vous pouvez surveiller et contrôler votre sèche-linge à la fois à la maison et en déplacement.

- Sélectionnez l'icône sèche-linge sur SmartThings. La page sèche-linge apparaît.
- Vérifiez le statut de l'opération ou les notifications relatives à votre sèche-linge et modifiez les options ou les paramètres si nécessaire.

# Opérations

## SmartThings

Catégorie	Point de contrôle	Description
Surveillance	Statut de séchage	Vous pouvez vérifier le cycle actuel et ses options et le temps de cycle restant.
	Smart Control	Le statut Smart Control est affiché pour le sèche-linge.
	Contrôle automatique	Utilisez ceci pour vérifier si le sèche-linge fonctionne normalement.
	Contrôleur d'énergie	Utilisez ceci pour surveiller l'état de consommation d'énergie.
Contrôle	Départ/Pause/Annuler	Sélectionnez un programme et les options nécessaires, puis sélectionnez Départ/Pause/Annuler pour démarrer une opération, arrêter temporairement ou annuler l'opération en cours.
	Mes Favoris	Ajoutez les programmes et les options fréquemment utilisés à Mes favoris pour une utilisation ultérieure.
Notification	Programme terminé	Vous avertit que le programme actuel est terminé.
	Linge restant (uniquement modèles applicables)	Vous informe du linge restant après la fin d'un programme.



Catégorie	Point de contrôle	Description
Q-Rator	Menu de lessive *	Vous pouvez choisir le type de tissu, le niveau de séchage et prévenir le froissement pour obtenir les options recommandées et des cycles de séchage que vous pouvez appliquer immédiatement.
	Planificateur de lessive *	Vous pouvez paramétrer la durée que vous souhaitez pour un cycle de séchage. Une fois que vous avez réglé l'heure voulue, le cycle recommandé se terminera à l'heure que vous avez réglée, et vous pouvez démarrer ou réserver le cycle recommandé.
	Assistant HomeCare *	Il fournit un rapport régulier avec une analyse de l'état de fonctionnement de la machine dans une fréquence définie par l'utilisateur (chaque semaine/mois). Vous pouvez utiliser ce rapport standard pour vérifier votre modèle d'utilisation, les besoins de maintenance et la consommation d'énergie ** pour la période définie.
	* Nécessite 'SmartThings', disponible sur Android et iOS. Enregistrement requis. ** Résultats indicatifs uniquement.	

# Opérations

---

## Déclaration de logiciel open source

Le logiciel inclus dans cet appareil contient un logiciel de source libre (open source). Vous pouvez vous procurer le code source complet correspondant pendant une période de trois ans après la dernière expédition de cet appareil, en envoyant un e-mail à l'adresse <mailto:oss.request@samsung.com>.

Il est également possible d'obtenir le code source complet correspondant sur un support physique, tel qu'un CD-ROM ; des frais minimum seront facturés.

L'URL suivante [http://opensource.samsung.com/opensource/SMART\\_AT\\_051/seq/0](http://opensource.samsung.com/opensource/SMART_AT_051/seq/0) vous donne accès à la page de téléchargement du code source mis à votre disposition, ainsi qu'aux informations sur la licence de source libre (open source) relative à cet appareil. Cette offre est valable pour toute personne ayant reçu ces informations.



## REMARQUE

Par la présente, Samsung Electronics déclare que l'appareil de type équipement radio est conforme à la directive 2014/53/UE. Le texte intégral de la déclaration de conformité de l'UE est disponible à l'adresse Internet suivante : La déclaration officielle de conformité se trouve à <http://www.samsung.com>, accédez à Support (Assistance) > Search Product Support (Recherche assistance produit) et saisissez le nom du modèle. Puissance maximale de l'émetteur Wi-Fi : 20 dBm à 2,412 GHz - 2,472 GHz

# Maintenance

---

## **AVERTISSEMENT**

- Ne nettoyez pas le sèche-linge en pulvérisant directement de l'eau dessus.
- Ne le nettoyez pas en utilisant du benzène, du diluant, de l'alcool ou de l'acétone. Cela pourrait entraîner une décoloration, une déformation, des dommages, une électrocution ou un incendie.
- Avant de nettoyer le sèche-linge, veillez à débrancher le cordon d'alimentation.
- La mise à la terre de certaines pièces internes n'a volontairement pas été effectuée; ces éléments peuvent donc présenter un risque d'électrocution (lors de l'entretien uniquement). Technicien de maintenance - Ne touchez pas les pièces suivantes lorsque l'appareil est sous tension: Panneau de commande, Moteur, Pompe de vidange.

## **Panneau de commande**

---

- Nettoyez-le avec un chiffon doux et humide. N'utilisez pas de produits abrasifs.
- Ne vaporisez pas d'agents de nettoyage liquides directement sur l'écran du sèche-linge.
- Certains détachants pour tissu peuvent endommager le panneau de commande.
- Lors de l'utilisation d'agents de nettoyage liquides, appliquez-les sur le chiffon de nettoyage. Ne les appliquez pas directement sur le sèche-linge. Essayez immédiatement toute éclaboussure ou vaporisation en excès.

## **Tambour**

---

- Enlevez les tâches sur le tambour avec un détachant universel.
- Frottez ensuite avec une vieille serviette ou un chiffon, pour retirer toute tâche restante ou substance de nettoyage. Les taches peuvent être encore visibles, mais n'affecteront pas les charges suivantes.

## **Tambour en acier inoxydable**

---

Pour nettoyer un tambour en acier inoxydable, utilisez un chiffon humide imprégné d'un nettoyeur doux et non abrasif adapté aux surfaces facilement marquées. Retirez les résidus de détergent et essuyez avec un chiffon propre.

## **Extérieur du sèche-linge**

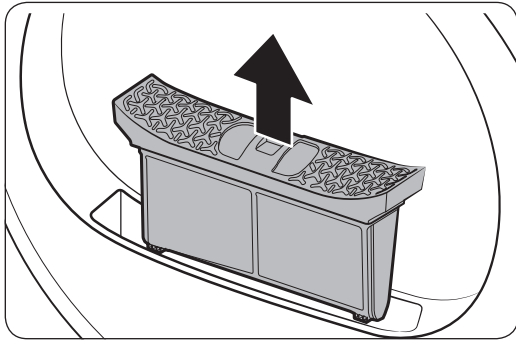
---

- Nettoyez-le avec un chiffon doux et humide. N'utilisez pas de produits abrasifs.
- Protégez la surface des objets pointus.
- N'entrez pas d'objets lourds (ex. : baril de lessive) ou à arêtes tranchantes sur le sèche-linge. Ceci risquerait de rayer ou d'endommager le capot supérieur du sèche-linge.
- L'habillage de l'ensemble du sèche-linge est lisse et brillant. Faites attention à ne pas rayer ou endommager la surface.

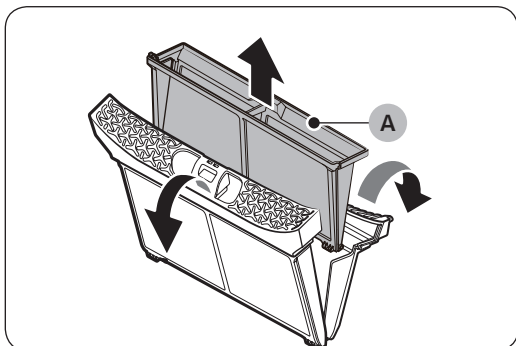
# Maintenance

## Filtre à peluches

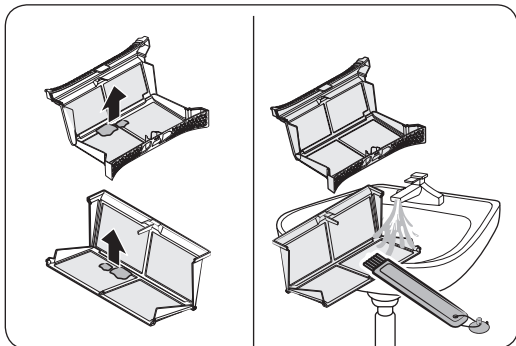
Nettoyez le filtre à peluches après chaque cycle.



1. Ouvrez le hublot et tirez le filtre à peluches vers le haut pour le retirer.



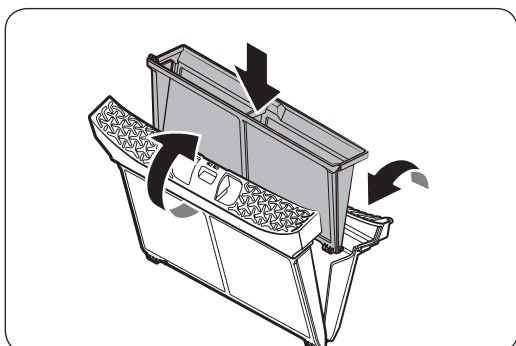
2. Ouvrez le filtre extérieur et retirez le filtre intérieur (A).



3. Dépliez à la fois les filtres intérieur et extérieur.
4. Retirez les peluches présentes sur les deux filtres, puis nettoyez les filtres à l'aide de la brosse de nettoyage.

### REMARQUE

Pour nettoyer les filtres en profondeur, nettoyez-les à l'eau courant, puis faites-les sécher complètement.



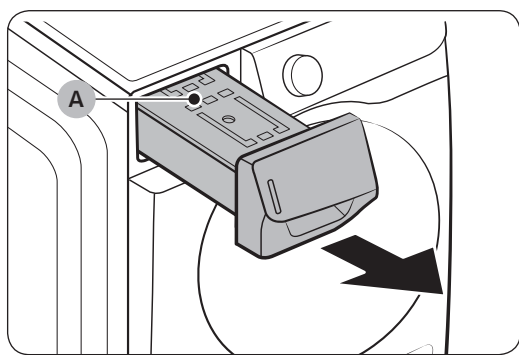
5. Placez le filtre intérieur dans le filtre extérieur, puis réinsérer le filtre à peluches dans sa position d'origine.

### ⚠ ATTENTION

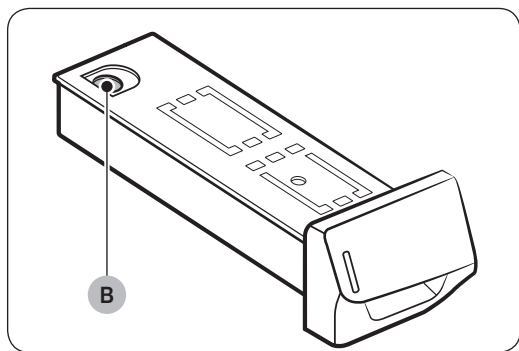
- Nettoyez le filtre à peluches après chaque cycle. Si vous ne le faites pas, les performances de séchage risquent de se dégrader.
- Ne faites pas fonctionner le sèche-linge si le filtre intérieur n'est pas inséré dans le filtre extérieur.
- Utiliser le sèche-linge avec un filtre à peluches mouillé peut provoquer des moisissures, des mauvaises odeurs ou une baisse des performances de séchage.

## Réservoir d'eau

Pour éviter toute fuite, videz le réservoir d'eau après chaque cycle.



1. Avec vos deux mains, tirez le **réservoir d'eau (A)** en avant pour le retirer.



2. Videz l'eau via l'**orifice de vidange (B)**, puis remettez le réservoir d'eau en place.

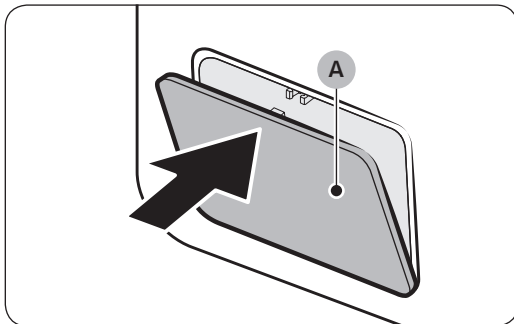
### 📄 REMARQUE

Si vous videz le réservoir d'eau et que vous appuyez sur le bouton **Départ/Pause (Hold to Start (Maintenir enfoncé pour commencer))**, le témoin correspondant s'éteint.

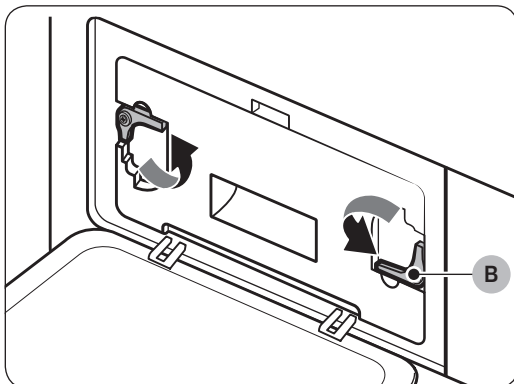
# Maintenance

## Échangeur de chaleur

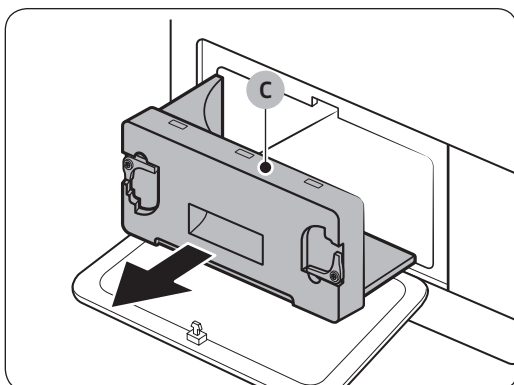
Nettoyez l'échangeur de chaleur au moins une fois par mois. Pour rappel, le témoin de l'échangeur de chaleur (☞) s'allume sur l'écran lorsque l'échangeur de chaleur doit être nettoyé.



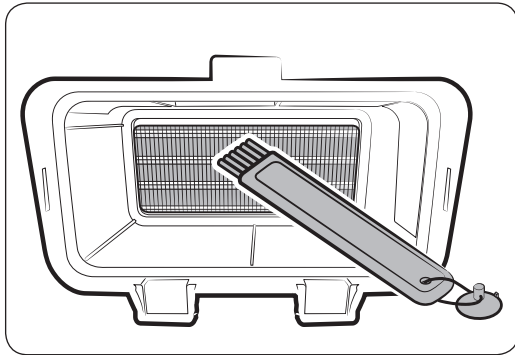
1. Appuyez doucement sur la zone supérieure du **cache extérieur (A)** pour l'ouvrir.



2. Déverrouillez les **fixations (B)**.



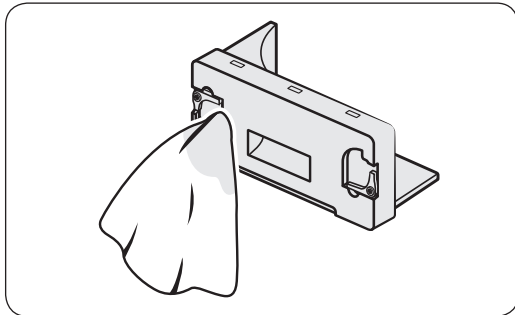
3. Retirez le **cache intérieur (C)**.



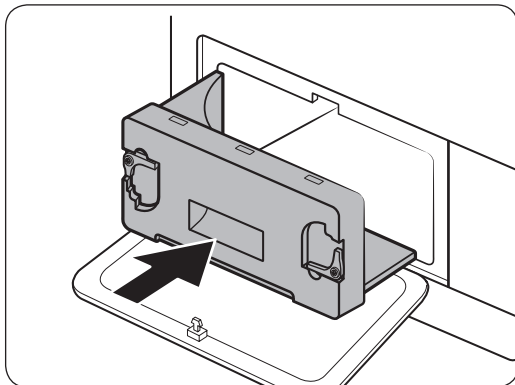
4. Nettoyez l'échangeur de chaleur à l'aide de la brosse de nettoyage fournie ou d'un aspirateur équipé d'un accessoire brosse. Veillez à ne pas plier ou endommager les ailettes de l'échangeur de chaleur lors du nettoyage. Cela risquerait de réduire les performances de séchage.

**⚠ ATTENTION**

- Afin d'éviter de vous blesser ou de vous brûler, ne touchez pas et ne nettoyez pas l'échangeur de chaleur à mains nues.
- N'utilisez pas d'eau pour nettoyer l'échangeur de chaleur.



5. Nettoyez le cache intérieur à l'aide d'un chiffon doux et humide.



6. Réinsérez le cache intérieur dans sa position d'origine, puis verrouillez les fixations.

7. Fermez le cache extérieur.

**📄 REMARQUE**

Une fois le nettoyage terminé, assurez-vous que les fixations sont verrouillées.

# Dépannage

## Contrôles à effectuer

Si le sèche-linge ne fonctionne pas normalement, vérifiez tout d'abord la liste des problèmes dans le tableau ci-dessous et essayez les solutions proposées.

Problème	Action
Ne fonctionne pas.	<ul style="list-style-type: none"><li>• Assurez-vous que le hublot est bien fermé.</li><li>• Vérifiez que le cordon d'alimentation est branché sur une prise électrique opérationnelle.</li><li>• Vérifiez le disjoncteur et les fusibles de votre domicile.</li><li>• Maintenez à nouveau enfoncé le bouton <b>Départ/Pause</b> (Hold to Start (Maintenir enfoncé pour commencer)) en cas d'ouverture du hublot en cours de cycle.</li><li>• Nettoyez le filtre à peluches.</li></ul>
Ne chauffe pas.	<ul style="list-style-type: none"><li>• Vérifiez le disjoncteur et les fusibles de votre domicile.</li><li>• Certains cycles ne nécessitent pas de chauffage. Vérifiez à nouveau le cycle sélectionné.</li><li>• Vérifiez le filtre à peluches et l'échangeur de chaleur.</li><li>• Nettoyez-les si nécessaire.</li><li>• Le sèche-linge est peut-être en phase de refroidissement du cycle.</li></ul>
Ne sèche pas.	<ul style="list-style-type: none"><li>• Vérifiez tous les points mentionnés ci-dessus, plus...</li><li>• Séchez le linge épais et le linge léger séparément.</li><li>• Il est parfois nécessaire de repositionner dans le sèche-linge les articles volumineux, comme les couvertures ou les couettes, pour assurer un séchage homogène.</li><li>• Vérifiez que votre sèche-linge essore correctement le linge et évacue la quantité d'eau adéquate.</li><li>• La charge de linge est peut-être insuffisante pour que l'action du tambour soit efficace. Ajoutez quelques serviettes et relancez le cycle.</li><li>• La charge de linge est peut-être trop importante pour que l'action du tambour soit efficace. Retirez du linge et relancez le sèche-linge.</li><li>• Nettoyez le filtre à peluches et l'échangeur de chaleur.</li></ul>
Fait du bruit.	<ul style="list-style-type: none"><li>• Vérifiez le linge à la recherche de pièces de monnaie, de boutons décousus, de clous, etc. Retirez aussitôt ces objets.</li><li>• Vérifiez que le sèche-linge est correctement mis à niveau, comme indiqué dans les consignes d'installation.</li><li>• Il est normal que le sèche-linge émette un « bourdonnement », du fait de la grande vitesse de déplacement de l'air à travers le tambour du sèche-linge, le ventilateur ou le système de vidange d'eau.</li></ul>



Problème	Action
Ne sèche pas le linge uniformément.	<ul style="list-style-type: none"> <li>Les coutures, les poches et les autres zones épaisses peuvent ne pas sécher complètement alors que le reste du linge a atteint le niveau de séchage sélectionné. Ceci est tout à fait normal. Vous pouvez choisir un niveau de séchage plus haut ou un cycle impliquant un plus haut niveau de séchage.</li> <li>Si vous faites sécher un article épais avec une charge légère, par exemple une serviette de toilette avec des draps, il est possible que l'article le plus lourd ne soit pas complètement sec quand le reste du linge atteindra le niveau de séchage sélectionné.</li> <li>Pour de meilleurs résultats de séchage, séchez le linge épais et le linge léger séparément.</li> </ul>
Les vêtements sont pelucheux.	<ul style="list-style-type: none"> <li>Assurez-vous que le filtre est propre avant chaque cycle. Pour les vêtements accumulant naturellement des peluches, nettoyez le filtre durant le cycle.</li> <li>Certains textiles produisent une grande quantité de peluches (ex. : serviettes en coton). C'est pourquoi ces articles doivent être séchés séparément des textiles qui attirent les peluches (ex. : pantalon en velours).</li> <li>Si la quantité de linge est trop importante, répartissez la charge en plusieurs lots pour le séchage.</li> <li>Vérifiez soigneusement les poches des vêtements avant de les sécher.</li> <li>Retirez les peluches à l'intérieur du tambour avant le séchage.</li> </ul>
Les articles sont encore froissés après le cycle WRINKLE RELEASE (DÉFROISSAGE).	<ul style="list-style-type: none"> <li>Chargez entre 1 et 4 articles pour plus d'efficacité.</li> <li>Allégez la charge. Faites sécher des articles similaires.</li> </ul>
Durée prolongée.	<ul style="list-style-type: none"> <li>La fonction Sensor Dry (Séchage à capteur) calcule automatiquement le taux d'humidité du linge et arrête le sèche-linge une fois le degré souhaité de séchage (Séchage fort à Légèrement humide) atteint. La durée de séchage peut varier en fonction du type et de la quantité de linge. Consultez le tableau des cycles pour référence.</li> </ul>

Si un problème persiste, contactez un service de service Samsung local.

# Dépannage

## Codes d'erreur

Si le sèche-linge ne parvient pas à fonctionner, vous pouvez voir un code d'information affiché à l'écran d'affichage. Pour déterminer ce que vous devez faire, vérifiez la liste de codes figurant dans le tableau ci-dessous, puis essayez les actions suggérées.

Code		Action
tC	Problème avec le capteur de température de l'air	Nettoyez le filtre à peluches et/ou l'échangeur de chaleur. Si le problème persiste, appelez le centre de dépannage.
tC5	Problème avec le capteur de température du compresseur	Attendez 2 à 3 minutes. Mettez l'appareil sous tension et redémarrez-le.
dC	Faire fonctionner le sèche-linge lorsque le hublot est ouvert	Fermez la porte et redémarrez l'appareil. Si le problème persiste, appelez le centre de dépannage.
HC	Surchauffe du compresseur	Appelez le service de dépannage.
5C	Réservoir d'eau plein La pompe de vidange est hors service	Videz le réservoir d'eau, mettez l'appareil sous tension et redémarrez-le. Si le problème persiste, appelez le centre de dépannage.
AC6	Vérifiez les communications entre les cartes de circuit imprimé principale et de l'onduleur.	<ul style="list-style-type: none"><li>• En fonction de l'état, le sèche-linge peut revenir automatiquement en fonctionnement normal.</li><li>• Éteignez le sèche-linge et rallumez-le. Ensuite, relancez le cycle.</li><li>• Si le code d'information continue d'apparaître, appelez le centre de dépannage.</li></ul>
3C	Vérifiez le fonctionnement du moteur.	<ul style="list-style-type: none"><li>• Essayez de relancer le cycle.</li><li>• Si le code d'information continue d'apparaître, appelez le centre de dépannage.</li></ul>





Si un code d'information demeure affiché sur l'écran, contactez un centre de service Samsung.

# Caractéristiques techniques

## Tableau des symboles textiles

Les symboles suivants fournissent des conseils d'entretien des vêtements. Les étiquettes d'entretien des vêtements incluent des symboles relatifs au séchage, au blanchiment, au repassage et au nettoyage à sec. L'utilisation de ces symboles garantit la cohérence des informations entre les fabricants de vêtements (articles domestiques ou importés). Suivez les instructions sur l'étiquette d'entretien afin d'optimiser la durée de vie de votre linge et d'éviter des problèmes au lavage.

### Cycle de lavage

	Normal
	Infroissable / Anti-froissage
	Délicat
	Lavage main




### Température de l'eau

...	Chaud
..	Tiède
.	Froide



### REMARQUE

Le tableau Température de l'eau répertorie les températures appropriées de l'eau de lavage pour divers articles. La plage de températures est comprise entre 41 et 52 °C (106 et 126 °F) pour Chaude, entre 29 et 41 °C (84 et 106 °F) pour Tiède et entre 16 et 29 °C (61 et 84 °F) pour Froide. (La température de l'eau de lavage doit être d'au moins 61 °F (16 °C) pour activer les agents nettoyants et obtenir un lavage efficace.)




### Agent de blanchiment

	Tout type (si nécessaire)
	Agent de blanchiment non chloré (non décolorant) uniquement (si nécessaire)
	Séchage en machine






### Normal

	Infroissable / Anti-froissage
	Délicat

### Consignes spéciales

	Séchage sur corde/en suspension
	Séchage sans essorage
	Séchage à plat

### Température






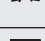
	Élevée
	Moyenne
	Basse
	Toutes températures
	Sans chaleur/À l'air libre

# Caractéristiques techniques




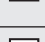

## Températures de repassage facile ou vapeur

	Élevée
	Moyenne
	Basse

## Symboles d'avertissement pour le lavage

	Ne pas laver
	Ne pas tordre
	Pas de chlorage
	Séchage en machine interdit
	Pas de vapeur (ajoutée au fer à repasser)
	Pas de repassage

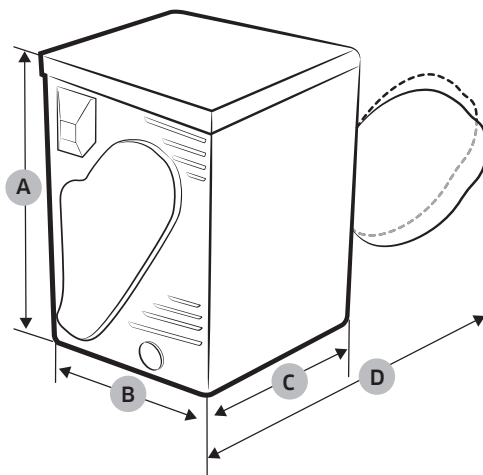
## Nettoyage à sec

	Nettoyage à sec
	Pas de nettoyage à sec
	Séchage sur corde/en suspension
	Séchage sans essorage
	Séchage à plat

## Protection de l'environnement

Cet appareil a été fabriqué à partir de matériaux recyclables. Si vous décidez de le jeter, veuillez respecter les normes locales en matière d'évacuation des déchets. Coupez le cordon d'alimentation de façon à ce que l'appareil ne puisse pas être raccordé à une source électrique. Enlevez le hublot pour que des animaux et des jeunes enfants ne se retrouvent pas piégés à l'intérieur de l'appareil.

## Fiche de spécifications



Type		Sèche-linge à chargement frontal
Dimensions	A. Hauteur	33,5" (850 mm)
	B. Largeur	23,6" (600 mm)
	C. Profondeur	25,6" (650 mm)
	D. Profondeur avec hublot ouvert à 90°	44,3" (1125 mm)
Poids net		110 lb (50 kg)
Normes électriques	240 V / 60 Hz	800 W
Température Autorisée		5 - 35 °C

# Caractéristiques techniques

## Tableau des cycles

### REMARQUE

Pour un résultat optimal, respectez ces recommandations de volume de charge pour chaque cycle de séchage.

- Charge importante : Remplissez le tambour aux 3/4 environ. Au-delà de cette limite, n'ajoutez pas d'articles supplémentaires afin que le linge tourne librement.
- ◐ Charge moyenne : Remplissez le tambour à la moitié environ.
- Petite charge : Remplissez le tambour de 3 à 5 articles (pas plus du 1/4).

Cycle		Articles recommandés	Volume de charge	Dry Level (Niveau de séchage)
Sensor Dry (Séchage à capteur)	NORMAL	Coton, vêtements de travail, lin, charges mixtes	●	Séchage normal (réglable)
	MIXED LOAD (CHARGE MIXTE) (DV22N685*H*)	Charges mixtes contenant du coton et des tissus synthétiques.	◐	Séchage normal (réglable)
	HEAVY DUTY (GRAND RENDEMENT)	Pièces au tissu épais, telles que les jeans, les velours côtelés ou les vêtements de travail	●	Séchage normal (réglable)
	SMALL LOAD (PETITE CHARGE) (DV22N685*H*)	Utile pour sécher rapidement un petit volume d'habits (Charge maximale : 3 livres)	◐	Séchage normal (réglable)
	SHIRTS (CHEMISES)	Chemises ou blouses à base de fibres synthétiques ou de mélange de tissu.	◐	Séchage normal (réglable)
	ACTIVE WEAR (VÊTEMENTS DE SPORT)	Vêtements imperméables, habits de scène, de sport	◐	Séchage normal (aucun changement)
	TOWELS (SERVIETTES)	Serviettes et linge de bain	●	Séchage normal (réglable)
	PERM PRESS (INFROISSABLES)	Chemises, tissus synthétiques, lainages, tissus infroissables en coton, tissus infroissables	◐	Séchage normal (réglable)
	DELICATES (DÉLICAT)	Sous-vêtements, chemisiers, lingerie	◐	Séchage normal (réglable)
	WOOL (LAINE)	Lainages lavable en machine et séchables en sèche-linge uniquement. (Charge maximale : 3 livres)	◐	Séchage normal (aucun changement)
Manual Dry (Séchage manuel)	40' EXPRESS (EXPRESS 40')	Petites charges	◐	-
	TIME DRY (SÉCHAGE À MINUTERIE)	Toute charge	●	-
	AIR FLUFF (FLUX D'AIR)	Mousse, caoutchouc, matières plastiques	◐	-
	REFRESH (RAFRAÎCHISSEMENT)	Chemises, pantalons, oreillers	◐	-

## REMARQUE

- : réglage usine, ● : peut être sélectionné

Cycle		Paramétrage du niveau de séchage		
		More (Fort)	Normal	Less (Faible)
Sensor Dry (Séchage à capteur)	NORMAL	●	●	●
	MIXED LOAD (CHARGE MIXTE) (DV22N685*H*)	●	●	●
	HEAVY DUTY (GRAND RENDEMENT)	●	●	●
	SMALL LOAD (PETITE CHARGE) (DV22N685*H*)	●	●	●
	SHIRTS (CHEMISES)	●	●	●
	ACTIVE WEAR (VÊTEMENTS DE SPORT)	-	●	-
	TOWELS (SERVIETTES)	●	●	●
	PERM PRESS (INFROISSABLES)	●	●	●
	DELICATES (DÉLICAT)	●	●	●
Manual Dry (Séchage manuel)	WOOL (LAINE)	-	-	●
	40' EXPRESS (EXPRESS 40')	-	-	-
	TIME DRY (SÉCHAGE À MINUTERIE)	-	-	-
	AIR FLUFF (FLUX D'AIR)	-	-	-
	REFRESH (RAFRAÎCHISSEMENT)	-	-	-

Cycle		Damp Alert (Alerte d'humidité)	Wrinkle Prevent (Anti-froissage)	Adjust Time (Réglage du temps)
Sensor Dry (Séchage à capteur)	NORMAL	●	●	-
	MIXED LOAD (CHARGE MIXTE) (DV22N685*H*)	●	●	-
	HEAVY DUTY (GRAND RENDEMENT)	●	●	-
	SMALL LOAD (PETITE CHARGE) (DV22N685*H*)	●	●	-
	SHIRTS (CHEMISES)	●	●	-
	ACTIVE WEAR (VÊTEMENTS DE SPORT)	-	●	-
	TOWELS (SERVIETTES)	●	●	-
	PERM PRESS (INFROISSABLES)	●	●	-
	DELICATES (DÉLICAT)	●	●	-
Manual Dry (Séchage manuel)	WOOL (LAINE)	-	●	-
	40' EXPRESS (EXPRESS 40')	-	●	●
	TIME DRY (SÉCHAGE À MINUTERIE)	-	●	●
	AIR FLUFF (FLUX D'AIR)	-	●	●
	REFRESH (RAFRAÎCHISSEMENT)	-	●	●

# Avis réglementaire

---

## Avis concernant la FCC

---

### ATTENTION

Tous les changements ou modifications non expressément approuvé(e)s par l'autorité responsable de la conformité à la réglementation peut annuler le droit de l'utilisateur à utiliser cet appareil.

Cet appareil est conforme aux dispositions de la section 15 du règlement de la FCC. Le fonctionnement est soumis aux deux conditions suivantes :

1. Cet appareil ne doit pas causer d'interférences nuisibles ; et
2. Cet appareil doit accepter toute autre interférence reçue, y compris les interférences pouvant entraîner un fonctionnement non désiré.

Pour les appareils disponibles sur le marché américain/canadien, seuls les canaux 1 à 11 peuvent être utilisés. La sélection des autres canaux est impossible.

### DÉCLARATION DE LA FCC :

Cet équipement a été testé et s'est avéré conforme aux limites d'un dispositif numérique de classe B, conformément à la section 15 du règlement de la FCC. Ces limites sont conçues pour assurer la protection raisonnable contre des interférences nuisibles dans une installation résidentielle.

Cet appareil génère, utilise et peut émettre de l'énergie radio électrique et, s'il n'est pas installé et utilisé conformément aux instructions, peut provoquer des interférences nuisibles aux communications par signal radio. Cependant, il n'y a aucune garantie que des interférences ne se produiront pas dans une installation particulière. Si cet appareil cause des interférences nuisibles à la réception des signaux de radio ou de télévision, ce qui peut être déterminé en allumant et en éteignant l'appareil, l'utilisateur est encouragé à essayer de corriger l'interférence par une ou plusieurs des mesures suivantes :

- Réorienter ou déplacer l'antenne de réception
- Espacer davantage l'appareil du récepteur
- Connecter l'équipement dans une prise sur un circuit différent de celui auquel le récepteur est connecté
- Consulter le revendeur ou un technicien expérimenté en radio/télévision pour obtenir de l'aide.

### DÉCLARATION DE LA FCC SUR L'EXPOSITION AUX RADIATIONS :

Cet appareil est conforme aux limitations prévues par la FCC pour l'exposition aux radiations dans le cadre d'un environnement d'accès libre. Cet appareil doit être installé et utilisé avec une distance minimale de 20 cm entre le radiateur et votre corps. Ce dispositif et son(s) antenne(s) ne doivent pas être coimplantés ni utilisés à proximité d'une autre antenne ou émetteur.



---

## Notification IC

---

Le terme « IC » précédant le numéro d'homologation radio signifie uniquement que les spécifications techniques de l'Industrie Canada ont été atteintes. Le fonctionnement est soumis aux deux conditions suivantes :

1. Cet appareil ne doit pas causer d'interférences ; et
2. Cet appareil doit accepter toute autre interférence, y compris les interférences pouvant entraîner un fonctionnement non désiré de l'appareil.

Cet appareil numérique de la classe B est conforme à la norme NMB-003 du Canada.

Pour les appareils disponibles sur le marché américain/canadien, seuls les canaux 1-11 peuvent être utilisés. La sélection des autres canaux est impossible.

### DÉCLARATION IC SUR L'EXPOSITION AUX RADIATIONS :

Cet appareil est conforme aux limitations prévues par la norme IC RSS-102 pour l'exposition aux radiations dans le cadre d'un environnement d'accès libre. Cet appareil doit être installé et utilisé avec une distance minimale de 20 cm entre le radiateur et votre corps. Ce dispositif et son(s) antenne(s) ne doivent pas être coimplantés ni utilisés à proximité d'une autre antenne ou émetteur.

---

## Notification de licence de source libre

---

Le logiciel inclus dans cet appareil contient un logiciel de source libre (open source). Vous pouvez vous procurer le code source complet correspondant pendant une période de trois ans après la dernière expédition de cet appareil, en envoyant un e-mail à l'adresse <mailto:oss.request@samsung.com>.

Il est également possible d'obtenir le code source complet correspondant sur un support physique, tel qu'un CD-ROM ; des frais minimum seront facturés.

L'URL suivante [http://opensource.samsung.com/opensource/SMART\\_AT\\_051/seq/0](http://opensource.samsung.com/opensource/SMART_AT_051/seq/0) vous donne accès à la page de téléchargement du code source mis à votre disposition, ainsi qu'aux informations sur la licence de source libre (open source) relative à cet appareil. Cette offre est valable pour toute personne ayant reçu ces informations.



# Garantie (États-Unis)

---

## SÈCHE-LINGE SAMSUNG

---

### **GARANTIE LIMITÉE POUR L'ACHETEUR INITIAL AVEC PREUVE D'ACHAT**

Ce produit de la marque SAMSUNG, fourni, distribué par SAMSUNG ELECTRONICS AMERICA, INC. (SAMSUNG) et livré neuf à l'acheteur-consommateur initial, dans son emballage d'origine, s'accompagne d'une garantie de SAMSUNG contre tout vice de fabrication au niveau des pièces et de la main d'œuvre pendant une période limitée, commençant à la date d'achat initiale, de :

Un (1) an (pièces et main d'œuvre)

Cette garantie limitée ne s'applique qu'aux appareils achetés et utilisés aux États-Unis qui ont été installés, utilisés et entretenus conformément aux instructions jointes ou fournies avec l'appareil. Pour bénéficier de réparations dans le cadre de la présente garantie, l'acheteur doit contacter la société SAMSUNG à l'adresse ou au numéro de téléphone indiqués ci-dessous, afin qu'elle détermine l'origine du problème et une procédure de réparation. Les services de garantie peuvent être pris en charge uniquement par un centre de service agréé SAMSUNG. Lors de la remise d'un produit défectueux à SAMSUNG ou à un centre de service agréé SAMSUNG, l'acheteur est tenu de présenter le coupon d'achat d'origine sur demande, à titre de preuve d'achat, pour pouvoir bénéficier des services de garantie.

SAMSUNG assurera gratuitement un service à domicile au sein des États-Unis contigus durant la période de garantie, sous réserve de disponibilité des techniciens agréés SAMSUNG au sein de la zone géographique du client. Si le service à domicile n'est pas disponible, SAMSUNG peut, à sa propre discrétion, choisir de prendre à sa charge le transport aller/retour du produit vers un centre de service agréé. Si l'appareil se trouve dans une zone où le service par un technicien agréé SAMSUNG n'est pas disponible, il se peut que vous deviez prendre en charge des frais de transport ou transporter l'appareil vers un centre de service agréé SAMSUNG pour le faire réparer.

Pour bénéficier du service à domicile, l'appareil doit être situé dans un emplacement accessible à notre personnel.

Durant la période de garantie applicable, un appareil sera réparé, remplacé ou son prix d'achat remboursé, à la seule discrétion de SAMSUNG. Il se peut que SAMSUNG utilise des pièces neuves ou reconditionnées pour réparer un appareil, ou remplace l'appareil par un produit neuf ou reconditionné. Les pièces et appareils de rechange sont garantis pendant la partie restante de la période de garantie initiale de l'appareil, ou bien durant quatre-vingt-dix (90) jours, selon la période qui est la plus longue. Toutes les pièces et tous les produits remplacés sont la propriété de SAMSUNG et vous devez les retourner à SAMSUNG.

---

La présente garantie limitée couvre les vices de fabrication au niveau des pièces et de la main d'œuvre identifiés dans le cadre de l'utilisation domestique ou non-commerciale normale de l'appareil en question. Elle ne peut pas couvrir les choses suivantes : les dommages survenus lors de l'expédition, la livraison, l'installation et les utilisation prévues de cet appareil ; les dommages causés par une modification ou altération non autorisée de l'appareil ; les appareils dont les numéros de série d'origine apposés en usine ont été retirés, dégradés ou modifiés d'une quelconque façon ou encore difficilement lisibles ; les dommages esthétiques notamment rayures, piqûres, éclats et autres dommages sur la finition de l'appareil ; les dommages causés par un abus, une mauvaise utilisation, des infestations d'insectes, un accident, un incendie, une inondation ou d'autres catastrophes naturelles ou cas de force majeure ; les dommages causés par l'utilisation d'équipements, d'alimentations, de services, de pièces, de fournitures, d'accessoires, d'applications, d'installations, de réparations, de câblages externes ou connecteurs qui n'ont pas été fournis ou autorisés par SAMSUNG ; les dommages causés par un courant, une tension ou des fluctuations de courant incorrects ou par des surtensions ; les dommages causés par une utilisation et un entretien de l'appareil non conformes aux instructions ; les dommages liés à une instruction fournie à domicile concernant l'utilisation de votre appareil ; et une réparation visant à rectifier une installation n'étant pas conforme aux normes de branchements électriques et de plomberie, ou la correction des branchements électriques ou de plomberie (c.-à-d. câblage du domicile, fusibles, ou tuyaux d'arrivée d'eau). Le coût des réparations ou du remplacement dans le cadre de ces circonstances faisant l'objet d'une exclusion sera à la charge du client.

Les interventions de techniciens de maintenance destinées à expliquer les fonctions, la maintenance ou l'installation ne sont pas couvertes par la garantie.

Veuillez prendre contact avec votre agent d'appel Samsung pour obtenir de l'aide sur l'une de ces questions.

### **EXCLUSION DES GARANTIES IMPLICITES**

LES GARANTIES IMPLICITES, Y COMPRIS LES GARANTIES IMPLICITES DE QUALITÉ MARCHANDE OU D'ADÉQUATION À UN USAGE PARTICULIER, SONT LIMITÉES À UN AN OU À LA PLUS COURTE PÉRIODE AUTORISÉE PAR LA LOI. Certains États n'autorisent pas les limitations de durée d'une garantie implicite ; il se peut donc que les limitations ou exclusions spécifiées ci-dessus ne s'appliquent pas à votre cas. La présente garantie vous octroie des droits spécifiques. Il se peut que vous en ayez d'autres ; cela varie d'un État à un autre.

# Garantie (États-Unis)

---

## LIMITE DE RECOURS

VOTRE SEUL RECOURS EXCLUSIF EST UNE RÉPARATION DE L'APPAREIL, UN REMPLACEMENT DE L'APPAREIL OU UN REMBOURSEMENT DU PRIX D'ACHAT, À LA DISCRÉTION DE SAMSUNG, COMME ACCORDÉ DANS LE CADRE DE LA PRÉSENTE GARANTIE LIMITÉE. SAMSUNG NE POURRA ÊTRE TENUE RESPONSABLE DES DOMMAGES PARTICULIERS, ACCESSOIRES OU IMMATÉRIELS, NOTAMMENT MAIS SANS POUR AUTANT S'Y LIMITER LES TEMPS DE TRAJET DEPUIS LE LIEU DE TRAVAIL, LES FRAIS D'HÔTEL ET/ REPAS EN RESTAURANT, LES DÉPENSES DE RÉNOVATION, LES PERTES DE REVENUS OU DE BÉNÉFICES, L'IMPOSSIBILITÉ DE RÉALISER DES ÉCONOMIES OU AUTRES BÉNÉFICES QUELLE QUE SOIT LA THÉORIE JURIDIQUE SUR LAQUELLE LA RÉCLAMATION EST BASÉE, ET CE MÊME SI SAMSUNG A ÉTÉ AVERTI DE LA POSSIBILITÉ DE TELS DOMMAGES. Certains États n'autorisent pas les exclusions ou limitations relatives aux dommages accessoires ou immatériels ; il se peut donc que les limitations ou exclusions spécifiées ci-dessus ne s'appliquent pas à votre cas. La présente garantie vous octroie des droits spécifiques. Il se peut que vous en ayez d'autres ; cela varie d'un État à un autre.

SAMSUNG ne garantit pas que l'appareil sera exempt de tout problème ou qu'il fonctionnera sans interruption. Aucune garantie, donnée par toute autre personne, entreprise ou une société quant à cet appareil, ne pourra être considérée comme un engagement pour SAMSUNG.

Pour bénéficier du service d'assistance couvert par votre garantie, contactez SAMSUNG à l'adresse suivante :

**Samsung Electronics America, Inc.**

**85 Challenger Road**

**Ridgefield Park, NJ 07660**

**1-800-SAMSUNG (726-7864)**

**[www.samsung.com/us/support](http://www.samsung.com/us/support)**

# Garantie (CANADA)

---

## SÈCHE-LINGE SAMSUNG

---

### **GARANTIE LIMITÉE À L'ACHETEUR INITIAL**

Ce produit de la marque SAMSUNG, fourni, distribué par SAMSUNG ELECTRONICS CANADA, INC. (SAMSUNG) et livré neuf, s'accompagne d'une garantie de SAMSUNG contre tout vice de fabrication au niveau des pièces et de la main d'œuvre pendant une période limitée de :

- Un (1) an (pièces et main d'œuvre)

Cette limite de garantie s'applique à compter de la date d'acquisition et couvre uniquement les produits achetés et utilisés au Canada.

Pour bénéficier de réparations dans le cadre de la présente garantie, l'acheteur doit contacter la société SAMSUNG afin qu'elle détermine l'origine du problème et une procédure de réparation.

Les services de garantie peuvent être pris en charge uniquement par un centre de service agréé SAMSUNG.

Lors de la remise d'un produit défectueux à SAMSUNG ou à un centre de service agréé SAMSUNG, l'acheteur est tenu de présenter le coupon d'achat d'origine à la demande des intéressés à titre de preuve d'achat.

SAMSUNG assurera un service de réparation gratuit à domicile pendant la période de garantie sujet à la disponibilité au Canada.

Le service à domicile n'est pas disponible pour toutes les zones.

Pour bénéficier du service à domicile, l'appareil doit être situé dans un emplacement accessible à notre personnel.

Si ce service n'est pas disponible, SAMSUNG peut choisir de prendre à sa charge le transport aller/retour du produit vers un centre de service agréé.

La société SAMSUNG prendra en charge, à sa convenance, la réparation, le remplacement ou le remboursement du produit tel que stipulé dans les présentes conditions et procédera au remplacement ou au reconditionnement des pièces ou des produits si ces derniers s'avèrent défectueux dans la limite de la période de garantie mentionnée précédemment.

Toutes les pièces et tous les produits remplacés deviennent la propriété de SAMSUNG et doivent être retournés à SAMSUNG.

La période de garantie qui s'applique aux pièces et produits remplacés est la période restante de la garantie initiale ou une période de quatre-vingt-dix (90) jours ; dans tous les cas, la période la plus longue des deux périodes susmentionnées s'applique.

# Garantie (CANADA)

---

La garantie limitée couvre les vices de fabrication relatifs aux matériaux et à la qualité d'exécution survenus dans le cadre d'une utilisation normale et non commerciale du produit et ne s'applique pas aux causes suivantes, comprenant, mais ne se limitant pas à : tout dommage survenant au cours de l'expédition, de la livraison et de l'installation ; toute utilisation de l'appareil contraire au but auquel il était destiné ; tout numéro de produit ou de série effacé ; tout dommage du revêtement extérieur ou de l'aspect du produit ; tout dommage causé par un accident, une utilisation non conforme, une négligence, un incendie ou une inondation, la foudre ou une autre catastrophe naturelle ; toute utilisation de produits, d'équipements, de systèmes, d'appareils, de services, de pièces, de fournitures, d'accessoires, d'applications, d'installations, de réparations, de câblages externes ou de connecteurs non fournis ou autorisés par SAMSUNG et susceptibles d'endommager ledit appareil ou de nuire à son fonctionnement ; toute surtension, fluctuation ou tension de ligne électrique incorrecte ; tout réglage effectué par l'acheteur et tout non-respect des consignes d'utilisation, d'entretien et de respect de l'environnement couvertes ou prescrites dans le présent carnet d'entretien ; tout démontage ou toute réinstallation de l'appareil ; tout problème résultant d'une prolifération d'insectes nuisibles.

Cette garantie limitée ne couvre pas les problèmes résultant d'un courant, d'une tension ou d'une alimentation électrique incorrects, ainsi que d'ampoules électriques, de fusibles ou de câblage inappropriés. Elle ne couvre pas non plus le coût des appels au service d'assistance pour obtenir des instructions ou la réparation des erreurs d'installation. SAMSUNG ne garantit pas que l'appareil sera exempt de tout problème ou qu'il fonctionnera sans interruption.

SAUF EXCEPTION MENTIONNÉE DANS LE PRÉSENT DOCUMENT, SAMSUNG NE FOURNIT AUCUNE GARANTIE EXPRESSE OU IMPLICITE QUANT À CET APPAREIL, Y COMPRIS, MAIS SANS S'Y LIMITER, LES GARANTIES IMPLICITES DE QUALITÉ MARCHANDE, DE CONTREFAÇON OU D'APTITUDE À UN USAGE PARTICULIER.

AUCUNE GARANTIE, QU'ELLE SOIT DONNÉE PAR UN TIERS, UNE ENTREPRISE OU UNE PERSONNE MORALE, NE POURRA ÊTRE CONSIDÉRÉE COMME UN ENGAGEMENT VIS-À-VIS DE SAMSUNG.

SAMSUNG NE SERA AUCUNEMENT RESPONSABLE EN CAS DE PERTE DE BÉNÉFICES, DE MANQUE À GAGNER, D'INCAPACITÉ À RÉALISER DES ÉCONOMIES OU TOUT AUTRE AVANTAGE FINANCIER OU D'AUTRES DOMMAGES SPÉCIAUX, ACCESSOIRES OU INDIRECTS RÉSULTANT DE L'UTILISATION OU D'UNE MAUVAISE UTILISATION DE CET APPAREIL OU D'UNE INCAPACITÉ À UTILISER CET APPAREIL, QUELLE QUE SOIT LA BASE JURIDIQUE INVOQUÉE POUR JUSTIFIER L'ASSERTION ET MÊME SI SAMSUNG A ÉTÉ AVISÉ DE L'ÉVENTUALITÉ DE TELS DOMMAGES.

---

LES INDEMNITÉS FINANCIÈRES EXIGÉES AUPRÈS DE SAMSUNG NE POURRONT EN AUCUN CAS EXCÉDER LE PRIX D'ACHAT DU PRODUIT VENDU PAR SAMSUNG ET À L'ORIGINE DES DOMMAGES INVOQUÉS.

SANS LIMITATION AUX DISPOSITIONS SUSDITES, L'ACHETEUR ASSUME TOUS LES RISQUES ET TOUTES LES RESPONSABILITÉS EN CAS DE PERTE, DE DOMMAGES OU DE BLESSURES ÉVENTUELLES INFLIGÉS À L'ACHETEUR ET AUX BIENS DE CELUI-CI ET À TOUTE AUTRE PERSONNE ET AUX BIENS DE CELLE-CI RÉSULTANT DE L'UTILISATION OU DE LA MAUVAISE UTILISATION DE L'APPAREIL OU DE L'INCAPACITÉ À L'UTILISER. CETTE GARANTIE LIMITÉE N'EST VALABLE POUR PERSONNE D'AUTRE QUE L'ACHETEUR INITIAL DU PRODUIT, N'EST PAS TRANSFÉRABLE ET ÉNONCE VOTRE RECOURS EXCLUSIF.

Certaines provinces n'autorisent pas de limitations quant à la durée des garanties implicites ni l'exclusion ou la limitation de dommages accessoires ou indirects ; il se peut par conséquent que les limitations et exclusions énoncées ci-dessus ne s'appliquent pas à votre cas.

La présente garantie vous octroie des droits spécifiques, ainsi que d'autres variant d'une province à une autre.

Pour bénéficier d'un service d'assistance couvert par votre garantie, contactez SAMSUNG à l'adresse suivante :

**Samsung Electronics Canada Inc.**  
2050 Derry Road West,  
Mississauga, Ontario L5N 0B9 Canada  
1-800-SAMSUNG (726-7864)  
[www.samsung.com/ca/support](http://www.samsung.com/ca/support) (English)  
[www.samsung.com/ca\\_fr/support](http://www.samsung.com/ca_fr/support) (French)

Les visites des techniciens de maintenance destinées à expliquer les fonctions, la maintenance ou l'installation n'est pas couverte par la garantie.  
Veuillez contacter votre agent d'appel Samsung pour obtenir de l'aide sur l'une de ces questions.



Scan the QR code\* or visit  
[www.samsung.com/spsn](http://www.samsung.com/spsn)  
 to view our helpful  
 How-to Videos and Live Shows

\*Requires reader to be installed on your smartphone

Scan this with your smartphone

**QUESTIONS OU COMMENTAIRES ?**

PAYS	APPELEZ LE	OU RENDEZ-VOUS SUR LE SITE
U.S.A	1-800-SAMSUNG (726-7864) 1-844-SAM-PAYS (726-7297)	<a href="http://www.samsung.com/us/support">www.samsung.com/us/support</a>
CANADA	1-800-SAMSUNG (726-7864) 1-844-SAM-PAYS (726-7297)	<a href="http://www.samsung.com/ca/support">www.samsung.com/ca/support</a> (English) <a href="http://www.samsung.com/ca_fr/support">www.samsung.com/ca_fr/support</a> (French)



DC68-03650E-05





# Secadora

---

## Manual del usuario

DV22N685\*H\* / DV22N680\*H\*

---

**SAMSUNG**



# Contenido

---

<b>Información sobre seguridad</b>	<b>4</b>
Lo que necesita saber sobre las instrucciones de seguridad	4
Símbolos de seguridad importantes	4
ADVERTENCIA DE LA PROPUESTA 65 DE CALIFORNIA	5
Precauciones de seguridad importantes	5
Advertencias	7
Precauciones	7
<b>Antes de la instalación</b>	<b>9</b>
Requisitos de instalación importantes	9
Consideraciones acerca de la ubicación	9
Requisitos eléctricos	12
<b>Instalación</b>	<b>14</b>
Componentes	14
Instalación paso a paso	16
PASO 1 Conecte el cableado eléctrico	16
PASO 2 Nivele la secadora	18
Manguera de desagüe (si es necesario)	20
Lista de verificación	23
Antes de utilizar la secadora	23
Cambiar la posición de la puerta	24
<b>Antes de comenzar</b>	<b>28</b>
Clasificación y carga	28
Requisito de funcionamiento	28
<b>Funcionamiento</b>	<b>29</b>
Panel de control	29
Sencillos pasos para comenzar	32
Descripción del ciclo	33
Guía de ciclos	34
Funciones especiales	36
SmartThings	38



<b>Mantenimiento</b>	<b>43</b>
<hr/>	
Panel de control	43
Tambor	43
Tambor de acero inoxidable	43
Exterior de la secadora	43
Filtro para pelusas	43
Depósito de agua	45
Intercambiador de calor	46
<b>Solución de problemas</b>	<b>48</b>
<hr/>	
Verificaciones	48
Códigos de información	50
<b>Especificaciones</b>	<b>51</b>
<hr/>	
Tabla de indicaciones sobre la tela	51
Protección del medio ambiente	52
Hoja de especificaciones	53
Tabla de ciclos	54



# Información sobre seguridad

Felicitaciones por la compra de la nueva secadora Samsung. Este manual contiene información importante acerca de la instalación, el uso y el cuidado del electrodoméstico. Lea detenidamente estas instrucciones a fin de aprovechar al máximo los múltiples beneficios y funciones de la secadora.

Instale la secadora de ropa según las instrucciones del fabricante y los códigos locales.

## Lo que necesita saber sobre las instrucciones de seguridad

Lea este manual detenidamente para aprender a utilizar con seguridad y eficacia todas las características y funciones de su nuevo electrodoméstico. Conserve el manual en un lugar seguro cerca del electrodoméstico para consultas futuras. Utilice este electrodoméstico solo para el propósito para el que fue destinado como se describe en este manual.

Las advertencias y las instrucciones de seguridad importantes de este manual no cubren todas las posibles condiciones y situaciones que pueden ocurrir. Es su responsabilidad actuar con sentido común, precaución y cuidado cuando instale, realice el mantenimiento y ponga en funcionamiento la secadora.

Puesto que las siguientes instrucciones de funcionamiento sirven para varios modelos, las características de su secadora pueden diferir ligeramente de las que se describen en este manual y es posible que no todos los signos de advertencia sean aplicables. Si tiene alguna consulta o duda, comuníquese con el centro de servicio más cercano o busque ayuda e información en línea en [www.samsung.com](http://www.samsung.com).

## Símbolos de seguridad importantes

Los iconos y las señales incluidas en este manual del usuario significan lo siguiente:

### **ADVERTENCIA**

Peligros o prácticas inseguras que podrían causar lesiones físicas graves o la muerte y/o daños materiales.

### **PRECAUCIÓN**

Peligros o prácticas inseguras que podrían causar lesiones físicas y/o daños materiales.

### **NOTA**

Indica que existe el riesgo de lesiones físicas o daños materiales.

Estos signos de advertencia sirven para prevenir daño a usted y otros.

**Siga las instrucciones completamente.**

**Después de leer este manual, guárdelo en un lugar seguro para consultas futuras.**

Lea todas las instrucciones antes de usar el electrodoméstico.

Al igual que con cualquier equipo que usa electricidad y piezas movibles, existen riesgos potenciales. Para usar este electrodoméstico en forma segura, familiarícese con su funcionamiento y manéjelo con cuidado cuando lo use.

# CONSERVE ESTAS INSTRUCCIONES



## ADVERTENCIA DE LA PROPUESTA 65 DE CALIFORNIA

### **ADVERTENCIA**

Cáncer y daño al sistema reproductivo: [www.P65Warnings.ca.gov](http://www.P65Warnings.ca.gov).

#### **ADVERTENCIA - Riesgo de incendio**

- La instalación de la secadora de ropa debe estar a cargo de un instalador calificado.
- Instale la secadora de ropa según las instrucciones del fabricante y los códigos locales.
- Para reducir el riesgo de lesiones graves o muerte, siga todas las instrucciones de instalación.
- Guarde estas instrucciones.

## Precauciones de seguridad importantes

### **ADVERTENCIA**

Para reducir el riesgo de incendio, descarga eléctrica o lesiones físicas cuando usa este electrodoméstico, siga las instrucciones de seguridad básicas que figuran a continuación:

1. Lea todas las instrucciones antes de usar este electrodoméstico.
2. No seque prendas que han sido previamente limpiadas, lavadas, remojadas o salpicadas con gasolina, solventes de limpieza en seco u otras sustancias inflamables o explosivas, ya que emiten vapores que pueden prenderse fuego o explotar.
3. No utilice la secadora para secar ropa que tenga restos de sustancias inflamables, como aceites vegetales, de cocción o de máquina, productos químicos inflamables, disolventes de pinturas, etc., o que contengan cera o productos químicos, como trapeadores y paños de limpieza. Las sustancias inflamables pueden ocasionar que la tela se prenda fuego.
4. No almacene ni utilice gasolina u otros vapores o líquidos inflamables cerca de este o cualquier otro aparato eléctrico.
5. No permita que los niños jueguen sobre el electrodoméstico ni en su interior. Se requiere de supervisión cuando el electrodoméstico es utilizado cerca de los niños.
6. Antes de descartar el electrodoméstico o de retirarlo de servicio, extraiga la puerta del compartimiento de secado.
7. No introduzca la mano en el electrodoméstico si el tambor está en movimiento.
8. No instale o guarde este electrodoméstico donde quede expuesto a factores climáticos.

# CONSERVE ESTAS INSTRUCCIONES



# Información sobre seguridad

---

9. No modifique los controles internos.
10. No repare, reemplace ni intente realizar el mantenimiento de cualquier pieza del electrodoméstico salvo que esté recomendado específicamente en las instrucciones de mantenimiento del usuario o en las instrucciones de reparación para el usuario publicadas y que, a su juicio, usted tenga la habilidad para llevarlas a cabo.
11. No use suavizante para ropa o productos para evitar la estática salvo que el fabricante del suavizante para ropa o del producto lo recomiende.
12. Limpie el filtro para pelusas antes o después de cada carga.
13. No aplique calor para secar prendas que contengan goma espuma o materiales semejantes a la goma con textura similar.
14. El personal técnico calificado debe efectuar una limpieza periódica del interior del electrodoméstico.
15. No coloque elementos expuestos a aceites de cocina en la secadora. Los elementos contaminados con aceites de cocina pueden contribuir a que se produzca una reacción química que ocasione que la carga de ropa se incendie. Para reducir el riesgo de incendio debido a cargas de ropa contaminada, la parte final del ciclo de la secadora se realiza sin calor (período de enfriamiento). No detenga la secadora antes de terminar el ciclo de secado, pero si lo hace, retire rápidamente la ropa y espárzala para que se disipe el calor.
16. Este electrodoméstico debe conectarse a tierra. Consulte “Requisitos eléctricos” y “Conexión a tierra” en la sección “Instalación”.
17. No permita que los niños jueguen sobre el electrodoméstico ni en su interior. Se requiere de supervisión cuando el electrodoméstico es utilizado cerca de los niños.
18. No introduzca las manos bajo la secadora.
  - Esto puede provocar lesiones personales.
19. Al cerrar la puerta tenga cuidado de no atrapar los dedos de los niños.
  - Esto puede provocar lesiones personales.

## CONSERVE ESTAS INSTRUCCIONES



## **ADVERTENCIA - Para reducir el riesgo de incendio o explosión:**

- No seque prendas que hayan sido previamente limpiadas, lavadas, remojadas o salpicadas con gasolina, solventes de limpieza en seco u otras sustancias inflamables o explosivas. Emiten vapores que se pueden prender fuego o explotar. No debe colocarse en la secadora ningún material que haya estado en contacto con un solvente de limpieza o líquidos o sólidos inflamables hasta que se haya eliminado todo vestigio de tales líquidos o sólidos inflamables y sus vapores. Existen muchos artículos altamente inflamables en los hogares, tales como acetona, alcohol desnaturalizado, gasolina, kerosene, algunos limpiadores líquidos de uso doméstico, algunos quitamanchas, aguarrás, ceras y removedores de cera.
- No seque artículos que contengan goma espuma (puede estar catalogada como espuma de látex) o materiales semejantes a la goma y con textura similar en la opción de secado con calor. Los materiales de goma espuma que reciben calor pueden, en ciertas circunstancias, encenderse en forma espontánea.

## **Advertencias**

### **ADVERTENCIA**

- Asegúrese de que los bolsillos no contengan objetos pequeños, sólidos y de forma irregular, material extraño, etc., por ejemplo: monedas, cuchillos, alfileres, etc. Tales objetos podrían dañar la secadora.
- Bordes afilados: para reducir el riesgo de sufrir heridas, tener cuidado al limpiar las láminas del condensador o del evaporador.
- Ciertas partes eléctricas se han dejado intencionalmente desconectadas de la tierra física y pueden presentar un riesgo de choque eléctrico durante el mantenimiento. Personal de mantenimiento, no tocar estas partes mientras el aparato esté encendido: tablero de control, motor, bomba de drenaje.

## **Precauciones**

### **PRECAUCIÓN**

- No permita que los niños o las mascotas jueguen sobre el electrodoméstico, dentro de él o frente a él. Se requiere de supervisión cuando el electrodoméstico es utilizado cerca de niños y mascotas.
- Antes de desechar la secadora o de retirarla de servicio, quite la puerta del compartimiento de secado para evitar que los niños y las mascotas queden atrapados dentro de la secadora.

# **CONSERVE ESTAS INSTRUCCIONES**



# Información sobre seguridad

- No introduzca la mano en el electrodoméstico cuando el tambor esté en movimiento.
- No instale o guarde este electrodoméstico donde quede expuesto a factores climáticos.
- No modifique los controles.
- No repare ni reemplace ni intente realizar el mantenimiento de ninguna pieza del electrodoméstico salvo que esté indicado específicamente en las instrucciones de reparación para el usuario y que comprenda y tenga la habilidad para llevar a cabo el procedimiento.
- No utilice suavizante de ropa o productos para eliminar la estática a menos que el suavizante o producto esté recomendado para uso con la secadora por el fabricante del mismo.
- Limpie el filtro para pelusas antes o después de cada carga.
- Mantenga el área alrededor de la salida del drenaje y las áreas circundantes libres de pelusa, polvo y suciedad.
- El personal técnico calificado debe efectuar una limpieza periódica del interior de la secadora y del conducto de drenaje.
- Este electrodoméstico debe conectarse a tierra correctamente. Nunca enchufe el cable de alimentación a un receptáculo que no esté conectado a tierra correctamente ni guarde conformidad con los códigos locales y nacionales. Consulte las instrucciones de instalación para obtener información sobre cómo conectar este electrodoméstico a tierra.
- No se siente encima de la secadora.
- No seque ropa que contenga hebillas grandes, botones u otros objetos de metal pesado o sólido.
- Instale y use de acuerdo con las instrucciones del fabricante.
- No coloque prendas en la secadora que hayan sido salpicadas o remojadas con aceite vegetal o aceite de cocina. Incluso después del lavado, estas prendas pueden contener una cantidad importante de dichos aceites.
- El aceite residual en las prendas puede prenderse fuego en forma espontánea. La posibilidad de combustión espontánea aumenta cuando las prendas que contienen aceite vegetal o aceite de cocina son expuestas al calor. Las fuentes de calor, tales como la secadora, pueden calentar estas prendas y permitir que se produzca la oxidación del aceite a modo de reacción. La oxidación genera calor. Si dicho calor no tiene forma salir, las prendas pueden calentarse lo suficiente como para prenderse fuego. Amontonar, apilar o guardar este tipo de prendas puede impedir que el calor salga y puede generar un peligro de incendio.
- Todas las prendas limpias y sucias que contengan aceite vegetal o aceite de cocina pueden resultar peligrosas.

Lavar dichas prendas en agua caliente con una dosis adicional de detergente reducirá el peligro, aunque no lo eliminará. Siempre use el ciclo Enfriamiento para estas prendas con el fin de reducir la temperatura. Nunca retire estas prendas cuando la secadora se encuentre caliente ni interrumpa el ciclo de secado hasta que las prendas hayan pasado por el ciclo Cool Down (Enfriamiento). Nunca amontone o apile estas prendas cuando estén calientes.

## CONSERVE ESTAS INSTRUCCIONES





# Antes de la instalación

Lea atentamente las siguientes instrucciones antes de instalar la secadora y conserve este manual para futuras consultas.

## **ADVERTENCIA**

Ciertas partes eléctricas se han dejado intencionalmente desconectadas de la tierra física y pueden presentar un riesgo de choque eléctrico durante el mantenimiento. Personal de mantenimiento, no tocar estas partes mientras el aparato esté encendido: tablero de control, motor, bomba de drenaje.

## Requisitos de instalación importantes

- Un tomacorriente con conexión a tierra.
- Un cable de alimentación para las secadoras eléctricas (excepto en Canadá).
- Un sistema de drenaje de metal rígido o flexible con un recubrimiento de metal resistente.

## **ADVERTENCIA**

Retire la puerta de todos los electrodomésticos desechados para evitar que un niño se asfixie.

## Consideraciones acerca de la ubicación

- Espacios libres suficientes entre la secadora y las paredes adyacentes u otras superficies.
- Circulación de aire adecuada para la ventilación.
- Alejada del agua y los factores climáticos.

## **ADVERTENCIA**

- Asegúrese de que la secadora drene afuera a fin de reducir el riesgo de incendio.
- Mantenga el área de la secadora libre de materiales combustibles, gasolina y otros vapores y líquidos inflamables.
- No instale otros electrodomésticos que quemen combustible cerca o en el mismo lugar que la secadora.
- Para una instalación de garaje, deberá colocar la secadora al menos a 18 pulgadas (460 mm) sobre el piso.

## Instalación del electrodoméstico en un gabinete o en un hueco

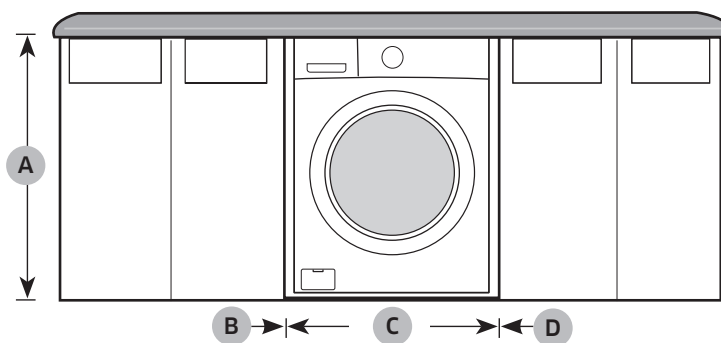
Espacio mínimo para un funcionamiento estable:

Laterales	1 pulg. (25 mm)
Arriba	1 pulg. (25 mm)
Posterior	2 pulg. (50 mm)
Frente	1 pulg. (25 mm)

El frente del gabinete debe contar con dos aberturas sin obstrucciones para que ingrese el aire, para ocupar un área total combinada mínima de 72 pulg<sup>2</sup> (465 cm<sup>2</sup>), con 3" (7.6 cm) de abertura mínima en la parte superior y en la parte inferior. Se acepta una puerta tipo persiana con un espacio libre equivalente.

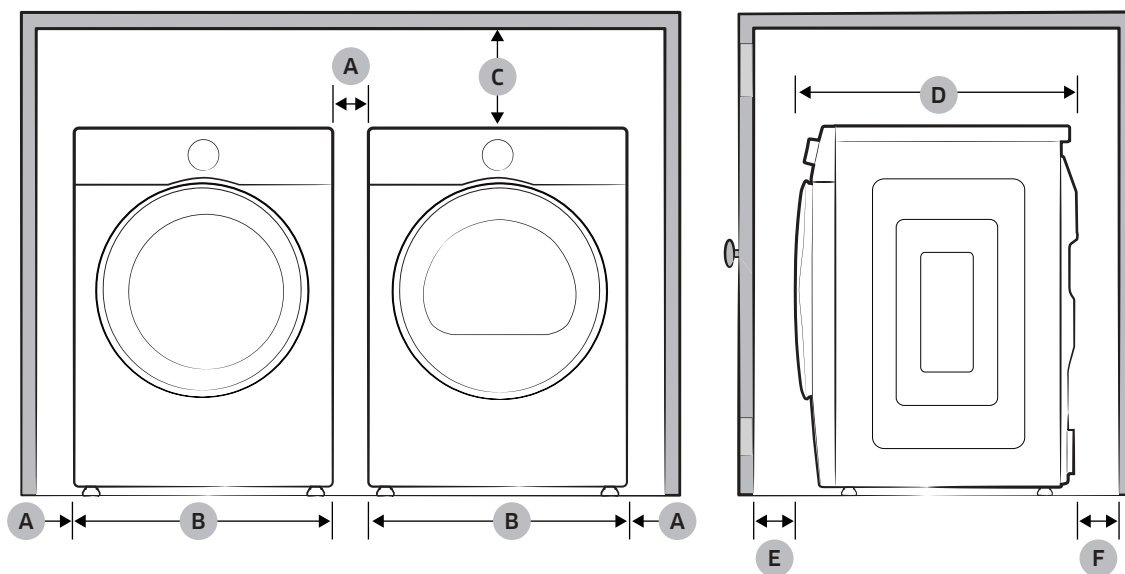
# Antes de la instalación

## Instalación debajo de un mostrador



A	34.4 pulg. (875 mm)	C	23.6 pulg. (600 mm)
B	1 pulg. (25 mm)	D	1 pulg. (25 mm)

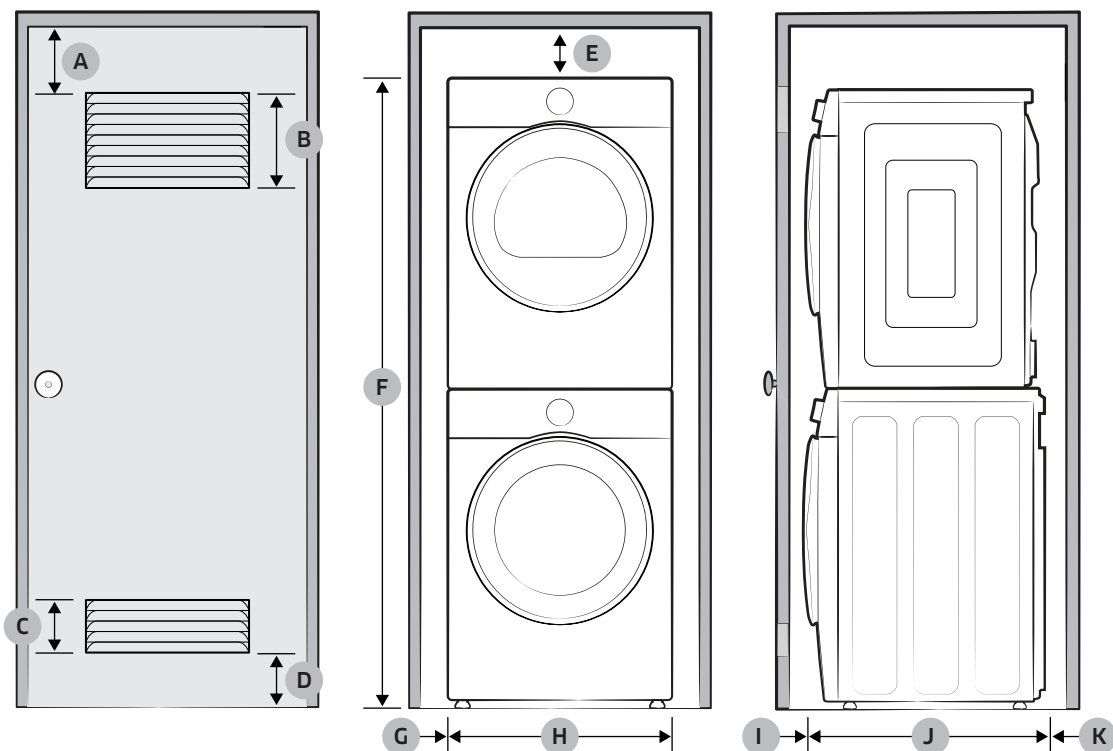
## Instalación lado a lado



A*	1 pulg. (25 mm)	D	25.6 pulg. (650 mm)
B	23.6 pulg. (600 mm)	E	1 pulg. (25 mm)
C	1 pulg. (25 mm)	F	2 pulg. (50 mm)

\*Este espacio no es aplicable a Secadora independientes.

## Instalación apilada (Modelo: SK-DH)



Antes de la instalación

A	3 pulg. (76 mm)	G	1 pulg. (25 mm)
B	48 pulg. <sup>2</sup> (310 mm <sup>2</sup> )	H	23.6 pulg. (600 mm)
C	24 pulg. <sup>2</sup> (155 mm <sup>2</sup> )	I	1 pulg. (25 mm)
D	3 pulg. (76 mm)	J	27.1 pulg. (688 mm)
E	6 pulg. (152 mm)	K	2 pulg. (50 mm)
F	67 pulg. (1702 mm)		

### **⚠ ADVERTENCIA**

Las lavadoras y las secadoras Samsung pueden apilarse para maximizar el espacio aprovechable.

Puede comprar un kit de apilado opcional a su minorista de Samsung.



# Antes de la instalación

## Requisitos eléctricos

El diagrama del cableado se encuentra en la placa debajo del panel de control o en el armazón posterior.

### ADVERTENCIA

- La conexión inadecuada del conductor de conexión a tierra del equipo puede generar el riesgo de descarga eléctrica. Consulte a un electricista o técnico calificado si le surgen dudas acerca de si la conexión a tierra de su secadora es correcta. No modifique el enchufe provisto con la secadora; si no entra en el tomacorriente, solicite a un electricista calificado que instale el tomacorriente adecuado.
- Para evitar el riesgo innecesario de incendio, descarga eléctrica o lesiones físicas, todo el cableado y la conexión a tierra deben realizarse de conformidad con los códigos locales o, en ausencia de ellos, de conformidad con el Código Eléctrico Nacional, ANSI/NFPA Nro. 70, su última revisión (para EE.UU.) o el Código Eléctrico Canadiense CSA C22.1, sus últimas revisiones y los códigos y ordenanzas locales. Es su responsabilidad proveer el servicio eléctrico adecuado para su secadora.

## Conexión a tierra

Esta secadora debe conectarse a tierra. En caso de que el electrodoméstico funcione mal o se descomponga, la conexión a tierra reducirá el riesgo de descarga eléctrica al ofrecer una vía de menor resistencia a la corriente eléctrica.

### ADVERTENCIA

- Su secadora tiene un cable opcional con un conductor de conexión a tierra del equipo y un enchufe de conexión a tierra. El cable se vende por separado.
- El enchufe debe conectarse a un tomacorriente adecuado que esté correctamente instalado y conectado a tierra en conformidad con todos los códigos y ordenanzas locales.
- No modifique el enchufe provisto con la secadora; si no entra en el tomacorriente, solicite a un electricista calificado que instale el tomacorriente adecuado.
- Si no se utiliza un cable de alimentación y la secadora eléctrica debe estar permanentemente conectada, se la debe conectar a un sistema de cableado de metal con conexión a tierra permanente, o se debe conectar un conductor con conexión a tierra del equipo a los conductores del circuito y a la terminal con conexión a tierra del equipo o al cable de la secadora.



## Conexiones eléctricas

Antes de poner el electrodoméstico en funcionamiento o realizar pruebas, siga las instrucciones de conexión a tierra de la sección “**Conexión a tierra**”. Se recomienda que se destine un circuito derivado individual (o separado) sólo para la secadora.

No utilice un cable prolongador.

### Solo Estados Unidos

La mayoría de las secadoras estadounidenses requieren un servicio eléctrico aprobado de CA de 240 voltios, 60 Hz. Algunas requieren un servicio eléctrico aprobado de 208 voltios, 60 Hz. Los requisitos del servicio eléctrico pueden encontrarse en la etiqueta con información ubicada detrás de la puerta. Se requiere un fusible o interruptor de 30 A a ambos lados del conducto.

- Si se utiliza un cable de alimentación, el cable debe enchufarse a un tomacorriente de 30 A.
- No se provee el cable de alimentación con los modelos eléctricos de secadoras estadounidenses. El cable se vende por separado.

### ADVERTENCIA

#### Riesgo de descarga eléctrica

Si lo permiten los códigos locales, se puede conectar el suministro eléctrico de la secadora por medio de un nuevo kit de cable de alimentación eléctrica, rotulado para que se lo utilice con la secadora, es decir que cuente con certificación U.L. y categorizado en un mínimo de 240 voltios, 30 amperes con tres conductores de cobre Nro. 10 que finalicen en terminales de bucle cerrado, pernos de pala de tipo abierto con extremos rebatidos o con conductores de estaño.

- No vuelva a utilizar un cable de alimentación eléctrica de una secadora vieja. El cable de alimentación eléctrica debe asegurarse en el gabinete de la secadora con una protección contra los tirones adecuada con certificación UL.
- La conexión a tierra a través del conductor neutro está prohibida para (1) instalaciones nuevas con circuito derivado, (2) casas rodantes, (3) vehículos de recreo y (4) áreas en las que los códigos locales prohíban la conexión a tierra a través de un conductor neutro. (Utilice un enchufe de 4 pines para un tomacorriente de 4 ranuras, tipo NEMA 14-30R.)

### Solo Canadá

- Se requiere un servicio eléctrico aprobado de CA de 240 voltios, 60 Hz, equipado con un fusible o disyuntor de 30 A a ambos lados del conducto.

### NOTA

Todos los modelos canadienses se envían con el cable de alimentación adjunto. El cable de alimentación debe conectarse a un tomacorriente de 30 A.

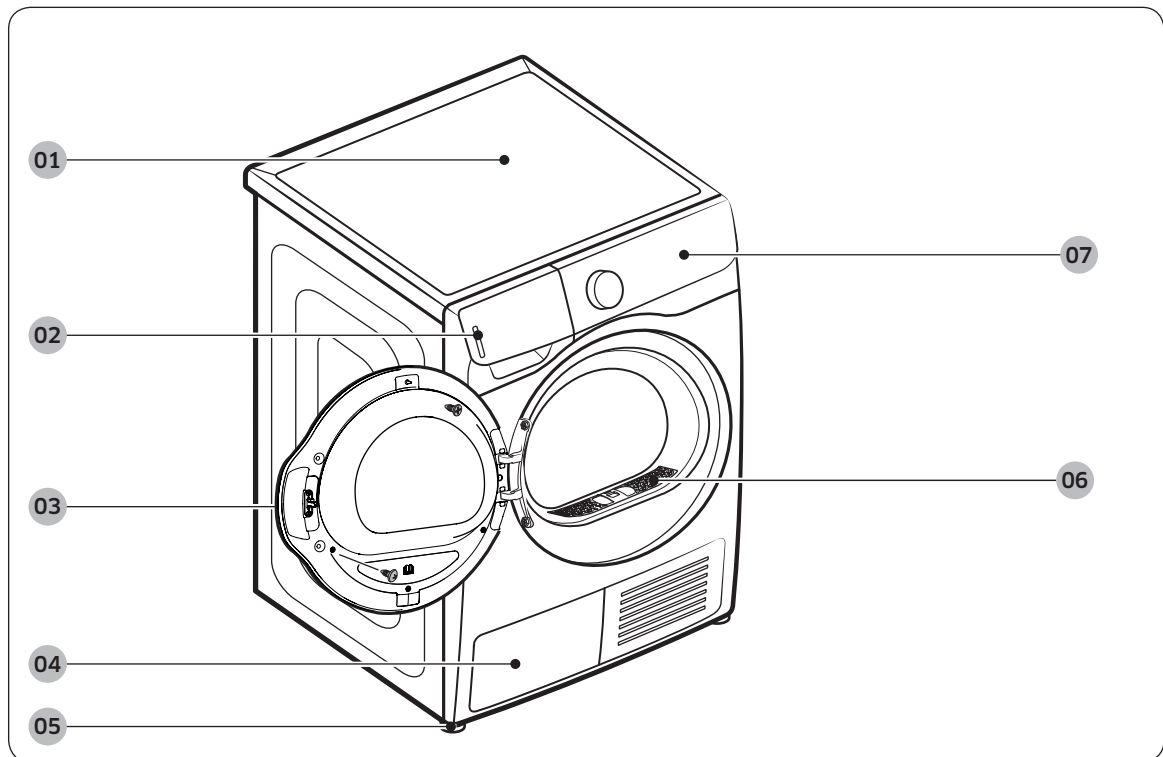
En Canadá, puede convertir una secadora a 208 voltios.

# Instalación

## Componentes

Desembale la secadora con cuidado. Mantenga los materiales del embalaje fuera del alcance de los niños. Las piezas y la posición de las piezas que se muestran a continuación pueden diferir de su secadora. Antes de la instalación, asegúrese de que la secadora contiene todas las piezas que se indican aquí. Si la secadora y/o las piezas están dañadas o faltan, póngase en contacto con el centro de atención al cliente de Samsung más cercano.

## Vista rápida de la secadora



**01** Cubierta superior

**02** Depósito de agua

**03** Puerta

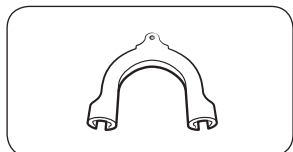
**04** Intercambiador de calor

**05** Pata niveladora

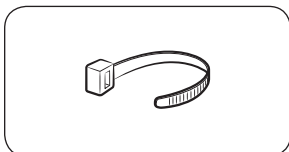
**06** Filtro para pelusas

**07** Panel de control

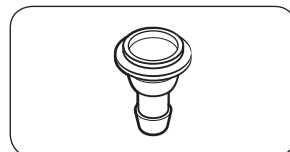
### Accesorios (suministrados)



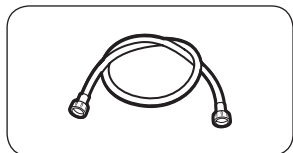
Guía de la manguera



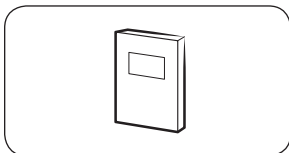
Sujeta cables



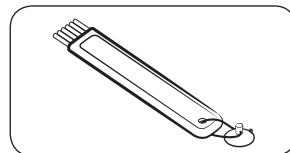
Conector de la manguera



Manguera de desagüe  
larga (2m)

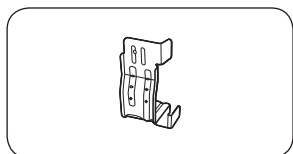


Manual del usuario



Cepillo de limpieza

### Accesorios (solo suministrada para el modelo de Canadá)



Abrazadera del kit  
apilamiento  
(SK-DH)

#### **NOTA**

- El kit de apilamiento permite apilar la secadora encima de la lavadora. Tenga en cuenta que el kit de apilamiento solo se puede utilizar con lavadoras y secadoras Samsung. Para adquirir una abrazadera de kit apilamiento, póngase en contacto con el centro de servicio de Samsung o con el distribuidor local. El kit de apilamiento varía en función del modelo de lavadora.
- Para ver instrucciones para apilar la secadora, consulte el manual de instalación incluido en el kit de apilamiento.
- Para obtener información acerca de la disponibilidad de un modelo concreto de kit de apilamiento, consulte el manual de instalación incluido en el kit de apilamiento.

# Instalación

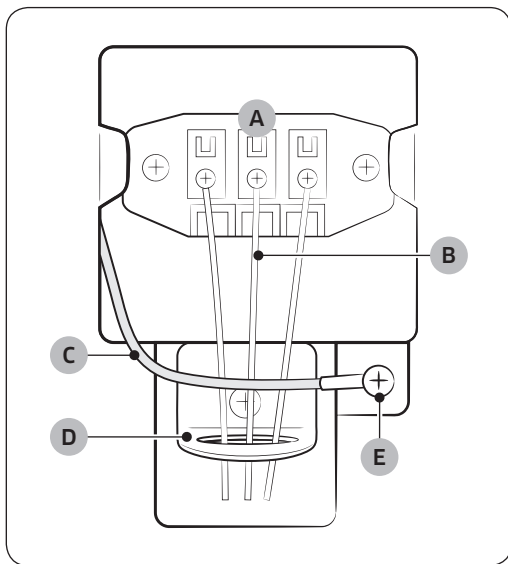
## Instalación paso a paso

Asegúrese de que un técnico calificado instale la secadora. A continuación aparecen unas instrucciones paso a paso de la instalación.

### PASO 1 Conecte el cableado eléctrico

Primero lea la sección “Requisitos eléctricos” y luego siga las instrucciones de esta página o la siguiente. Las instrucciones para las conexiones de sistemas de 3 cables se encuentran en esta página. Las instrucciones para las conexiones de sistemas de 4 cables se encuentran en la página siguiente.

Para un sistema de 3 cables



- A. Tornillo central de color plateado del bloque de terminales
- B. Cable neutro (cable blanco o central)
- C. Cable a tierra neutro (blanco o verde/amarillo)
- D. Dispositivo de alivio de tensión con certificación UL de ¾" (1.9 cm)
- E. Conector a tierra externo

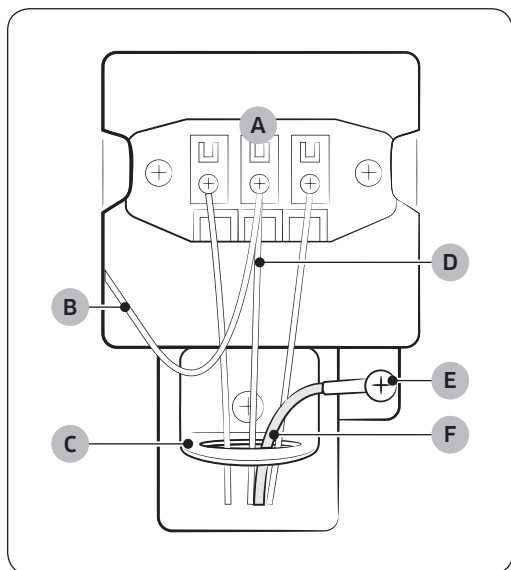
1. Afloje o retire los tornillos del bloque central de terminales.
2. Conecte el cable neutro (cable blanco o central) del cable de alimentación a la terminal de tornillo central de color plateado del bloque de terminales. Ajuste los tornillos.
3. Conecte los demás cables a los tornillos externos del bloque de terminales. Ajuste los tornillos.
4. Ajuste los tornillos con dispositivo de alivio de tensión.
5. Inserte la cubierta del bloque de terminales en el panel trasero de la secadora. Luego, asegure la cubierta con un tornillo de sujeción.

#### **PRECAUCIÓN**

- Para realizar la conversión del sistema de 4 cables a 3 cables, conecte la cinta de conexión a tierra al soporte del bloque de terminales para conectar a tierra el armazón de la secadora al conductor neutro.
- Se recomienda utilizar terminales de tipo anillo. Si utiliza terminales de correa, asegúrese de que estén ajustados.



## Para un sistema de 4 cables



- A.** Tornillo central de color plateado del bloque de terminales
- B.** Cable a tierra neutro (blanco o verde/amarillo)
- C.** Dispositivo de alivio de tensión con certificación UL de  $\frac{3}{4}$ " (1.9 cm)
- D.** Cable neutro (cable blanco o central)
- E.** Conector a tierra externo
- F.** Cable verde o de cobre desnudo del cable de alimentación

1. Retire el tornillo del conector externo a tierra y conecte el cable de conexión a tierra (verde o sin cubierta) del cable de alimentación al tornillo.

### **⚠ PRECAUCIÓN**

- Para conectar el cable de conexión a tierra a la posición neutra sin atravesar el contacto A (conexión a tierra del gabinete), comuníquese con un técnico. No se trata de una operación que pueda realizar el usuario.
  - Se recomienda utilizar terminales de tipo anillo. Si utiliza terminales de correa, asegúrese de que estén ajustados.
2. Afloje o retire los tornillos del bloque central de terminales.
  3. Conecte el cable neutro (cable blanco o central) y el cable de conexión a tierra (blanco) a la terminal de tornillo central de color plateado del bloque de terminales. Ajuste el tornillo.
  4. Conecte los demás cables a los tornillos externos del bloque de terminales. Ajuste los tornillos.
  5. Ajuste los tornillos con dispositivo de alivio de tensión.
  6. Inserte la lengüeta de la cubierta del bloque de terminales en el panel trasero de la secadora. Luego, asegure la cubierta con un tornillo de sujeción.

### **⚠ ADVERTENCIA**

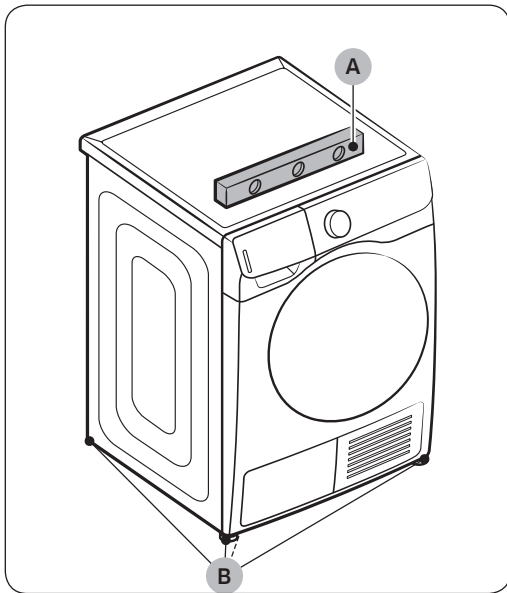
- Todos los modelos estadounidenses están fabricados para una conexión de sistemas de 3 cables. El armazón de la secadora está conectado a tierra al conductor neutro del bloque de terminales. Se requiere una conexión de sistemas de 4 cables para las construcciones nuevas o remodeladas, las casas rodantes o si los códigos locales no permiten la conexión a tierra a través del neutro. Si utiliza un sistema de 4 cables, no puede conectar a tierra el armazón de la secadora al conductor neutro del bloque de terminales.
- Retire la tapa del bloque de terminales.

# Instalación

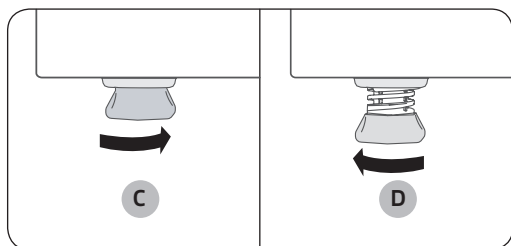
- Inserte el cable de alimentación con una protección contra los tirones con certificación UL a través del orificio provisto en el gabinete cerca del bloque de terminales.
- Se debe utilizar un dispositivo de alivio de tensión.
- No afloje las tuercas ya instaladas en el bloque de terminales. Asegúrese de que estén ajustadas.
- Utilice un tomacorriente para huecos profundos de 3/8" (1 cm).

## PASO 2 Nivele la secadora

Antes de instalar la secadora, asegúrese de haber leído Requisitos para la instalación en la página 9. Tenga en cuenta que las siguientes instrucciones son para hacer una instalación sin usar una manguera de drenaje. Para instrucciones de instalación con manguera de desagüe, consulte la sección siguiente, Manguera de desagüe (si es necesario). Para mayor comodidad, considere la conveniencia de instalar la secadora junto a la lavadora.



1. Coloque la secadora con cuidado en el lugar seleccionado.
2. Utilice un **nivel (A)** y compruebe la nivelación de la secadora de lado a lado y de la parte frontal a la posterior.
3. Si la secadora no está equilibrada, ajuste la **pata niveladora (B)**. Girar la pata en el sentido contrario a las agujas del reloj la retrae. Girar la pata en el sentido de las agujas del reloj la extiende.
4. Cuando la secadora esté nivelada, asegúrese de que se apoya firmemente sobre el suelo.
5. Enchufe la secadora.

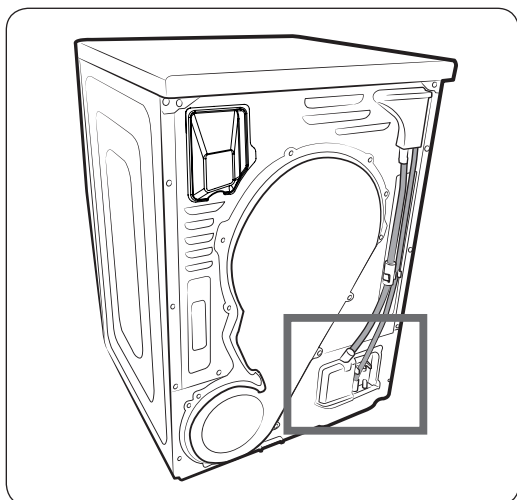


**NOTA**

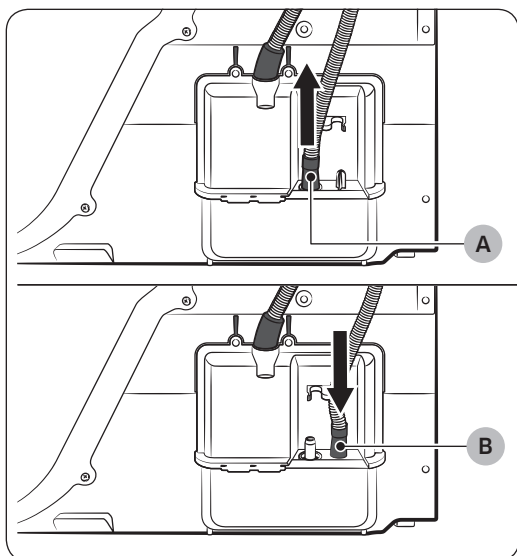
- La secadora se puede nivelar con las patas delanteras, con las patas traseras o con todas.
- Para colocar la secadora a la misma altura que la lavadora, **retraiga completamente (C)** las patas niveladoras girándolas en sentido contrario a las agujas del reloj, luego **afoje (D)** las patas girándolas en el sentido de las agujas del reloj.
- Extienda la pata niveladora lo mínimo necesario. Extender las patas niveladoras más de lo necesario puede hacer que la secadora vibre.

# Instalación

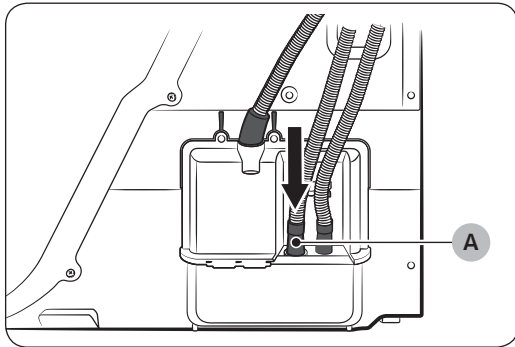
## Manguera de desagüe (si es necesario)



La secadora se suministra con un depósito de agua incorporado. Sin embargo, si no quiere utilizar el depósito de agua, deberá instalar una manguera de desagüe. La manguera accesorio (la manguera de desagüe larga) se puede utilizar como una extensión de la manguera de desagüe.

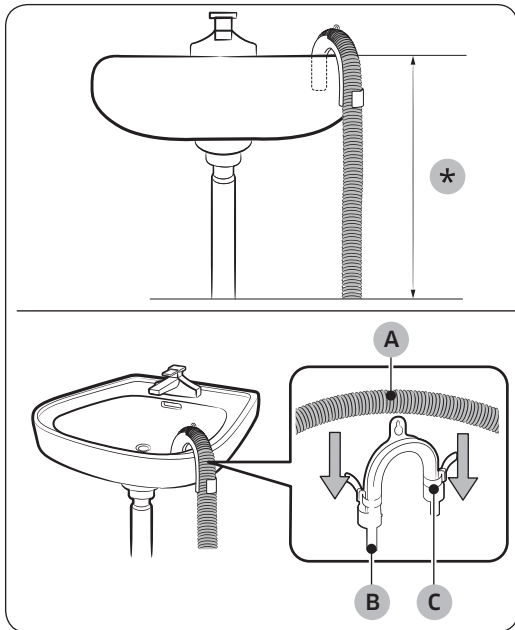


1. Extraiga la manguera de desagüe del orificio (A) e insértela en el orificio (B).



2. Inserte un extremo de la manguera accesoria (la manguera de desagüe larga) en el **orificio (A)**.
3. Inserte el otro extremo (salida) de la manguera accesoria al sistema de drenaje en una de las siguientes maneras:

**Sobre un lavabo:**



1. Asegúrese de colocar el extremo de la manguera accesoria a menos de **90 cm (\*)** de la parte inferior de la secadora.
2. Para doblar en algún punto la manguera accesoria, utilice la **guía de la manguera (B)** de plástico suministrada y asegure la guía a la pared mediante un gancho, o bien al grifo con un cordel. Instale la **manguera de desagüe (A)** y la **guía de la manguera (B)** y asegúrelas con el **sujetacables (C)**.
3. Se puede vaciar el agua condensada conectando la manguera accesoria (la manguera de desagüe larga) directamente al desagüe.

**⚠ PRECAUCIÓN**

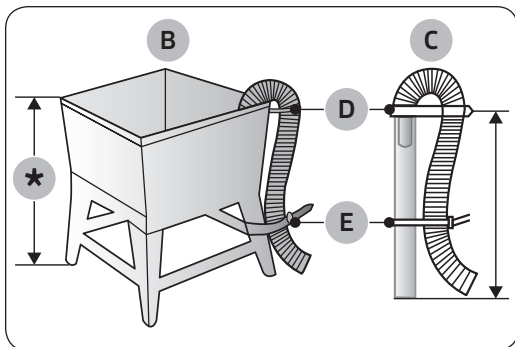
No alargue la manguera de desagüe. Pueden producirse fugas de agua en la zona de la conexión. Utilice una manguera de desagüe larga.

**En una toma de agua o una tina**

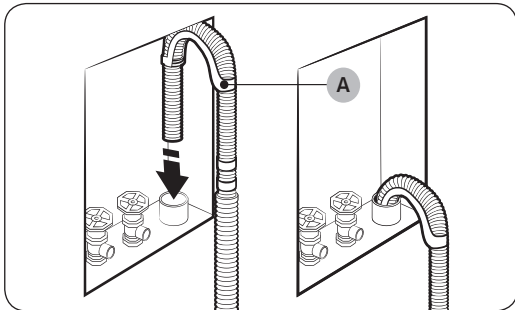
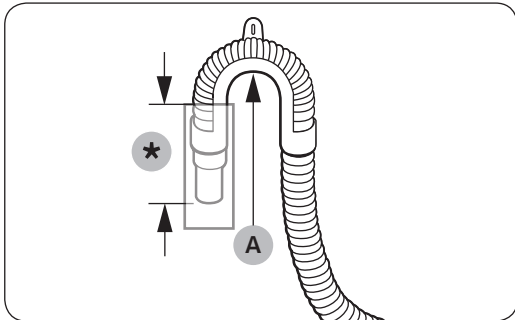
El tambor de lavado (B) o la toma de agua (C) no debe superar los 35,4 pulg. (90 cm). Asegúrese de que la manguera de drenaje y la toma de agua no sean herméticas.

**📄 NOTA**

- D: Dispositivo para sujetar la manguera /
- E: Correa de sujeción



# Instalación



## ⚠ PRECAUCIÓN

- Conecte la **guía de la manguera (A)** dentro de 6 pulg. (15 cm)\* del extremo de la manguera de drenaje.

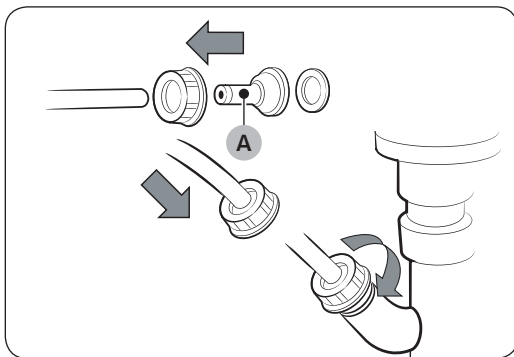
Si la manguera de drenaje se extiende más allá del extremo de la guía de la manguera, puede propagarse moho o microorganismos al interior de la secadora.

- La manguera de drenaje se puede instalar hasta una altura de 35.4 pulg. (90 cm), pero la capacidad de drenaje puede reducirse a la altura máxima. El agua restante en la secadora puede causar un mal funcionamiento.

## Sistema de drenaje de toma de agua de pared

La manguera de drenaje debe colocarse en un sistema de drenaje de toma de agua de pared. Para mantener doblado el extremo de la manguera de drenaje, utilice la **guía (A)** para la manguera que se suministra. Fije la guía a la pared utilizando un gancho para garantizar un drenaje estable.

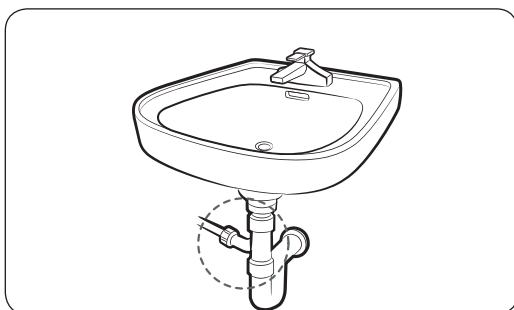
## Utilizando la tubería de desagüe del lavabo:



1. Instale el **conector de la manguera (A)** y fíjelo al extremo de la manguera accesoria como se muestra.

## ⚠ PRECAUCIÓN

Para evitar fugas de agua, asegúrese de conectar firmemente la manguera y el conector.



2. Conecte el adaptador de la manguera directamente a la tubería de desagüe del lavabo.

---

## Lista de verificación

---

- La secadora está enchufada a una toma de corriente conectada a tierra adecuadamente.
- Todo el material de embalaje se ha retirado y eliminado correctamente.
- La secadora está nivelada y se apoya firmemente sobre el suelo.
- Encienda la secadora para asegurarse de que funciona, calienta y se apaga.
- Ejecute un ciclo **TIME DRY (TIEMPO DE SECADO)** durante 20 minutos para ver si se muestra el código de información **HC**. Si es así, póngase en contacto con un centro de servicio técnico local.
- Después de la instalación, se recomienda esperar por lo menos 1 hora antes de utilizar la secadora.

---

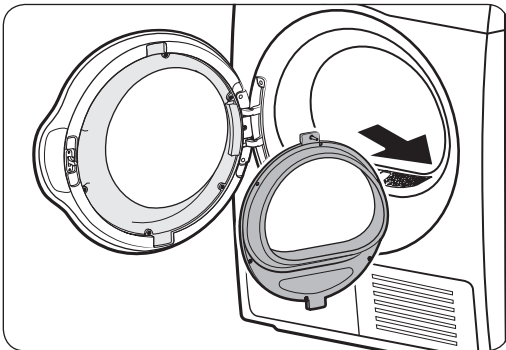
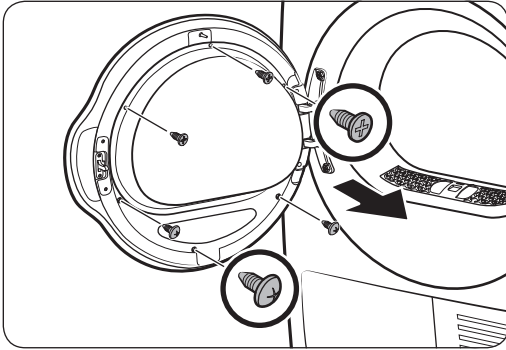
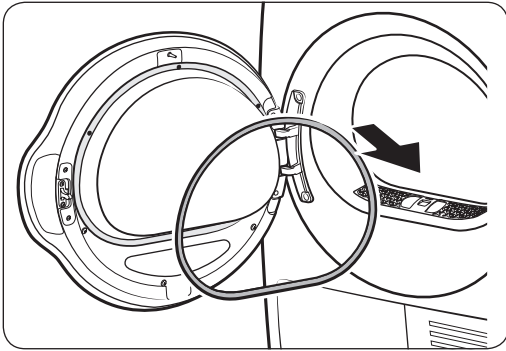
## Antes de utilizar la secadora

---

- Asegúrese de que no queda ningún accesorio en el interior del tambor.
- Enchufe el cable de alimentación justo antes de poner en funcionamiento la secadora.
- No bloquee el orificio de entrada de aire de la rejilla de ventilación que se encuentra en la parte frontal de la secadora.
- No deje objetos inflamables cerca de la secadora y mantenga limpio el entorno.
- Nivele la secadora con el suelo.
- No quite las patas niveladoras ajustables de la secadora. Son necesarias para que la secadora esté nivelada respecto al suelo.

# Instalación

## Cambiar la posición de la puerta



Para invertir el sentido en que se abre la puerta, le recomendamos que llame a un técnico calificado.

1. Retire la junta de la puerta.

2. Quite los tornillos del soporte del cristal interior de la puerta.

- En primer lugar, afloje y quite los 3 tornillos de la parte inferior.

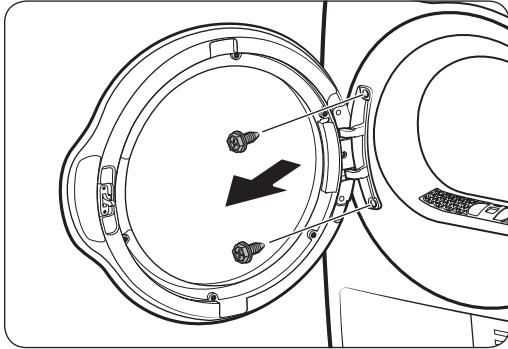
Después afloje y quite los 3 tornillos de la parte superior.

3. Separe el soporte de cristal.

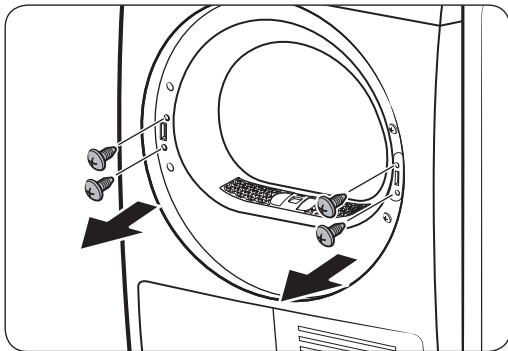
### ⚠ PRECAUCIÓN

Tenga cuidado de no dejar caer ninguna pieza del soporte cuando lo desmonte. Podría producirse daños materiales (resquebrajaduras o roturas) o físicos.

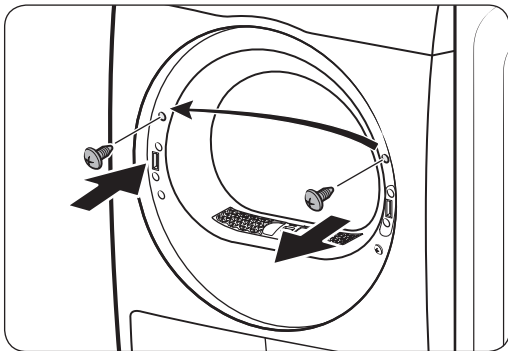




4. Quite los tornillos de la bisagra y desmonte la puerta.
  - Afloje y quite los 2 tornillos del marco de la puerta.
  - Para evitar la fricción de los tornillos, utilice un destornillador hexagonal.

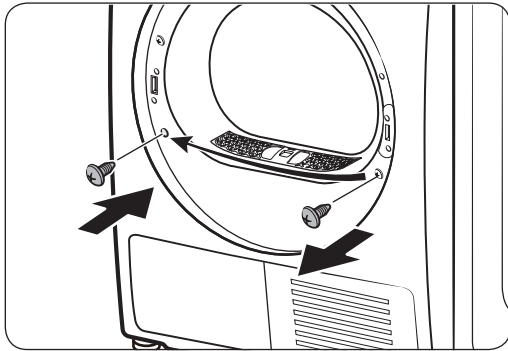


5. Retirar los 2 tornillos del sujetador en el marco izquierdo y después los 2 tornillos de soporte del marco derecho.

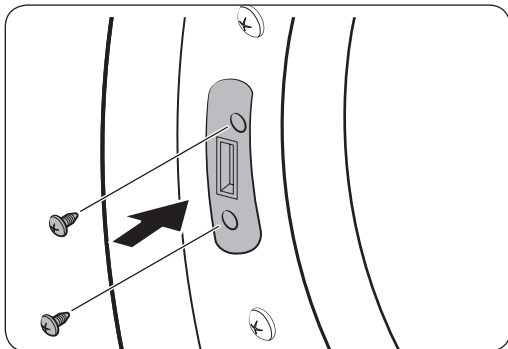


6. Retirar el tornillo superior a la derecha del marco de la puerta y después insertarlo en el orificio izquierdo correspondiente del marco de la puerta. No quite los tornillos de la abrazadera inferior.

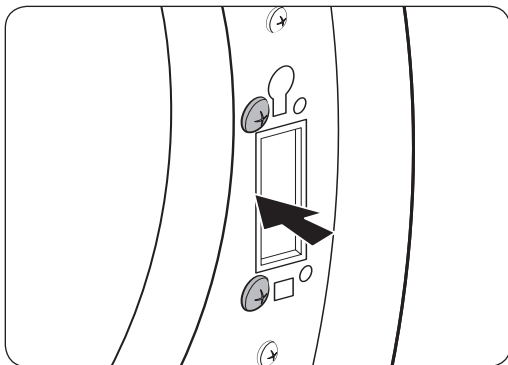
# Instalación



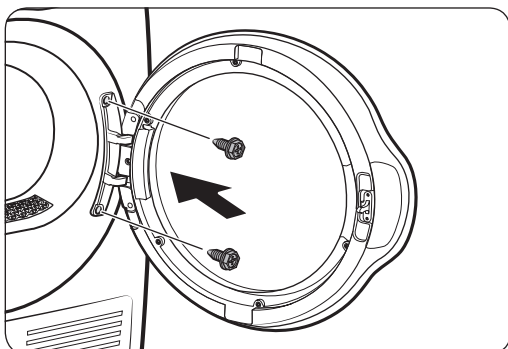
7. Retirar el tornillo inferior del marco derecho y después insertarlo en el orificio correspondiente del marco izquierdo.



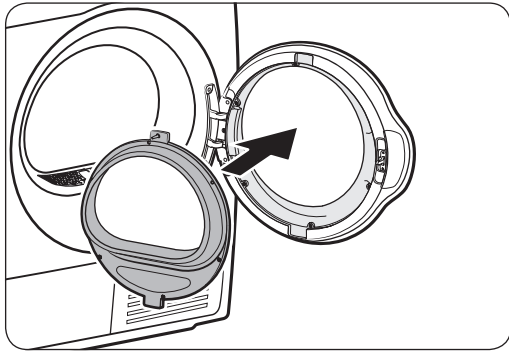
8. Inserte los 2 tornillos de la abrazadera que ha extraído en el marco izquierdo, como se muestra.  
- Consulte la imagen de la izquierda para conocer la posición correcta de los tornillos.



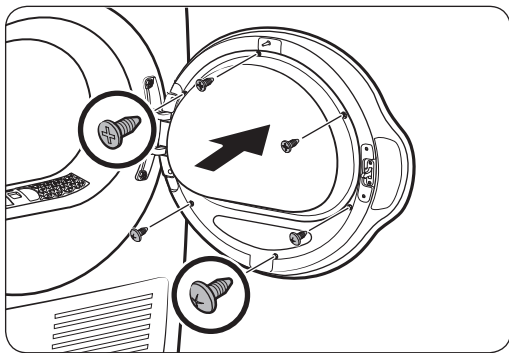
9. Inserte los 2 tornillos de la abrazadera que ha extraído en el marco izquierdo, como se muestra.  
- Consulte la imagen de la derecha para conocer la posición correcta de los tornillos.



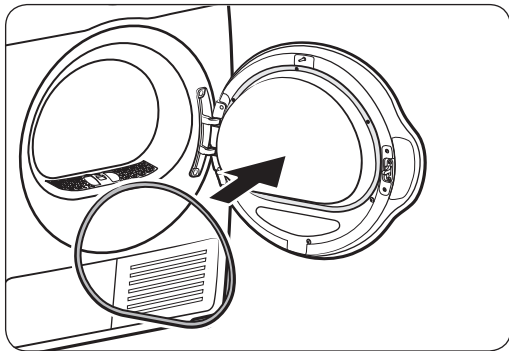
10. Inserte la bisagra de la puerta en el lado opuesto del marco de la puerta y ajuste los 2 tornillos.



- 11.** Insertar el sujetador del vidrio interior en la cubierta de la puerta que se instaló en el marco derecho.



- 12.** Apretar los 3 tornillos de la parte superior y los 3 tornillos de la parte inferior.



- 13.** Monte la junta de la puerta.

# Antes de comenzar

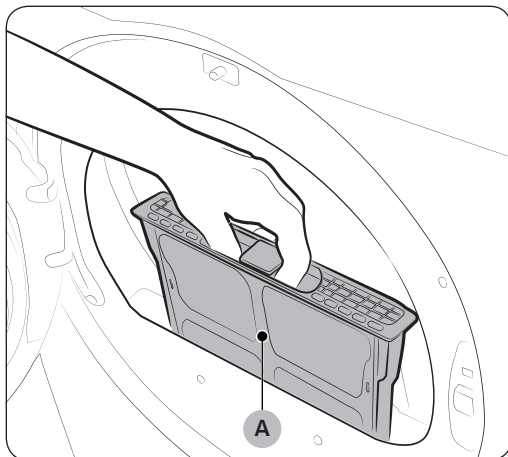
Antes de encender la secadora, debe saber algunas cosas.

## Clasificación y carga

- Coloque una carga de ropa en la secadora por vez.
- No mezcle prendas pesadas y livianas.
- Para mejorar la eficiencia de secado al secar una o dos prendas, agregue una toalla seca a la carga.
- Para obtener mejores resultados, desenrede las prendas antes de colocarlas en la secadora.
- La sobrecarga limita el funcionamiento y ocasiona un secado irregular, así como la formación de arrugas.
- A menos que se recomiende en la etiqueta, no seque prendas de lana o fibra de vidrio.
- Evite secar artículos sin lavar.
- No seque artículos muy sucios con aceite, alcohol, gasolina, etc.

## Requisito de funcionamiento

### Filtro para pelusas



Para evitar el riesgo de incendios, asegúrese de limpiar el filtro de pelusa antes o después de cada carga.

1. Apague la secadora.
2. Abra la puerta y retire el **filtro de pelusa (A)** del tambor.
3. Retire la pelusa acumulada y luego limpie el filtro.
4. Inserte el filtro nuevamente y cierre la puerta.

### **!** PRECAUCIÓN

- No haga funcionar la secadora sin el filtro para pelusas insertado.
- No utilice un filtro de pelusa dañado o roto. Esto podría reducir el desempeño y/o provocar un incendio.

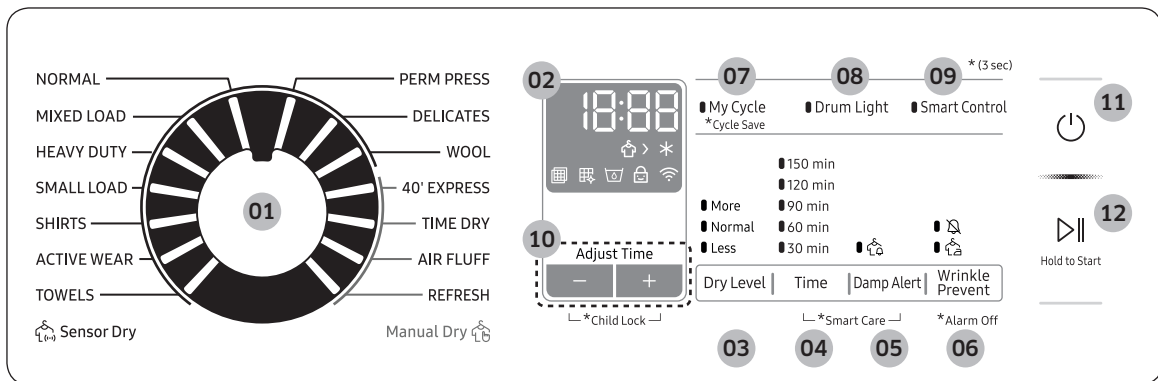
# Funcionamiento

## ⚠ ADVERTENCIA

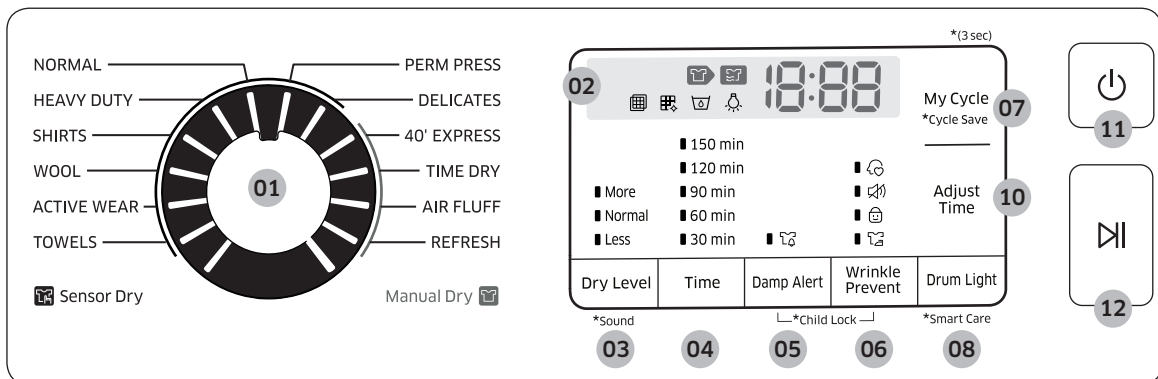
Para reducir el riesgo de incendio, descarga eléctrica o lesiones personales, lea "Información sobre seguridad" antes de poner en funcionamiento el electrodoméstico.

## Panel de control

### DV22N685\*H\*





### DV22N680\*H\*



<b>01</b> Selector de ciclos	Gire el selector de ciclos para seleccionar el ciclo deseado. Al seleccionar un ciclo, se enciende el indicador correspondiente.
<b>02</b> Pantalla gráfica digital	Muestra toda la información del ciclo, incluyendo el tiempo del ciclo, el código de información, el estado de funcionamiento y los indicadores.

# Funcionamiento






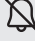



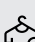
<b>03 Dry Level (Nivel de Secado)</b>	<p>Presione para ajustar el nivel de secado de los ciclos <b>Sensor Dry (Secado con sensor)</b>. Se enciende el indicador correspondiente.</p> <ul style="list-style-type: none"> <li>Las cargas más grandes o más voluminosas posiblemente requieran <b>More (Más)</b> para que el secado sea completo.</li> <li><b>Less (Menos)</b> es la opción más adecuada para telas livianas, o para que quede algo de humedad en las prendas al final del ciclo.</li> </ul> <p> <b>NOTA</b> Esta opción no se encuentra disponible con <b>WOOL (LANA)</b> y <b>ACTIVE WEAR (ROPA DEPORTIVA)</b>.</p>
<b>04 Time (Tiempo)</b>	<p>Presione para ajustar la duración de los ciclos <b>40' EXPRESS (RÁPIDO 40')</b>, <b>TIME DRY (TIEMPO DE SECADO)</b>, <b>AIR FLUFF (TEMP. AMBIENTE)</b> y <b>REFRESH (REFRESCAR)</b>.</p> <ul style="list-style-type: none"> <li>Están disponibles las siguientes opciones de tiempo (unidad: minuto): 30, 60, 90, 120, y 150.</li> <li>La duración exacta de la operación de secado varía en función de la humedad de la carga.</li> </ul>
<b>05 Damp Alert (Prendas Secas)</b>	<p>Esta alerta está disponible para todos los ciclos de <b>Sensor Dry (Secado con sensor)</b> excepto <b>ACTIVE WEAR (ROPA DEPORTIVA)</b> y <b>WOOL (LANA)</b>. Los niveles de secado disponibles son <b>Normal</b>, <b>More (Más)</b> y <b>Less (Menos)</b>. Si una carga contiene prendas mixtas, el indicador de Damp Alert (Prendas Secas) parpadea cuando el promedio de secado de las prendas es de 80 %. Esto le permite retirar las prendas que no desea que se sequen completamente o que se secan rápidamente fuera de la secadora mientras deja que otras prendas sigan secándose.</p>
<b>06 Wrinkle Prevent (Prevenir Arrugas)</b>	<p><b>Wrinkle Prevent (Prevenir Arrugas)</b> ofrece aproximadamente 180 minutos de secado intermitente con aire fresco al final del ciclo para reducir la formación de arrugas. Presione <b>Wrinkle Prevent (Prevenir Arrugas)</b> para activar dicha función. La carga está seca y puede ser retirada en cualquier momento durante el proceso de <b>Wrinkle Prevent (Prevenir Arrugas)</b>.</p> <ul style="list-style-type: none"> <li>Mantenga presionado <b>Wrinkle Prevent (Prevenir Arrugas)</b> durante 3 segundos para apagar la alarma. Cuando la alarma está apagada, se enciende el indicador () de Alarm Off (Alarma apagada).</li> </ul>
<b>07 My Cycle (Mi Ciclo)</b>	<p>Seleccione su ciclo preferido incluyendo duración, temperatura y nivel de secado. Consulte "<b>My Cycle (Mi Ciclo)</b>" para obtener más detalles.</p>
<b>08 Drum Light (Luz Interior)</b>	<p>Presione para encender o apagar la lámpara interior. La lámpara permanece encendida durante 2 minutos y luego se apaga automáticamente.</p>
<b>09 Smart Control (Control inteligente) (DV22N685*H*)</b>	<p>Una vez conectada la secadora a la red doméstica mediante la aplicación SmartThings podrá controlarla de manera remota. El indicador de <b>Smart Control (Control inteligente)</b> parpadea. La secadora entra en espera de comandos remotos. Si desea obtener más información, consulte la sección SmartThings en la página 38.</p>

<b>10</b> Adjust Time (Ajustar tiempo)	Puede cambiar el tiempo ajustado en los ciclos de <b>Manual Dry (Secado manual)</b> . Para cambiar la duración del ciclo, presione los botones <b>Adjust Time (Ajustar tiempo)</b> (- y +) hasta que aparezca el tiempo deseado. ※ Sólo el modelo DV22N680*H* tiene un botón (Adjust Time (Ajustar Tiempo)).
<b>11</b> Encender/ Apagar	Presione para encender y apagar la secadora.
<b>12</b> Inicio/Pausa (Hold to Start (sostenga para iniciar))	Mantenga presionado para iniciar el funcionamiento, o presione para detenerla de forma momentánea.


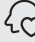
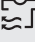





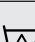


### NOTA

Las prendas muy enredadas pueden disminuir la eficacia del secado o hacer que se abra la puerta. Recomendamos desenredar las prendas antes de secarlas.

### Indicadores (DV22N685\*H\*)

	Secado		Child Lock (Seguro para niños)
	Enfriando		Wi-Fi
	Indicador de control de filtro		Alarm Off (Alarma apagada)
	Alarma de limpieza del intercambiador de calor		Wrinkle Prevent (Prevenir Arrugas)
	Depósito de agua lleno		Damp Alert (Prendas Secas)

### Indicadores (DV22N680\*H\*)

	Secado		My Cycle (Mi Ciclo)
	Enfriando		Sonido apagado
	Indicador de control de filtro		Child Lock (Seguro para niños)
	Alarma de limpieza del intercambiador de calor		Wrinkle Prevent (Prevenir Arrugas)
	Depósito de agua lleno		Damp Alert (Prendas Secas)
	Drum Light (Luz Interior)		



# Funcionamiento

---

## Sencillos pasos para comenzar

---

1. Presione **Encender/Apagar** para poner en funcionamiento la secadora.
2. Gire el **Selector de ciclos** para seleccionar el ciclo deseado.
3. Cambie las configuraciones de ciclo (**Dry Level (Nivel de Secado)** y **Time (Tiempo)**) según sea necesario.
4. Como opción, puede activar las opciones disponibles presionando el botón correspondiente. (**Adjust Time (Ajustar tiempo)** - y +, **Wrinkle Prevent (Prevenir Arrugas)** y/o **Damp Alert (Prendas Secas)**)
5. Mantenga presionado **Inicio/Pausa (Hold to Start (sostenga para iniciar))**. La luz indicadora de la secadora se enciende y el tiempo estimado del ciclo aparece en la pantalla.

## Para cambiar el ciclo durante el funcionamiento

1. Presione **Inicio/Pausa (Hold to Start (sostenga para iniciar))** para detener el funcionamiento.
2. Seleccione un programa diferente.
3. Mantenga presionado **Inicio/Pausa (Hold to Start (sostenga para iniciar))** para iniciar el nuevo ciclo.

## Clasificación y carga

- Ponga una sola carga de lavado a la vez en la secadora.
- Evite mezclar prendas pesadas y livianas.
- Para aumentar la eficiencia de secado al secar una o más prendas, agregue una toalla seca a la carga.
- Para obtener mejores resultados, desenrede las prendas antes de colocarlas en la secadora.
- Sobrecargar la secadora limita su funcionamiento y ocasiona un secado desperejo así como la formación de arrugas.
- A menos que se recomiende en la etiqueta, evite secar prendas de lana o fibra de vidrio.
- Evite secar artículos sin lavar.
- No seque artículos muy sucios con aceite, alcohol, gasolina, etc.





## Descripción del ciclo

### Sensor Dry (Secado con sensor)

Los ciclos de **Sensor Dry (Secado con sensor)** detectan la humedad en la carga y detienen la secadora cuando la carga alcanza el nivel de secado que usted seleccionó con **Dry Level (Nivel de Secado)**.

Ciclo	Descripción
NORMAL	Para la mayoría de las telas, incluido algodón y lino.
MIXED LOAD (CARGA MIXTA) (DV22N685*H*)	Para cargas mixtas de prendas de algodón y telas sintéticas.
HEAVY DUTY (CARGA PESADA)	Para secar prendas de tela resistente, tales como los jeans, la pana y la ropa de trabajo con calor a alta temperatura.
SMALL LOAD (CARGA PEQUEÑA) (DV22N685*H*)	Se usa para secar rápidamente una carga pequeña.
SHIRTS (CAMISAS)	Se usa para secar rápidamente una prenda (como una camisa).
ACTIVE WEAR (ROPA DEPORTIVA)	Para prendas para hacer ejercicio y actividades al aire libre tales como jerseys de deporte, pantalones deportivos, chaquetas impermeables u otras prendas de entrenamiento. Puede que las telas gruesas como los cierres o cierres velcro o medias de entrenamiento no se sequen completamente.
TOWELS (TOALLAS)	Para toallas de baño y prendas similares
PERM PRESS (PLANCHADO PERMANENTE)	Seca automáticamente prendas de algodón sin arrugas, también telas sintéticas, tejidos y telas antiarrugas.
DELICATES (DELICADOS)	Para secar prendas sensibles al calor a baja temperatura de secado.
WOOL (LANA)	Solo para lana que pueda lavarse en lavadora y secarse en secadora.

# Funcionamiento

## Manual Dry (Secado Manual)

Puede cambiar los ajustes de secado en forma manual según su preferencia.

Ciclo	Descripción
40' EXPRESS (RÁPIDO 40')	Para secar telas sintéticas livianas de algodón o prendas que necesitan un secado rápido. El tiempo predeterminado es de 40 minutos.
TIME DRY (TIEMPO DE SECADO)	Permite seleccionar el tiempo del ciclo en minutos.
AIR FLUFF (TEMP. AMBIENTE)	Seca la carga con aire a temperatura ambiente.
REFRESH (REFRESCAR)	Utiliza aire tibio para desodorizar y refrescar prendas.

## Guía de ciclos

La mejor manera de secar las prendas es seguir las instrucciones de la etiqueta. Si no se brindan instrucciones de secado, consulte la siguiente tabla a modo de referencia.

Ciclo	Descripción
Cubrecamas y edredones	Siga las instrucciones de la etiqueta con indicaciones o seque en el ciclo <b>NORMAL</b> . <ul style="list-style-type: none"><li>Asegúrese de que la prenda esté completamente seca antes de usarla o guardarla.</li><li>Tal vez deba volver a colocarla en el tambor para garantizar un secado uniforme.</li></ul>
Ropa de cama	Utilice <b>NORMAL</b> y seque de a una sola cobija por vez para lograr un mejor funcionamiento de la secadora. <ul style="list-style-type: none"><li>Asegúrese de que las cobijas estén completamente secas antes de usarlas o guardarlas.</li></ul>
Cortinas y paños de tela	Usar <b>PERM PRESS (PLANCHADO PERMANENTE)</b> para ayudar a disminuir las arrugas. <ul style="list-style-type: none"><li>Seque cortinas y paños de tela en tandas pequeñas para obtener mejores resultados y retírelos lo antes posible una vez finalizado el ciclo.</li></ul>
Pañales de tela	Usar <b>NORMAL</b> para pañales suaves o acolchados.

Ciclo	Descripción
Prendas con relleno de plumas (chaquetas, bolsas de dormir, edredones, etc.)	Siga las instrucciones de la etiqueta con indicaciones o seque en el ciclo <b>NORMAL</b> . <ul style="list-style-type: none"> <li>Agregue un par de toallas secas para absorber la humedad y acortar el tiempo de secado.</li> </ul>
Goma espuma (reverso de alfombras, muñecos de peluche, hombreras, etc.)	NO seque con el ciclo de secado con calor. Utilice <b>AIR FLUFF (TEMP. AMBIENTE)</b> . <b>⚠ ADVERTENCIA</b> Secar un artículo de goma con calor puede dañarlo o causar un incendio.
Almohadas	Utilice <b>NORMAL</b> . <ul style="list-style-type: none"> <li>Agregue un par de toallas secas y un par de zapatillas limpias para mejorar el funcionamiento de la secadora y ahuecar las almohadas.</li> <li>No seque almohadas de capoc o de goma espuma utilizando un ciclo de secado con calor.</li> </ul> Puede secar estos elementos en la secadora solamente si usa el ciclo <b>AIR FLUFF (TEMP. AMBIENTE)</b> .
Plásticos (cortinas de baño, cubiertas de muebles para exteriores, etc.)	Utilice <b>AIR FLUFF (TEMP. AMBIENTE)</b> o <b>TIME DRY (TIEMPO DE SECADO)</b> y la opción de temperatura <b>Low (Baja)</b> o <b>Extra Low (Muy baja)</b> de acuerdo con las instrucciones de la etiqueta.

### **⚠ ADVERTENCIA**

No seque:

- Artículos de fibra de vidrio (cortinas, paños de tela, etc.)
- Lanas, salvo que se recomiende en la etiqueta
- Artículos manchados o embebidos en aceite vegetal o de cocina



# Funcionamiento

## Funciones especiales

### Child Lock (Seguro para niños)

La función de seguro para niños evita que los niños jueguen con la secadora. Cuando el seguro para niños está activado, todos los botones excepto **Encender/Apagar** se desactivan.

Para activar/desactivar el seguro para niños, mantenga presionados simultáneamente los botones **Adjust Time (Ajustar tiempo)** (- y +) durante 3 segundos.

※ Modelo DV22N680\*H\*: presione y mantenga presionados los botones **Damp Alert (Prendas Secas)** y **Wrinkle Prevent (Prevenir Arrugas)**.

### **NOTA**

Una vez activado el seguro para niños permanecerá activo incluso después que encienda la secadora nuevamente. Si otros botones, salvo el botón **Encender/Apagar**, no responden, verifique el indicador de Seguro para niños. Si el indicador está encendido, siga las instrucciones precedentes para desactivar el seguro para niños.

### My Cycle (Mi ciclo)

Puede crear su propio ciclo con sus ajustes preferidos y usarlo según su conveniencia.

1. Gire el **Selector de ciclos** para seleccionar el ciclo deseado. Se enciende el indicador de ciclo.
2. Configure o modifique los ajustes (**Dry Level (Nivel de Secado)**, **Time (Tiempo)** etc.) y/u otras opciones según sea necesario. Los indicadores correspondientes titilan.
3. Mantenga presionado **My Cycle (Mi ciclo)** durante 3 segundos. La secadora guarda el ciclo seleccionado y sus ajustes.

Para utilizar Mi ciclo, presione **My Cycle (Mi ciclo)**.

### **NOTA**

**WRINKLE PREVENT (PREVENIR ARRUGAS)** no está disponible con My Cycle (Mi ciclo).



## Smart Care (Cuidado Inteligente)

Si la secadora muestra un código de información, puede usar Smart Care (Cuidado Inteligente) para verificar el estado de la secadora en un teléfono inteligente. Para usar Smart Care (Cuidado Inteligente), debe tener instalada la aplicación Smart Care (Cuidado Inteligente) de Samsung en su teléfono inteligente.

### **NOTA**

Smart Care (Cuidado Inteligente) está optimizado para Galaxy de Samsung y iPhones de Apple. (no es compatible con algunos modelos).

Descargue la aplicación Samsung Smart Washer desde Google Play Store o Apple App Store (Palabra de búsqueda: “**Samsung Smart Washer/Dryer**”) e instálela en su teléfono inteligente.

Si aparece algún código de información en la secadora, siga estos pasos:

1. Mantenga presionado al mismo tiempo **Time (Tiempo)** y **Damp Alert (Prendas Secas)** durante 3 segundos para activar Smart Care (Cuidado Inteligente).  
※ Modelo DV22N680\*H\*: presione y mantenga presionado el botón **Drum Light (Luz Interior)**.
2. Abra la aplicación Smart Care (Cuidado Inteligente) en su teléfono inteligente.
3. Coloque la cámara de su teléfono inteligente cerca de la pantalla de la secadora. La aplicación reconoce automáticamente el código de información y muestra sugerencias en su teléfono inteligente.
4. Si el teléfono inteligente no reconoce el código de información más de dos veces, ingrese en forma manual el código de información en la aplicación Smart Care (Cuidado Inteligente).

### **PRECAUCIÓN**

- Si la luz se refleja en la pantalla de la secadora, es posible que el teléfono no reconozca el código de información.
- Si coloca el teléfono inteligente en un ángulo de la pantalla de la secadora, es posible que el teléfono no reconozca el código de información. Para obtener los mejores resultados, sostenga el teléfono inteligente en una posición paralela o casi paralela respecto al frontal del panel.
- Después de usar esta función, la secadora eliminará el registro del código de información de su registro de códigos.



# Funcionamiento

## SmartThings

※'SmartThings' sólo está disponible en el modelo DV22N685\*H\*.

### Conexión wifi

Encienda la conexión wifi en los **ajustes** de su smartphone y seleccione un AP (punto de acceso).

#### **NOTA**

- Este dispositivo está diseñado solo para uso doméstico (clase B) y se puede utilizar en todo tipo de zonas residenciales.
- Este dispositivo podría causar interferencias inalámbricas y ni el fabricante ni el instalador pueden proporcionar ninguna medida de seguridad.
- Los métodos de encriptación recomendados son WPA/TKIP y WPA2/AES. El dispositivo no es compatible con protocolos wifi nuevos o no autorizados.
- La capacidad de recepción de una red wifi puede verse afectada por otras redes inalámbricas en el entorno.
- Si su proveedor de internet ha registrado para uso permanente la dirección MAC de su ordenador o el módulo del módem, la secadora Samsung no podrá conectarse a internet. En ese caso, póngase en contacto con su proveedor de internet.
- El firewall de internet puede interrumpir la conexión. En ese caso, póngase en contacto con su proveedor de internet.
- Si la conexión a internet sigue fallando después de implementar las medidas de su proveedor de internet, póngase en contacto con un distribuidor de Samsung cercano o con un centro de servicios.
- Para la instalación de routers con cable o inalámbricos, consulte el correspondiente manual de usuario.
- Las secadoras Samsung son compatibles con los protocolos wifi 2.4 GHz.
- Las secadoras Samsung son compatibles con los protocolos SoftAP del estándar IEEE 802.11 b/g/n (2.4 GHz). (Se recomienda el estándar IEEE 802.11n)
- Un router no autorizado, con cable o inalámbrico, podría tener problemas de conexión con la secadora Samsung.

### Descargar

Busque la aplicación SmartThings en una tienda de aplicaciones (Google Play Store, Apple App Store o Samsung Galaxy Apps) empleando el término de búsqueda "SmartThings". Descargue e instale la aplicación en su dispositivo.

#### **NOTA**

- La aplicación SmartThings está disponible para dispositivos de otros fabricantes con Android OS 6.0 (Marshmallow) o superior, dispositivos de Samsung con Android OS 5.0 (Lollipop) o superior y dispositivos iOS con iOS 10.0 o superior (Para iPhone, la aplicación es compatible con iPhone 6 o superior). La aplicación está optimizada para los smartphones Samsung (serie Galaxy S y Note).
- Algunas funciones de esta aplicación pueden funcionar de manera diferente en dispositivos de otros fabricantes.
- La aplicación puede cambiar sin previo aviso a fin de continuar mejorando el rendimiento.



## Iniciar sesión

En primer lugar debe iniciar sesión en SmartThings usando su cuenta Samsung. Para crear una nueva cuenta Samsung, siga las instrucciones en la aplicación. No necesita otra aplicación para crear una cuenta.

### **NOTA**

Si tiene una cuenta de Samsung, úsela para iniciar sesión. Si utiliza un smartphone Samsung, el inicio de sesión será automático.

## Para registrar su dispositivo en SmartThings

1. Asegúrese de que su smartphone está conectado a una red inalámbrica. Si no es así, encienda la conexión wifi en los **ajustes** de su smartphone y seleccione un AP (punto de acceso).
2. Seleccione la opción ejecutar **SmartThings** desde su teléfono.
3. Cuando aparezca el mensaje "A new device is found." (Se ha encontrado un nuevo dispositivo), seleccione **Add (Añadir)**.
4. Si no aparece ningún mensaje, seleccione + y su secadora en la lista de dispositivos disponibles. Si su secadora no está en la lista, seleccione **Device Type(Tipo de dispositivo) > Specific Device Model (Modelo de dispositivo específico)** y, a continuación, añada su secadora manualmente.
5. Registre su secadora en la aplicación SmartThings de la siguiente manera.
  - a. Inicie sesión en SmartThings usando su cuenta Samsung.
  - b. Encienda una conexión wifi.
  - c. Añada la secadora a SmartThings. Compruebe que la secadora está conectada a SmartThings.
  - d. Al finalizar el registro, la secadora debería aparecer en su smartphone.

## Aplicación Dryer

Control integrado: Puede supervisar y controlar la secadora desde cualquier lugar, en casa o fuera.

- Seleccione el icono de la secadora en SmartThings. Aparecerá la página de la secadora.
- Compruebe el estado del funcionamiento o las notificaciones relacionadas con la secadora y cambie las opciones o los ajustes si es necesario.

# Funcionamiento

## SmartThings

Categoría	Verificaciones	Descripción
Supervisión	Estado del secado	Puede comprobar el ciclo actual y sus opciones, así como el tiempo restante del ciclo.
	Smart Control	Aparece el estado de Smart Control para la secadora.
	Autocomprobación	Use esta opción para comprobar si la máquina está funcionando con normalidad.
	Monitor de energía	Use esta opción para controlar el estado del consumo de energía.
Control	Inicio/Pausa/Cancelar	Seleccione un ciclo y las opciones necesarias y, a continuación, seleccione Inicio/Pausa/Cancelar para empezar una operación o detenerla temporalmente, o para cancelar la operación actual.
	Mis favoritos	Puede añadir a My Favorite (Mis favoritos) los ciclos y opciones que usa más a menudo, para usarlos en otra ocasión.
Notificación	Ciclo finalizado	Le informa de que ha finalizado el ciclo actual.
	Prendas olvidadas (Modelos aplicables únicamente)	Le informa de hay ropa que se ha quedado en el tambor tras completar un ciclo.



Categoría	Verificaciones	Descripción
Q-Rator	Fórmula de lavado *	Usted también puede seleccionar el tipo de tela, nivel de secado y prevención de arrugas para crear opciones recomendadas y ciclos de secado que pueda iniciar de inmediato.
	Planificador de lavado *	Usted puede fijar el tiempo deseado para que un ciclo de secado termine. Tras escoger el tiempo, obtendrá un ciclo recomendado de la duración seleccionada. A continuación, podrá iniciar el ciclo o guardarlo para otro momento.
	Asistente HomeCare*	Ofrece un informe regular con un análisis del estado de funcionamiento de la máquina a una frecuencia fijada por el usuario (cada semana/mes). Puede usar este informe para comprobar el patrón de uso, los requisitos de mantenimiento y el consumo de energía** para el periodo de tiempo establecido.
	* Es necesario 'SmartThings', disponible para Android e iOS. Es necesario registrarse. **Resultados puramente indicativos.	

# Funcionamiento

---

## Anuncio de código abierto

El software incluido en este producto contiene software de código abierto. Puede obtener el correspondiente código fuente completo para un periodo de tres años a partir del último envío de este producto enviando un correo electrónico a <mailto:oss.request@samsung.com>.

Asimismo es posible obtener el correspondiente código fuente completo en un soporte físico como un CD-ROM; se le cobrará una tasa mínima.

La siguiente URL [http://opensource.samsung.com/opensource/SMART\\_AT\\_051/seq/0](http://opensource.samsung.com/opensource/SMART_AT_051/seq/0) lleva a la página de descarga del código fuente disponible y a la información de licencia de código abierto relacionada con este producto. Esta oferta es válida para quienes reciban esta información.



## NOTA

Por el presente documento, Samsung Electronics declara que, el electrodoméstico de tipo radioeléctrico cumple con la Directiva 2014/53/UE. El texto completo de la Declaración de Conformidad UE está disponible en la siguiente dirección de internet: Podrá encontrar la Declaración de Conformidad oficial en <http://www.samsung.com>, ir a Soporte, buscar Soporte de Producto e introducir el nombre del modelo.

Potencia máxima de transmisión wifi: 20 dBm a 2.412 GHz - 2.472 GHz

# Mantenimiento

---

## ADVERTENCIA

- No rocíe agua directamente en la secadora para limpiarla.
- No utilice benceno, disolventes, alcohol o acetona para limpiar la secadora. Se podría producir decoloración, deformación, daños, una descarga eléctrica o un incendio.
- Asegúrese de desenchufar el cable de alimentación antes de limpiar la secadora.
- Ciertas partes eléctricas se han dejado intencionalmente desconectadas de la tierra física y pueden presentar un riesgo de choque eléctrico durante el mantenimiento. Personal de mantenimiento, no tocar estas partes mientras el aparato esté encendido: tablero de control, motor, bomba de drenaje.

## Panel de control

---

- Limpie con un paño suave y húmedo. No utilice sustancias abrasivas.
- No rocíe productos de limpieza líquidos directamente en la pantalla de la secadora.
- Algunos productos removedores de suciedad y manchas de tratamiento previo pueden dañar el panel de control.
- Al usar productos de limpieza líquidos, aplíquelos a la ropa. No los aplique directamente en la secadora. Limpie el líquido derramado o rociado inmediatamente.

## Tambor

---

- Elimina las manchas del tambor con un limpiador multiuso.
- Seque toallas o trapos para eliminar restos de manchas o productos de limpieza. Las manchas pueden ser aún visibles, pero no afectarán las cargas posteriores.

## Tambor de acero inoxidable

---

Para limpiar el tambor de acero inoxidable, use un paño humedecido con un limpiador suave, no abrasivo, adecuado para superficies que se deterioran fácilmente. Elimine los residuos del limpiador y seque con un paño limpio.

## Exterior de la secadora

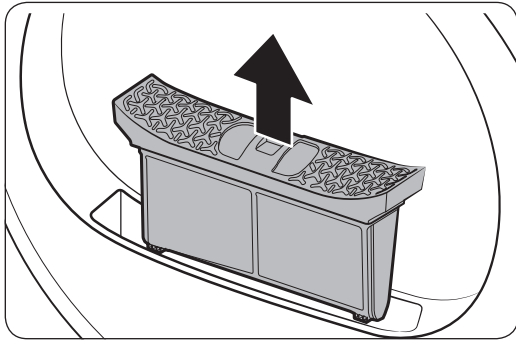
---

- Limpie con un paño suave y húmedo. No utilice sustancias abrasivas.
- Proteja la superficie de objetos afilados.
- No coloque objetos pesados ni afilados ni tampoco un envase de detergente sobre la secadora. Pueden rayar o dañar la cubierta superior de la secadora.
- La secadora tiene un acabado brillante en toda su superficie. Tenga cuidado de no rayar ni dañar la superficie.

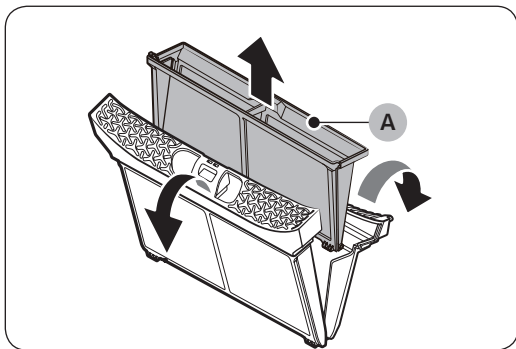
# Mantenimiento

## Filtro para pelusas

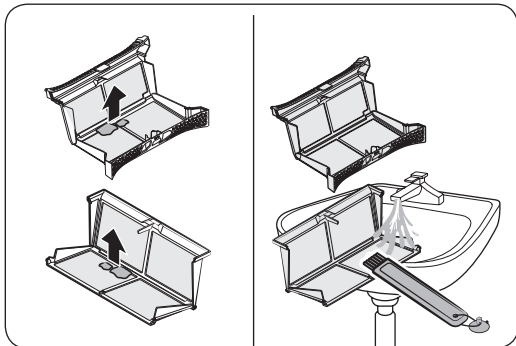
Limpie el filtro de pelusa después de cada carga.



1. Abra la puerta y tire del filtro de pelusa hacia arriba para extraerlo.



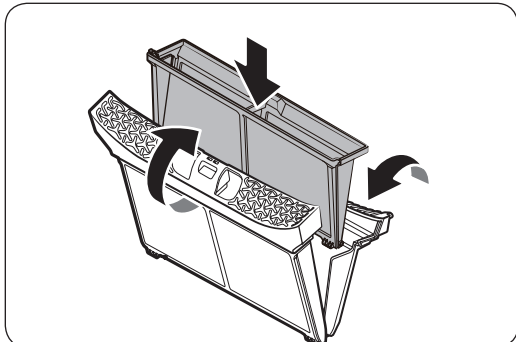
2. Abra el filtro exterior y retire el filtro interior (A).



3. Extienda el filtro interior y el filtro exterior.
4. Retire la pelusa de ambos filtros y límpielos con el cepillo de limpieza.

### **NOTA**

Para limpiar los filtros a fondo, limpie los filtros con agua corriente y, a continuación, séquelos por completo.



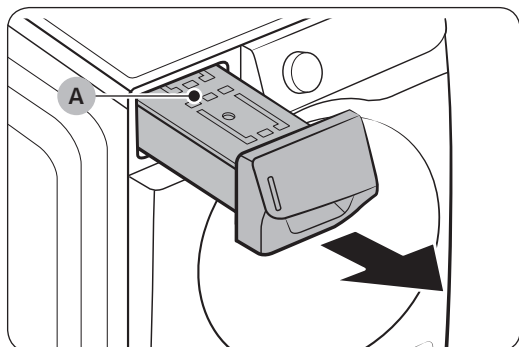
5. Ponga el filtro interior dentro del filtro exterior y monte el filtro de pelusa en su posición original.

### ⚠ PRECAUCIÓN

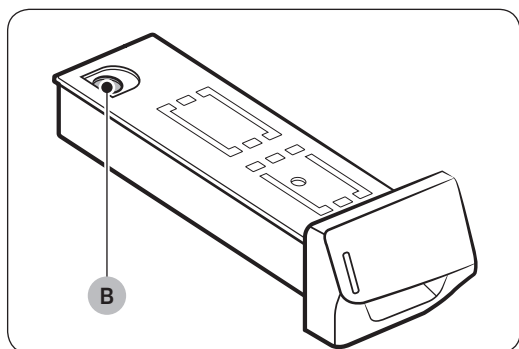
- Limpie el filtro de pelusa después de cada carga. De lo contrario, puede disminuir la eficacia del secado.
- No utilice la secadora si el filtro interior no está insertado en el filtro exterior.
- Utilizar la secadora con un filtro de pelusa húmedo puede causar moho y malos olores o disminuir la eficacia del secado.

## Depósito de agua

Vacíe el depósito de agua después de cada carga para evitar fugas.



1. Tire del depósito de agua (A) con las dos manos para retirarlo.



2. Vacíe el agua a través del orificio de desagüe (B) y vuelva a colocar el depósito de agua en su lugar.

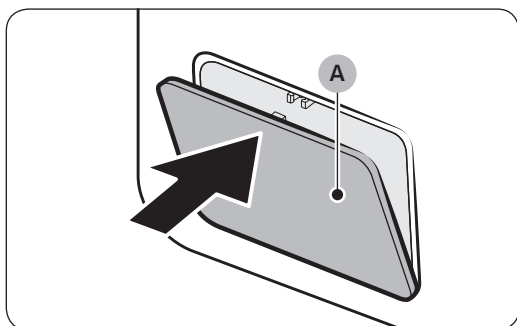
### 📄 NOTA

Cuando se vacía el depósito de agua y se mantiene pulsado Inicio/Pausa (Hold to Start (sostenga para iniciar)), se apaga el indicador correspondiente.

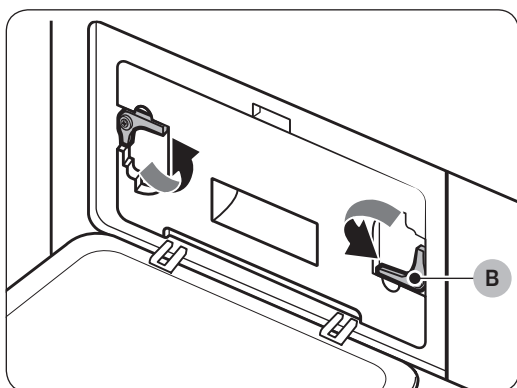
# Mantenimiento

## Intercambiador de calor

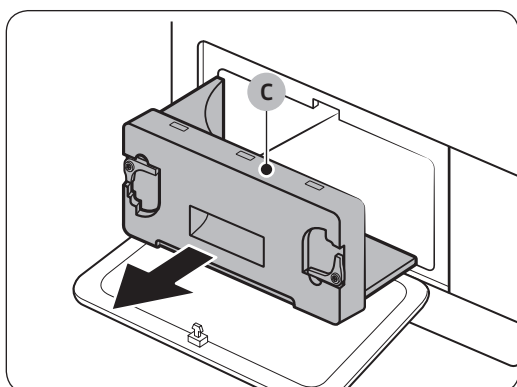
Limpie el intercambiador de calor al menos una vez al mes. Cuando es necesario limpiar el intercambiador de calor, el indicador correspondiente (🔔) se enciende en la pantalla a modo de recordatorio.



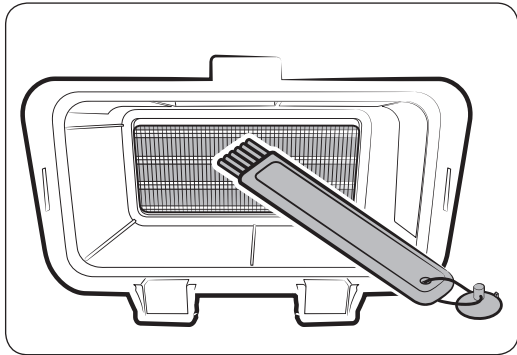
1. Presione suavemente la parte superior de la **cubierta exterior (A)** para abrirla.



2. Desbloquee las fijaciones (B).



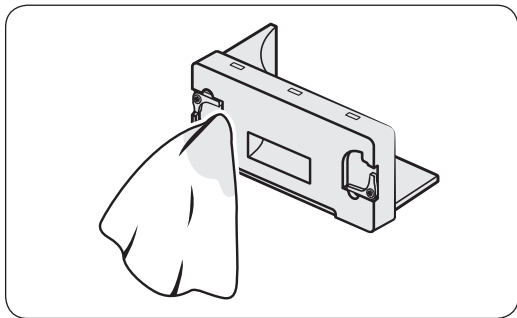
3. Separe la **cubierta interior (C)**.



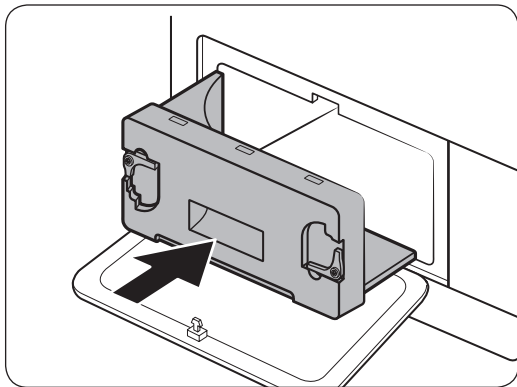
4. Limpie el intercambiador de calor con el cepillo de limpieza proporcionado o con un aspirador con un accesorio de cepillo. Tenga cuidado de no doblar ni dañar las aletas del intercambiador de calor durante la limpieza. Esto podría disminuir la eficacia del secado.

**⚠ PRECAUCIÓN**

- Para evitar lesiones y quemaduras, no toque ni limpie el intercambiador de calor con las manos descubiertas.
- No limpie el intercambiador de calor con agua.



5. Limpie la cubierta interior con un paño suave y humedecido.



6. Vuelva a insertar la cubierta interior en su posición original y a continuación bloquee las fijaciones.
7. Cierre la cubierta exterior.

**📄 NOTA**

Después de la limpieza, asegúrese de que las fijaciones están bloqueadas.

# Solución de problemas

## Verificaciones

Si la secadora funciona en forma anormal, primero consulte la lista de problemas en la tabla siguiente y pruebe las sugerencias.

Problema	Acción
No funciona.	<ul style="list-style-type: none"><li>• Asegúrese de que la puerta esté cerrada con traba.</li><li>• Asegúrese de que el cable de alimentación esté conectado a un tomacorriente que funcione.</li><li>• Controle los disyuntores o fusibles de su casa.</li><li>• Mantenga presionado <b>Inicio/Pausa (Hold to Start (sostenga para iniciar))</b> nuevamente si la puerta se abrió durante un ciclo.</li><li>• Limpie el filtro para pelusas.</li></ul>
No calienta.	<ul style="list-style-type: none"><li>• Controle los disyuntores o fusibles de su casa.</li><li>• Algunos ciclos no requieren calor. Verifique nuevamente el ciclo seleccionado.</li><li>• Revise el filtro de pelusa y el intercambiador de calor.</li><li>• Límpielos si es necesario.</li><li>• La secadora puede haberse desplazado a la fase de enfriamiento del ciclo.</li></ul>
No seca.	<ul style="list-style-type: none"><li>• Verifique todos los ítem anteriores y, además...</li><li>• Seque los artículos pesados y los livianos por separado.</li><li>• Es posible que sea necesario volver a colocar los artículos grandes y voluminosos, como las cobijas o los edredones, para garantizar un secado uniforme.</li><li>• Asegúrese de que la lavadora esté drenando en forma correcta y extrayendo el agua de la carga adecuadamente.</li><li>• Es posible que la carga sea demasiado pequeña como para secarse correctamente. Agregue algunas toallas y reinicie la secadora.</li><li>• Es posible que la carga sea demasiado grande como para secarse correctamente. Retire algunas prendas y vuelva poner en funcionamiento la secadora.</li><li>• Limpie el filtro de pelusa y el intercambiador de calor.</li></ul>
Hace ruido.	<ul style="list-style-type: none"><li>• Verifique si en la carga hay objetos tales como monedas, botones flojos, clavos, etc. Retírelos de inmediato.</li><li>• Asegúrese de que la secadora esté correctamente nivelada tal como se describe en las instrucciones de instalación.</li><li>• Es normal que la secadora haga un zumbido pues el aire se mueve a gran velocidad a través de la tina, del abanico o del sistema para drenar el agua.</li></ul>



Problema	Acción
No seca de manera uniforme.	<ul style="list-style-type: none"> <li>• Es posible que las costuras, los bolsillos y otras áreas resistentes similares no se sequen por completo cuando el resto de la carga ha llegado al nivel de secado seleccionado. Esto es normal. Puede elegir un nivel de secado más alto o un ciclo que incluya un nivel de secado más alto.</li> <li>• Si se seca un artículo pesado con una carga liviana, por ejemplo una toalla con sábanas, es posible que el artículo pesado no esté completamente seco cuando el resto de la carga alcance el nivel de secado seleccionado.</li> <li>• Para obtener mejores resultados, seque los artículos pesados y los livianos por separado.</li> </ul>
Pelusa en las prendas.	<ul style="list-style-type: none"> <li>• Limpie el filtro para pelusas antes de cada carga. Para la ropa que naturalmente acumula pelusas, limpie el filtro durante el ciclo.</li> <li>• Algunas telas producen pelusa (por ejemplo, una toalla de algodón blanco con mucho pelo) y deben secarse por separado de las prendas que atrapan pelusa (por ejemplo, un par de pantalones de lino negro).</li> <li>• Divida las cargas grandes en cargas más pequeñas para el secado.</li> <li>• Revise bien los bolsillos antes de secar las prendas, luego séquelas.</li> <li>• Quite las pelusas de adentro del tambor antes del secado.</li> </ul>
Prendas arrugadas después de WRINKLE RELEASE (ANTIARRUGAS).	<ul style="list-style-type: none"> <li>• Funciona mejor con cargas pequeñas de 1 a 4 prendas.</li> <li>• Cargue menos prendas. Cargue prendas similares.</li> </ul>
Tiempo prolongado.	<ul style="list-style-type: none"> <li>• Secado con sensor detecta automáticamente la humedad de la carga y apaga la secadora cuando alcanza el nivel de secado seleccionado. El tiempo de secado puede variar de acuerdo con el tipo y la cantidad de prendas. Consulte la tabla de ciclos para obtener referencias.</li> </ul>

Si el problema persiste, comuníquese con un centro de servicio local de Samsung.

# Solución de problemas

## Códigos de información

Si la secadora no funciona bien, puede ver un código de información en el panel de la pantalla. Para determinar qué debe hacer, consulte la lista de códigos en la tabla siguiente y pruebe las sugerencias.

Código		Acción
tC	Problema en el sensor de temperatura del aire	Limpie el filtro de pelusa y/o el intercambiador de calor. Si no se soluciona, llame al servicio técnico.
tC5	Problema en el sensor de temperatura del compresor	Espere 2 o 3 minutos. Encienda la alimentación y reinicie.
dC	La secadora funciona con la puerta abierta	Cierre la puerta y reinicie. Si no se soluciona, llame al servicio técnico.
HC	Sobrecalentamiento del compresor	Comuníquese con el servicio técnico.
5C	Depósito de agua lleno La bomba de desagüe no funciona	Vacíe el depósito de agua, encienda la alimentación y reinicie. Si no se soluciona, llame al servicio técnico.
AC6	Compruebe la comunicación entre la placa base principal y del inversor.	<ul style="list-style-type: none"><li>• Según cuál sea el estado, es posible que la secadora recupere automáticamente el funcionamiento normal.</li><li>• Apague la secadora y vuelva a encenderla. Después reinicie el ciclo.</li><li>• Si el código de información sigue apareciendo, llame al centro de servicio.</li></ul>
3C	Revise el funcionamiento del motor.	<ul style="list-style-type: none"><li>• Pruebe reiniciar el ciclo.</li><li>• Si el código de información sigue apareciendo, llame al centro de servicio.</li></ul>





Si un código de información sigue apareciendo en la pantalla, comuníquese con un centro de servicio de Samsung.

# Especificaciones

## Tabla de indicaciones sobre la tela

Los siguientes símbolos ofrecen indicaciones acerca de las prendas. La etiqueta de indicaciones de la prenda incluye símbolos para secado, blanqueado, planchado y limpieza en seco. El uso de símbolos garantiza la consistencia entre los fabricantes textiles de artículos nacionales e importados. Siga las indicaciones de la etiqueta para optimizar la vida útil de la prenda y reducir los problemas del lavado.

### Ciclo de lavado

	Normal
	Plancha permanente/ Antiarrugas/Control de arrugas
	Prendas suaves / delicadas
	Lavado a mano




### Temperatura del agua

...	Caliente
..	Tibia
.	Fría



### NOTA

La tabla de la temperatura del agua presenta las temperaturas del agua del lavado apropiadas para diversas prendas. El rango de temperatura es de 106 - 126 °F (41 - 52 °C) para Caliente, 84 - 106 °F (29 - 41 °C) para Tibia y 61 - 84 °F (16 - 29 °C) para Fría. (La temperatura del agua del lavado debe alcanzar un mínimo de 61 °F (16 °C) para que se active el detergente y se logre un lavado eficaz.)




### Blanqueador

	Cualquier blanqueador (cuando sea necesario)
	Solo blanqueador sin cloro (protección del color) (si es necesario)
	Secar en secadora






### Normal

	Plancha permanente/ Antiarrugas/Control de arrugas
	Prendas suaves / delicadas

### Instrucciones especiales

	Secar colgado/tender
	Colgar para que escurra
	Secar en posición horizontal

### Secado con calor







	Alta
	Media
	Baja
	Cualquier calor
	Sin calor/aire

# Especificaciones






## Temperaturas de secado con plancha o vapor

	Alta
	Media
	Baja

## Símbolos de advertencia para el lavado

	No lavar
	No retorcer
	No usar blanqueador
	No secar en secadora
	Sin vapor (agregado a la plancha)
	No planchar

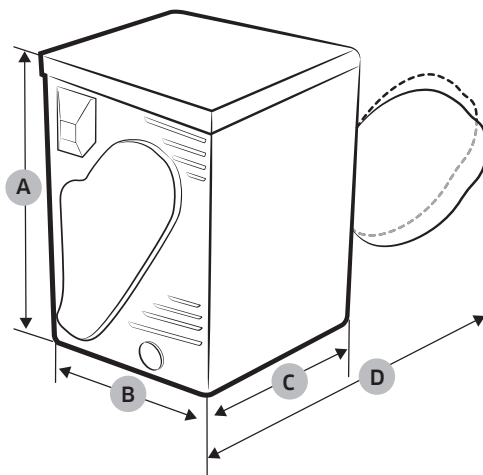
## Limpiar en seco

	Limpiar en seco
	No limpiar en seco
	Secar colgado/tender
	Colgar para que escurra
	Secar en posición horizontal

## Protección del medio ambiente

Este electrodoméstico se fabrica con materiales reciclables. Si decide desechar este electrodoméstico, siga la normativa local relacionada con la eliminación de desechos. Corte el cable de alimentación para que el electrodoméstico no pueda conectarse a una fuente de alimentación. Quite la puerta para que los animales y los niños pequeños no puedan quedar atrapados dentro del electrodoméstico.

## Hoja de especificaciones



Tipo		Secadora carga frontal
Dimensiones	A. Altura	33.5" (850 mm)
	B . Ancho	23.6" (600 mm)
	C. Profundidad	25.6" (650 mm)
	D. Profundidad con la puerta abierta 90°	44.3" (1125 mm)
Peso neto		110 lb (50 kg)
Requisitos eléctricos	240 V / 60 Hz	800 W
Temperatura permitida		5 -35 °C

# Especificaciones

## Tabla de ciclos

### NOTA

Para obtener los mejores resultados, siga las recomendaciones sobre el tamaño de la carga para cada ciclo de secado.

- Carga grande: Llene  $\frac{3}{4}$  del tambor. No agregue prendas por encima de este nivel para que puedan dar vueltas con libertad.
- ◐ Carga media: Llene  $\frac{1}{2}$  del tambor.
- Carga pequeña: Coloque de 3 a 5 prendas y no llene más de  $\frac{1}{4}$  del tambor.

Ciclo		Prendas recomendadas	Tamaño de la carga	Dry Level (Nivel de Secado)
Sensor Dry (Secado con sensor)	NORMAL	Algodón, ropa de trabajo, ropa de cama y de mesa, cargas mixtas	●	Secado Normal (Ajustable)
	MIXED LOAD (CARGA MIXTA) (DV22N685*H*)	Cargas mixtas de prendas de algodón y telas sintéticas.	◐	Secado Normal (Ajustable)
	HEAVY DUTY (CARGA PESADA)	Telas resistentes, tales como jeans, pana o ropa de trabajo pesado	●	Secado Normal (Ajustable)
	SMALL LOAD (CARGA PEQUEÑA) (DV22N685*H*)	Se usa para secar rápidamente una carga pequeña (Peso máximo: 3lb)	○	Secado Normal (Ajustable)
	SHIRTS (CAMISAS)	Para camisas o blusas sin arrugas, hechas de fibras sintéticas o tejido mixto.	○	Secado Normal (Ajustable)
	ACTIVE WEAR (ROPA DEPORTIVA)	Prendas impermeables, prendas de entrenamiento, ropa deportiva	◐	Secado Normal (Sin cambios)
	TOWELS (TOALLAS)	Toallas de baño y prendas similares	●	Secado Normal (Ajustable)
	PERM PRESS (PLANCHADO PERMANENTE)	Camisas, telas sintéticas, tejidos, prendas de algodón sin arrugas y telas con planchado	◐	Secado Normal (Ajustable)
	DELICATES (DELICADOS)	Ropa interior, blusas, lencería	◐	Secado Normal (Ajustable)
	WOOL (LANA)	Solo para lana lavable y secada a máquina. (cantidad máxima: 3 lb)	○	Secado Normal (Sin cambios)
Manual Dry (Secado Manual)	40' EXPRESS (RÁPIDO 40')	Carga pequeña	○	-
	TIME DRY (TIEMPO DE SECADO)	Cualquier carga	●	-
	AIR FLUFF (TEMP. AMBIENTE)	Espuma, goma, plástico	◐	-
	REFRESH (REFRESCAR)	Camisas, pantalones, almohadas	○	-

**NOTA**

- : configurado de fábrica, ●: se puede seleccionar

Ciclo		Ajuste del nivel de secado		
		More (Más)	Normal	Less (Menos)
Sensor Dry (Secado con sensor)	NORMAL	●	●	●
	MIXED LOAD (CARGA MIXTA) (DV22N685*H*)	●	●	●
	HEAVY DUTY (CARGA PESADA)	●	●	●
	SMALL LOAD (CARGA PEQUEÑA) (DV22N685*H*)	●	●	●
	SHIRTS (CAMISAS)	●	●	●
	ACTIVE WEAR (ROPA DEPORTIVA)	-	●	-
	TOWELS (TOALLAS)	●	●	●
	PERM PRESS (PLANCHADO PERMANENTE)	●	●	●
	DELICATES (DELICADOS)	●	●	●
Manual Dry (Secado manual)	WOOL (LANA)	-	-	●
	40' EXPRESS (RÁPIDO 40')	-	-	-
	TIME DRY (TIEMPO DE SECADO)	-	-	-
	AIR FLUFF (TEMP. AMBIENTE)	-	-	-
	REFRESH (REFRESCAR)	-	-	-

Ciclo		Damp Alert (Prendas Secas)	Wrinkle Prevent (Prevenir Arrugas)	Adjust Time (Ajustar tiempo)
Sensor Dry (Secado con sensor)	NORMAL	●	●	-
	MIXED LOAD (CARGA MIXTA) (DV22N685*H*)	●	●	-
	HEAVY DUTY (CARGA PESADA)	●	●	-
	SMALL LOAD (CARGA PEQUEÑA) (DV22N685*H*)	●	●	-
	SHIRTS (CAMISAS)	●	●	-
	ACTIVE WEAR (ROPA DEPORTIVA)	-	●	-
	TOWELS (TOALLAS)	●	●	-
	PERM PRESS (PLANCHADO PERMANENTE)	●	●	-
	DELICATES (DELICADOS)	●	●	-
Manual Dry (Secado manual)	WOOL (LANA)	-	●	-
	40' EXPRESS (RÁPIDO 40')	-	●	●
	TIME DRY (TIEMPO DE SECADO)	-	●	●
	AIR FLUFF (TEMP. AMBIENTE)	-	●	●
	REFRESH (REFRESCAR)	-	●	●

Especificaciones

# Normas regulatorias

---

## Aviso para FCC

---

### PRECAUCIÓN

Todos los cambios y modificaciones que no cuenten con la aprobación expresa de la parte responsable del cumplimiento invalidará la autoridad del usuario para operar el equipo.

Este dispositivo cumple con el Apartado 15 de las Normas de la FCC. El funcionamiento se encuentra sujeto a las siguientes dos condiciones:

1. Este electrodoméstico no puede causar interferencia dañina, y
2. Este electrodoméstico debe aceptar la recepción de cualquier interferencia, incluidas aquellas que puedan causar un funcionamiento indeseado.

Producto disponible en el mercado de Estados Unidos/Canadá, solo puede operarse el canal 1-11. No es posible seleccionar otros canales.

### DECLARACIÓN DE LA FCC:

Este equipo ha sido sometido a pruebas y se ha determinado que se encuentra dentro de los límites para los dispositivos digitales clase B, de acuerdo con el apartado 15 de las Normas de la FCC. Dichos límites han sido diseñados para proporcionar una protección razonable contra la interferencia dañina en una instalación residencial.

Este equipo genera, utiliza y puede irradiar energía de frecuencias de radio y, si no se lo instala y utiliza de acuerdo con las instrucciones, puede provocar interferencia dañina a las comunicaciones de radio. Sin embargo, no existe garantía alguna de que no habrá interferencia en una instalación determinada. Si el equipo provoca interferencia dañina a la recepción de radio o televisión, que

puede determinarse al encender y apagar el equipo, se sugiere que el usuario trate de corregir la interferencia mediante una o más de las siguientes medidas:

- Reorientar o reubicar la antena receptora
- Aumentar la distancia entre el equipo y el receptor
- Conecte el equipo a un tomacorriente que esté en un circuito diferente al circuito en el que está conectado el receptor
- Consultar al distribuidor o a un técnico experimentado en radio/TV para obtener ayuda.

### DECLARACIÓN DE LA FCC SOBRE LA EXPOSICIÓN A LA RADIACIÓN:

Este equipo cumple con los límites de exposición a la radiación establecidos por la FCC para un entorno no controlado. Este equipo debe instalarse y utilizarse con una distancia mínima de 20cm entre el radiador y su cuerpo. Este electrodoméstico y su/s antena/s no deben ubicarse ni utilizarse junto con ninguna otra antena o transmisor.



## Aviso IC

El término "IC" antes del número de certificación de radio significa únicamente que se han cumplido las especificaciones técnicas del Ministerio de Industria del Canadá. El funcionamiento se encuentra sujeto a las siguientes dos condiciones:

1. Este dispositivo no podrá causar interferencia, y
2. Este electrodoméstico debe aceptar cualquier interferencia, incluidas aquellas que puedan causar un funcionamiento indeseado del dispositivo.

Este aparato digital Clase B cumple con la norma canadiense ICES-003.

Producto disponible en el mercado de Estados Unidos/Canadá, solo puede operarse el canal 1-11. No es posible seleccionar otros canales.

### DECLARACIÓN DE LA IC SOBRE LA EXPOSICIÓN A LA RADIACIÓN:

Este equipo cumple con los límites de exposición a la radiación RSS-102 establecidos por la IC para un entorno no controlado. Este equipo debe instalarse y utilizarse con una distancia mínima de 20 cm entre el radiador y su cuerpo. Este electrodoméstico y su/s antena/s no deben ubicarse ni utilizarse junto con ninguna otra antena o transmisor.

## Aviso de licencia de código abierto

El software incluido en este producto contiene software de código abierto. Puede obtener el correspondiente código fuente completo para un periodo de tres años a partir del último envío de este producto enviando un correo electrónico a <mailto:oss.request@samsung.com>.

Asimismo es posible obtener el correspondiente código fuente completo en un soporte físico como un CD-ROM; se le cobrará una tasa mínima.

La siguiente URL [http://opensource.samsung.com/opensource/SMART\\_AT\\_051/seq/0](http://opensource.samsung.com/opensource/SMART_AT_051/seq/0) lleva a la página de descarga del código fuente disponible y a la información de licencia de código abierto relacionada con este producto. Esta oferta es válida para quienes reciban esta información.



# Garantía limitada (Estados Unidos)

---

## SECADORA SAMSUNG

---

### **GARANTÍA LIMITADA AL COMPRADOR CONSUMIDOR ORIGINAL CON PRUEBA DE COMPRA**

El presente producto de la marca SAMSUNG, tal como lo provee y distribuye SAMSUNG ELECTRONICS AMERICA, INC. (SAMSUNG) y lo entrega como nuevo, en su caja de cartón original al comprador consumidor original, está garantizado por SAMSUNG contra defectos de fabricación de los materiales o la mano de obra durante el período limitado de la garantía, a partir de la fecha original de compra, de:

Un (1) año para todas las piezas y la mano de obra

La presente garantía limitada es válida únicamente para productos comprados y usados en Estados Unidos que fueron instalados, operados y mantenidos de acuerdo con las instrucciones adjuntas o provistas con el producto. Para recibir el servicio técnico en garantía, el comprador debe comunicarse con SAMSUNG en la dirección o el teléfono que figuran más abajo con el fin de que se determine el problema y los procedimientos del servicio. El servicio técnico de la garantía solo puede ser prestado por un centro de servicio técnico autorizado de SAMSUNG. Para recibir el servicio técnico en garantía debe presentarse la factura original de compra fechada cuando así lo solicite SAMSUNG o el Centro de Servicio autorizado Samsung como prueba de compra.

Samsung brindará servicio técnico a domicilio dentro del territorio contiguo de Estados Unidos durante el período de garantía sin cargo, sujeto a la disponibilidad de los centros de servicio autorizados por SAMSUNG dentro de la zona geográfica del cliente. Si el servicio técnico a domicilio no está disponible, SAMSUNG puede, a su elección, optar por transportar el producto hasta y desde un centro de servicio técnico autorizado. Si el producto está ubicado en una zona en la que no se encuentra disponible ningún centro de servicio autorizado por SAMSUNG, usted podrá ser responsable del cargo por transporte o se le podrá requerir que transporte el producto a un centro de servicio autorizado por SAMSUNG para recibir asistencia técnica.

Para recibir el servicio técnico a domicilio, el producto no debe presentar obstrucciones y debe ser accesible para el agente del servicio técnico.

Durante el periodo de garantía aplicable, el producto se reparará o se reemplazará, o se devolverá el importe de compra, a la entera discreción de SAMSUNG. SAMSUNG podrá usar piezas nuevas o reacondicionadas para la reparación del producto, o reemplazar el producto por un producto nuevo o reacondicionado. La vigencia de la garantía de las piezas y los productos reemplazados será por el período restante de la garantía original del producto o por un período de noventa (90) días, el que sea el más largo. Todas las piezas y los productos reemplazados son propiedad de SAMSUNG y deben ser devueltos a SAMSUNG.

---

La presente garantía limitada cubre defectos de fabricación de los materiales o la mano de obra que ocurran durante el uso normal y doméstico de este producto y no cubrirá lo siguiente: daños que ocurran durante el envío, entrega e instalación y usos para los cuales el presente producto no fue destinado; daños causados por modificación o alteración no autorizada del producto; producto cuyos números de serie originales de fábrica fueron eliminados, desfigurados, alterados en algún modo o que no se puedan determinar fácilmente; daños cosméticos incluyendo rayones, hendiduras, abolladuras y otros daños al acabado del producto; daño causado por abuso o mal uso, plagas, accidente, incendio, inundación u otros casos fortuitos o de fuerza mayor; daño causado por el uso de equipo, utilidades, servicios, piezas, suministros, accesorios, aplicaciones, instalaciones, reparaciones, cableado externo o conectores no provistos ni autorizados por SAMSUNG; daño causado por línea eléctrica o voltaje incorrecto, fluctuaciones y sobretensión; daño causado por no operar y mantener el producto de acuerdo con las instrucciones; instrucción a domicilio acerca de cómo usar el producto; y servicio técnico para corregir una instalación que no cumpla con los códigos eléctricos o de plomería o corrección de cableado eléctrico o tuberías (es decir, cableado doméstico, fusibles o mangueras de entrada de agua). El costo de reparación o reemplazo bajo estas circunstancias excluidas será responsabilidad del cliente.

Las visitas de un proveedor de servicio técnico autorizado para explicar funciones, mantenimiento o instalación del producto no se cubren bajo esta garantía limitada. Comuníquese con Samsung al número que figura abajo para obtener ayuda con cualquiera de estos problemas.

### **EXCLUSIÓN DE GARANTÍAS IMPLÍCITAS**

LAS GARANTÍAS IMPLÍCITAS, INCLUYENDO GARANTÍAS IMPLÍCITAS DE COMERCIALIZACIÓN O APTITUD PARA UN PROPÓSITO EN PARTICULAR, ESTÁN LIMITADAS A UN AÑO O AL PERIODO MÁS CORTO PERMITIDO POR LA LEY. Algunos estados no permiten limitaciones en cuanto al periodo de vigencia de una garantía implícita, de tal forma que las limitaciones o exclusiones mencionadas tal vez no se apliquen a usted en particular. Esta garantía le otorga derechos específicos, e incluso usted también puede tener otros derechos que varían de un estado a otro.

# Garantía limitada (Estados Unidos)

---

## LIMITACIÓN DE RECURSOS

EL ÚNICO Y EXCLUSIVO RECURSO ES LA REPARACIÓN DEL PRODUCTO, EL REEMPLAZO DEL PRODUCTO O LA DEVOLUCIÓN DEL IMPORTE DE COMPRA, A DISCRECIÓN DE SAMSUNG, CONFORME A ESTA GARANTÍA LIMITADA. SAMSUNG NO SERÁ RESPONSABLE POR DAÑOS ESPECIALES, IMPREVISTOS O DERIVADOS, INCLUYENDO ENTRE OTROS, TIEMPO FUERA DEL TRABAJO, HOTELES Y/O COMIDAS EN RESTAURANTES, GASTOS DE REMODELACIÓN, PÉRDIDAS DE INGRESOS O GANANCIAS, INCAPACIDAD DE GENERAR AHORROS U OTROS BENEFICIOS INDEPENDIEMENTE DE LA TEORÍA LEGAL EN LA QUE SE BASE EL RECLAMO, E INCLUSO SI SAMSUNG HA SIDO ADVERTIDA DE LA POSIBILIDAD DE DICHOS DAÑOS. Algunos estados no permiten la exclusión o la limitación de daños imprevistos o derivados, por lo que las limitaciones o exclusiones mencionadas tal vez no se apliquen a usted en particular. Esta garantía le otorga derechos específicos, e incluso usted también puede tener otros derechos que varían de un estado a otro.

SAMSUNG no garantiza el funcionamiento ininterrumpido o sin errores del producto. Ningún aval o garantía otorgados por otra persona, compañía o corporación con respecto al presente producto revestirá carácter vinculante para SAMSUNG.

Para obtener el servicio de garantía, comuníquese con SAMSUNG en:

**Samsung Electronics America, Inc.**

85 Challenger Road

Ridgefield Park, NJ 07660

1-800-SAMSUNG (726-7864)

[www.samsung.com/us/support](http://www.samsung.com/us/support)

# Garantía (CANADÁ)

---

## SECADORA SAMSUNG

---

### **GARANTÍA LIMITADA PARA EL COMPRADOR ORIGINAL**

El presente producto de la marca SAMSUNG, tal como lo provee y distribuye SAMSUNG ELECTRONICS CANADA, INC. (SAMSUNG) y lo entrega como nuevo, en su caja de cartón original al comprador o consumidor original, está garantizado por SAMSUNG contra defectos de fabricación de los materiales y la mano de obra durante el período limitado de la garantía de:

- un (1) año para las piezas y la mano de obra

La presente garantía limitada comienza en la fecha original de compra y es válida únicamente para productos comprados y usados en Canadá.

Para recibir el servicio técnico de la garantía, el comprador debe comunicarse con SAMSUNG con el fin de que se determine el problema y los procedimientos del servicio. El servicio técnico de la garantía solo puede ser prestado por un centro de servicio técnico autorizado de SAMSUNG.

Se debe presentar la factura de compra original como prueba de compra a SAMSUNG o al servicio técnico autorizado de SAMSUNG.

SAMSUNG prestará servicio técnico a domicilio durante el período de la garantía sin costo, sujeto a la disponibilidad dentro de Canadá.

El servicio técnico a domicilio no está disponible en todas las áreas.

Para recibir el servicio técnico a domicilio, el producto no debe presentar obstrucciones y debe ser accesible para el agente del servicio técnico.

Si el servicio técnico no está disponible, SAMSUNG puede optar por transportar el producto hasta y desde el servicio técnico autorizado.

SAMSUNG reparará, reemplazará el producto u ofrecerá un reembolso a su criterio y sin cargo adicional, tal como se establece en la presente garantía, con piezas o productos nuevos o reacondicionados si se verifica que es defectuoso durante el período limitado de la garantía especificado anteriormente.

Todas las piezas y los productos reemplazados pasan a ser propiedad de SAMSUNG y deben ser devueltos a SAMSUNG.

Las piezas y los productos reemplazados asumen la garantía original que resta, o noventa (90) días, el período que sea el más prolongado.

# Garantía (CANADÁ)

---

La presente garantía limitada cubre defectos de fabricación de los materiales y la mano de obra encontrados durante el uso normal y doméstico de este producto y no será válida para lo siguiente: daños que ocurran durante el envío; entrega e instalación; aplicaciones y usos para los cuales el presente producto no fue destinado; números de serie o de producto alterados; daño cosmético o acabado exterior; accidentes, abuso, descuido, incendio, inundación, caída de rayos, u otros casos fortuitos o de fuerza mayor; uso de productos, equipos, sistemas, utilidades, servicios, piezas, suministros, accesorios, aplicaciones, instalaciones, reparaciones, cableado externo o conectores no provistos ni autorizados por SAMSUNG que dañen este producto o que acarreen problemas en el servicio; voltaje de la línea eléctrica incorrecto, fluctuaciones y sobretensión; ajustes del cliente e incumplimiento de lo establecido en el manual de instrucciones, instrucciones de mantenimiento y ambientales que están cubiertas y recomendadas en el manual de instrucciones; traslado y reinstalación del producto; problemas causados por plagas.

La presente garantía limitada no cubre problemas derivados de la corriente, el voltaje o el suministro eléctrico incorrectos, las bombillas de luz, los fusibles de la casa, el cableado de la casa, el costo del servicio técnico para recibir instrucciones o corregir errores en la instalación.

SAMSUNG no garantiza el funcionamiento ininterrumpido o sin errores del producto.

SALVO LO ESTABLECIDO EN LA PRESENTE GARANTÍA, NO EXISTEN GARANTÍAS SOBRE EL PRESENTE PRODUCTO, YA SEAN EXPRESAS O TÁCITAS, Y SAMSUNG DESCONOCE TODAS LAS GARANTÍAS QUE INCLUYEN, AUNQUE NO EN CARÁCTER TAXATIVO, CUALQUIER GARANTÍA TÁCITA DE QUE EL PRODUCTO SE ENCUENTRA EN CONDICIONES APTAS PARA LA VENTA, DE DEFRAUDACIÓN DE DERECHOS O DE QUE EL PRODUCTO SE ADECUA A LOS FINES ESPECÍFICOS PARA LOS CUALES SE ADQUIERE.

NINGÚN AVAL O GARANTÍA OTORGADOS POR PERSONA, COMPAÑÍA O CORPORACIÓN ALGUNA CON RESPECTO AL PRESENTE PRODUCTO REVESTIRÁ CARÁCTER VINCULANTE PARA SAMSUNG.

SAMSUNG NO SERÁ RESPONSABLE POR PÉRDIDAS DE INGRESOS O LUCRO CESANTE, IMPOSIBILIDAD DE GENERAR AHORROS U OBTENER OTROS BENEFICIOS, O CUALQUIER DAÑO DERIVADO DE CIRCUNSTANCIAS ESPECIALES, DAÑO IMPREVISTO O DERIVADO CAUSADO POR EL USO, USO INCORRECTO, O INCAPACIDAD PARA USAR EL PRESENTE PRODUCTO, INDEPENDIENTEMENTE DE LA TEORÍA LEGAL EN QUE SE FUNDE EL RECLAMO Y AUN CUANDO SE LE HAYA NOTIFICADO A SAMSUNG DE LA POSIBILIDAD DE TALES DAÑOS.

NINGÚN RESARCIMIENTO DE NINGUNA ÍNDOLE CONTRA SAMSUNG SUPERARÁ EL MONTO DE COMPRA DEL PRODUCTO VENDIDO POR SAMSUNG Y CAUSANTE DEL PRESUNTO DAÑO.

---

SIN LIMITAR LO PRECEDENTE, EL COMPRADOR ASUME TODO EL RIESGO Y LA RESPONSABILIDAD POR PÉRDIDA, DAÑO O LESIÓN AL COMPRADOR Y A LOS BIENES DEL COMPRADOR Y A TERCEROS Y A SUS BIENES DERIVADOS DEL USO, USO INCORRECTO O INCAPACIDAD PARA USAR EL PRESENTE PRODUCTO.

LA PRESENTE GARANTÍA LIMITADA NO SE EXTENDERÁ A NINGUNA PERSONA DISTINTA DEL COMPRADOR

ORIGINAL DEL PRESENTE PRODUCTO, ES INTRANSFERIBLE Y ESTABLECE SU EXCLUSIVA REPARACIÓN.

Algunas provincias no permiten limitaciones en cuanto al plazo de una garantía implícita, o la exclusión o limitación de daños imprevistos o derivados, por lo que las limitaciones o exclusiones antedichas pueden no aplicarse en su caso.

Esta garantía le otorga derechos específicos, y además puede tener otros derechos que varían según la provincia en la que se encuentre.

Para recibir servicio técnico de garantía, comuníquese con SAMSUNG a:

**Samsung Electronics Canada Inc.**

2050 Derry Road West,

Mississauga, Ontario L5N 0B9 Canada

1-800-SAMSUNG (726-7864)

[www.samsung.com/ca/support](http://www.samsung.com/ca/support) (English)

[www.samsung.com/ca\\_fr/support](http://www.samsung.com/ca_fr/support) (French)

Las visitas del personal de servicio técnico para explicar funciones, mantenimiento o instalación no están cubiertas por la garantía.

Póngase en contacto con su agente del centro de llamadas Samsung para que le asesore.



Scan the QR code\* or visit  
[www.samsung.com/spsn](http://www.samsung.com/spsn)  
 to view our helpful  
 How-to Videos and Live Shows

\*Requires reader to be installed on your smartphone

Scan this with your smartphone

**¿TIENE PREGUNTAS O COMENTARIOS?**

PAÍS	LLAME AL	O VISITE NUESTRA PÁGINA WEB
U.S.A	1-800-SAMSUNG (726-7864) 1-844-SAM-PAYS (726-7297)	<a href="http://www.samsung.com/us/support">www.samsung.com/us/support</a>
CANADA	1-800-SAMSUNG (726-7864) 1-844-SAM-PAYS (726-7297)	<a href="http://www.samsung.com/ca/support">www.samsung.com/ca/support</a> (English) <a href="http://www.samsung.com/ca_fr/support">www.samsung.com/ca_fr/support</a> (French)



DC68-03650E-05