

Dishwasher installation guide



These installation instructions are intended for use by qualified installers.

If you are having problems installing this dishwasher
Please call : **1-800-SAMSUNG (726-7864)**
for assistance : www.samsung.com

imagine the possibilities







Thank you for purchasing this Samsung product.

safety instructions

Throughout this manual, you'll see Warning and Caution notes. These warnings, cautions, and the important safety instructions that follow do not cover all possible conditions and situations that may occur. It's your responsibility to use common sense, caution, and care when installing, maintaining, and operating the dishwasher. Samsung is not liable for damages resulting from improper use.

IMPORTANT SAFETY INSTRUCTIONS

What the icons and signs in this installation guide mean:

 WARNING	Hazards or unsafe practices that may result in severe personal injury or death.
 CAUTION	Hazards or unsafe practices that may result in personal injury or property damage.
 CAUTION	To reduce the risk of fire, explosion, electric shock, or personal injury when using the dishwasher, follow these basic safety precautions:
	Follow directions explicitly.
	Make sure the machine is grounded to prevent electric shock.
	Call the service center for help.

These warning signs are here to prevent injury to you and others.

Please follow them explicitly.

After reading this section, keep it in a safe place for future reference.

 Read all instructions before using the appliance.

Install and store the dishwasher inside, away from exposure to weather.



Do not install the dishwasher near electrical components. Keep the dishwasher away from open flames.

Do NOT install the dishwasher on a carpet as this is a fire hazard.

Do NOT install the dishwasher in a location where the water may freeze (where the temperature falls below 32 °F (0 °C)). Frozen water in the hoses or pipes may damage the dishwasher.

As with all equipment using electricity, water and moving parts, potential hazards exist. To safely operate this appliance, become familiar with its operation and exercise care when using it.



The dishwasher must be properly grounded. Never connect it to an ungrounded outlet.

Prior to removal of original dishwasher and the installation of your new unit, make sure to switch off your circuit breaker. Do not connect the dishwasher until you have completed the installation. Connecting the power cable is the last step when installing the dishwasher.

All wiring and grounding must be done in accordance with the electrical code applicable to the region.

GROUNDING INSTRUCTIONS

For a permanently connected appliance:

This appliance must be connected to grounded metal, a permanent wiring system, or an equipment-grounding conductor must be run with the circuit conductors and connected to the equipment-grounding terminal or lead on the appliance.

The dishwasher is very heavy. Do not attempt to move or carry a dishwasher alone. Two or more people are needed to move a dishwasher and avoid potential injuries.



If the power cable is damaged, it must be replaced by the manufacturer, a service agent or similarly qualified person in order to avoid a hazard.



Do not touch the power cable with wet hands.



Do not connect another appliance to the same power outlet as the dishwasher.

Make sure to use a new water supply line. Old lines are susceptible to breakage because they become hardened and may cause property damage due to a water leakage.

The dishwasher must be connected to a hot water supply with a temperature between 120 °F (49 °C) ~ 149 °F (65 °C). This temperature range provides the best washing result and shortest cycle time. Temperature should not exceed 149 °F (65 °C) to prevent damage to dishes.

Ensure that the water supplied to the dishwasher does not freeze. Frozen water can damage the hoses, valves, pump, or other components.

Certified residential dishwashers are not intended for licensed food establishments. (NSF/ANSI Standard 184 for Residential Dishwashers)

For a full list of safety information, please refer to the User Manual.

BEFORE INSTALLING THE DISHWASHER



WARNING



Tip-Over Hazard

- Do not use the dishwasher until it is correctly installed.
- Do not push down on the door when it is open.
- Do not place excessive weight on the open door.



Electric Shock Hazard

Failure to follow these instructions can result in death, fire, or electric shock:

- Electrically ground the dishwasher
- Connect the ground wire to the green ground connector in the junction box.
- Do not use an extension cord.

To reduce the risk of electric shock, fire, or injury to persons, the installer must ensure that the dishwasher is completely enclosed at the time of installation.

contents

PREPARING THE DISHWASHER ENCLOSURE

5

- 5 Product dimensions
- 5 Enclosure dimensions

INSTALLING THE DISHWASHER

6

- 6 STEP 1 Check the parts and tools
- 8 STEP 2 Select the best location for the dishwasher
- 9 STEP 3 Check water supply requirements and cautions
- 10 STEP 4 Check the electrical requirements and cautions
- 11 STEP 5 Unpacking and inspecting the dishwasher
- 13 STEP 6 Preparing the dishwasher
- 14 STEP 7 Placing the dishwasher and connecting the hot water supply line
- 15 STEP 8 Leveling the dishwasher
- 16 STEP 9 Securing the dishwasher
- 17 STEP 10 Connecting the drain hose
- 20 STEP 11 Wiring connections
- 21 STEP 12 Completing the installation

SPECIFICATIONS

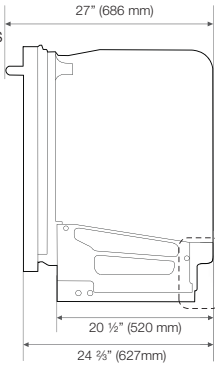
22

preparing the dishwasher enclosure

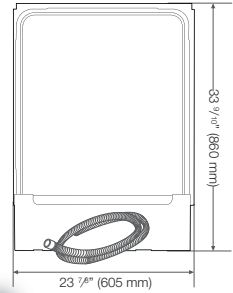
PRODUCT DIMENSIONS

Side view

DW80K7050 Series

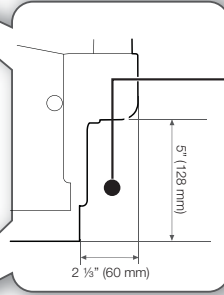
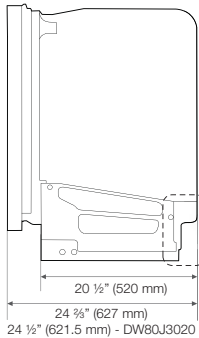


Rear view




Side view

DW80K5050 Series



The water supply line, power cable and drain hose should go through this space behind the dishwasher. Then, the power cable run in channels under the dishwasher to connections in the front.

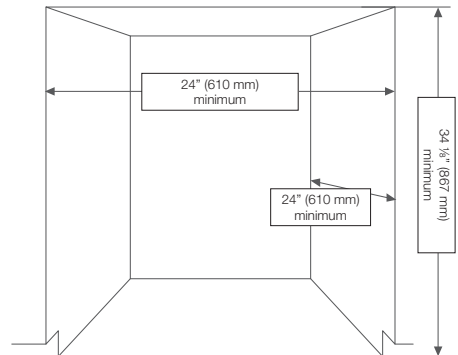
ENCLOSURE DIMENSIONS

 This dishwasher is designed to be enclosed on the top and on both sides by a standard residential kitchen cabinet unit.

The installation enclosure must be clean and free of any obstructions.

The enclosure must be at least 24 inches wide, 24 inches deep, and 34 1/8 inches high.

For the front door of the dishwasher to be flush with the leading edge of the counter top, the counter top must be at least 25 inches deep.



installing the dishwasher

Be sure that you or your installer follow these instructions closely so that the new dishwasher works properly and that you're not at risk of injury when washing dishes.

STEP 1 CHECK THE PARTS AND TOOLS

Before starting on the installation, prepare all the necessary tools and parts required to install the dishwasher. This will save installation time and simplify the installation process.

Parts required

Provided with the dishwasher. Check when you unbox the dishwasher in Step 5.



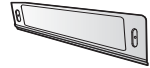
2 Installation Brackets



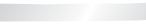
2 Flat Head Screws
(For the installation bracket)



2 Screws
(for the kick plate)



Kick Plate



Protective sticker

Not provided



Power cable



Twist on wire connector



Strain relief



Electrical tape & Standard duct tape



Hot water supply line



90° Fitting (3/4")



Tube fittings



Teflon® tape or sealing compound



Hose clamp



Air gap



Rubber connector



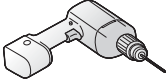


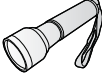

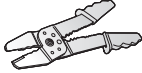
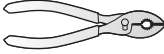

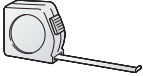



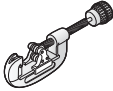
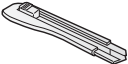



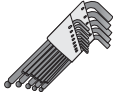
For the hot water supply line – We strongly recommend using 3/8" minimum O.D. copper tubing with a compression fitting or a flexible stainless steel braided hot water supply line.

[Warning: Do not use plastic tubing. Plastic tubing can deteriorate over time and cause a leak inside the tube fitting.]

You also need a 90° elbow with 3/8" N.P.T. external pipe threads on one end and a fitting sized to fit your hot water supply line (copper tubing/compression fitting or braided hose) on the other.

For the power cable, we recommend a jacketed 12-2 cable with ground. Note that some local codes may require the cable to have a BX style metal jacket.

Tools required

			
Electric drill	Safety glasses	Gloves	Flashlight
			
Adjustable wrench	Wire stripper	Pliers	Nipper
			
Tape measure	Pencil	Phillips screwdriver	Flat screwdriver
			
Tubing cutter	Cutting knife	Hole saw	Level
			
Torx t20	Hex L-wrench		

installing the dishwasher

New installation



If the dishwasher is a new installation, most of the installation work must be done before the dishwasher is moved into place.

Replacement


If the dishwasher is replacing an old dishwasher, you must check the existing dishwasher connections for compatibility with the new dishwasher. Replace the existing connections as necessary.

STEP 2 SELECT THE BEST LOCATION FOR THE DISHWASHER

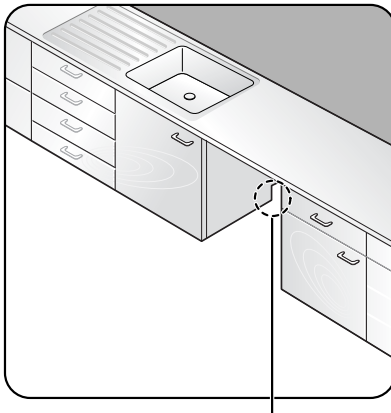
The following criteria are important to ensure the best location for the dishwasher:

- The location must have a solid floor that is able to support the weight of the dishwasher.
- The location must be near a sink with easy access to the water supply, drain, and electrical outlet.
-  For the drain to operate properly, the dishwasher should be installed within 9.8 ft (3 m) of the sink.
- The location must let you load your dishes into the dishwasher easily.
- The location must have sufficient space for the dishwasher door to open easily and provide enough space between the dishwasher and the cabinet sides (at least 0.1 in (2 mm)).
-  If the dishwasher is installed in a corner, ensure that the side of the dishwasher is more than 2 in. (50 mm) from the wall or cabinet to its right or left.
- The wall at the back must be free of obstructions.

If this is a new installation, follow these steps:

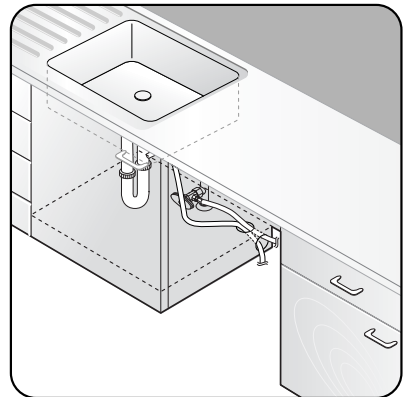
1. Using a 2 1/2 inch hole saw, cut a hole into the side of the cabinet that holds the sink as shown in Figure 1-1 below.
 2. If the base inside the sink cabinet is raised above the kitchen floor and is higher than the connections on the dishwasher, make a hole in the base inside the cabinet and in the cabinet side as shown in Figure 1-2.
-  Depending on where your electrical outlet is, you may need to cut a hole in the opposite cabinet side.

<Figure 1-1>



The hole for the water supply line, drain hose and power cables.

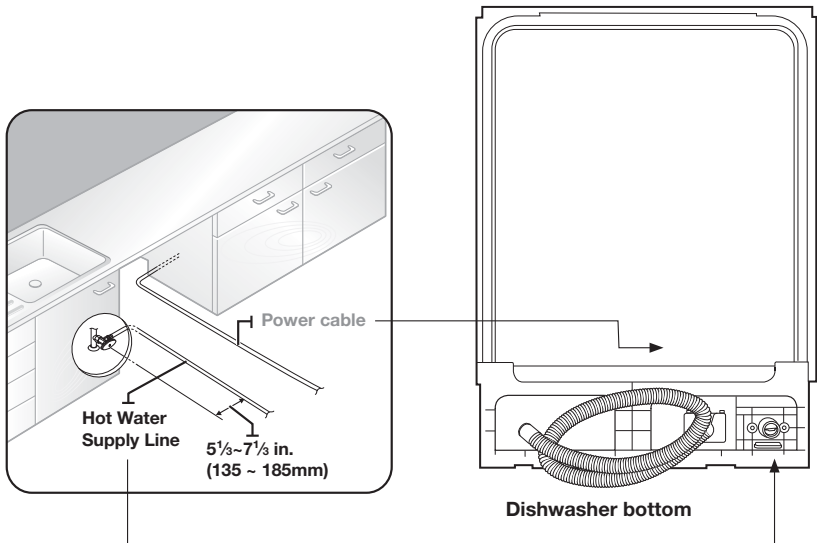
<Figure 1-2>



STEP 3 CHECK WATER SUPPLY REQUIREMENTS AND CAUTIONS

- The hot water supply line pressure must be between 20~120 psi (140~830 kPa).
- Adjust the water heater to deliver water between 120 °F (49 °C) ~ 149 °F (65 °C).
 - The dishwasher must be connected to a hot water supply between 120 °F (49 °C) ~ 149 °F (65 °C). This temperature range provides the best washing result and shortest cycle time. Temperature should not exceed 149 °F (65 °C) to prevent damage to dishes.
 - Ensure that the water supply valve is turned off before connecting the hot water supply line to the dishwasher.
 - Seal the hot water supply line connections using teflon tape or sealing compound to stop any water leakage.
 - The drain hose connected to the dishwasher must be run through the hole in the side wall so it can be connected to the drain outlet of the sink. When you install the dishwasher, ensure there is nothing on the drain hose and be careful not to tear it during the installation process.

<Figure 2>



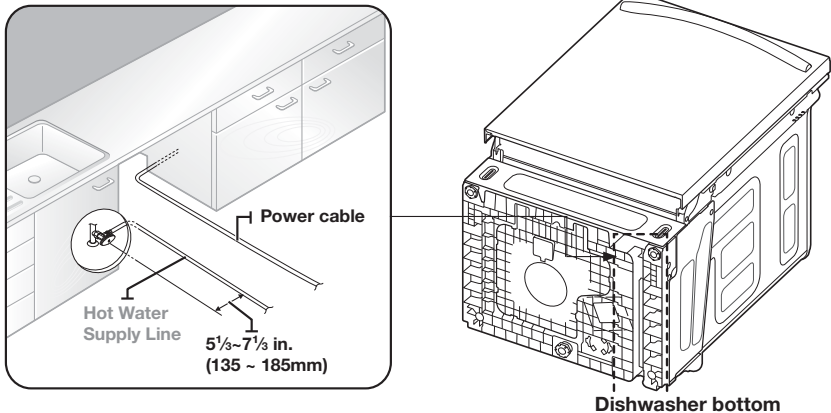
installing the dishwasher

STEP 4 CHECK THE ELECTRICAL REQUIREMENTS AND CAUTIONS

The electrical requirements for the dishwasher are as follows:

- In the United States, install in accordance with the National Electric Code/State and Municipal codes and/or local codes.
- In Canada, install in accordance with the Canadian Electric Code C22.1-latest edition/Provincial and Municipal codes and/or local codes.
- For cable direct connections.
 - Use flexible, armored or non-metallic sheathed, copper wire with a grounding wire that meets the wiring requirements for your local codes and ordinances.
 - Use the strain relief method provided with the wiring junction box or install a U.L.-listed/CSA-certified clamp connector to the wiring junction box. If using conduit, use a U.L.-listed/CSA-certified conduit connector.
- For power cord connections
 - The power supply cord must plug into a mating three prong, grounded outlet, located in the cabinet next to the dishwasher opening. The outlet must meet your local codes and ordinances. Use a U.L.-listed/CSA-certified power cord kit.
 - The dishwasher must be connected to an electrical supply that provides the voltage and amperage marked on the rating plate of the unit: 15 amps, 120 volts, 60Hz AC.
 - Ensure that the circuit breaker connected to the dishwasher is off.
 - The power cable must not extend more than 4 ft (1.2 m) from the side of the dishwasher.
 - Check with a qualified electrician or serviceman if you are unsure whether the dishwasher is properly connected.
 - Do not connect another appliance to the same power outlet as the dishwasher.
 - Before connecting the power cable to the dishwasher, ensure that there are no electrical hazards (which may result in fire, explosion, electric shock, or personal injury).
 - The power cable must pass through the channel on the bottom of the dishwasher as shown in Figure 3.

<Figure 3>

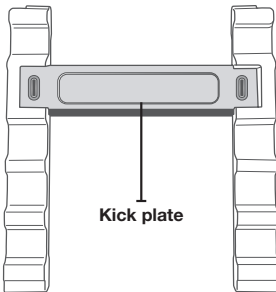


STEP 5 UNPACKING AND INSPECTING THE DISHWASHER

Unbox the dishwasher in an open area free of obstruction both around the carton and overhead. We recommend that you retain the carton and all of the packing materials until the dishwasher is fully installed and operational to ensure you have removed all the product's components from the carton prior to disposal.

Unboxing

1. Position the carton right-side-up with top arrows pointing upwards.
2. Unbuckle or cut the four straps securing the carton top.
3. Lift the top of the telescoping carton clear of the carton tray and the contents, and then turn it over and place it on the floor.
4. Put the straps and all of the packing materials from around the dishwasher inside the carton top, inspecting them for any signs of damage.
5. Locate and set aside the dishwasher's kick plate. The Kick plate is attached to packing material of the dishwasher.



6. Lift the dishwasher from the carton tray, and then place it on the floor. Put the tray into the carton top.
7. Remove the bag that protects the dishwasher during shipping.



CAUTION ALWAYS LIFT THE Dishwasher TO MOVE IT. Sliding it over rough surfaces can damage the dishwasher's feet and sliding the feet over finished surfaces can, in some cases, damage that finish or the underlying surface.

8. There is also packing inside the dishwasher that you may want to leave in place until the dishwasher is installed.
9. **DO NOT**, under any circumstances, remove the sound-absorbent padding that surrounds the exterior of the tub of the dishwasher.

Inspecting

Mechanical

1. Check the plastic base assembly to ensure that it is intact
2. Check the dishwasher's feet to ensure they are in place and can be adjusted so you can level and secure the dishwasher.
3. Check all the visible components on the bottom of the dishwasher to ensure they are intact and secure.
4. Check the door latch, the operation of the hinges, and confirm the door is properly secured to the dishwasher.

installing the dishwasher

Plumbing

1. Check the hot water connection on the front left-side of the base of the dishwasher. The mounting plate should be secured to the front of the base, the threads inside the connection should be smooth and shiny, and the area should be clean and free of any debris.
2. Check the plastic Brake and Sensor cases to ensure these assemblies are not cracked and that all connections are secure.
3. Check the drain hose for any holes or deformities that could allow a water leak during draining.

Electrical

1. Confirm the junction box cover is secured to the junction box on the front right-side of the base of the dishwasher.
2. Confirm the electrical box was not damaged during shipping and that it is secured to the base of the dishwasher.

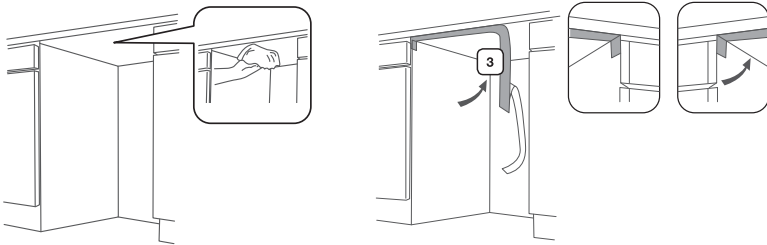
Appearance


1. Confirm there are no dents or scratches on the front of the dishwasher.
2. Check the edges of the doors for any roughness or cracking
3. Check the control panel to ensure it is clear and unscratched, and that all the control markers are in their proper places.

Parts

1. Confirm you have all the parts listed in Step 1 on page 6.

STEP 6 PREPARING THE DISHWASHER



1. Install the Protective sticker **3**.
 Attach the Protective sticker to the bottom of the counter top as shown in the picture.

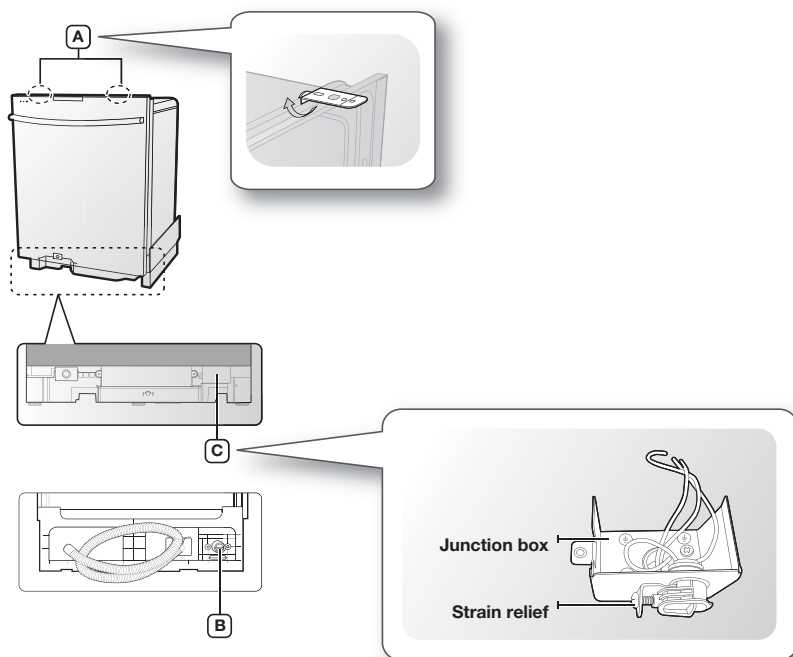
2. Ensure that the circuit breaker and water supply valve are turned off before proceeding with the following steps.



Before you move or lay down the dishwasher for installation, make sure to adjust the height of the legs so the legs are as short as possible. This prevents the legs from breaking. Level the dishwasher by adjusting the height of the legs after you have the dishwasher in place.

3. Make sure there are no kinks and that the hose is not bent at any extreme angles that could constrict the flow of water.
4. Remove the junction box cover located at the bottom front right of the dishwasher using a screwdriver, and then install the strain relief (Figure 4 - C). Make sure to keep the junction box cover you removed. It is used in Step 11, Wiring Connections.
5. If the countertop is made of wood or a material that is not damaged by drilling, attach the two (2) Installation brackets that were supplied with the dishwasher using the supplied screws (Figure 4 - A). They will be used in Step 9, Securing the Dishwasher.

<Figure 4>




CAUTION

Do not overtighten the 90° elbow.
(Below 280 lb·in (31.6 N·m))
Doing so may damage the water inlet valve
and cause a water leak.

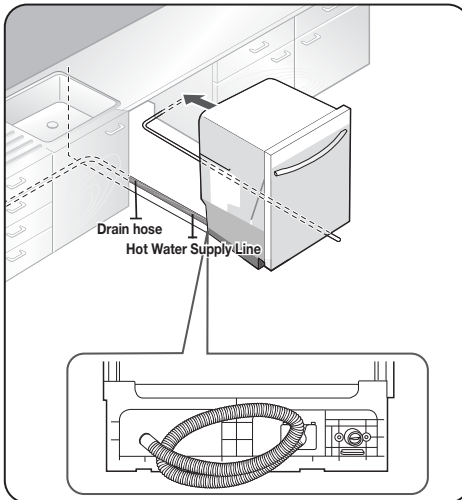
installing the dishwasher

STEP 7 PLACING THE DISHWASHER AND CONNECTING THE HOT WATER SUPPLY LINE

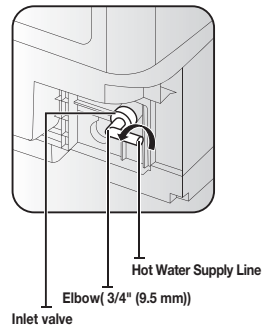
1. Adjust the three leveling legs at the bottom of the dishwasher after measuring the height of the cabinet opening from under the countertop to the floor. (See Step 8, Leveling the Dishwasher.)
2. Locate the hot water supply line and the power cable.
3. Place the dishwasher so that the power cable is in the right channel of the base of the dishwasher. Use standard duct tape or cable ties to secure the electrical cable to their adjacent channels in the base. This can prevent the electrical cable from being squeezed when you push the the dishwasher into place.
4. Pull the drain hose through the hole in the sink cabinet side wall. Keep it free of kinks.
5. Make sure the hot water supply line is not twisted, and then connect the hot water supply line to the elbow joint.
6. Slide the dishwasher carefully into the installation space. If possible, gently pull any excess lengths of water supply line, drain hose, or power cable back as you move the dishwasher. Get a second or third person to help you do this if necessary.

 Do not place the dishwasher on the water supply line, drain hose, or power cable. Also, make sure they are not folded or twisted.

<Figure 6>



<Figure 7>

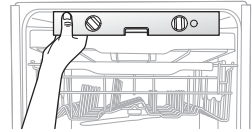


CAUTION

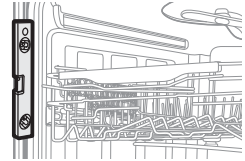
Do not overtighten the 90° Fitting.
(Below 280 lb·in (31.6 N·m))
Doing so may damage the water inlet
valve and cause a water leak.

STEP 8 LEVELING THE DISHWASHER

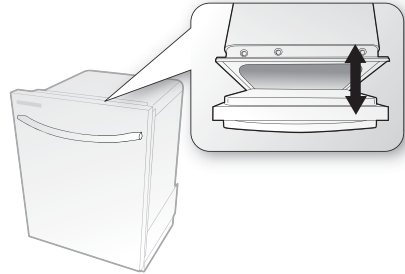
1. Open the door and place the level against the top of the tub on the inside and check if the dishwasher is level. If it is not level, rotate the leveling legs at the bottom front of the dishwasher until the dishwasher is level. See the first note below for instructions on adjusting the height of the front legs.



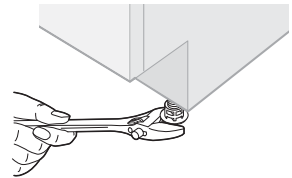
2. Use the level to check if the dishwasher is level front to back, as shown in the figure to the right. If the dishwasher is not level front to back, adjust the height of the rear leg until the dishwasher is level. See the second note below for instructions on adjusting the rear leg.



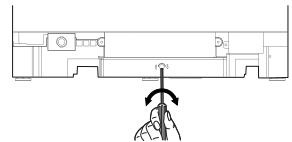
3. Open the door of the dishwasher and check if both the tub and door clearances are correct. If not, rotate the leveling legs on the bottom front of the dishwasher. You can also check this by placing a level against an inside front vertical surface of the tub.



- ⚠ If the leveling legs are rotated to the right (counter clockwise), they are loosened and the front of the dishwasher is raised. If they are rotated to the left (clockwise), they are tightened and the front of the dishwasher is lowered.



- ⚠ To adjust the height of a rear leg, turn the Hexbolt (at the front of the base) to the left to raise the back of the dishwasher using the proper tool (Hex L-wrench or similar tool).



Before you move the dishwasher for installation, make sure to adjust the height of the legs so the legs are as short as possible. This prevents the legs from breaking. Level the dishwasher by adjusting the height of the legs after you have the dishwasher in place.



The dishwasher can leak if it's tilted by more than 1 degree.

installing the dishwasher

STEP 9 SECURING THE DISHWASHER

You must fix the dishwasher to the countertop or cabinet side walls for additional stability and safety.

1. If the countertop is made of wood or the material will not be damaged by drilling, follow the instructions in **2-1** below.
If the countertop is made of granite, marble, or any other material that can be damaged by drilling, follow the instructions in **2-2** below.

- 2-1. If the installation brackets on the front of the dishwasher extend cut them down using a nipper as shown in Figure 8 on the next page.
Put a large towel into the bottom of the dishwasher to prevent wood shavings or a dropped screw from falling into the dishwasher.
Carefully drill screw holes into the counter top bottom by passing the drill bit through a screw hole in each bracket, and then drilling into the counter top bottom beneath.
Make sure the hole you drill is smaller than the diameter of the screw.
Insert the provided screws into the brackets, and then tighten to secure the dishwasher to the counter top.

- 2-2. Put a large towel into the bottom of the dishwasher to prevent wood shavings or a dropped screw from falling into the dishwasher. Remove the tub spacer caps with the tip of a screwdriver. The caps are just inside the tub near the top of the tub on both sides (Figure 9 on the next page).


Drill a hole into the sides of the kitchen cabinet on both sides by carefully passing a drill bit through the screw holes exposed by the removal of the spacer caps, and then drilling into the cabinet side beneath.

Make sure the hole you drill is smaller than the diameter of the screw.

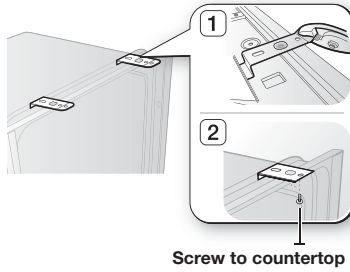
Also make sure the drill bit does not strike the sides of the spacer cap holes. Insert the provided screws into the holes, and then tighten to secure the dishwasher to the cabinet. Make sure the tub is not distorted by pressure from the screws.

If the tub is distorted, loosen the screws a little.

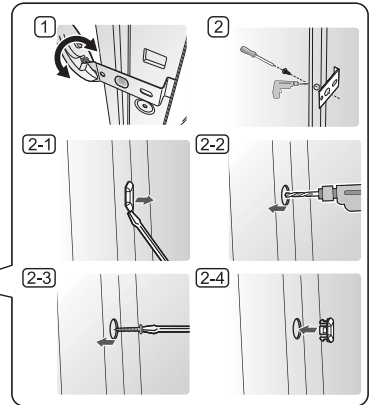
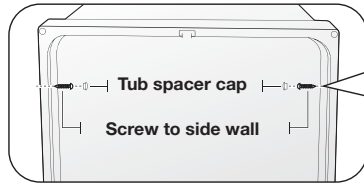
Replace the tub spacer caps.

-  • The screws or tub spacer cap may fall into the dishwasher while you are working with the door open. Cover the interior of the dishwasher with a towel to prevent any screws from falling into the dishwasher. If any foreign items such as a screw get into the dishwasher, it may cause noise, an abnormal operation, damage, or a malfunction.
- Use a magnetic screwdriver to help prevent screws from falling into the dishwasher.
- If a foreign item such as a screw gets into the dishwasher and you are unable to remove it, the dishwasher needs to be disassembled. Contact a qualified service technician for this.

<Figure 8>



<Figure 9>

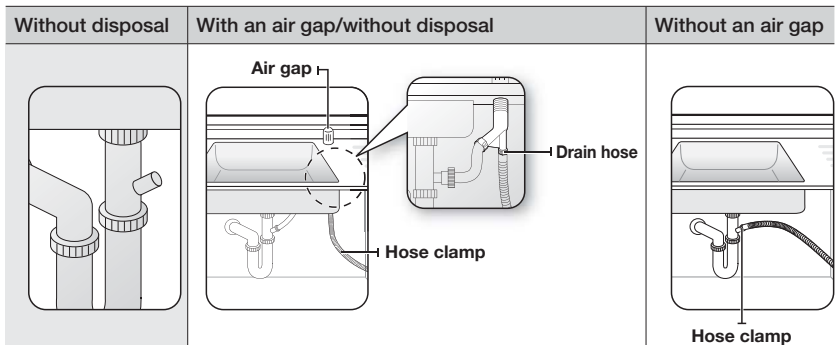


STEP 10 CONNECTING THE DRAIN HOSE

1. Check the parts on the sink to which the drain hose will be connected.
2. There are several ways to insert the drain hose into the drain hose connector of the sink, as shown in the following figures. You must connect the drain hose in accordance with the water pipe installation regulations in your region.

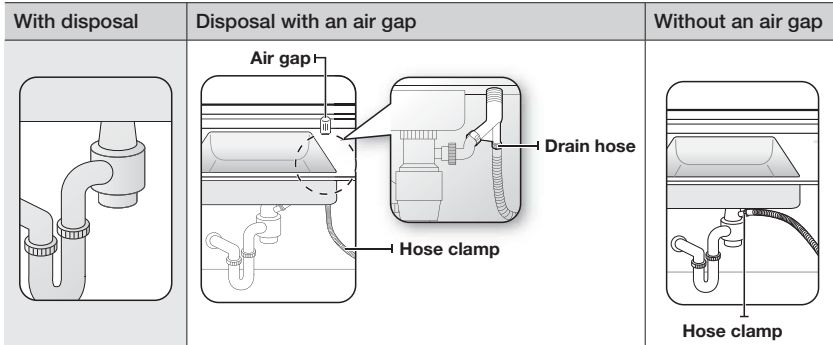
<Figure 10>



Case 1. Without disposal



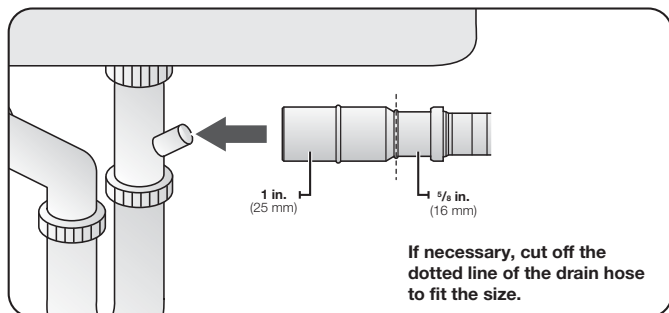
installing the dishwasher

Case 2. With disposal

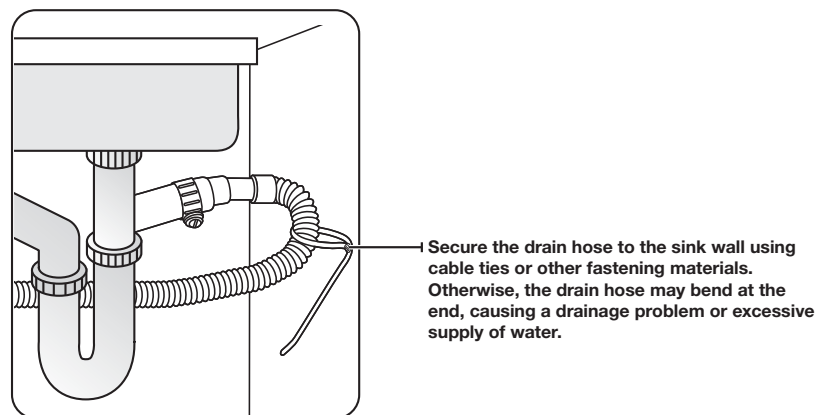


3. Check the size of the sink's drain hose connector. If needed, cut the drain hose so its end fits onto the sink connector (1" or 5/8" - as shown in Figure 11 below). If the end of the drain hose does not fit onto the drain hose connector of the sink, use an adaptor purchasable at a plumbing/hardware supply store.
 4. Slide a hose clamp over the end of the drain hose. Attach the drain hose to the sink connector, slide the hose clamp to the end of the hose, and then tighten the hose clamp.
Note : You must use a hose clamp. Failure to do so may cause water leakage.
 5. If there is no air gap, make sure to hang the middle of the drain hose well above the sink cabinet base to prevent backflow (see Figure 13 on the next page).
 6. When drilling a hole for the drain hose on the cabinet wall, take caution not to damage the drain hose by sharp edges of the hole. On wooden walls, use sand paper to soften the edges. On metal walls, use insulation tape or duct tape to cover the sharp edges around the hole.
 7. Take caution not to damage the drain hose when installing the dishwasher on the floor, wall, or cabinet.
-  To prevent leaks or drainage problems, make sure the drain hose is not damaged, kinked, or twisted.
8. Do not cut the wrinkled area of the drain hose to fit the size. When arranging the drain hose, take caution not to contact on sharp edges of the cabinet or under-sink.
-  • Be careful when cutting off the end of the drain hose as there is a risk of injury. Clean around the sink's drain connection so that it does not damage the hose. Check for any foreign items in the drain hose and remove them.
- When arranging the drain hose, make sure the drain hose is not cut, torn, or broken by any sharp edges of the floor, the product itself, or the cabinet. A damaged drain hose causes a leak.

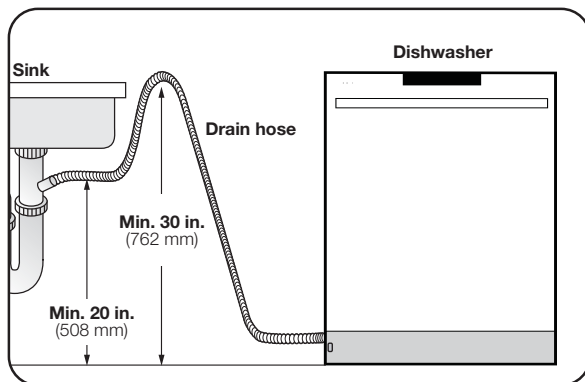
<Figure 11>



<Figure 12>



<Figure 13>

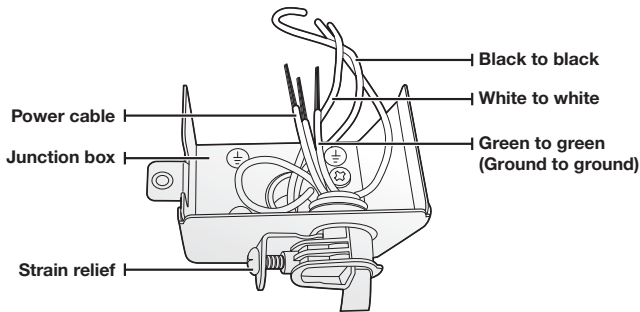


installing the dishwasher

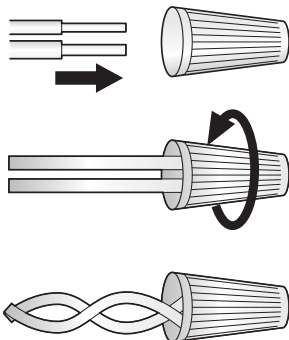
STEP 11 WIRING CONNECTIONS

1. Before connecting the power cable to the dishwasher, make sure the circuit breaker is off.
2. In the junction box located at the front bottom right of the dishwasher, find the three power wires from the dishwasher including the grounding line.
3. Pass the power cable through the strain relief, and then into the junction box (Figure 14).
4. Connect the black wire of the dishwasher to the black wire of the power cable by insertng both into a wire nut and then rotating the wire connector as shown in Figure 15.
Connect the white wire to the white wire and the green to the green in the same manner.
5. Recheck each wire to ensure it is connected correctly and securely.
Each colored wire should be connected to the corresponding wire of the same color.
White should be connected to white, black to black, and green to green.
6. Replace the junction box cover on the dishwasher.

<Figure 14>



<Figure 15>



WARNING


Electrical Shock Hazard

To avoid electrical shock, do not work on an energized circuit. Doing so could result in serious injury or death. Only qualified electricians should perform electrical work. Do not attempt any work on the dishwasher electric supply circuit until you are certain the circuit is de-energized.

WARNING

Fire Hazard

To avoid a fire hazard, make sure electrical work is properly installed. Only qualified electricians should perform electrical work.

-  Recheck each wire to ensure it is connected correctly and securely.
Each colored wire should be connected to the corresponding wire of the same color.

STEP 12 COMPLETING THE INSTALLATION

1. Open the door and remove all foam, paper packaging, and unnecessary parts.
2. Turn on the circuit breaker you turned off before you began the installation.
3. Open the water supply valve to supply water to the dishwasher.
4. Turn on the dishwasher, and then select and run a cycle.



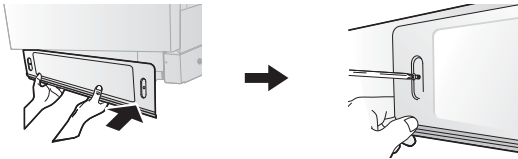
Check if the power turns on correctly and if there is any water leakage while the dishwasher is operating. If no errors occur while it is operating, turn off the dishwasher, and then go to Step 5 below.

If an error has occurred, turn off the dishwasher, close the water supply valve, and then refer to the user manual or contact a service center 1-800-SAMSUNG (726-7864).



CAUTION Make sure to check for water leakage on both ends of the water supply line and drain hose connector.

5. Confirm that the kick plate gasket is on the bottom of the kick plate. To install the kick plate, refer to the figure below.



specifications

Power supply	120 V, 60 Hz AC only
Water pressure	20 ~ 120 psi (140 ~ 830 kPa)
Dimensions (Width×Depth×Height)	23 ⁷ / ₈ x 24 ³ / ₄ x 33 ⁹ / ₁₀ in. (605 x 627 x 860 mm) (DW80K7050 Series) 23 ⁷ / ₈ x 24 ¹ / ₂ x 33 ⁹ / ₁₀ in. (605 x 621.5 x 860 mm) (DW80K5050 Series)
Nominal inlet water temperature	120 °F (49 °C)



Specifications are subject to change without notice for quality improvement purposes.
The actual appearance of the dishwasher may differ from the illustrations in this manual.

notes

SAMSUNG

Série DW80K7050
Série DW80K5050

Lave-vaisselle

Manuel d'installation



Ces instructions d'installation ont été rédigées pour être utilisées par des installateurs qualifiés.

Si vous rencontrez des problèmes lors de l'installation du lave-vaisselle, veuillez appeler au : **1-800-SAMSUNG (726-7864)** ou consulter le site suivant, pour obtenir de l'aide : www.samsung.com

un monde de possibilités

Nous vous remercions d'avoir choisi cet appareil Samsung.







SAMSUNG

consignes de sécurité

Tout au long du présent manuel, vous rencontrerez des remarques intitulées Avertissement et Attention. Ces avertissements et mises en garde, ainsi que les consignes de sécurité importantes qui suivent, ne sont pas exhaustives. Il est de votre responsabilité de faire appel à votre bon sens et de faire preuve de prudence et de minutie lors de l'installation, de la maintenance et de l'utilisation de votre lave-vaisselle. Samsung ne saurait être tenue pour responsable en cas de dommage résultant d'une utilisation non conforme.

CONSIGNES DE SÉCURITÉ IMPORTANTES

Que signifient les icônes et symboles utilisés dans ce manuel d'installation ?

 AVERTISSEMENT	Risques ou manipulations dangereuses susceptibles d'entraîner des blessures graves, voire mortelles.
 ATTENTION	Risques ou manipulations dangereuses pouvant entraîner des blessures ou des dommages matériels.
 ATTENTION	Pour réduire le risque d'incendie, d'explosion, d'électrocution ou de blessures lors de l'utilisation du lave-vaisselle, veuillez vous conformer aux précautions de sécurité de base suivantes :
	Suivez scrupuleusement les consignes.
	Assurez-vous que l'appareil est relié à la terre afin d'éviter tout risque d'électrocution.
	Prenez contact avec le service d'assistance technique pour obtenir de l'aide.

Ces symboles d'avertissement visent à éviter que vous ou quelqu'un d'autre ne se blesse.

Veuillez vous y conformer scrupuleusement.

Lorsque vous aurez terminé de lire ce manuel, conservez-le dans un endroit sûr afin de pouvoir le consulter ultérieurement.

 Lisez attentivement toutes les instructions avant d'utiliser l'appareil.

Installez et entreposez le lave-vaisselle à l'intérieur, dans un endroit où il ne pourra être exposé aux intempéries.



N'installez pas le lave-vaisselle près de composants électriques. Éloignez-le des flammes nues.

N'installez PAS le lave-vaisselle sur un tapis en raison des risques d'incendie.

N'installez PAS le lave-vaisselle dans un endroit où l'eau pourrait geler (lorsque la température descend en dessous de 32 °F (0 °C)). Le lave-vaisselle pourrait être endommagé par la glace se trouvant dans les tuyaux et conduits.

À l'instar de tous les équipements utilisant de l'électricité, de l'eau et des parties mobiles, des risques potentiels existent. Pour utiliser cet appareil en toute sécurité, veuillez vous familiariser avec son fonctionnement et faire toujours preuve de prudence.



Ce lave-vaisselle doit être mis à la terre de façon appropriée. Ne le branchez jamais à une prise non reliée à la terre.

Avant d'enlever le lave-vaisselle d'origine et de le remplacer par le nouvel appareil, assurez-vous d'avoir coupé votre disjoncteur. Ne branchez pas le câble d'alimentation du lave-vaisselle avant d'avoir terminé l'installation ; le branchement est la dernière étape à effectuer.

Toutes les opérations de câblage et de mise à la terre doivent être effectuées conformément au code d'électricité en vigueur dans votre pays.

INSTRUCTIONS DE MISE À LA TERRE

Branchement permanent de l'appareil :

Cet appareil doit être connecté à un système de câblage permanent métallique avec mise à la terre ; si ce n'est pas le cas, un conducteur de mise à la terre de l'équipement doit être installé avec les conducteurs du circuit puis connecté à la borne ou au fil de mise à la terre de l'équipement située sur l'appareil.

Le lave-vaisselle est très lourd. Ne tentez pas de le déplacer ou de le transporter seul. Au minimum deux personnes sont nécessaires pour déplacer le lave-vaisselle et ainsi éviter tout risque de blessures.



Si vous remarquez que le câble d'alimentation du lave-vaisselle est endommagé, faites-le remplacer par le fabricant, un réparateur approuvé ou toute autre personne qualifiée.



Ne touchez jamais le câble d'alimentation si vos mains sont mouillées.



Ne branchez aucun autre appareil sur la même prise électrique que le lave-vaisselle.

Assurez-vous d'utiliser un tuyau d'arrivée d'eau neuf. Une conduite plus ancienne pourrait se casser à la suite d'un durcissement, ce qui pourrait causer une fuite d'eau et endommager vos biens.

Le lave-vaisselle doit être raccordé à une source d'eau chaude avec une température comprise entre 120 °F (49 °C) et 149 °F (65 °C). Plage de température conseillée pour un résultat de lavage optimal et pour un temps de cycle plus court. Une température supérieure à 149 °F (65 °C) risque d'endommager la vaisselle.

Assurez-vous que l'eau alimentée dans le lave-vaisselle ne peut pas geler, car la glace pourrait endommager les tuyaux, les valves, la pompe ou d'autres composants.

Les lave-vaisselle domestiques certifiés ne sont pas conçus pour une utilisation dans des établissements de restauration sous licence.

(Norme NSF/ANSI 184 pour les lave-vaisselle domestiques)

Pour obtenir une liste complète des consignes de sécurité, veuillez vous reporter au Manuel d'utilisation.

AVANT D'INSTALLER LE LAVE-VAISSELLE



AVERTISSEMENT



Risque de basculement

- N'utilisez pas le lave-vaisselle avant qu'il ne soit correctement installé.
- N'appuyez pas sur la porte lorsque celle-ci est ouverte.
- Ne posez pas d'objets lourds sur la porte ouverte.



Risque d'électrocution

Le non-respect de ces consignes peut entraîner un incendie ou une électrocution et avoir des conséquences mortelles.

- Reliez le lave-vaisselle à la terre.
- Connectez le fil de terre au connecteur de terre vert de la boîte de jonction.
- N'utilisez pas de rallonge.

Afin de réduire les risques d'incendie, d'électrocution ou de blessures, l'installateur doit veiller à ce que le lave-vaisselle soit entièrement encastré au moment de l'installation.

table des matières

PRÉPARATION DE L'EMPLACEMENT DU LAVE-VAISSELLE

5

- 5 Dimensions de l'appareil
- 5 Dimensions d'encastrement

INSTALLATION DU LAVE-VAISSELLE

6

- 6 ÉTAPE 1 Vérifier les pièces et les outils
- 8 ÉTAPE 2 Choisir le meilleur emplacement pour le lave-vaisselle
- 9 ÉTAPE 3 Vérifier les normes et les mises en garde à respecter pour l'arrivée d'eau
- 10 ÉTAPE 4 Vérifier les normes et les mises en garde électriques
- 11 ÉTAPE 5 Déballez et inspecter le lave-vaisselle
- 12 ÉTAPE 6 Préparer le lave-vaisselle
- 14 ÉTAPE 7 Mettre en place le lave-vaisselle et raccorder le tuyau d'arrivée d'eau chaude
- 15 ÉTAPE 8 Mettre à niveau le lave-vaisselle
- 16 ÉTAPE 9 Fixer le lave-vaisselle
- 17 ÉTAPE 10 Raccorder le tuyau d'évacuation
- 20 ÉTAPE 11 Raccorder les câbles
- 21 ÉTAPE 12 Terminer l'installation

CARACTÉRISTIQUES TECHNIQUES

22

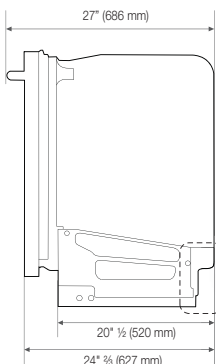
- 22 Caractéristiques techniques

préparation de l'emplacement du lave-vaisselle

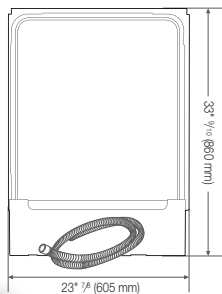
DIMENSIONS DE L'APPAREIL

Vue latérale

Série DW80K7050

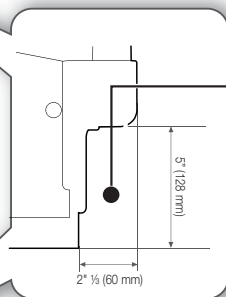
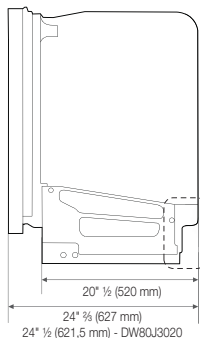


Vue arrière




Vue latérale

Série DW80K5050



Le tuyau d'arrivée d'eau, le câble d'alimentation et le tuyau d'évacuation doivent passer par cette zone située à l'arrière du lave-vaisselle. Le câble d'alimentation passe ensuite dans les gouttières situées sous le lave-vaisselle et rejoint l'avant de l'appareil.

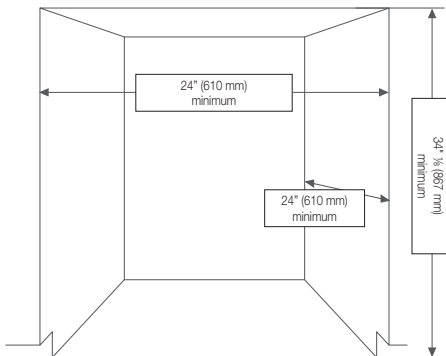
DIMENSIONS D'ENCASTREMENT

 Ce lave-vaisselle est conçu pour être encastré dans un meuble standard de cuisine domestique aussi bien sur le dessus que les deux côtés.

L'emplacement d'installation doit être propre et dégagé.

L'emplacement doit avoir une largeur minimale de 24 pouces, une profondeur de 24 pouces et une hauteur de 34 pouces 1/8.

Afin que la porte avant du lave-vaisselle soit parfaitement alignée avec le bord du plan de travail, ce dernier doit avoir une profondeur minimale de 25 pouces.



installation du lave-vaisselle

Veillez à ce que vous ou votre installateur respectiez soigneusement ces instructions afin de garantir le bon fonctionnement de votre nouveau lave-vaisselle et d'éviter tout risque de blessures lors de son utilisation.

ÉTAPE 1 VÉRIFIER LES PIÈCES ET LES OUTILS

Avant de commencer l'installation, préparez tous les outils et pièces dont vous aurez besoin ; ceci permettra de gagner du temps lors de l'installation et de simplifier le processus d'installation.

Pièces nécessaires

Fournies avec le lave-vaisselle. Vérifiez que toutes les pièces sont présentes au moment du déballage du lave-vaisselle (étape 5).



2 supports d'installation



2 vis à tête plate
(pour le support
d'installation)



2 vis
(pour la plaque de
protection)



Plaque de protection



Autocollant de protection

Non fournies



Câble d'alimentation



Capuchons de connexion
pour fils



Réducteur de tension



Ruban isolant et ruban
pour conduits standard



Tuyau d'arrivée d'eau
chaude



Record de 90° (3/4")



Raccords pour tuyaux



Ruban Téflon® ou
composé d'étanchéité



Collier de serrage



Entrefier



Raccord en caoutchouc



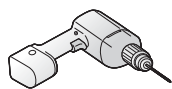
Tuyau d'arrivée d'eau chaude : un tuyau en cuivre d'au moins 3/8" (diamètre extérieur) avec raccord à compression ou un flexible d'alimentation eau chaude avec tresse en inox est fortement recommandé. [Avertissement : n'utilisez pas de tube plastique ; Les tuyaux en plastique risquent de se détériorer avec le temps et de provoquer des fuites à l'intérieur du raccord.]

Vous devez également disposer d'un coude à 90° avec filetage pour tube NPT externe de 3/8" sur une extrémité et adapté au tuyau d'arrivée d'eau chaude (tuyau en cuivre/raccord de compression ou flexible avec tresse) de l'autre.

Un câble 12-2 gainé avec mise à la terre est conseillé pour l'alimentation.

Remarque : certains codes locaux peuvent exiger un câble avec gaine métallique (BX).

Outils nécessaires



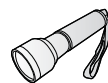
Perceuse électrique



Lunettes de sécurité



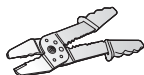
Gants



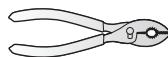
Lampe de poche



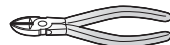
Clé à molette



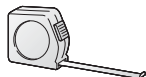
Outil à dénuder



Pinces



Pince coupante



Ruban à mesurer



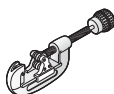
Crayon



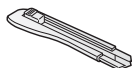
Tournevis cruciforme



Tournevis plat



Coupe-tube



Couteau



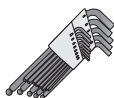
Scie-cloche



Niveau



Torx t20



Clé Allen

installation du lave-vaisselle

Première installation

Si aucun lave-vaisselle n'a encore été installé, la majorité du travail d'installation devra être effectuée avant que le lave-vaisselle ne soit mis en place.

Remplacement

Si ce lave-vaisselle est installé en remplacement d'un ancien modèle, assurez-vous de vérifier la compatibilité des raccords pour lave-vaisselle existants avec votre nouveau lave-vaisselle. Remplacez-les au besoin.


ÉTAPE 2 CHOISIR LE MEILLEUR EMPLACEMENT POUR LE LAVE-VAISSELLE

Prenez en compte les critères suivants pour déterminer le meilleur emplacement pour votre lave-vaisselle :

- Le sol de la pièce choisie doit pouvoir supporter le poids du lave-vaisselle.
- Choisissez un endroit situé près d'un évier, avec un accès facile à l'arrivée d'eau, au tuyau d'évacuation et à une prise électrique.

 Pour que la vidange puisse se faire de façon appropriée, installez le lave-vaisselle à moins de 9,8 pieds (3 m) de l'évier.

- Vous devez pouvoir charger la vaisselle facilement dans votre lave-vaisselle.
- Choisissez un emplacement qui vous permette d'ouvrir facilement la porte du lave-vaisselle et d'avoir un espace suffisant entre l'appareil et les parois l'entourant (au moins 0,1 po (2 mm)).

 Si le lave-vaisselle est installé dans un angle, assurez-vous qu'il se trouve à au moins 2 po (50 mm) du mur ou des parois l'entourant sur la gauche ou la droite.

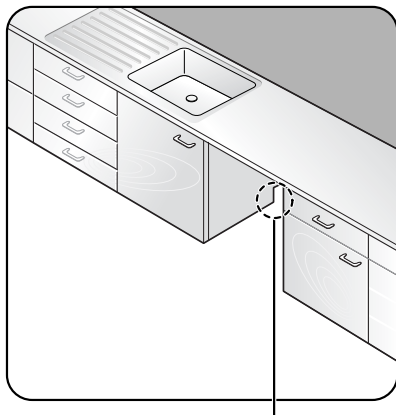
- Le mur à l'arrière doit être libre de toute obstruction.

S'il s'agit d'une première installation, procédez comme suit :

1. À l'aide d'une scie-cloche de 2 pouces $\frac{1}{2}$ découpez un trou sur le côté du meuble supportant l'évier, comme indiqué dans la Figure 1-1 ci-dessous.
2. Si la base à l'intérieur du meuble de l'évier est surélevée par rapport au sol de la cuisine et se trouve au-dessus des raccords du lave-vaisselle, percez un trou dans la base et sur le côté du meuble, comme indiqué sur la Figure 1-2.

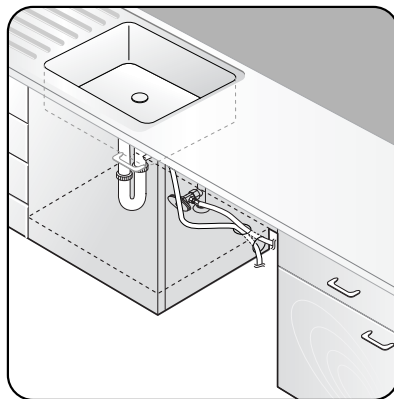
 En fonction de l'emplacement de votre prise électrique, vous aurez peut-être besoin de percer un trou sur le côté opposé du meuble.

<Figure 1-1>



Trou pour le tuyau d'arrivée d'eau, le tuyau d'évacuation et les câbles d'alimentation.

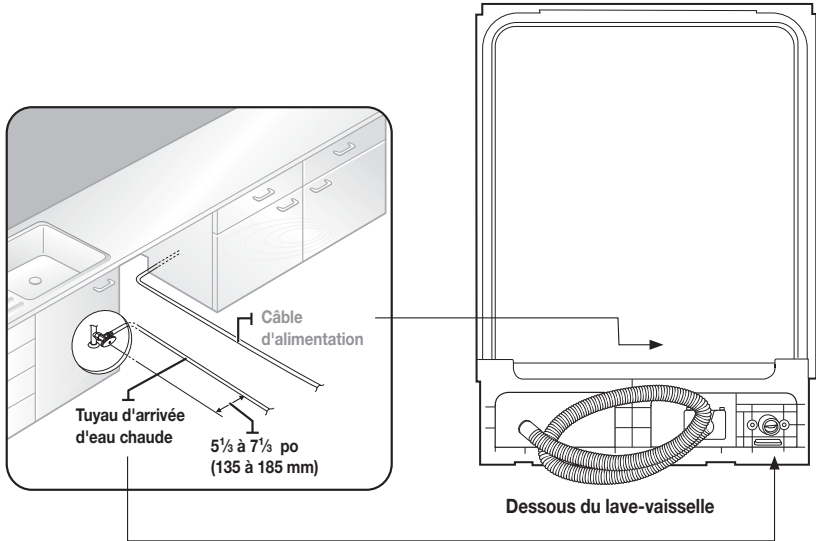
<Figure 1-2>



ÉTAPE 3 VÉRIFIER LES NORMES ET LES MISES EN GARDE À RESPECTER POUR L'ARRIVÉE D'EAU

- La pression de l'arrivée d'eau chaude doit se situer entre 20 et 120 psi (140 et 830 kPa).
- Réglez le chauffe-eau de façon à ce que l'eau chaude se situe entre 120 °F (49 °C) et 149 °F (65 °C).
 - Le lave-vaisselle doit être raccordé à une arrivée d'eau chaude comprise entre 120 °F (49 °C) et 149 °F (65 °C). Plage de température conseillée pour un résultat de lavage optimal et pour un temps de cycle plus court. Une température supérieure à 149 °F (65 °C) risque d'endommager la vaisselle.
 - Assurez-vous d'avoir fermé la vanne d'arrivée d'eau avant de raccorder le tuyau d'arrivée d'eau chaude au lave-vaisselle.
 - Scellez les raccords du tuyau d'arrivée d'eau chaude avec du ruban Téflon ou un composé d'étanchéité pour arrêter une fuite d'eau.
 - Le tuyau d'évacuation du lave-vaisselle doit passer par le trou que vous avez percé dans la paroi latérale avant de pouvoir être raccordé à la sortie d'évacuation de l'évier. Lorsque vous installez le lave-vaisselle, assurez-vous que rien ne se trouve sur le tuyau d'évacuation et faites attention à ne pas le déchirer lors de l'installation.

<Figure 2>



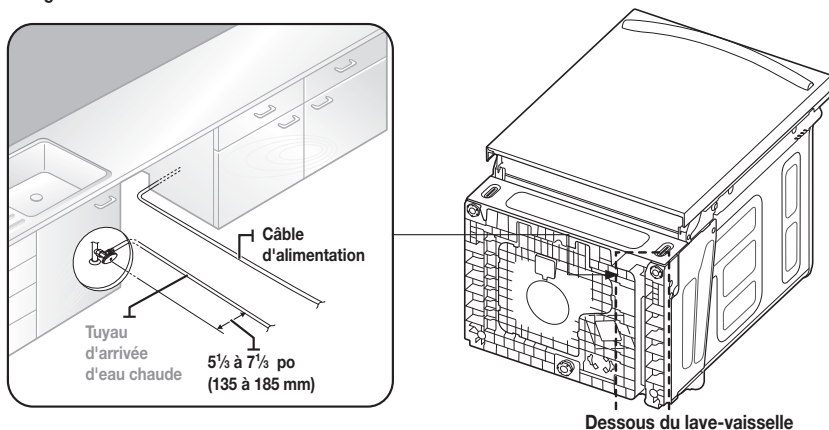
installation du lave-vaisselle

ÉTAPE 4 VÉRIFIER LES NORMES ET LES MISES EN GARDE ÉLECTRIQUES

Exigences électriques à respecter pour le lave-vaisselle :

- Aux États-Unis, l'installation doit être conforme au National Electric Code (Code américain sur les installations électriques), aux normes régionales et municipales et/ou aux codes locaux.
- Au Canada, l'installation doit être conforme au Code canadien de l'électricité C22.1 (dernière version), aux normes municipales et provinciales et/ou aux codes locaux.
- Pour le branchement direct des câbles :
 - Utilisez un câble en cuivre flexible avec gaine armée ou non métallique, doté d'un fil de mise à la terre et conforme aux exigences de câblage pour vos codes et décrets locaux.
 - Utilisez le réducteur de tension fourni avec la boîte de jonction de câblage ou installez un connecteur à collier répertorié UL/certifié CSA sur la boîte de jonction de câblage. Si vous utilisez une gaine, choisissez un connecteur à gaine répertorié UL/certifié CSA.
- Pour le branchement du câble d'alimentation :
 - Branchez le cordon d'alimentation dans une prise murale triphasée mise à la terre située dans le meuble, à côté de l'ouverture du lave-vaisselle. La prise doit être conforme à vos codes et décrets locaux. Utilisez un kit de cordon d'alimentation répertorié UL/certifié CSA.
 - Votre lave-vaisselle doit être raccordé à une alimentation électrique qui fournit la tension et l'intensité indiquées sur la plaque signalétique de l'appareil : 15 A, 120 V, 60 Hz CA.
 - Assurez-vous que le disjoncteur auquel sera relié le lave-vaisselle est bien coupé.
 - La section du câble d'alimentation partant du côté du lave-vaisselle ne doit pas mesurer plus de 4 pieds (1,2 m).
 - Si vous n'êtes pas certain de vos branchements au niveau du lave-vaisselle, veuillez consulter un électricien ou un réparateur qualifié.
 - Ne branchez aucun autre appareil sur la même prise électrique que le lave-vaisselle.
 - Avant de brancher le câble d'alimentation au lave-vaisselle, assurez-vous qu'il n'y a aucun danger électrique pouvant causer un incendie, une explosion, une électrocution ou des blessures.
 - Le câble d'alimentation doit passer dans la gouttière située sous le lave-vaisselle, comme indiqué sur la Figure 3.

<Figure 3>

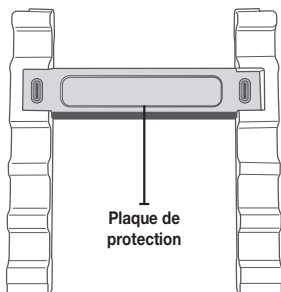


ÉTAPE 5 DÉBALLER ET INSPECTER LE LAVE-VAISSELLE

Déballer le lave-vaisselle dans une pièce dépourvue d'obstructions, aussi bien autour du carton qu'en hauteur. Nous vous conseillons de conserver le carton ainsi que tous les matériaux d'emballage jusqu'à ce que le lave-vaisselle soit entièrement installé et opérationnel, afin de vous assurer que vous avez bien retiré du carton tous les composants de l'appareil avant de le jeter.

Déballage

1. Placez le carton à l'endroit, de telle sorte que les flèches pointent vers le haut.
2. Défaites ou coupez les quatre liens maintenant le dessus du carton fermé.
3. Tirez sur le haut du carton télescopique afin de l'extraire du support de protection et de l'appareil, puis retournez-le et posez-le sur le sol.
4. Rangez les liens et les matériaux d'emballage situés autour du lave-vaisselle dans le carton en vérifiant qu'ils soient intacts.
5. Trouvez la plaque de protection et mettez-la de côté. Elle est fixée au matériau d'emballage du lave-vaisselle.



6. Retirez le lave-vaisselle de son support de protection en le soulevant, puis posez-le doucement sur le sol. Placez le support de protection dans le carton.
7. Retirez le sac qui protège le lave-vaisselle pendant le transport.



SOULEVEZ TOUJOURS le lave-vaisselle **POUR LE DÉPLACER**. Si vous le faites glisser sur des surfaces inégales, vous risquez d'endommager les pieds du lave-vaisselle et faire glisser les pieds sur une surface finie peut, dans certains cas, endommager le revêtement du sol ou la surface sous-jacente.

8. Nous vous conseillons de laisser en place les matériaux d'emballage se trouvant à l'intérieur du lave-vaisselle jusqu'à ce que celui-ci soit installé.
9. **NE RETIREZ** en aucun cas le revêtement d'absorption acoustique entourant l'extérieur de la cuve du lave-vaisselle.

Inspection

Éléments mécaniques

1. Vérifiez que l'ensemble de la base en plastique est intacte.
2. Vérifiez que les pieds du lave-vaisselle sont en place et opérationnels afin que vous puissiez mettre à niveau et fixer l'appareil.
3. Vérifiez que tous les composants visibles à la base du lave-vaisselle sont intacts et correctement fixés.
4. Vérifiez que le loquet de la porte et les charnières fonctionnent et que la porte est correctement fixée au lave-vaisselle.

installation du lave-vaisselle

Éléments de plomberie

1. Vérifiez le raccord de l'arrivée d'eau chaude sur le côté avant gauche de la base du lave-vaisselle.
La plaque de montage doit être fixée à l'avant de la base, les filetages à l'intérieur du raccord doivent être réguliers et brillants. De plus, la zone doit être propre et exempte de tout débris.
2. Vérifiez que les boîtiers du frein et du capteur sont intacts et que tous les raccords sont correctement fixés.
3. Vérifiez que le tuyau d'évacuation n'est pas percé ou déformé afin d'éviter tout risque de fuite d'eau lors de l'évacuation.

Éléments électriques

1. Vérifiez que le cache de la boîte de jonction est fixé à cette dernière sur le côté avant droit du lave-vaisselle.
2. Vérifiez que le boîtier électrique n'a pas été endommagé lors du transport et qu'il est correctement fixé sur la base du lave-vaisselle.

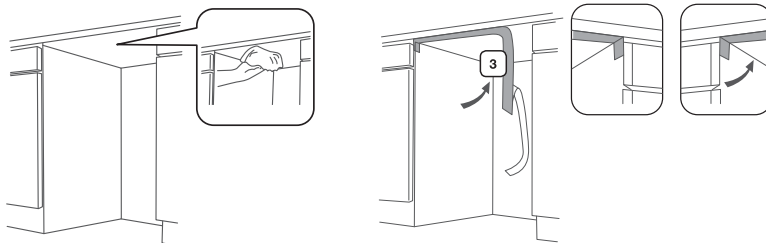
État général

1. Vérifiez l'absence de coups ou de rayures sur l'avant du lave-vaisselle.
2. Vérifiez que les arêtes de la porte sont en parfait état.
3. Vérifiez que le panneau de commande n'est pas rayé et que tous les voyants de contrôle sont au bon endroit.

Pièces

1. Vérifiez que vous êtes bien en possession de toutes les pièces mentionnées lors de l'Étape 1, en page 6.

ÉTAPE 6 PRÉPARER LE LAVE-VAISSELLE



1. Installez l'autocollant de protection **3**.

 Appelez l'autocollant de protection sur le dessous du plan de travail, comme indiqué sur l'image.

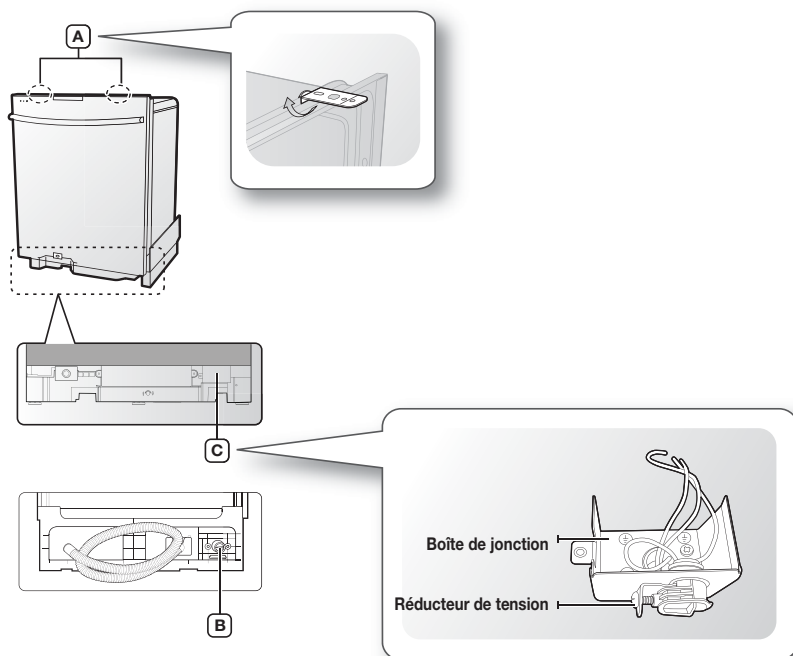
- Assurez-vous que le disjoncteur et la vanne d'arrivée d'eau sont bien coupés avant d'effectuer les étapes suivantes.



Avant de déplacer ou de coucher le lave-vaisselle pour l'installation, assurez-vous de régler la hauteur des pieds de sorte qu'ils soient aussi courts que possible. Cela permet d'éviter que les pieds ne se cassent. Mettez le lave-vaisselle à niveau en réglant la hauteur des pieds une fois l'appareil en place.

- Assurez-vous qu'il n'y a pas de nœuds et que le tuyau n'est pas courbé selon des angles extrêmes pouvant freiner l'écoulement de l'eau.
- À l'aide d'un tournevis, retirez le cache de la boîte de jonction située dans la partie inférieure droite, à l'avant du lave-vaisselle, puis installez le réducteur de tension (Figure 4 - C). Conservez précieusement le cache de la boîte de jonction que vous avez retiré. Il sera utilisé lors de l'Étape 11, Raccorder les câbles
- Si le plan de travail est en bois ou dans un matériau qui ne risque pas d'être endommagé par le perçage, fixez les deux (2) supports d'installation fournis avec le lave-vaisselle à l'aide des vis fournies (Figure 4 - A). Ils seront utilisés lors de l'Étape 9, Fixer le lave-vaisselle.

<Figure 4>



ATTENTION

Ne serrez pas à l'excès le coude à 90°.
(Moins de 280 lb po (31,6 Nm))
Vous risqueriez d'endommager la vanne
d'arrivée d'eau et de provoquer une fuite d'eau.

installation du lave-vaisselle

ÉTAPE 7 METTRE EN PLACE LE LAVE-VAISSSELLE ET RACCORDER LE TUYAU D'ARRIVÉE D'EAU CHAUDE

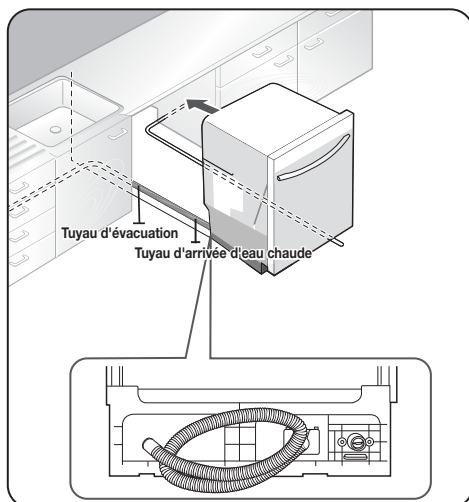
1. Ajustez les trois pieds de mise à niveau situés sous le lave-vaisselle après avoir mesuré la hauteur de l'ouverture du meuble (espace situé entre la face inférieure du plan de travail et le sol). (Voir Étape 8, Mise à niveau du lave-vaisselle.)
2. Localisez le tuyau d'arrivée d'eau chaude et le câble d'alimentation.
3. Installez le lave-vaisselle de telle manière que le câble d'alimentation passe dans la gouttière droite de la base de l'appareil. Utilisez du ruban pour conduits standard ou des serre-câbles pour fixer le câble électrique sur leurs gouttières adjacentes dans la base. Cela permet d'éviter que le câble électrique ne soit écrasé lorsque vous pousserez le lave-vaisselle dans son logement.
4. Faites passer le tuyau d'évacuation à travers le trou de la paroi latérale du meuble sous évier. Vérifiez qu'il n'est pas plié.
5. Assurez-vous que le tuyau d'arrivée d'eau chaude n'est pas vrillé et connectez-le au coude.
6. Faites glisser doucement le lave-vaisselle dans son emplacement. Si possible, tirez doucement sur les longueurs en excès du tuyau d'arrivée d'eau, du tuyau d'évacuation ou du câble d'alimentation pendant l'opération. Demandez l'aide d'une deuxième, voire d'une troisième personne si nécessaire.



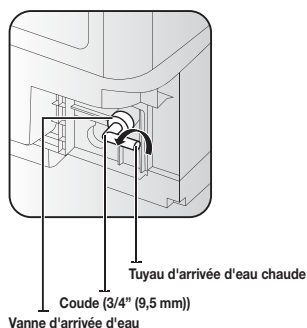
Assurez-vous de ne pas poser le lave-vaisselle sur le tuyau d'arrivée d'eau, le tuyau d'évacuation ou le câble d'alimentation.

Assurez-vous aussi qu'ils ne sont ni pliés ni tordus.

<Figure 6>



<Figure 7>

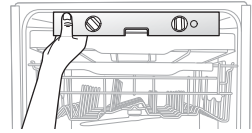


ATTENTION

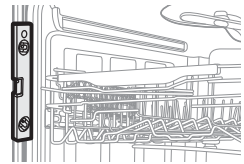
**Ne serrez pas le raccord de 90° à l'excès.
(Moins de 280 lb po (31,6 Nm))
Vous risqueriez d'endommager la vanne
d'arrivée d'eau et de provoquer une fuite
d'eau.**

ÉTAPE 8 METTRE À NIVEAU LE LAVE-VAISSELLE

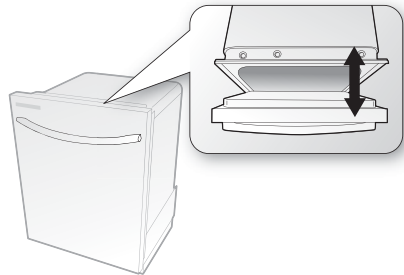
1. Ouvrez la porte et placez le niveau contre le haut de la cuve située à l'intérieur et vérifiez si le lave-vaisselle est de niveau.
S'il n'est pas de niveau, faites tourner les pieds de mise à niveau situés au bas à l'avant du lave-vaisselle jusqu'à ce que ce dernier soit de niveau.
Reportez-vous à la première remarque ci-dessous pour connaître les instructions d'ajustement de la hauteur des pieds avant.



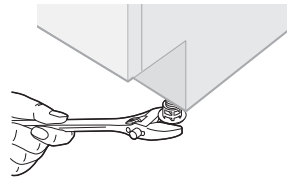
2. Utilisez le niveau pour vérifier si le lave-vaisselle est de niveau d'avant en arrière, comme indiqué sur la figure de droite.
Si le lave-vaisselle n'est pas de niveau d'avant en arrière, ajustez la hauteur du pied arrière jusqu'à ce que le lave-vaisselle soit de niveau.
Reportez-vous à la deuxième remarque ci-dessous pour connaître les instructions d'ajustement du pied arrière.



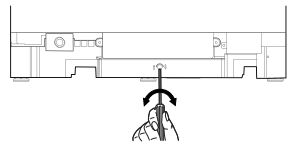
3. Ouvrez la porte du lave-vaisselle et vérifiez si les dégagements de la porte et de la cuve sont corrects.
Si ce n'est pas le cas, faites tourner les pieds de mise à niveau au bas à l'avant du lave-vaisselle. Vous pouvez également vérifier cela en plaçant un niveau contre une surface verticale avant de la cuve, à l'intérieur.



- ☒ Si vous faites tourner les pieds de mise à niveau sur la droite (sens antihoraire), ils se dévissent et l'avant du lave-vaisselle remonte.
Si vous les faites tourner vers la gauche (sens horaire), ils se resserrent et l'avant du lave-vaisselle s'abaisse.



- ☒ Pour régler la hauteur d'un pied arrière, faites tourner le boulon hexagonal (situé à l'avant de la base) vers la gauche à l'aide d'un outil approprié (clé Allen ou outil similaire) pour remonter l'arrière du lave-vaisselle.




ATTENTION Avant de déplacer le lave-vaisselle pour l'installation, assurez-vous de régler la hauteur des sorte qu'ils soient aussi courts que possible. Cela permet d'éviter que les pieds ne se cassent. Mettez le lave-vaisselle à niveau en réglant la hauteur des pieds une fois l'appareil en place.

ATTENTION Le lave-vaisselle peut fuir s'il est incliné de plus de 1 degré.

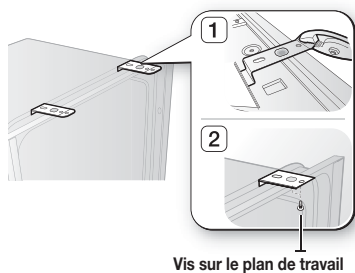
installation du lave-vaisselle

ÉTAPE 9 FIXER LE LAVE-VAISSELLE

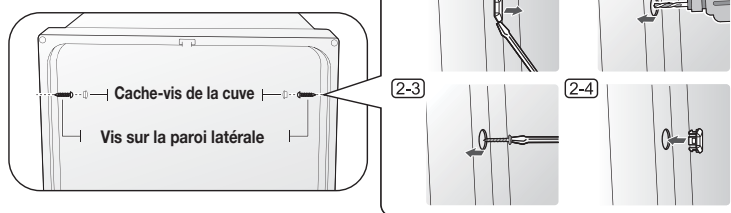
Le lave-vaisselle doit être fixé au plan de travail ou aux parois latérales du meuble pour plus de stabilité et de sécurité.

1. Si le plan de travail est en bois ou si son matériau ne sera pas endommagé par un perçage, suivez les instructions fournies dans la section **2-1** ci-dessous.
Si le plan de travail est en granite, marbre ou tout autre matériau qui peut être endommagé par un perçage, suivez les instructions fournies dans la section **2-2** ci-dessous.
 - 2-1. Si les supports d'installation à l'avant du lave-vaisselle dépassent, coupez-les à l'aide d'une pince coupante comme indiqué sur la Figure 8 en page suivante.
Placez une grande serviette au fond du lave-vaisselle afin d'empêcher que des copeaux de bois ou une vis ne tombent dans l'appareil.
Percez soigneusement des trous de vis sous le plan de travail en faisant passer le foret de la perceuse dans un trou de vis de chaque support. Percez ensuite sous le plan de travail par en-dessous.
Assurez-vous que le trou que vous percez soit plus petit que le diamètre de la vis.
Insérez les vis fournies dans les supports, puis serrez-les pour fixer le lave-vaisselle au plan de travail.
 - 2-2. Placez une grande serviette au fond du lave-vaisselle afin d'empêcher que des copeaux de bois ou une vis ne tombent dans l'appareil. Retirez les cache-vis de la cuve en utilisant la pointe d'un tournevis. Les cache-vis se situent de chaque côté de la cuve, juste à l'intérieur, en haut (Figure 9 en page suivante).
Percez un trou de chaque côté du meuble en faisant passer soigneusement le foret de la perceuse dans les trous de vis dévoilés par le retrait des cache-vis. Percez ensuite en dessous du côté du meuble.
Assurez-vous que le trou que vous percez soit plus petit que le diamètre de la vis.
Veillez également à ce que le foret de la perceuse ne heurte pas les côtés des trous des cache-vis. Insérez les vis fournies dans les trous, puis serrez-les pour fixer le lave-vaisselle au meuble. Vérifiez que la cuve n'est pas déformée sous la pression des vis.
Si la cuve est déformée, desserrez un peu les vis.
Réinstallez les cache-vis de la cuve.
-  • Lorsque vous travaillez porte ouverte, une vis ou un cache-vis de la cuve risque de tomber dans le lave-vaisselle. Pour éviter cela, recouvrez l'intérieur du lave-vaisselle avec une serviette. Un corps étranger, tel qu'une vis, tombé dans le lave-vaisselle risquerait de provoquer des bruits, un fonctionnement anormal, des dommages ou un dysfonctionnement de l'appareil.
 - Utilisez un tournevis magnétique pour éviter que les vis ne tombent dans l'appareil.
 - Si vous faites tomber un corps étranger (tel qu'une vis) dans le lave-vaisselle et que vous ne parvenez pas à l'en retirer, l'appareil devra être démonté. Dans un tel cas, prenez contact avec un technicien de service qualifié.

<Figure 8>



<Figure 9>

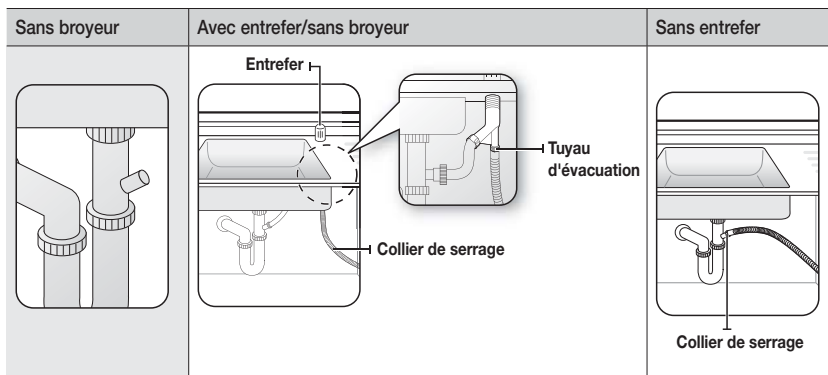


ÉTAPE 10 RACCORDER LE TUYAU D'ÉVACUATION

1. Contrôlez les pièces sur l'évier auxquelles le tuyau d'évacuation sera raccordé.
2. Il existe plusieurs façons d'insérer le tuyau d'évacuation dans le raccord du tuyau d'évacuation de l'évier (reportez-vous aux figures suivantes). Le raccordement du tuyau d'évacuation doit se faire conformément aux règlements sur l'installation de tuyaux d'eau en vigueur dans votre région.

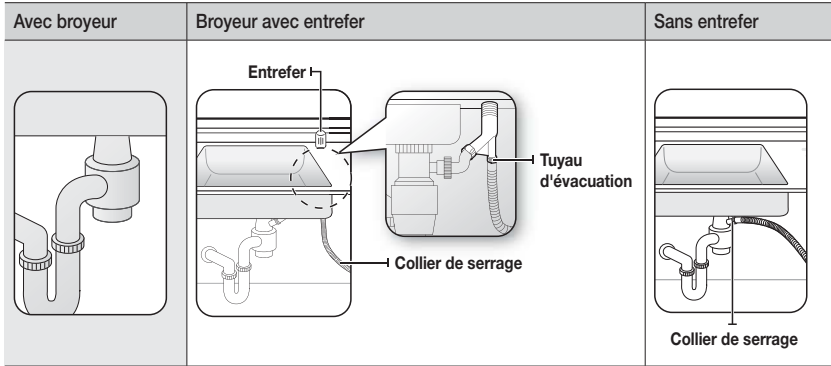
<Figure 10>

Premier cas. Sans broyeur




installation du lave-vaisselle

Deuxième cas. Avec broyeur



3. Vérifiez la taille du raccord du tuyau d'évacuation de l'évier. Au besoin, coupez le tuyau d'évacuation pour que son extrémité s'adapte au raccord de l'évier (1"ou 5/8", comme indiqué sur la Figure 11 ci-dessous). Si l'extrémité du tuyau d'évacuation n'est pas adaptée au raccord du tuyau d'évacuation de l'évier, utilisez un adaptateur en vente dans n'importe quel magasin de plomberie/matériel.
4. Faites glisser un collier de serrage sur l'extrémité du tuyau d'évacuation. Fixez le tuyau d'évacuation au raccord de l'évier, faites glisser le collier de serrage jusqu'à l'extrémité du tuyau et serrez le collier. Remarque : l'utilisation d'un collier de serrage est obligatoire. Ne pas en utiliser risque d'entraîner des fuites d'eau.
5. S'il n'y a pas d'entrefer, assurez-vous d'accrocher la partie centrale du tuyau de vidange bien au-dessus de la base du meuble sous-évier pour empêcher le retour d'eau (reportez-vous à la Figure 13 en page suivante).
6. Lorsque vous percez un trou dans le tuyau d'évacuation sur la paroi du meuble, veillez à ce que les bords tranchants du trou n'endommagent pas le tuyau d'évacuation. Sur les parois en bois, utilisez du papier abrasif pour poncer et rendre les bords plus lisses. Sur les parois métalliques, utilisez du ruban isolant ou du ruban pour conduits pour couvrir les bords tranchants autour du trou.
7. Veillez à ne pas endommager le tuyau d'évacuation lors de l'installation du lave-vaisselle sur le sol, le mur ou le meuble.

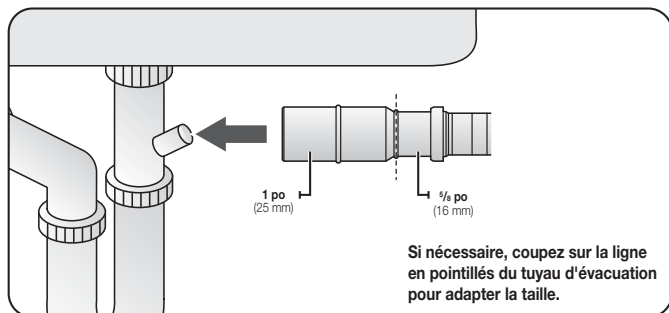
 Pour éviter toute fuite ou problème d'évacuation, assurez-vous que le tuyau d'évacuation n'est pas endommagé, plié ou vrillé.

8. Ne coupez pas la zone plissée sur le tuyau d'évacuation pour adapter la taille. Lors de l'installation du tuyau d'évacuation, veillez à ne pas toucher les bords tranchants du meuble ou sous l'évier.

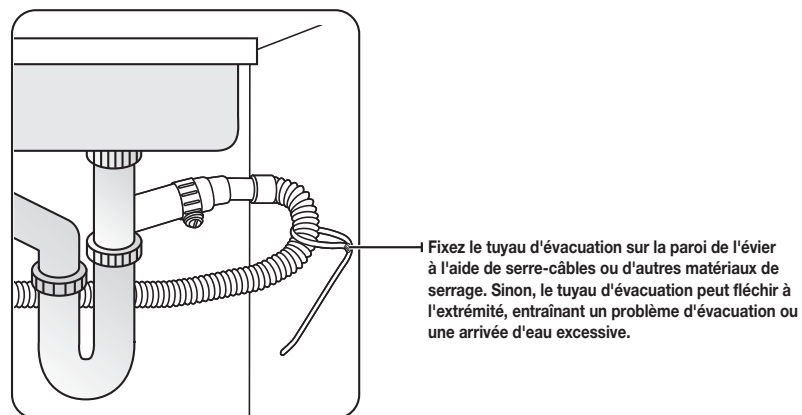


- Soyez prudent lorsque vous coupez l'extrémité du tuyau d'évacuation. Vous risquez de vous blesser. Nettoyez la partie entourant le raccord d'évacuation de l'évier pour éviter d'endommager le tuyau. Assurez-vous de l'absence de tout corps étranger dans le tuyau d'évacuation. S'il y en a, retirez-les.
- Lors de l'installation du tuyau d'évacuation, assurez-vous que le tuyau d'évacuation n'a pas été coupé, déchiré ou cassé par un bord tranchant du sol, de l'appareil lui-même ou du meuble. Un tuyau d'évacuation endommagé peut entraîner une fuite.

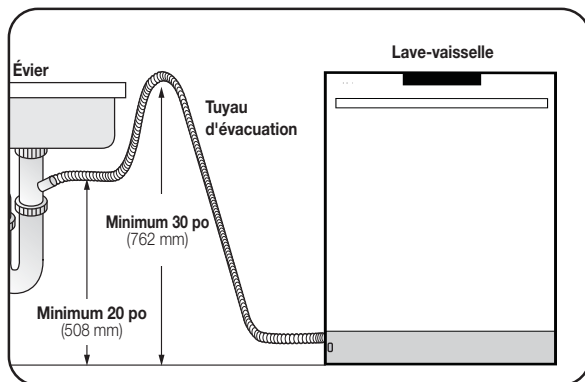
<Figure 11>



<Figure 12>



<Figure 13>

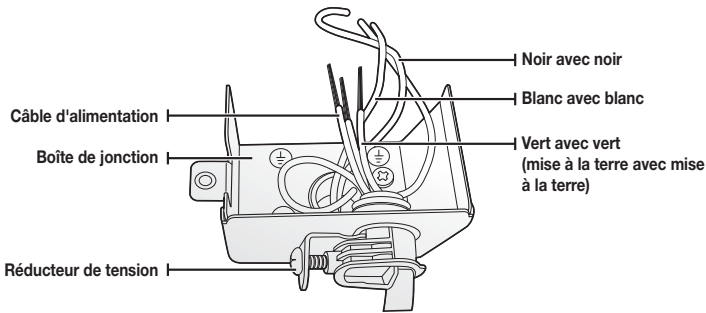


installation du lave-vaisselle

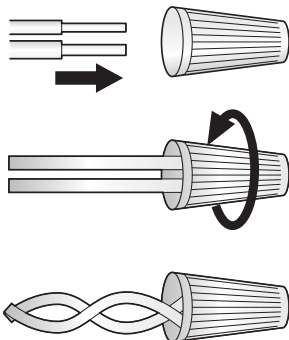
ÉTAPE 11 RACCORDER LES CÂBLES

1. Avant de raccorder le câble d'alimentation au lave-vaisselle, assurez-vous d'avoir coupé le disjoncteur.
2. Dans la boîte de jonction située en bas à droite et à l'avant du lave-vaisselle, localisez les trois fils d'alimentation du lave-vaisselle, y compris le câble de mise à la terre.
3. Passez le câble d'alimentation dans le réducteur de tension, puis dans la boîte de jonction (Figure 14).
4. Raccordez le fil noir du lave-vaisselle au fil noir du câble d'alimentation en les insérant tous les deux dans un serre-fils et en tournant le connecteur, comme indiqué sur la Figure 15.
Raccordez le fil blanc au fil blanc et le fil vert au fil vert de la même manière.
5. Vérifiez à nouveau chaque câble afin de vous assurer qu'il est correctement et fermement branché.
Chaque câble coloré doit être branché au câble correspondant de la même couleur.
Le blanc doit être branché avec le blanc, le noir avec le noir et le vert avec le vert.
6. Réinstallez ensuite le cache de la boîte de jonction du lave-vaisselle.

<Figure 14>



<Figure 15>



AVERTISSEMENT


Risque d'électrocution

Pour éviter toute électrocution, ne travaillez pas avec un circuit sous tension. Cela pourrait entraîner des blessures graves voire mortelles. Seuls des électriciens qualifiés doivent effectuer des travaux électriques. Ne tentez aucune action sur le circuit d'alimentation électrique du lave-vaisselle tant que vous n'êtes pas certain que le circuit est hors tension.

AVERTISSEMENT

Risque d'incendie

Pour éviter tout incendie, assurez-vous que les circuits électriques sont correctement installés. Seuls des électriciens qualifiés doivent effectuer des travaux électriques.

-  Vérifiez à nouveau chaque câble afin de vous assurer qu'il est correctement et fermement branché.
Chaque câble coloré doit être branché au câble correspondant de la même couleur.

ÉTAPE 12 TERMINER L'INSTALLATION

1. Ouvrez la porte du lave-vaisselle et retirez toute la mousse, l'emballage en papier et tout ce qui est inutile.
2. Remettez alors sous tension le disjoncteur que vous aviez coupé avant de commencer l'installation.
3. Ouvrez ensuite la vanne d'arrivée d'eau pour amener l'eau jusqu'au lave-vaisselle.
4. Allumez le lave-vaisselle, puis sélectionnez et lancez un cycle.



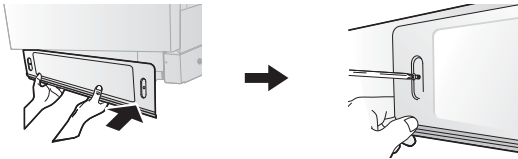
Assurez-vous qu'il se met correctement sous tension et qu'il n'y a aucune fuite d'eau lorsque le lave-vaisselle est en marche. Si aucun problème ne survient pendant son utilisation, éteignez le lave-vaisselle, puis passez à l'Étape 5 ci-dessous.

Si un problème survient, éteignez le lave-vaisselle, fermez la vanne d'arrivée d'eau et consultez le manuel d'utilisation ou appelez le centre d'assistance technique au 1-800-SAMSUNG (726-7864).



Vérifiez l'absence de fuites d'eau au niveau des deux extrémités du tuyau d'arrivée d'eau et du raccordement du tuyau d'évacuation.

5. Assurez-vous que le joint d'étanchéité de la plaque de protection se trouve bien en bas de la plaque de protection. Installez la plaque de protection en vous reportant à la figure ci-dessous.



caractéristiques techniques

Alimentation	120 V, 60 Hz CA uniquement
Pression d'eau	20 à 120 psi (140 à 830 kPa)
Dimensions (largeur x profondeur x hauteur)	23 ⁷ / ₈ x 24 ³ / ₄ x 33 ⁹ / ₁₀ po (605 x 627 x 860 mm) (série DW80K7050) 23 ⁷ / ₈ x 24 ¹ / ₂ x 33 ⁹ / ₁₀ po (605 x 621,5 x 860 mm) (série DW80K5050)
Température nominale de l'arrivée d'eau	120 °F (49 °C)



Les caractéristiques techniques sont susceptibles d'être modifiées sans préavis, à des fins d'amélioration de la qualité.
Le lave-vaisselle peut différer des illustrations présentées dans le présent manuel.

remarques

SAMSUNG