



Liberty Furniture
INDUSTRIES, INC

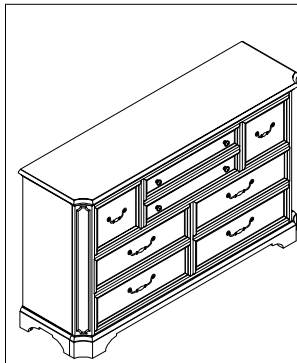
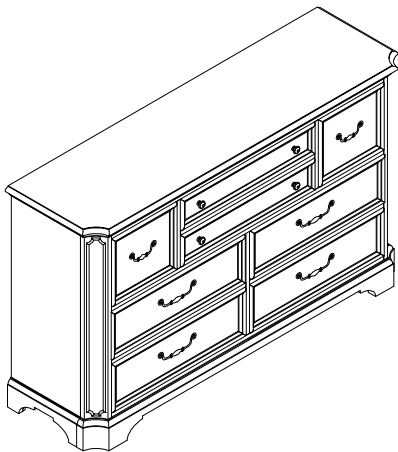
LIBERTY FURNITURE
ASSEMBLY INSTRUCTION

Item#: 455W-BR31

DESCRIPTION: 8 DRAWER DRESSER

Thank you for purchasing this quality product. Be sure to check all packing material carefully for small parts which may have come loose inside the carton during shipment. Identify and count all parts and compare with the parts List Below:

PART LIST:



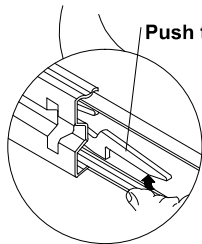
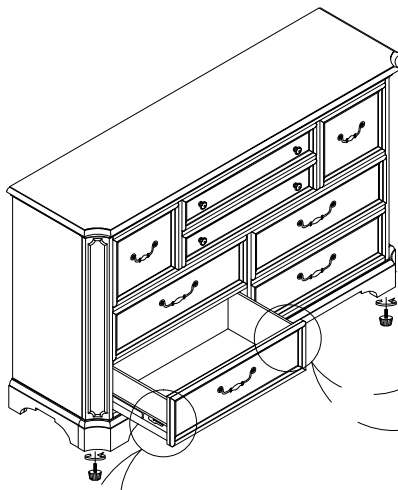
8 DRAWER DRESSER: 1PC

HARDWARE LIST

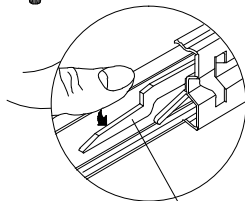
NO.	Drawing	Description	Q'ty
A		Furniture Tipping Restraint	1 Set

HOW TO REMOVE DRAWER

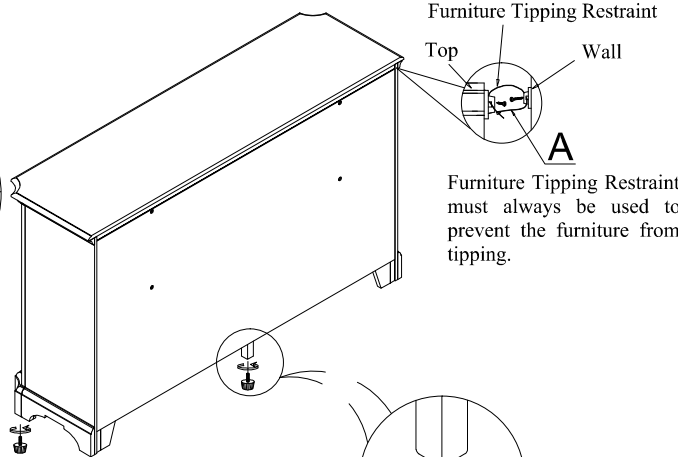
To remove drawer, simultaneously pull tab up on one side and push down on the other and remove drawer.



Push tab up



Push tab down



Furniture Tipping Restraint

Top Wall

A

Furniture Tipping Restraint must always be used to prevent the furniture from tipping.

LEVELER

CLEANING INSTRUCTION

Clean the 8 Drawer Dresser surface with a furniture polish and a soft cloth.

Made in VietNam