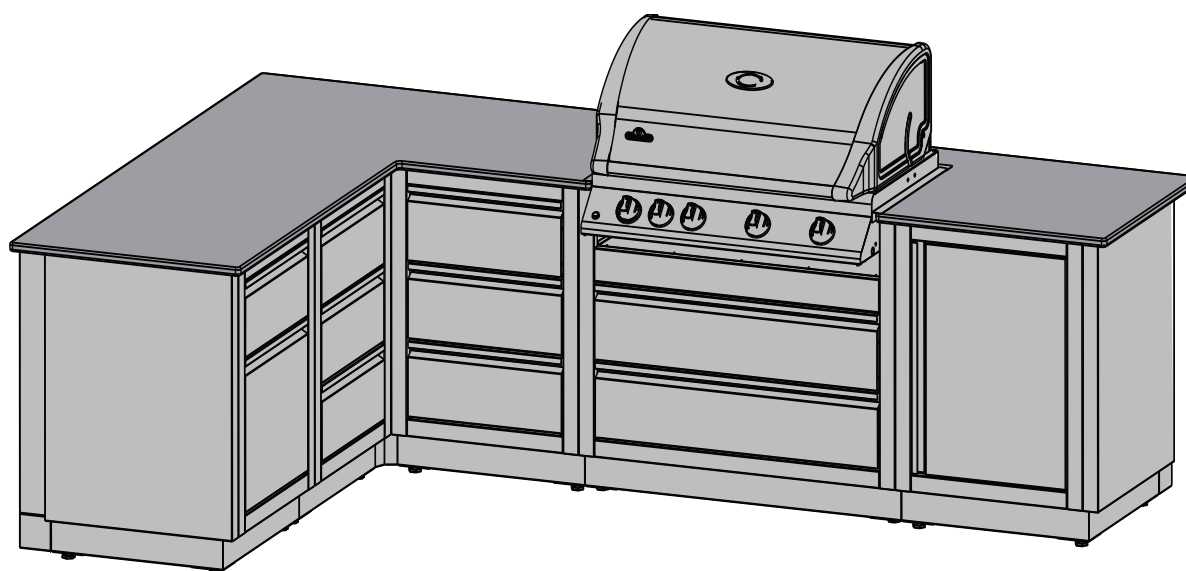


EN

FR
PG.17



OASIS MODULAR CABINET PLANNING GUIDE

Wolf Steel Ltd.
214 Bayview Drive,
Barrie, Ontario, CANADA L4N 4Y8
grills@napoleonproducts.com

Wolf Steel Europe BV
Poppenbouwing 29-31, 4191 NZ Geldermalsen,
CCI No. 51509970, THE NETHERLANDS
info@napoleongrills.nl

RETAIN THIS MANUAL FOR FUTURE REFERENCE.

Napoleon President's 10 Year Limited Warranty



NAPOLEON products are designed with superior components and materials, and are assembled by trained craftsmen who take great pride in their work. The burner and valve assembly are leak tested and test-fired at a quality test station. This grill has been thoroughly inspected by a qualified technician before packaging and shipping to ensure that you, the customer, receive the quality product you expect from NAPOLEON.

NAPOLEON warrants that components in your new NAPOLEON product will be free from defects in material and workmanship from the date of purchase, for the following period:

| | |
|---|--|
| Aluminum castings / stainless steel base | 10 years |
| Stainless steel tube burners | 10 years |
| Ceramic infrared burners (excluding screen) | 5 years full coverage, plus 50% off until the 10th year |
| Stainless steel lid, door and drawer panels | 5 years full coverage, plus 50% off until the 10th year |
| Porcelain-enameled cast iron cooking grids | 5 years full coverage, plus 50% off until the 10th year |
| Stainless steel or porcelain sear plates | 5 years full coverage, plus 50% off until the 10th year |
| Hinges, slides and enclosures | 3 years full coverage, plus 50% off until the 10th year |
| All other parts | 2 years |

*Conditions and Limitations

This Limited Warranty creates a warranty period as specified in the aforementioned table, for any product purchased through an authorized NAPOLEON dealer, and entitles the original purchaser to the specified coverage in respect of any component replaced within the warranty period, either by NAPOLEON or an authorized NAPOLEON dealer, to replace a component of such product that has failed in normal private use as a result of a manufacturing defect. The "50% off" indicated in the table means the component is made available to the purchaser at a 50% discount off the regular retail price of the component for the period indicated. This Limited Warranty does not cover accessories or bonus items.

For greater certainty, "normal private use" of a product means that the product: has been installed by a licensed, authorized service technician or contractor, in accordance with the installation instructions included with the product and all local and national building and fire codes; has been properly maintained; and has not been used as a communal amenity or in a commercial application.

Similarly, "failure" does not include: over-firing, blow outs caused by environmental conditions such as strong winds or inadequate ventilation, scratches, dents, corrosion, deterioration of painted and plated finishes, discoloration caused by heat, abrasive or chemical cleaners or UV exposure, chipping of porcelain enameled parts, or damages caused by misuse, accident, hail, grease fires, lack of maintenance, hostile environments such as salt or chlorine, alterations, abuse, neglect or parts installed from other manufacturers.

Should deterioration of parts occur to the degree of non-performance (rusted through or burnt through) within the duration of the warranted coverage, a replacement part will be provided. The replacement component is the sole responsibility of NAPOLEON defined by this Limited Warranty; in no event will NAPOLEON be responsible for installation, labor or any other costs or expenses related to the re-installation of a warranted part, for any incidental, consequential, or indirect damages or for any transportation charges, labor costs or export duties.

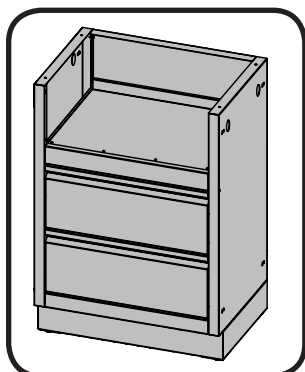
This Limited Warranty is provided in addition to any rights afforded to you by local laws. Accordingly, this Limited Warranty imposes no obligation upon NAPOLEON to keep parts in stock. Based on the availability of parts, NAPOLEON may at its discretion discharge all obligations by providing a customer a prorated credit towards a new product. After the first year, with respect to this Limited Warranty NAPOLEON may, at its discretion, fully discharge all obligations with respect to this warranty by refunding to the original warranted purchaser the wholesale price of any warranted but defective part(s).

The bill of sale or copy will be required together with a serial number and a model number when making any warranty claims from NAPOLEON. NAPOLEON reserves the right to have its representative inspect any product or part prior to honoring any warranty claim. You must contact NAPOLEON Customer Service or an authorized NAPOLEON dealer to obtain the benefit of the warranty coverage.

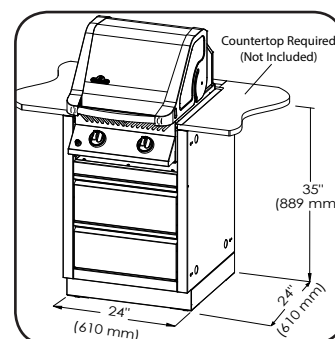


napoleongrills.com

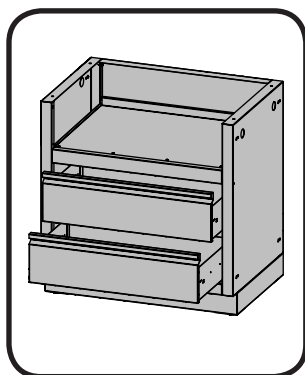
IM-UGC300 245/300 UNDER GRILL CABINET



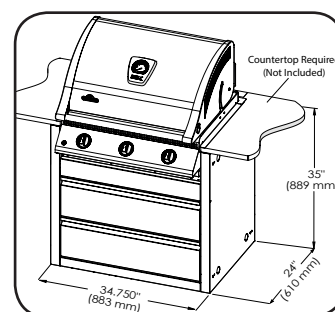
- under grill cabinet required for BISZ300 or BISB245 units
- grill head not included
- 2 drawers on roller slides
- rear and side panels have removable knockouts for gas piping
- stainless steel drawer fronts
- adjustable leveling feet
- shipped fully assembled



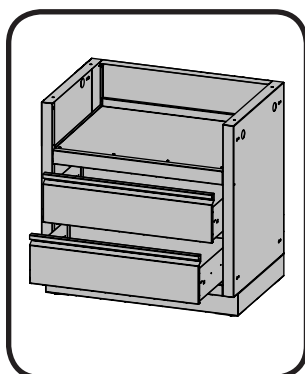
IM-UGC485 485 UNDER GRILL CABINET



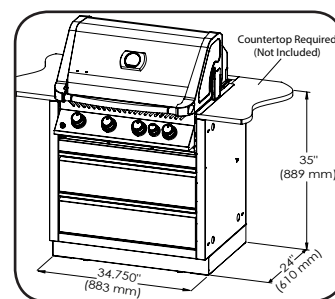
- under grill cabinet required for BILEX485 units
- grill head not included
- 2 drawers on roller slides
- rear and side panels have removable knockouts for gas piping
- stainless steel drawer fronts
- adjustable leveling feet
- shipped fully assembled



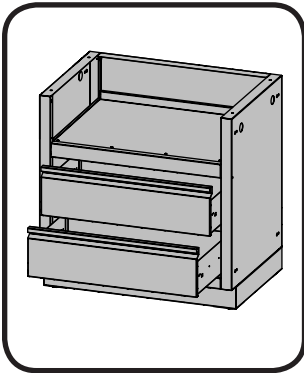
IM-UGC500 500 UNDER GRILL CABINET



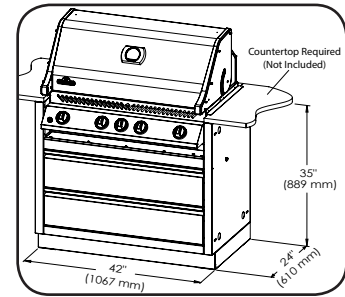
- under grill cabinet required for BIP500 / BIPRO500 units
- grill head not included
- 2 drawers on roller slides
- rear and side panels have removable knockouts for gas piping
- stainless steel drawer fronts
- adjustable leveling feet
- shipped fully assembled



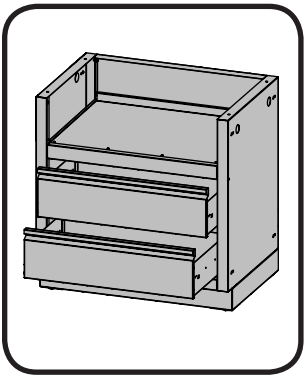
IM-UGC600 600 UNDER GRILL CABINET



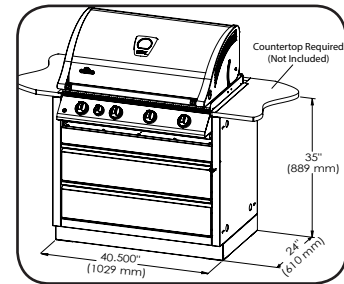
- under grill cabinet required for BIPT600 / BIPRO600 units
- grill head not included
- 2 drawers on roller slides
- rear and side panels have removable knockouts for gas piping
- stainless steel drawer fronts
- adjustable leveling feet
- shipped fully assembled



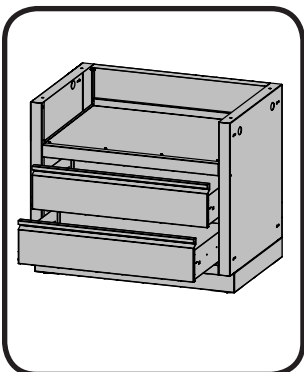
IM-UGC605 605 UNDER GRILL CABINET



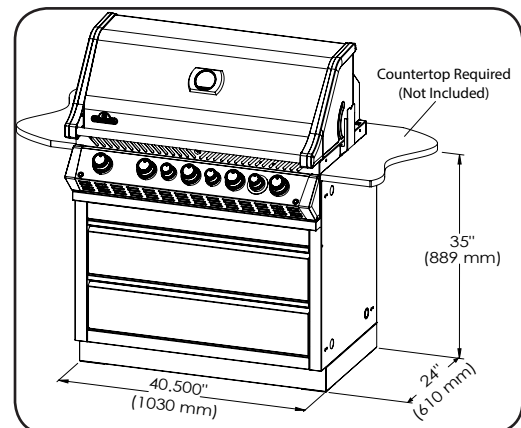
- under grill cabinet required for BILEX605 units
- grill head not included
- 2 drawers on roller slides
- rear and side panels have removable knockouts for gas piping
- stainless steel drawer fronts
- adjustable leveling feet
- shipped fully assembled



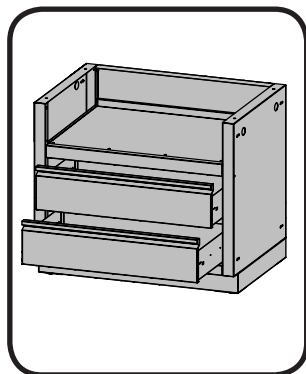
IM-UGC665 665 UNDER GRILL CABINET



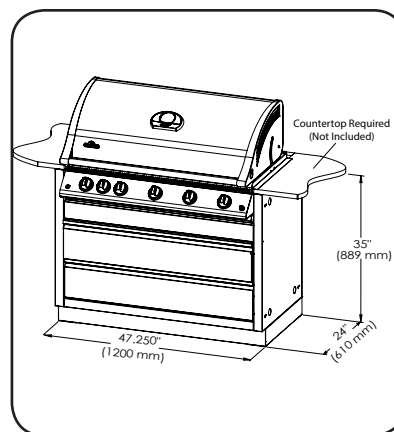
- under grill cabinet required for BIPRO665 units
- grill head not included
- 2 drawers on roller slides
- rear and side panels have removable knockouts for gas piping
- stainless steel drawer fronts
- adjustable leveling feet
- shipped fully assembled



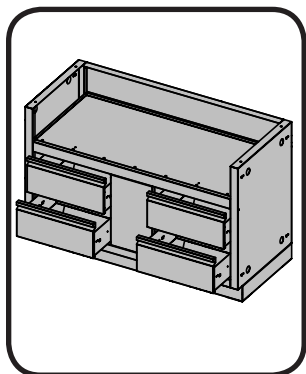
IM-UGC730 730 UNDER GRILL CABINET



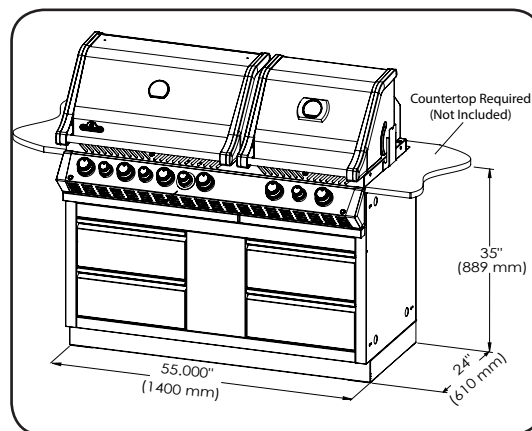
- under grill cabinet required for BILEX730 units
- grill head not included
- 2 drawers on roller slides
- rear and side panels have removable knockouts for gas piping
- stainless steel drawer fronts
- adjustable leveling feet
- shipped fully assembled



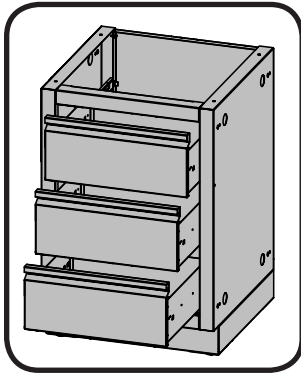
IM-UGC825 825 UNDER GRILL CABINET



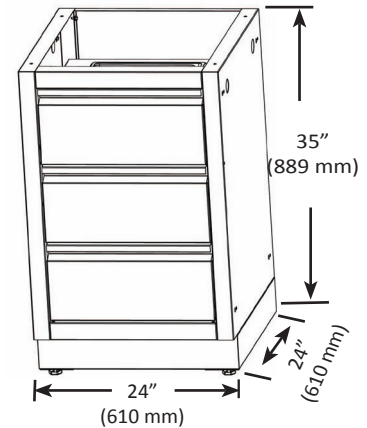
- under grill cabinet required for BIPRO825 units
- grill head not included
- 4 drawers on roller slides
- rear and side panels have removable knockouts for gas piping
- stainless steel drawer fronts
- adjustable leveling feet
- shipped fully assembled



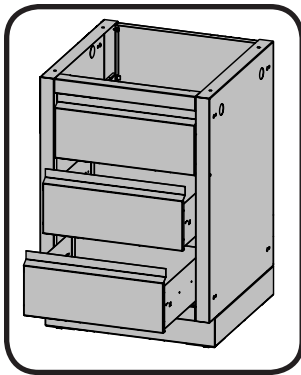
IM-3DC 3 DRAWER CABINET



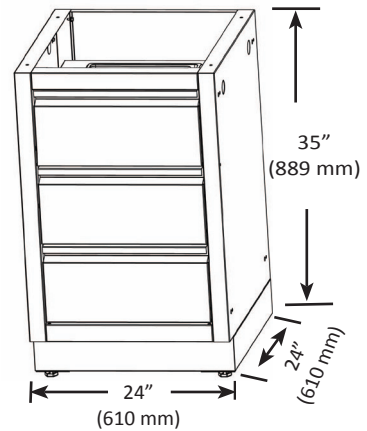
- 3 drawers on roller slides
- stainless steel drawer fronts
- adjustable leveling feet
- shipped fully assembled



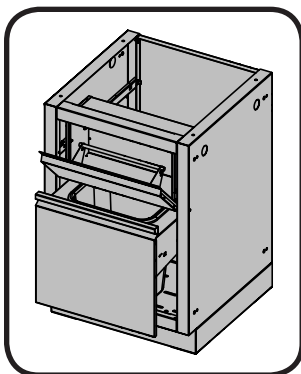
IM-2DC 2 DRAWER CABINET



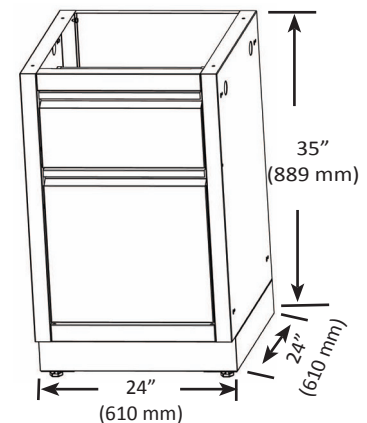
- 2 drawers on roller slides
- stainless steel drawer fronts
- adjustable leveling feet
- top drawer is a false drawer
- use this when installing a sink or side burner above the cabinet
- shipped fully assembled



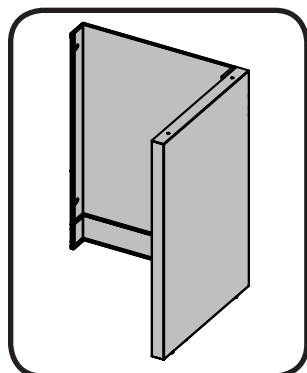
IM-WDC WASTE DRAWER W/PAPER TOWEL HOLDER



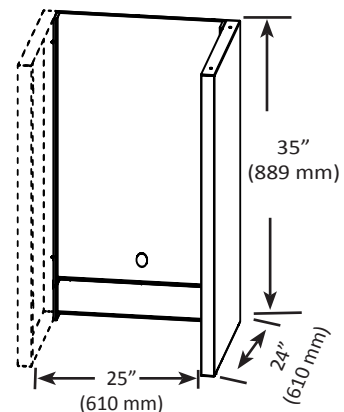
- 1 waste drawer on roller slides
- sturdy removable waste bucket
- top level enclosed paper towel holder
- stainless steel drawer fronts
- adjustable leveling feet
- cannot be used under optional side burner or sink
- shipped fully assembled



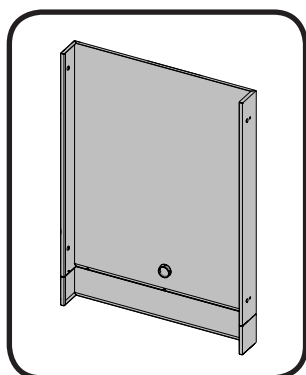
IM-FEP FRIDGE CABINET END



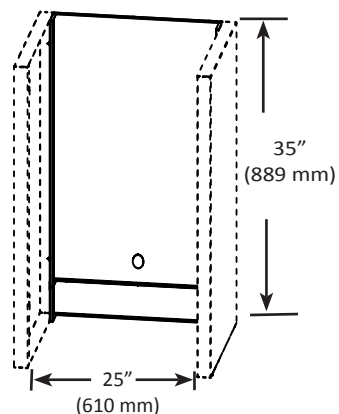
- do not place directly beside barbecue
- cannot be used under optional side burner or sink
- a minimum gap of 6" (150mm) is required between the rear of the cabinet and adjacent structures
- adjustable leveling feet
- Napoleon model NFR055ORSS.



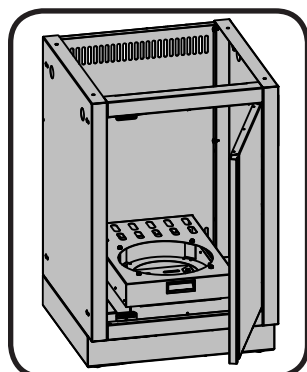
IM-FMP FRIDGE CABINET MIDDLE



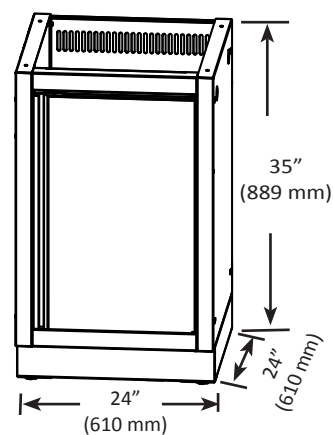
- do not place directly beside barbecue
- cannot be used under optional side burner or sink
- a minimum gap of 6" (150mm) is required between the rear of the cabinet and adjacent structures
- Napoleon model NFR055ORSS.



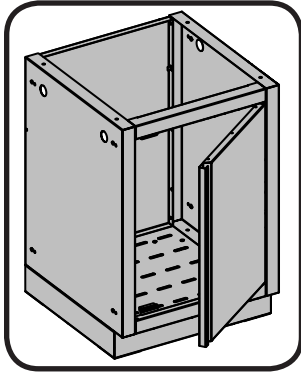
IM-UTC PROPANE TANK CABINET



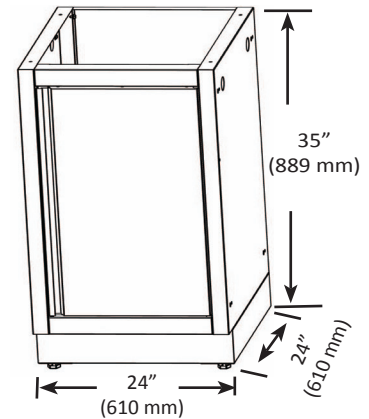
- propane tank storage cabinet
- stainless steel door front
- universal door, right or left opening
- pullout shelf for easy propane tank installation
- adjustable leveling feet
- shipped fully assembled



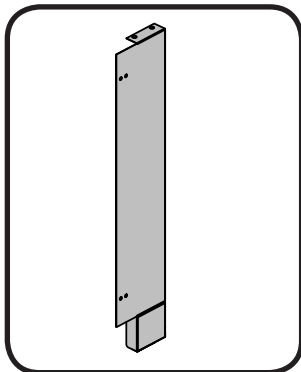
IM-UDC UNIVERSAL DOOR CABINET



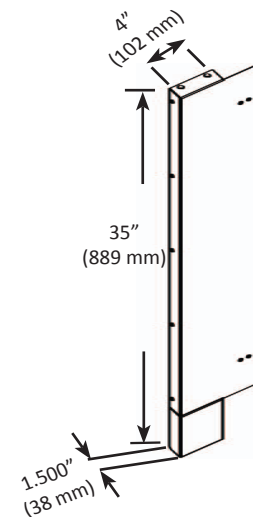
- reversible door, left or right opening
- stainless steel door
- excellent outdoor storage
- adjustable leveling feet
- shipped fully assembled



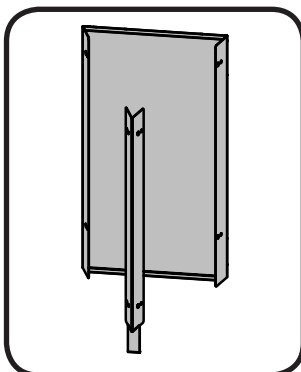
IM-WSF WALL SPACER



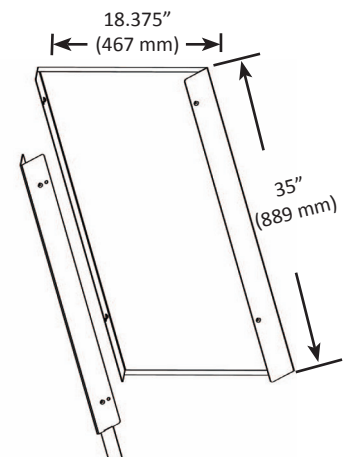
- painted panels
- maintain required offset for installations fit against wall of house or landscaping (for lid to open)
- clearance to combustibles must be maintained according to the rating plate on the grill
- block off gap between cabinet and house



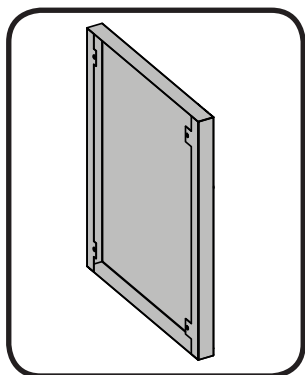
IM-45T 45 DEGREE TRANSITION



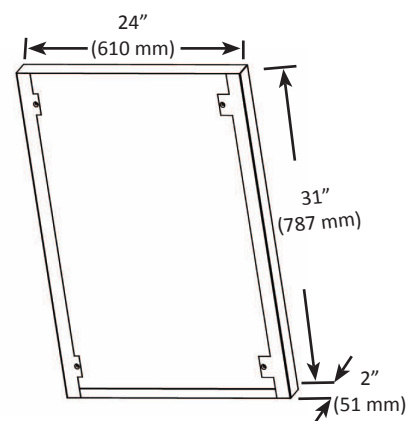
- painted transition panels to join 2 cabinets at 45 degree angle.
- can be doubled up to create 90 degree transition
- if a transition is used directly beside a grill, an IM-2DC (2 drawer module must be used on the other side of the transition (other drawer/door modules may interfere with the grill control panel.)



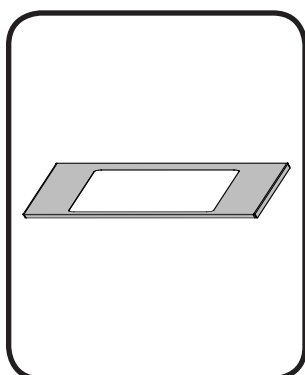
IM-CEP END PANEL



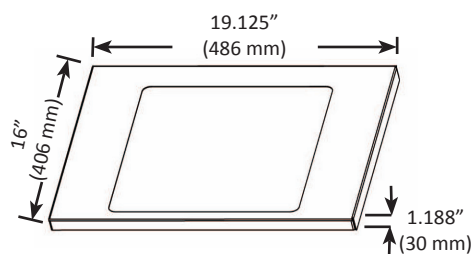
- painted end panel
- used at the end of run of cabinets to cover knock-outs and mounting holes



IM-IBA ICE BUCKET HOLDER



- stainless steel tray
- fits on top of standard drawer
- holds standard stainless steel serving trays large to small combinations



PLANNING YOUR NAPOLEON MODULAR OUTDOOR ISLAND

The Napoleon Outdoor Modular Island series has been developed with versatility in mind. The cabinets can be assembled in virtually any combination to suit your individual needs. They can be assembled against a house wall or as a standalone island, becoming the focal point of your backyard. With multi-function and storage capabilities, your backyard island can be transformed into an outdoor kitchen, placing the host in the center of the action when entertaining guests.

The cabinets are designed to be easy to assemble and install for either the home owner or private contractor. All cabinets are 35" (889 mm) tall by 24" (610 mm) deep. All cabinets are 24" (610 mm) wide except for the BUILT-IN grill cabinets whose width correspond to the width of the unit it was designed for. The temperature control is located at the back of the fridge. The cabinet has a removable panel which allows access to the temperature control. Ensure that there is access to the panel when the cabinet is installed. Each cabinet has 4 leveling feet for adjustment on even surfaces. The 2 drawer cabinets are made to fit the Napoleon BUILT-IN series of grills only, available in several different sizes. BUILT-IN grills come in several different sizes. Refer to the installation manuals that come with the grill head for proper installation and operating instructions.

The BUILT-IN series of grills can be ordered in your choice of propane or natural gas configuration. Natural gas is an obvious selection for many people that already have it available in their home. All gas modifications or installations must be done by a qualified gas installer. Knockouts are present in the side and rear panels for easy piping and installation. For those who order a propane grill, a propane tank cabinet is available.

The cabinets can be installed against a **NON-COMBUSTIBLE** wall of a house, a masonry or stucco half-wall, or freestanding in an island configuration. Ensure there is adequate ventilation behind the fridge cabinet – a minimum gap of 6" (150mm) is required between the back of the cabinet and adjacent structures. Never block the vents located on the back of the cabinet. Failure to do so can result in the fridge overheating. An optional 4" (102 mm) spacer panel must be purchased and installed when placing an island against a wall to allow clearance for the grill lid to open. The spacer also provides closure for the cabinet to prevent debris or rodents from entering behind the cabinets. A powdercoated, 2" (51 mm) wide end panel can be purchased to cover the knockouts and mounting holes in the outside panels in a run of cabinets, giving a more finished look.

When utilizing 45° and 90° transitions in your design, modules on either side of the transition need to be chosen carefully. If doors or drawers are used on either side of the transition, they will interfere with each other when opened. If a drawer module is placed next to a grill, the control panel on the grill will prevent the top drawer from opening. The same applies to the paper towel/garbage module. Door modules can be used with 45° transitions, but the control panel will prevent the door from fully opening and may damage the door. The best module for this application is the 2 drawer module (false drawer at the top).

Optional built-in sideburner kits are available through your Napoleon Gas Grill dealer. These sideburner kits are an excellent complement to the BUILT-IN series of grills. We recommend that the sideburner kit be installed over top of the IM-2DC cabinet. It has the false drawer front at the top of the cabinet which allows clearance for the sideburner valve and hose routing. The IM-2DC cabinet also provides the necessary clearance for those who would like to install a sink in their outdoor kitchen.

Countertops must be ordered and supplied locally by the homeowner. The countertop material must be **NON-COMBUSTIBLE** if a grill is to be installed into it. They can be ordered in advance by drawing out the floorplan of how the cabinets will be situated and adding up the width measurements, allowing 1-2 inches (25 mm-51 mm) of countertop overhang. Most countertop manufacturers are willing to come and take measurements after assembly of the cabinets is complete to ensure a perfect fit.

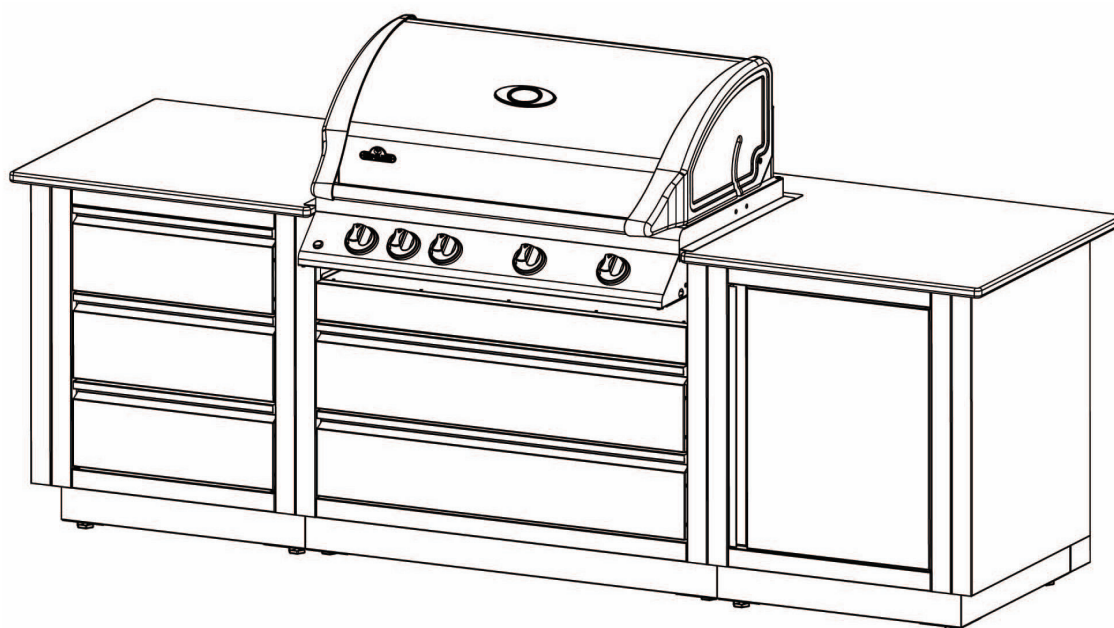


The built-in grillhead comes with stainless steel brackets and hardware that allow the unit to rest on the countertop above the corresponding island cabinet for that unit. Granite or Corian are excellent choices of countertop materials. In order for the drip pan to slide in and out properly, the grill head must be supported by a countertop with a thickness between ½" (13mm) and 1 ½" (38mm).

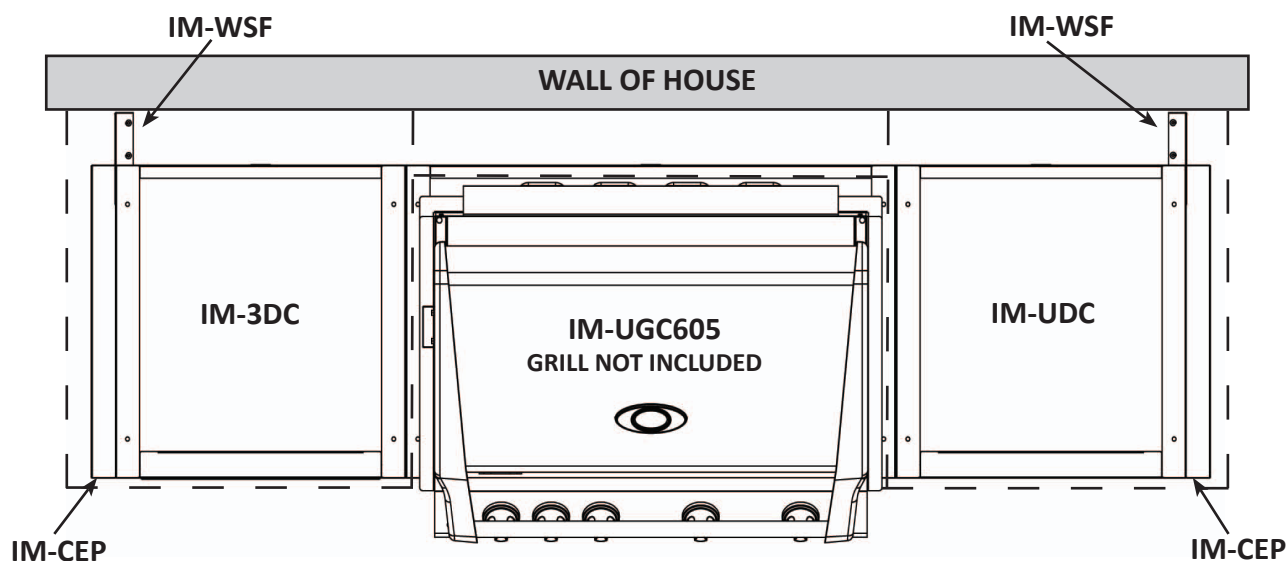
Decorative countertops made of ceramic tile set on top of cement tiling board can be made to match your surrounding backyard furniture colors.

EXAMPLE 1: 605 BUILT-IN ISLAND AGAINST NON-COMBUSTIBLE WALL

EN



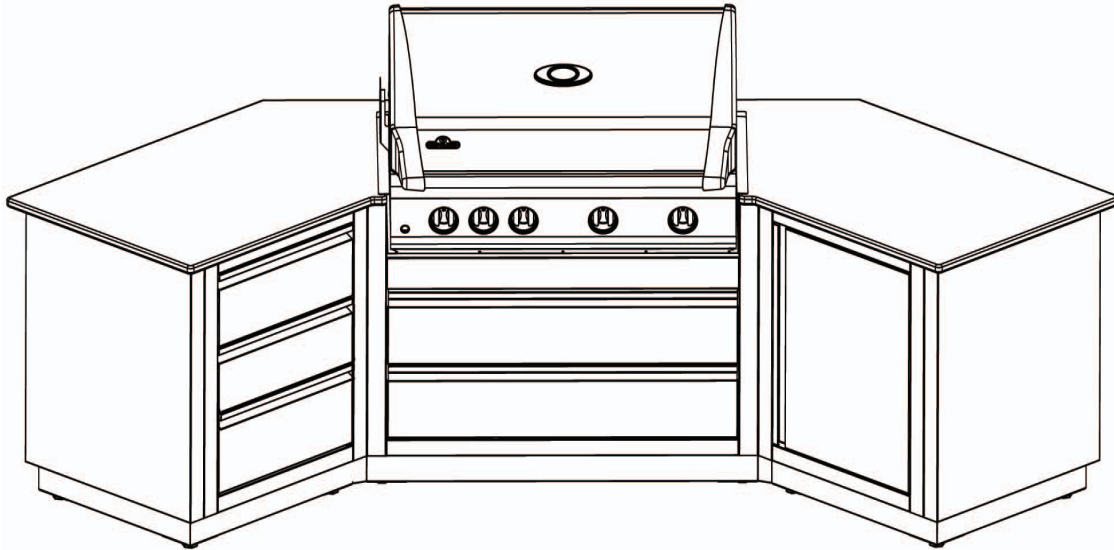
The above example is shown built against a non-combustible house wall. Below, the dashed line represents the perimeter of the countertop (not supplied). It has the IM-WSF kit in 2 places which stands the unit off from the wall the required 4" (102 mm) to create clearance for opening the lid of the grill. **The WSF (wall spacer kit) does not provide enough offset to allow the unit to be placed against a combustible wall. The clearance marked on the rating plate of the grill still needs to be maintained.** The kit extends from the countertop to the patio or deck surface, blocking off the area behind the island, preventing debris from entering behind the cabinet. Also shown is the IM-CEP, end panel, which creates a finished look to the ends of the assembled cabinets by covering the exposed knockouts and mounting holes.



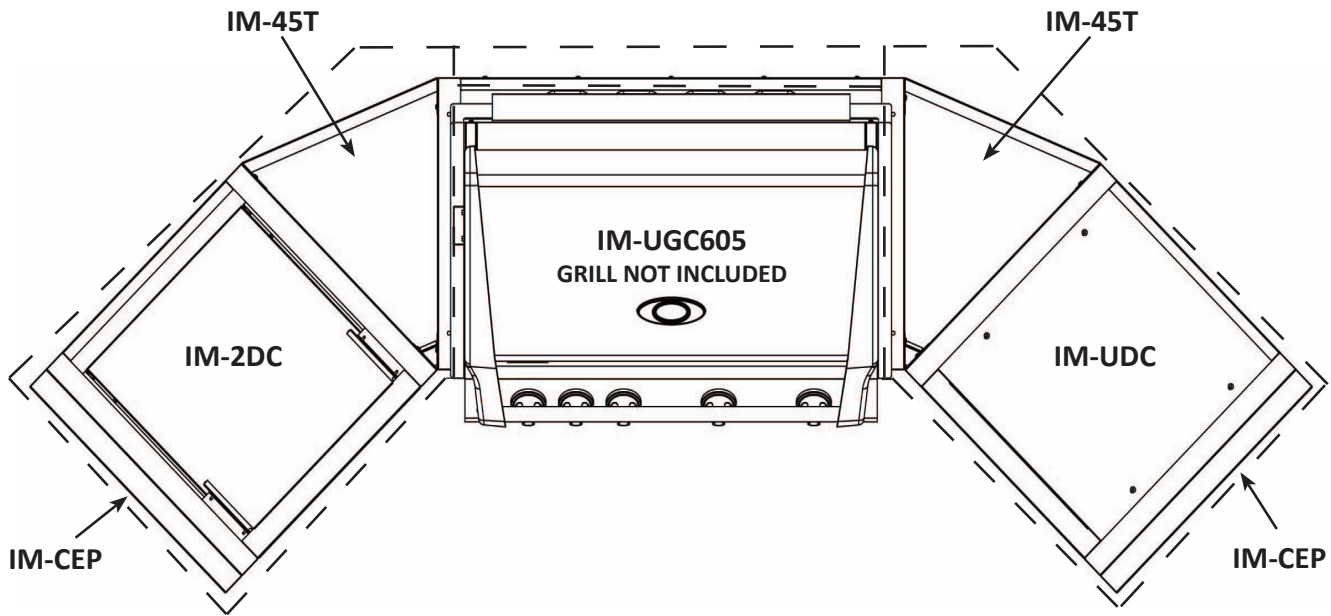
| MODULE | DESCRIPTION | QTY | SUBSTITUTE | DESCRIPTION | QTY |
|----------------|-------------------------|-----|--------------|-------------------------|-----|
| * IM-UGC605-CN | UNDER UNIT CABINET 605 | 1 | | | |
| * BILEX605RB-N | LEX 605 BUILTIN NATURAL | 1 | BILEX605RB-P | LEX 605 BUILTIN PROPANE | 1 |
| IM-UDC-CN | SINGLE DOOR CABINET | 1 | IM-UTC-CN | PROPANE TANK CABINET | 1 |
| IM-3DC-CN | THREE DRAWER CABINET | 1 | | | |
| IM-CEP-CN | CABINET END PANEL | 2 | | | |

***Other grill heads can also be substituted. Ensure the under grill cabinet corresponds to the unit.**

EXAMPLE 2: 605 BUILT-IN ANGLED ISLAND



The above example is shown built as a stand alone island. Below, the dashed line represents the perimeter of the countertop (not supplied). The unit is angled by applying the IM-45T kit on either side of the unit which rotates the side cabinets at a 45° angle. Also shown is the IM-CEP, end panel, which creates a finished look to the ends of the assembled cabinets by covering the exposed knockouts and mounting holes.

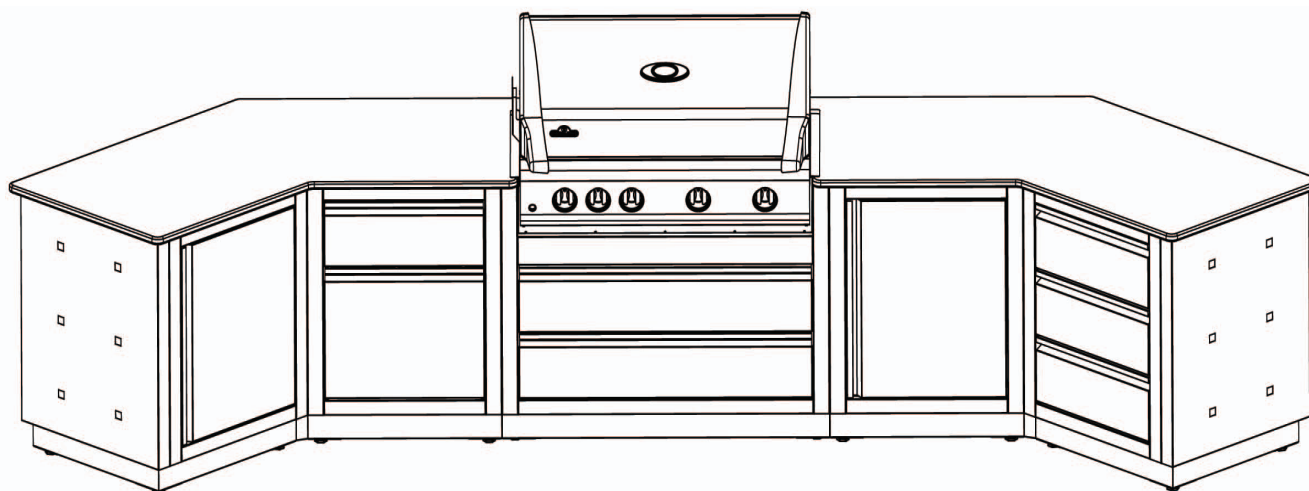


| MODULE | DESCRIPTION | QTY | SUBSTITUTE | DESCRIPTION | QTY |
|----------------|-------------------------|-----|--------------|-------------------------|-----|
| * IM-UGC605-CN | UNDER UNIT CABINET 605 | 1 | | | |
| * BILEX605RB-N | LEX 605 BUILTIN NATURAL | 1 | BILEX605RB-P | LEX 605 BUILTIN PROPANE | 1 |
| IM-UDC-CN | SINGLE DOOR CABINET | 1 | IM-UTC-CN | PROPANE TANK CABINET | 1 |
| IM-2DC-CN | TWO DRAWER CABINET | 1 | | | |
| IM-45T-CN | 45 DEGREE PANEL KIT | 2 | | | |
| IM-CEP-CN | CABINET END PANEL | 2 | | | |

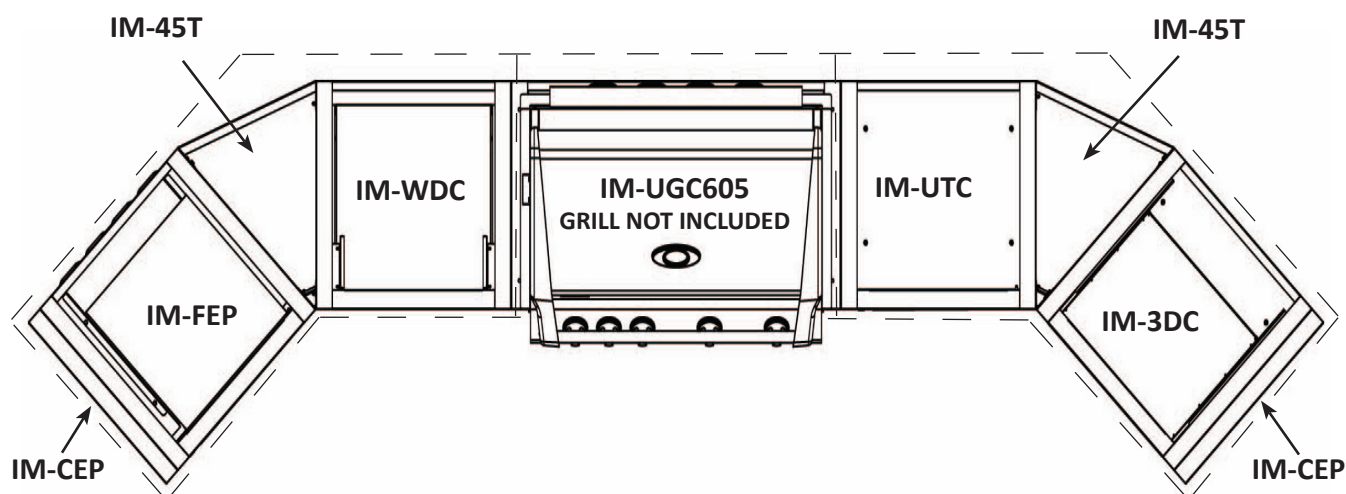
***Other grill heads can also be substituted. Ensure the under grill cabinet corresponds to the unit.**

EXAMPLE 3: 605 BUILT-IN ANGLED ISLAND

EN



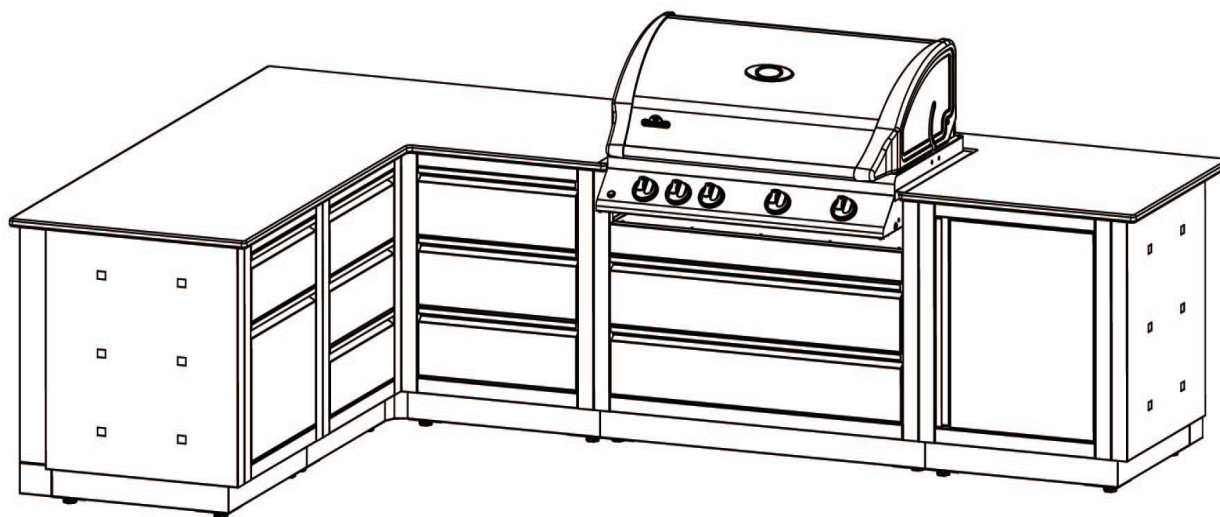
The above example is shown built as a stand alone island. Below, the dashed line represents the perimeter of the countertop (not supplied). The unit is angled by applying the IM-45T kit between the cabinets which rotates the side cabinets at a 45° angle. Also shown is the IM-CEP, end panel, which creates a finished look to the ends of the assembled cabinets by covering the exposed knockouts and mounting holes.



| MODULE | DESCRIPTION | QTY | SUBSTITUTE | DESCRIPTION | QTY |
|----------------|-------------------------|-----|--------------|-------------------------|-----|
| * IM-UGC605-CN | UNDER UNIT CABINET 605 | 1 | | | |
| * BILEX605RB-P | LEX 605 BUILTIN PROPANE | 1 | BILEX605RB-N | LEX 605 BUILTIN NATURAL | 1 |
| IM-UTC-CN | PROPANE TANK CABINET | 1 | IM-UDC-CN | SINGLE DOOR CABINET | 1 |
| IM-FEP-CN | FRIDGE CABINET END | 1 | IM-3DC-CN | THREE DRAWER CABINET | 1 |
| IM-3DC-CN | THREE DRAWER CABINET | 1 | IM-FEP-CN | FRIDGE CABINET END | 1 |
| IM-WDC-CN | WASTE DRAWER CABINET | 1 | | | |
| IM-45T-CN | 45 DEGREE PANEL KIT | 2 | | | |
| IM-CEP-CN | CABINET END PANEL | 2 | | | |

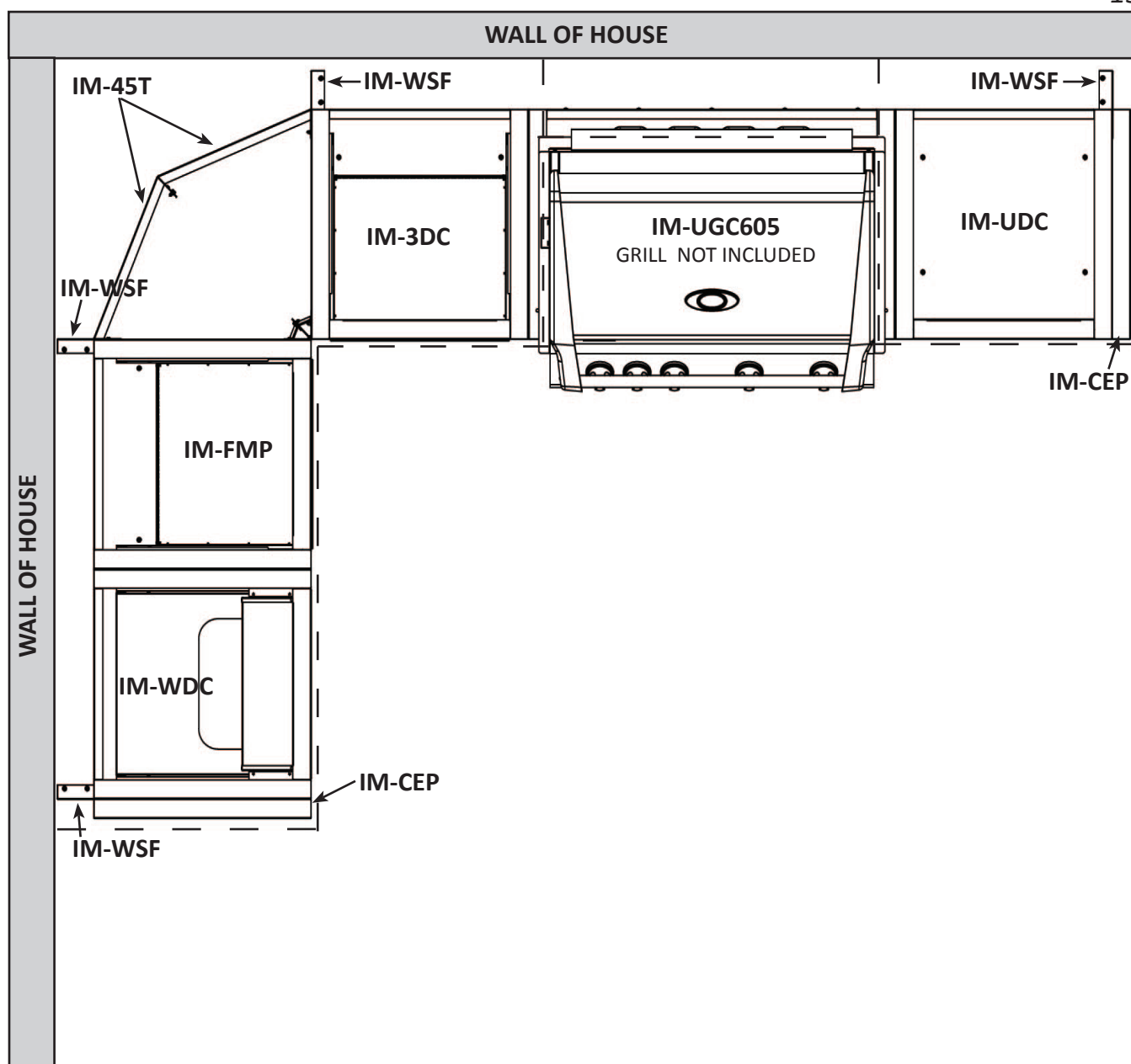
***Other grill heads can also be substituted. Ensure the under grill cabinet corresponds to the unit. Napoleon model NFR055ORSS.**

EXAMPLE 4: 605 BUILT-IN 90° ISLAND AGAINST NON-COMBUSTIBLE WALL



The following example is shown built against a non-combustible house wall. Below, the dashed line represents the perimeter of the countertop (not supplied). It has the IM-WSF kit in 4 places, which stands the unit of from the wall the required 4" (102 mm) to create clearance for opening the lid of the grill. **The WSF (wall spacer kit) does not provide enough offset to allow the unit to be placed against a combustible wall. The clearance marked on the rating plate of the grill still needs to be maintained.**

The kit extends from the countertop to the patio or deck surface blocking off the area behind the island, preventing debris from entering behind the cabinet. The 90° bend in the cabinet is created by attaching together 2 IM-45T kits, which also lend support to the countertop. Also shown is the IM-CEP, end panel, which creates a finished look to the ends of the assembled cabinets by covering the exposed knockouts and mounting holes.

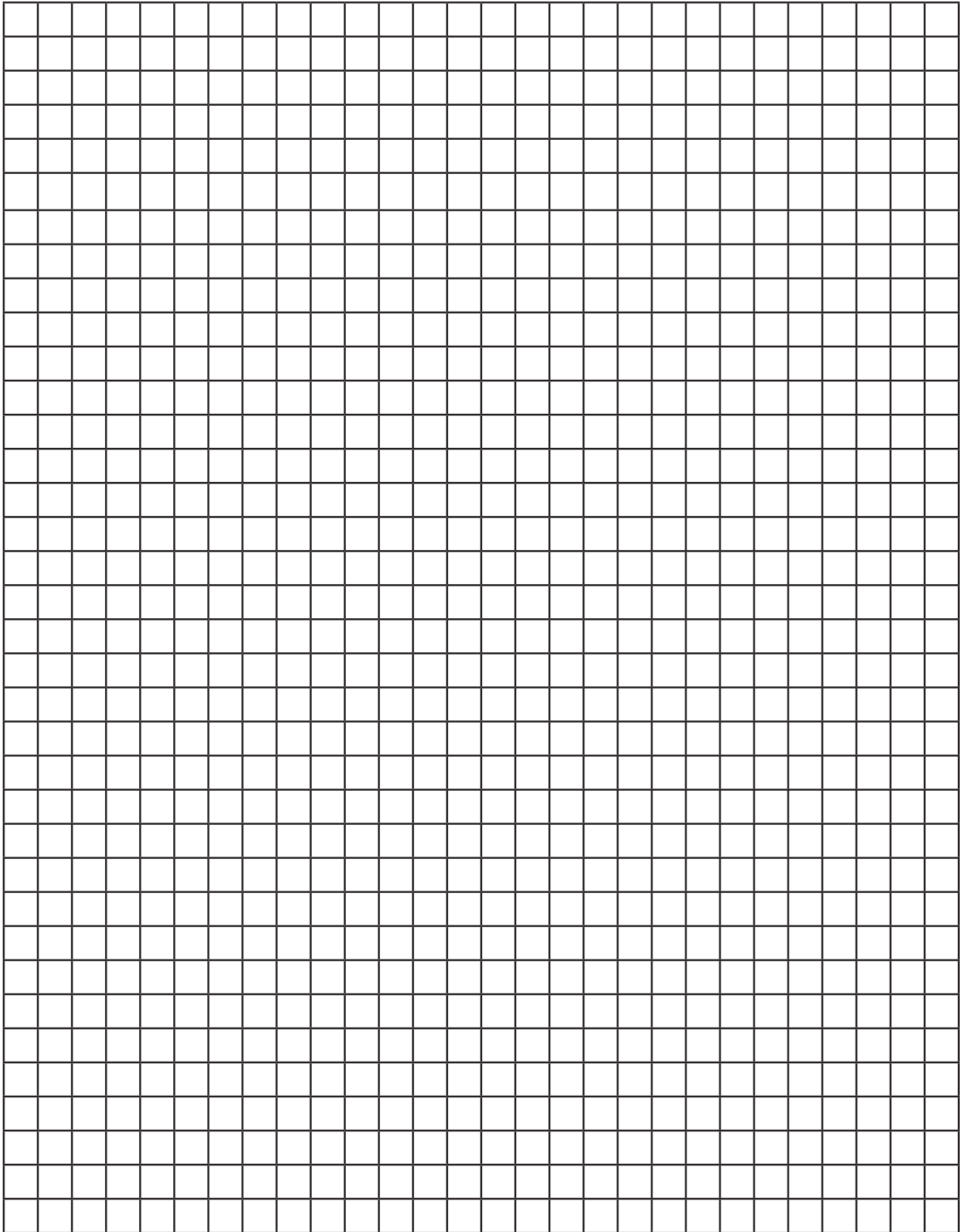


| MODULE | DESCRIPTION | QTY | SUBSTITUTE | DESCRIPTION | QTY |
|----------------|-------------------------|-----|--------------|-------------------------|-----|
| * IM-UGC605-CN | UNDER UNIT CABINET 605 | 1 | | | |
| * BILEX605RB-N | LEX 605 BUILTIN NATURAL | 1 | BILEX605RB-P | LEX 605 BUILTIN PROPANE | 1 |
| IM-3DC-CN | THREE DRAWER CABINET | 1 | | | |
| IM-FMP-CN | FRIDGE CABINET MIDDLE | 1 | IM-3DC-CN | THREE DRAWER CABINET | 1 |
| IM-UTC-CN | SINGLE DOOR CABINET | 1 | IM-UTC-CN | PROPANE TANK CABINET | 1 |
| IM-WDC-CN | WASTE DRAWER CABINET | 1 | IM-FEP-CN | FRIDGE CABINET END | 1 |
| IM-WSF-CN | WALL STANDOFF KIT | 4 | | | |
| IM-45T-CN | 45 DEGREE PANEL KIT | 2 | | | |
| IM-CEP-CN | CABINET END PANEL | 2 | | | |

***Other grill heads can also be substituted. Ensure the under grill cabinet corresponds to the unit. Napoleon model NFR055ORSS.**

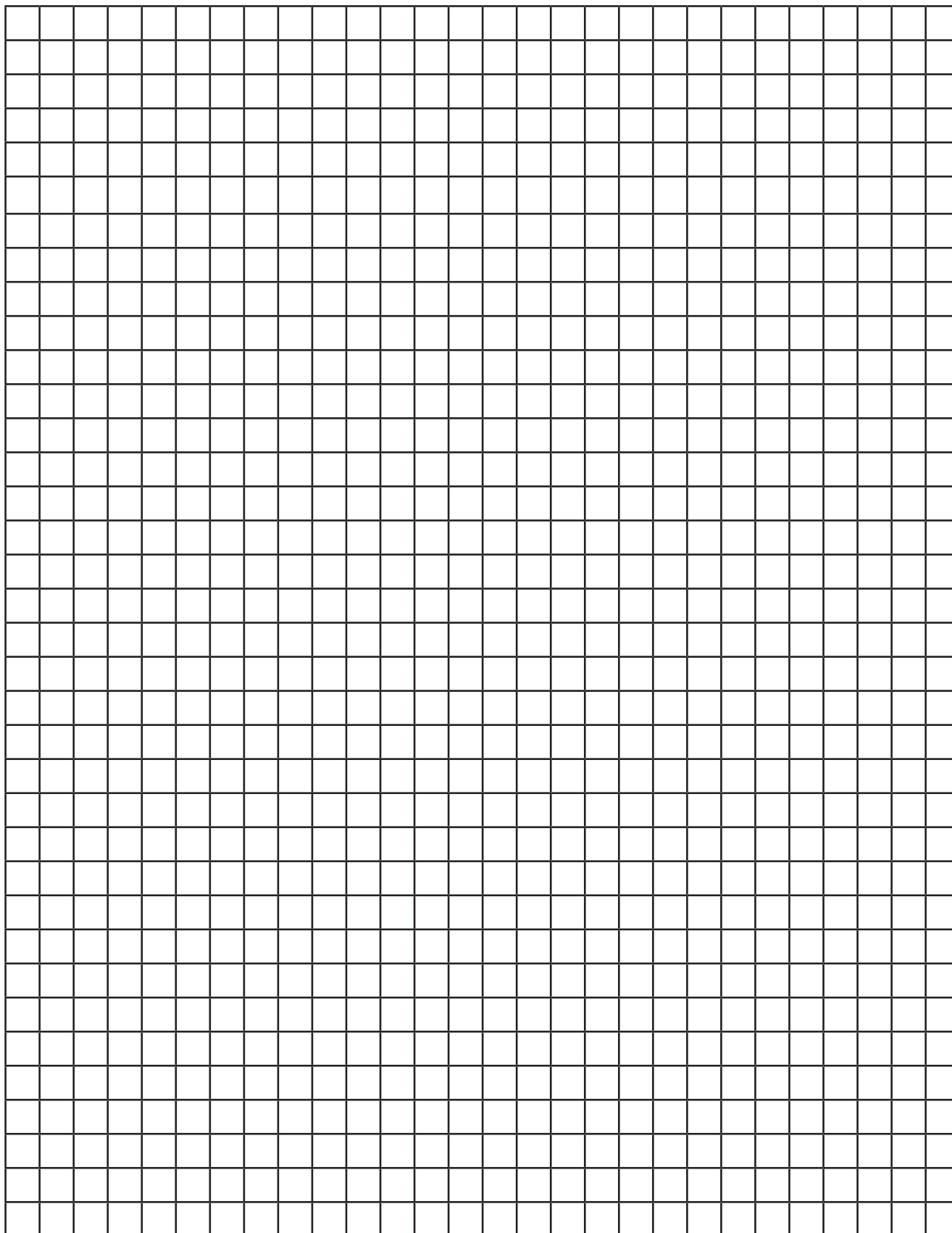
PLANNING PAGE

EN



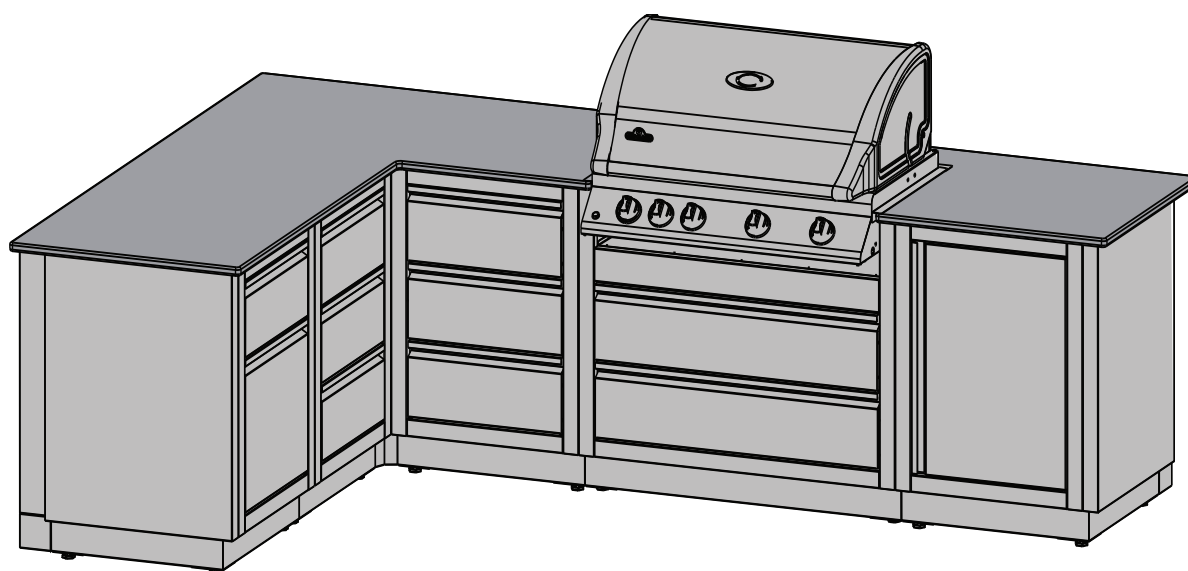
PLANNING PAGE

EN





FR



GUIDE DE PLANIFICATION POUR LES CABINETS MODULAIRES OASIS

Wolf Steel Ltd.
214 Bayview Drive,
Barrie, Ontario, CANADA L4N 4Y8
grills@napoleonproducts.com

Wolf Steel Europe BV
Poppenbouwing 29-31, 4191 NZ Geldermalsen,
CCI No. 51509970, THE NETHERLANDS
info@napoleongrills.nl

GARDER CE LIVRE POUR RÉFÉRENCES FUTURES.



Garantie limitée à vie de 10 ans du Président des Grils Napoléon

FR

Les produits NAPOLÉON sont conçus avec des composants et des matériaux de qualité supérieure, assemblés par des artisans qualifiés qui sont fiers de leur travail. Ce produit a été soigneusement inspecté par un technicien qualifié avant d'être emballé et expédié pour garantir que vous, le client, recevez le produit de qualité dont vous vous attendez de la part de NAPOLÉON.

NAPOLÉON garantit que les composants de votre nouveau produit NAPOLÉON sera exempt de défauts de matériaux et de fabrication à partir de la date d'achat, pour la période suivante :

| | |
|--|---|
| Pièces en fonte d'aluminium / base en acier inoxydable | 10 ans |
| Brûleurs tubulaires en acier inoxydable | 10 ans |
| Brûleur infrarouge en céramique (excluant le grillage) | 5 ans de pleine garantie, plus 50 % de rabais jusqu'à la 10e année |
| Couvercle en acier inoxydable, la porte et les panneaux de tiroirs | 5 ans de pleine garantie, plus 50 % de rabais jusqu'à la 10e année |
| Plaques de brûleur en fonte émaillée en porcelaine | 5 ans de pleine garantie, plus 50 % de rabais jusqu'à la 10e année |
| Plaques de brûleur en acier inoxydable ou en porcelaine | 5 ans de pleine garantie, plus 50 % de rabais jusqu'à la 10e année |
| Les charnières, les boîtiers et les glisseurs | 3 ans de pleine garantie, plus 50 % de rabais jusqu'à la 10e année |
| Toutes les autres pièces | 2 ans |

*Conditions et limitations

La présente garantie limitée couvre une période de garantie telle que spécifiée dans le tableau ci-dessus pour tout produit acheté par l'entremise d'un détaillant autorisé NAPOLÉON et donne droit à l'acheteur d'origine à la couverture spécifiée relativement à tout composant remplacé durant la période de garantie, que ce soit par NAPOLÉON ou un détaillant autorisé NAPOLÉON, pour le remplacement de tout composant qui présente une défaillance dans le cadre d'un usage privé normal à la suite d'un défaut de fabrication. La mention « 50 % de rabais » indiquée dans le tableau signifie que le composant est mis à disposition de l'acheteur à 50 % de son prix de détail courant pour la période indiquée. La présente garantie limitée ne couvre ni les accessoires ni les articles offerts gratuitement.

Il est entendu que l'« usage privé normal » d'un produit signifie que le produit : a été installé par un technicien de service ou entrepreneur certifié, conformément aux instructions d'installation incluses avec le produit et à tous les codes d'incendie et de construction locaux et nationaux; a été entretenu correctement; et n'a pas été utilisé dans une application à usage collectif ou commercial.

De la même manière, « défaillance » n'inclut pas : la surchauffe, les extinctions causées par des conditions environnementales telles que des vents forts ou une ventilation inadéquate, les égratignures, les bosses, la corrosion, la détérioration des finis peints et plaqués, la décoloration due à la chaleur, aux nettoyants abrasifs ou chimiques ou à l'exposition à des rayons UV, l'écaillage des pièces en porcelaine émaillée ou les dommages causés par un mauvais usage, un accident, la grêle, des feux de graisse, un manque d'entretien, un environnement inadéquat tel que le sel ou le chlore, des altérations, des abus, des négligences ou des pièces installées par d'autres fabricants.

Dans le cas d'une détérioration des composants causant le mauvais fonctionnement de l'appareil (perforation par la rouille ou la surchauffe) pendant la période couverte par la garantie, les pièces de rechange seront fournies par NAPOLÉON. Les composants de rechange relèvent de la seule responsabilité de NAPOLÉON telle que définie par la présente garantie limitée; en aucun cas, NAPOLÉON ne saurait être tenu responsable de l'installation, de la main-d'œuvre ou de tous autres coûts ou dépenses relatifs à la réinstallation d'une pièce garantie, de tous dommages accessoires, consécutifs ou indirects ni de tous frais de transport, de main-d'œuvre ou taxes d'exportation.

La présente garantie limitée vient s'ajouter à tous les droits qui vous sont accordés par la législation locale. Par conséquent, la présente garantie limitée n'impose pas à NAPOLÉON l'obligation de garder des pièces en stock. En fonction de la disponibilité des pièces, NAPOLÉON peut, à sa discrétion, se libérer de toute obligation en fournissant à un client un crédit au prorata applicable à un nouveau produit. Après la première année, NAPOLÉON peut, à sa discrétion, se libérer entièrement de toute obligation en ce qui concerne la présente garantie limitée en remboursant à l'acheteur d'origine le prix de gros de toute pièce garantie et défectueuse.

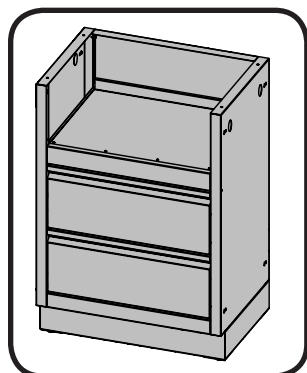
La facture ou une copie sera requise ainsi que le numéro de série et le numéro de modèle lors d'une réclamation auprès de NAPOLÉON.

NAPOLÉON se réserve le droit de demander à son représentant d'inspecter tout produit ou pièce avant d'honorer toute réclamation. Pour pouvoir bénéficier de la couverture de garantie, vous devez contacter le service à la clientèle de NAPOLÉON ou un détaillant autorisé NAPOLÉON.

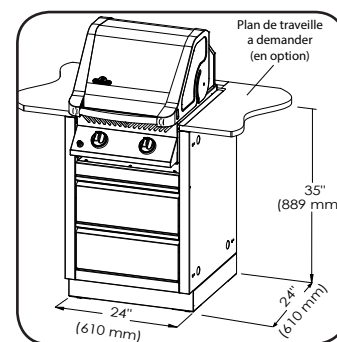


napoleongrills.com

CABINET POUR GRIL 245/300 IM-UGC300

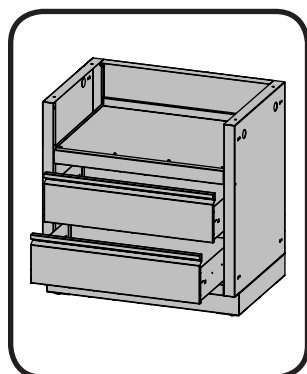


- cabinet pour gril nécessaire pour les appareils BISZ245 ou BISB
- cuve de gril non comprise
- 2 tiroirs sur glissière à roulettes
- panneaux arrière et latéraux munis de plaques poinçonnées pour y insérer les conduites de gaz
- façades de tiroirs en acier inoxydable
- pattes de nivellement ajustables
- expédiés complètement assemblés

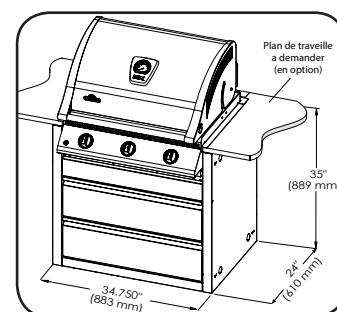


FR

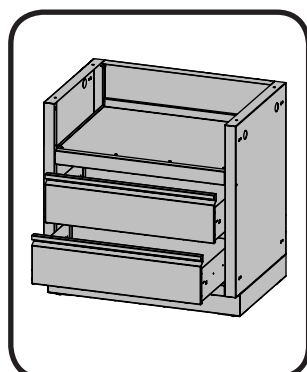
CABINET POUR GRIL 485 IM-UGC485



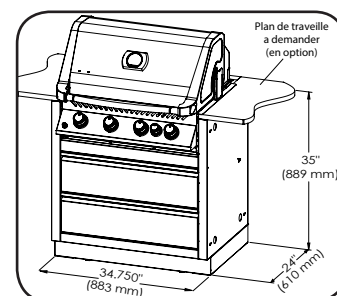
- cabinet pour gril nécessaire pour les appareils BILEX485
- cuve de gril non comprise
- 2 tiroirs sur glissière à roulettes
- panneaux arrière et latéraux munis de plaques poinçonnées pour y insérer les conduites de gaz
- façades de tiroirs en acier inoxydable
- pattes de nivellement ajustables
- expédiés complètement assemblés



CABINET POUR GRIL 500 IM-UGC500

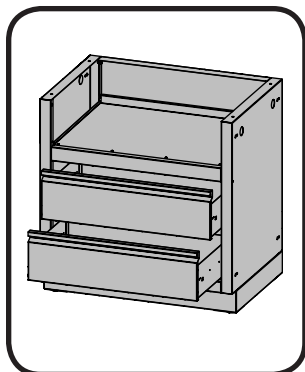


- cabinet pour gril nécessaire pour les appareils BIPRO500
- cuve de gril non comprise
- 2 tiroirs sur glissière à roulettes
- panneaux arrière et latéraux munis de plaques poinçonnées pour y insérer les conduites de gaz
- façades de tiroirs en acier inoxydable
- pattes de nivellement ajustables
- expédiés complètement assemblés

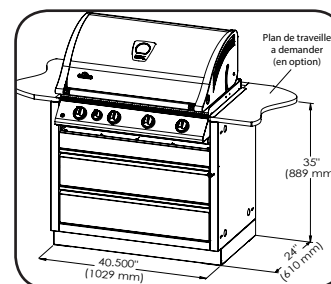


CABINET POUR GRIL 605 IM-UGC605

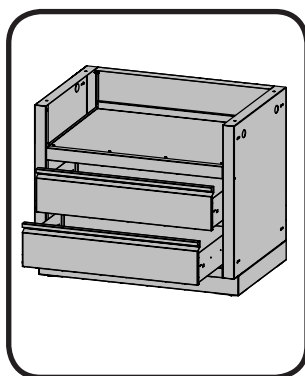
FR



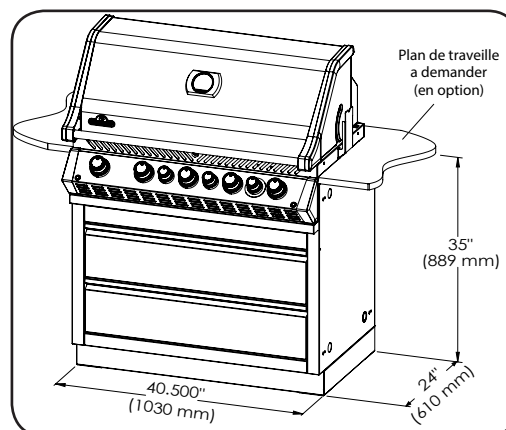
- cabinet pour gril nécessaire pour les appareils BILEX605
- cuve de gril non comprise
- 2 tiroirs sur glissière à roulettes
- panneaux arrière et latéraux munis de plaques poinçonnées pour y insérer les conduites de gaz
- façades de tiroirs en acier inoxydable
- pattes de nivellement ajustables
- expédiés complètement assemblés



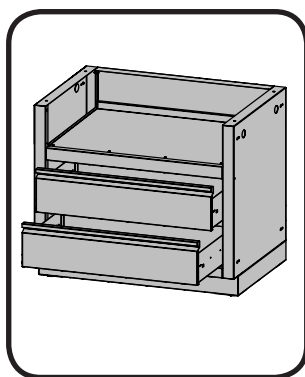
CABINET POUR GRIL 665 IM-UGC665



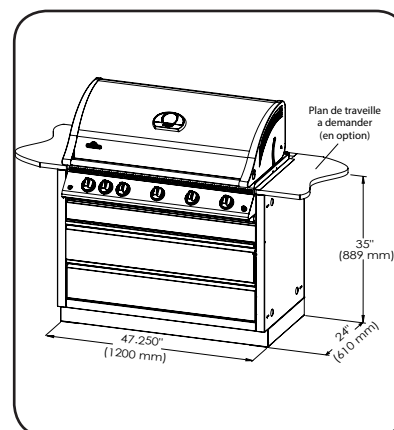
- cabinet pour gril nécessaire pour les appareils BIPRO665
- cuve de gril non comprise
- 2 tiroirs sur glissière à roulettes
- panneaux arrière et latéraux munis de plaques poinçonnées pour y insérer les conduites de gaz
- façades de tiroirs en acier inoxydable
- pattes de nivellement ajustables
- expédiés complètement assemblés



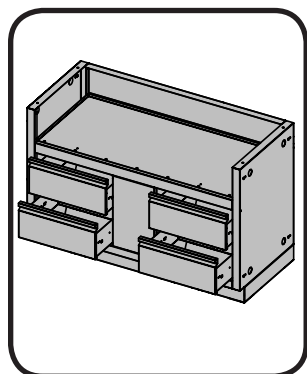
CABINET POUR GRIL 730 IM-UGC730



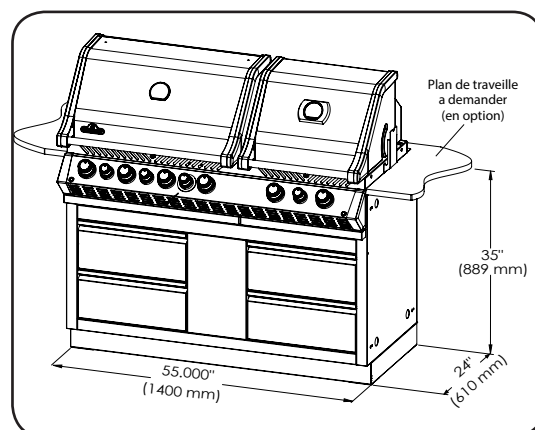
- cabinet pour gril nécessaire pour les appareils BILEX730
- cuve de gril non comprise
- 2 tiroirs sur glissière à roulettes
- panneaux arrière et latéraux munis de plaques poinçonnées pour y insérer les conduites de gaz
- façades de tiroirs en acier inoxydable
- pattes de nivellement ajustables
- expédiés complètement assemblés



CABINET POUR GRIL 825 IM-UGC825



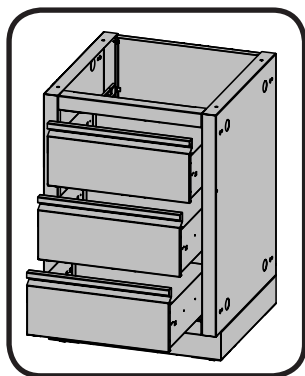
- cabinet pour gril nécessaire pour les appareils BIPRO825
- cuve de gril non comprise
- 4 tiroirs sur glissière à roulettes
- panneaux arrière et latéraux munis de plaques poinçonnées pour y insérer les conduites de gaz
- façades de tiroirs en acier inoxydable
- pattes de nivellement ajustables
- expédiés complètement assemblés



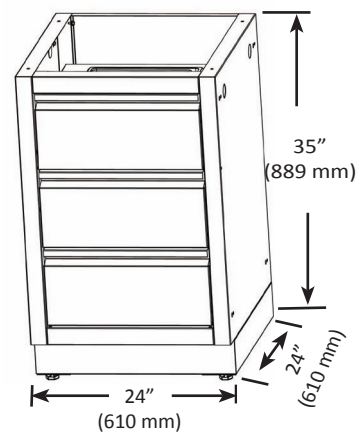
FR

CABINET À 3 TIROIRS IM-3DC

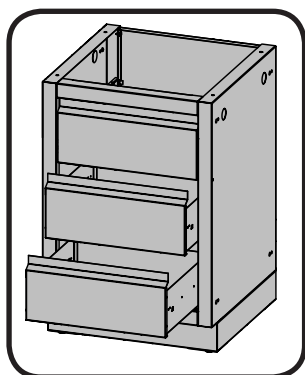
FR



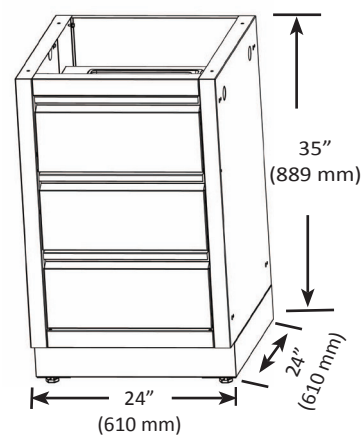
- 3 tiroirs sur glissière à roulettes
- façades de tiroirs en acier inoxydable
- pattes de nivellement ajustables
- expédiés complètement assemblés



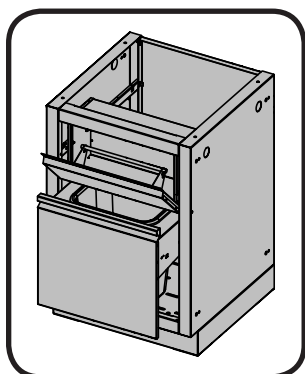
CABINET À 2 TIROIRS IM-2DC



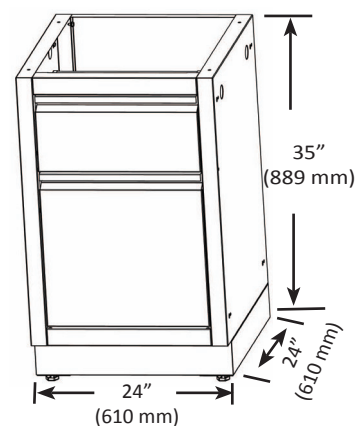
- 2 tiroirs sur glissière à roulettes
- façades de tiroirs en acier inoxydable
- pattes de nivellement ajustables
- le tiroir du haut est un faux tiroir
- utilisez-le lorsque vous installez un évier ou un brûleur latéral sur le dessus du cabinet
- expédiés complètement assemblés



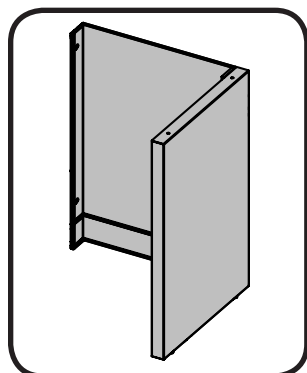
TIROIR À DÉCHETS ET PORTE ESSUIE-TOUT IM-WDC



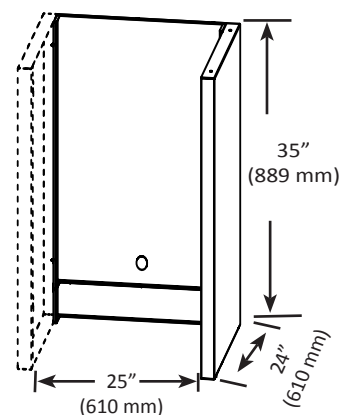
- 1 tiroir à déchets sur glissières à roulettes
- panier à déchets robuste et amovible
- porte essuie-tout dissimulé dans la partie supérieure
- façades de tiroirs en acier inoxydable
- pattes de nivellement ajustables
- ne peut pas utiliser-le lorsque vous installez un évier ou un brûleur latéral sur le dessus du cabinet
- expédiés complètement assemblés



CABINET POUR RÉFRIGÉRATEUR EXTRÉMITÉ IM-FEP

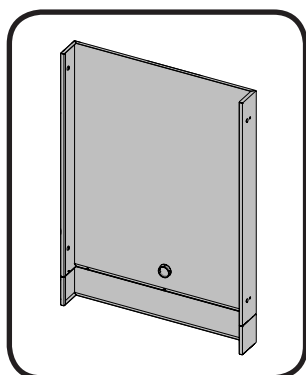


- Ne pas placer directement à côté du grill.
- ne peut pas utiliser-le lorsque vous installez un évier ou un brûleur latéral sur le dessus du cabinet
- un espace minimal de 6" (150 mm) est requis entre l'arrière du cabinet et les structures adjacentes.
- pattes de nivellement ajustables
- Napoleon modèle NFR055ORSS.

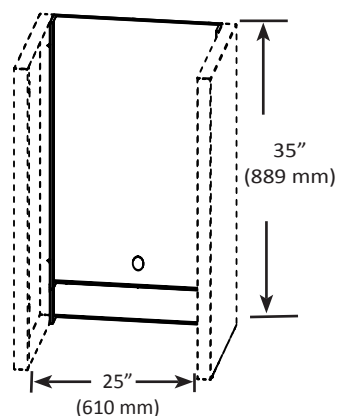


FR

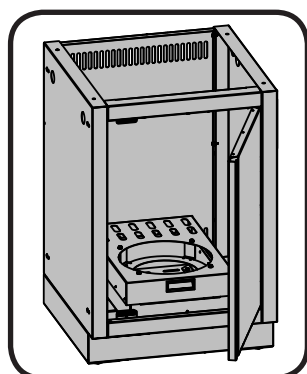
CABINET POUR RÉFRIGÉRATEUR CENTRE IM-FMP



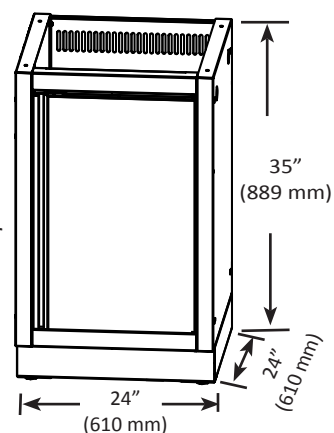
- Ne pas placer directement à côté du grill.
- ne peut pas utiliser-le lorsque vous installez un évier ou un brûleur latéral sur le dessus du cabinet
- un espace minimal de 6" (150 mm) est requis entre l'arrière du cabinet et les structures adjacentes.
- Napoleon modèle NFR055ORSS.



CABINET POUR RÉSERVOIR DE PROPANE IM-UTC

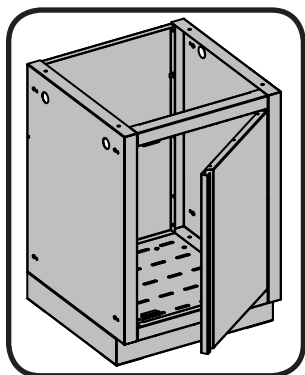


- cabinet de rangement pour réservoir de propane
- façades de porte en acier inoxydable
- porte universelle, ouverture à droite ou à gauche
- tablette coulissante pour faciliter l'installation du réservoir
- pattes de nivellement ajustables
- expédiés complètement assemblés

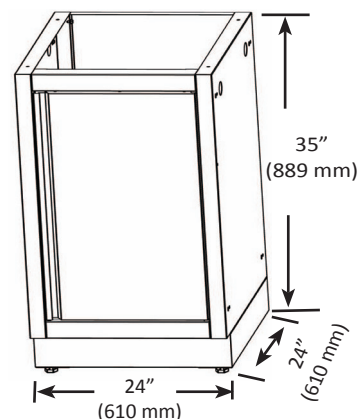


CABINET À PORTE UNIVERSEL IM-UDC

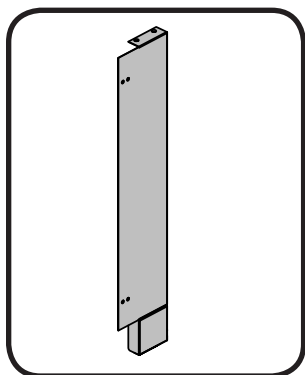
FR



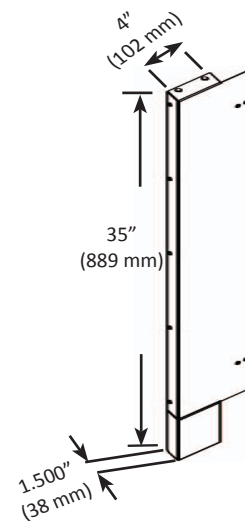
- porte réversible, ouverture à gauche ou à droite
- porte en acier inoxydable
- parfait pour le rangement à l'extérieur
- pattes de nivellement ajustables
- expédiés complètement assemblés



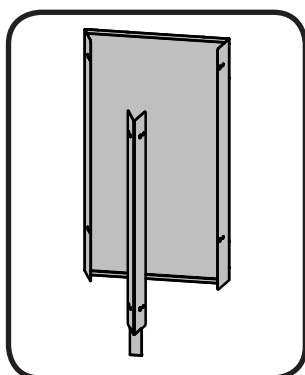
ESPACEUR MURAL IM-WSF



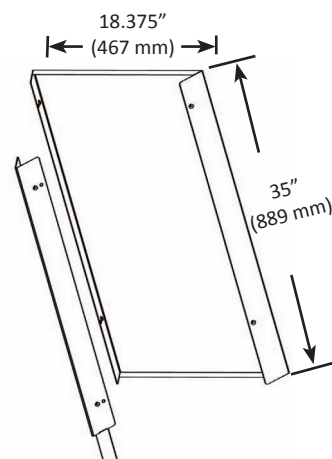
- panneaux peints
- permet de maintenir l'espacement requis dans le cas des installations contre un mur de la maison ou près d'un aménagement extérieur (pour le couvercle à s'ouvrir)
- les dégagements aux matériaux combustibles doivent être conservés selon les valeurs se trouvant sur la plaque d'homologation du grill
- comble l'espace entre le cabinet et la maison



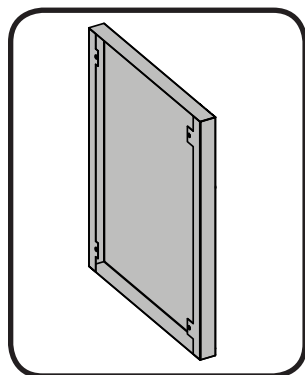
PIÈCE DE TRANSITION 45 DEGRÉS IM-45T



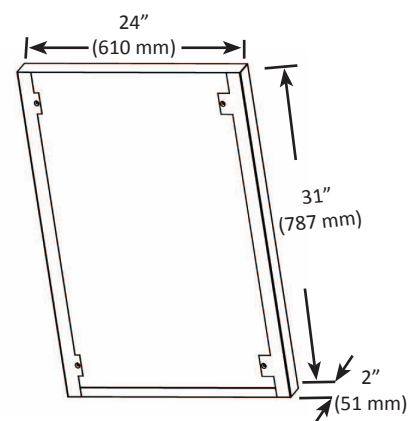
- pièces de transition peintes servant à réunir 2 cabinets à un angle de 45 degrés
- peut être doublé pour créer une transition de 90 degrés
- Si une pièce de transition est installée directement à côté du grill, le module IM-2DC (module à deux tiroirs) doit être utilisé de l'autre côté de la pièce de transition. Les autres modules avec tiroirs ou porte risquent d'accrocher le panneau de commande du grill.



PANNEAU D'EXTRÉMITÉ IM-CEP

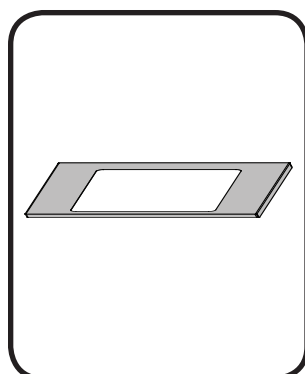


- panneau d'extrémité peint
- à installer à l'extrémité d'une rangée de cabinets pour couvrir les ouvertures laissées par les plaques poinçonnées et les trous de montage

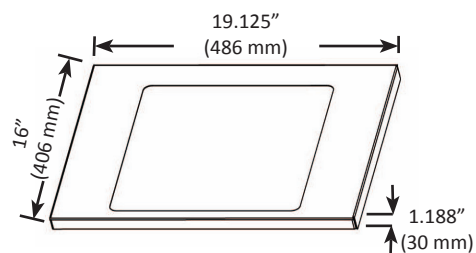


FR

SUPPORT POUR BAC À GLACE IM-IBA



- plateau en acier inoxydable
- s'installe sur le dessus d'un tiroir standard
- supporte une combinaison de plateaux de service petits ou grands en acier inoxydable



PLANIFICATION DE VOTRE ÎLOT MODULAIRE EXTÉRIEUR NAPOLÉON

FR

La polyvalence est à la base de la conception de la série des îlots modulaires extérieurs Napoléon. Pour convenir à vos besoins, la configuration des cabinets est presque illimitée. Les îlots peuvent être installés contre un mur de la maison ou comme îlot isolé, créant ainsi l'élément central de votre cour arrière. Grâce à ses fonctions multiples et à sa capacité de rangement, votre îlot peut être transformé en une cuisine extérieure. Ainsi, l'hôte évolue au cœur de l'action lorsqu'il reçoit ses invités.

Les cabinets sont conçus pour être facilement assemblés et installés par le propriétaire ou un entrepreneur. Tous les cabinets mesurent 35" (889 mm) de haut par 24" (610 mm) de profond. Tous les cabinets mesurent 24" (610 mm) de large sauf les cabinets pour grils ENCASTRÉS dont la largeur correspond à celle de l'appareil pour lequel il est conçu. Le contrôle de température est situé à l'arrière du réfrigérateur. Le cabinet est muni d'un panneau amovible donnant accès au contrôle de température. Assurez-vous que le panneau demeure accessible une fois que le cabinet est installé. Chaque cabinet est muni de quatre pattes de nivellement pour un ajustement facile sur les surfaces inégales. Les cabinets à deux tiroirs sont conçus pour les grils ENCASTRÉS Napoléon seulement et sont offerts en plusieurs grandeurs. Les grils ENCASTRÉS sont de grandeurs différentes. Consultez le manuel d'instructions de votre gril pour obtenir les instructions d'installation et de fonctionnement appropriées.

Les grils encastrés de la série BUILT-IN sont disponibles en tant que modèle fonctionnant au propane ou au gaz naturel. Le gaz naturel est le choix évident pour plusieurs des personnes qui l'utilisent déjà dans leur maison. Toutes les modifications ou installations relatives au gaz doivent être faites par un installateur de gaz qualifié. Les panneaux latéraux et arrière possèdent des plaques poinçonnées pour faciliter l'installation et le passage de la tuyauterie. Ceux qui opteront pour un gril au propane pourront aussi se procurer un cabinet pour y insérer le réservoir.

Les cabinets peuvent être installés contre un mur **INCOMBUSTIBLE** de la maison, un demi-mur en maçonnerie ou enduit de stuc, ou encore en tant qu'îlot isolé. Assurez-vous que la ventilation soit adéquate à l'arrière du cabinet du réfrigérateur - un espace minimal de 6" (150 mm) est requis entre l'arrière du cabinet et les structures adjacentes. Ne bloquez jamais les ouvertures de ventilation situées à l'arrière du cabinet sinon le réfrigérateur risque de surchauffer. Lorsque vous placez un îlot contre un mur, un espace doit être ménagé pour permettre de lever le couvercle du gril. Pour ce faire, vous devez acheter et installer un espaceur mural optionnel de 4 po. L'espaceur sert aussi à fermer l'espace entre le cabinet et le mur pour éviter que des débris ou des rongeurs y pénètrent. Pour une finition plus élégante, des panneaux d'extrémité, finis peints à base de poudre et d'une largeur de 2 po, peuvent être achetés pour recouvrir les ouvertures laissées par les plaques poinçonnées et les trous de montage situés dans les panneaux extérieurs des cabinets d'extrémité.

Lorsque vous utilisez des pièces de transition de 45° et 90°, les modules de chaque côté des pièces de transition doivent être choisis soigneusement. Si des modules avec des portes ou des tiroirs sont utilisés de chaque côté d'une pièce de transition, ils se nuiront l'un l'autre lors de l'ouverture. Si un module avec tiroir est placé à côté d'un gril, le panneau de commande du gril empêchera l'ouverture du tiroir supérieur. La même chose s'applique pour le module avec le tiroir à déchets/porte essuie-tout. Les modules avec portes peuvent être installés à côté des pièces de transition de 45°, cependant, le panneau de commande du gril empêchera la porte de s'ouvrir complètement et risque d'endommager la porte. Le module idéal pour cette application est le module à deux tiroirs (faux tiroir dans le haut).

Des ensembles de brûleur latéral optionnels sont disponibles auprès de votre détaillant de gril à gaz Napoléon. Ces ensembles de brûleur latéral complètent à merveille les grils encastrés de la série BUILT-IN. Nous recommandons d'installer l'ensemble de brûleur latéral sur le dessus d'un cabinet IM-2DC. Le devant à faux tiroir dans le haut de ce cabinet fournit l'espace nécessaire pour le passage de la soupape et du boyau du brûleur. Le cabinet IM-2DC procure aussi l'espace requis pour ceux qui aimeraient installer un évier dans leur cuisine extérieure.

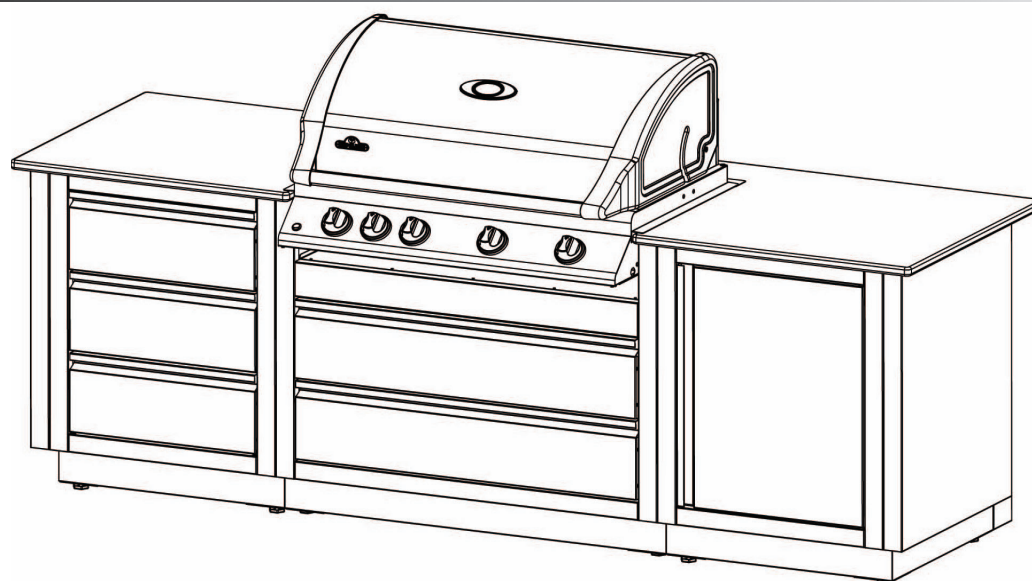
Les comptoirs doivent être commandés et fournis par le propriétaire. Si le gril est incorporé dans le comptoir, ce dernier doit être de nature **INCOMBUSTIBLE**. Les comptoirs peuvent être commandés à l'avance. Il suffit de faire un croquis de l'emplacement des cabinets et de calculer les dimensions du comptoir, en y ajoutant un surplomb de 1 à 2 pouces (25 mm-51 mm). La plupart des fabricants de comptoirs acceptent de venir prendre les mesures une fois l'assemblage des cabinets complété afin d'assurer un ajustement parfait.

Le gril encastré est muni de supports en acier inoxydable et de ferrures qui permettent à l'appareil d'être placé sur le comptoir, au-dessus du cabinet approprié. Le granite, le MeganiteMD ou le Corian® représentent d'excellents choix de matériaux pour le comptoir. Pour insérer et retirer le tiroir d'égouttement correctement, la tête de gril encastré doit être soutenue par un comptoir avec une épaisseur entre ½" (13mm) et 1 ½" (38mm).

Afin de les agencer aux couleurs de vos meubles extérieurs, vous pouvez opter pour des comptoirs décoratifs faits de carreaux de céramique reposant sur un panneau de béton.

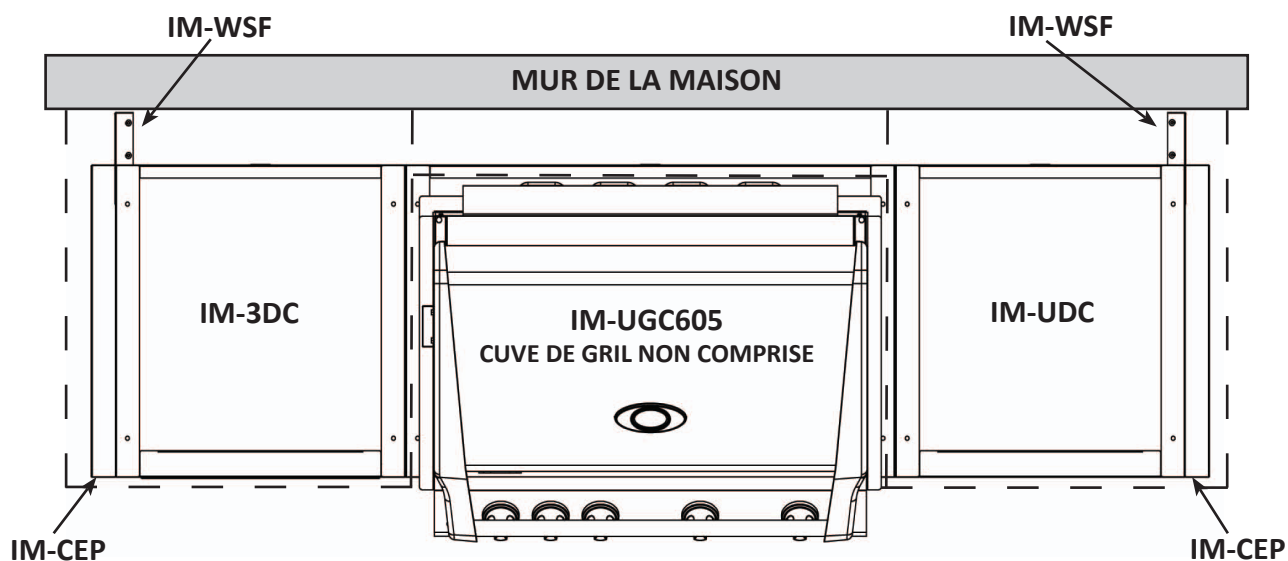


EXEMPLE 1 : ÎLOT AVEC GRIL ENCASTRÉ 605 SITUÉ CONTRE UN MUR INCOMBUSTIBLE



FR

L'exemple ci-dessus montre une installation contre un mur incombustible de la maison. Ci-dessous, les lignes pointillées indiquent le périmètre du comptoir (non fourni). Un ensemble d'espaceur mural IM-WSF est installé à deux endroits, ce qui laisse un jeu de 4 po (102 mm) entre l'unité et le mur pour permettre l'ouverture du couvercle du gril. **L'espaceur mural WSF ne fournit pas suffisamment de dégagement pour permettre à l'appareil d'être placé contre un mur combustible. Les dégagements aux matériaux combustibles inscrits sur la plaque d'homologation du gril doivent être conservés.** L'ensemble s'étend du comptoir jusqu'à la surface de la terrasse. Ce faisant, l'espace derrière l'îlot est bloqué, ce qui empêche les débris de tomber à l'arrière du cabinet. Le panneau d'extrémité IM-CEP est aussi illustré. Ce panneau embellit la finition aux extrémités des cabinets assemblés en recouvrant les ouvertures laissées par les plaques poinçonnées et les trous de montage.

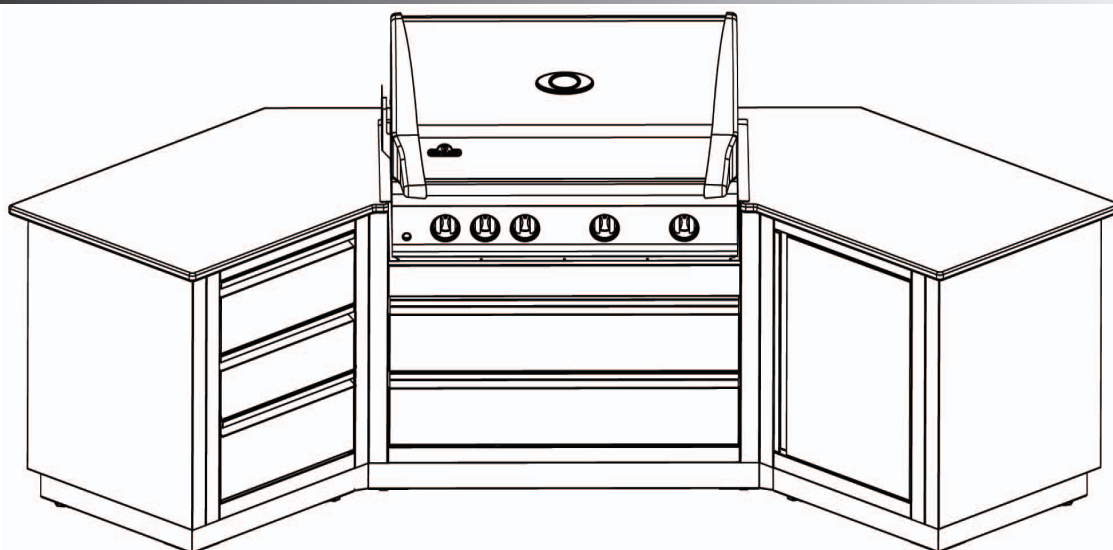


| MODULE | DESCRIPTION | QTY | PRODUIT DE REMPLACEMENT | DESCRIPTION | QTY |
|----------------|---------------------------|-----|-------------------------|-----------------------------------|-----|
| * IM-UGC605-CN | CABINET POUR GRIL 605 | 1 | | | |
| * BILEX605RB-N | LEX 605 BUILTIN NATURAL | 1 | BILEX605RB-P | LEX 605 BUILTIN PROPANE | 1 |
| IM-UDC-CN | CABINET À PORTE UNIVERSEL | 1 | IM-UTC-CN | CABINET POUR RÉSERVOIR DE PROPANE | 1 |
| IM-3DC-CN | CABINET À 3 TIROIRS | 1 | | | |
| IM-CEP-CN | PANNEAU D'EXTRÉMITÉ | 2 | | | |

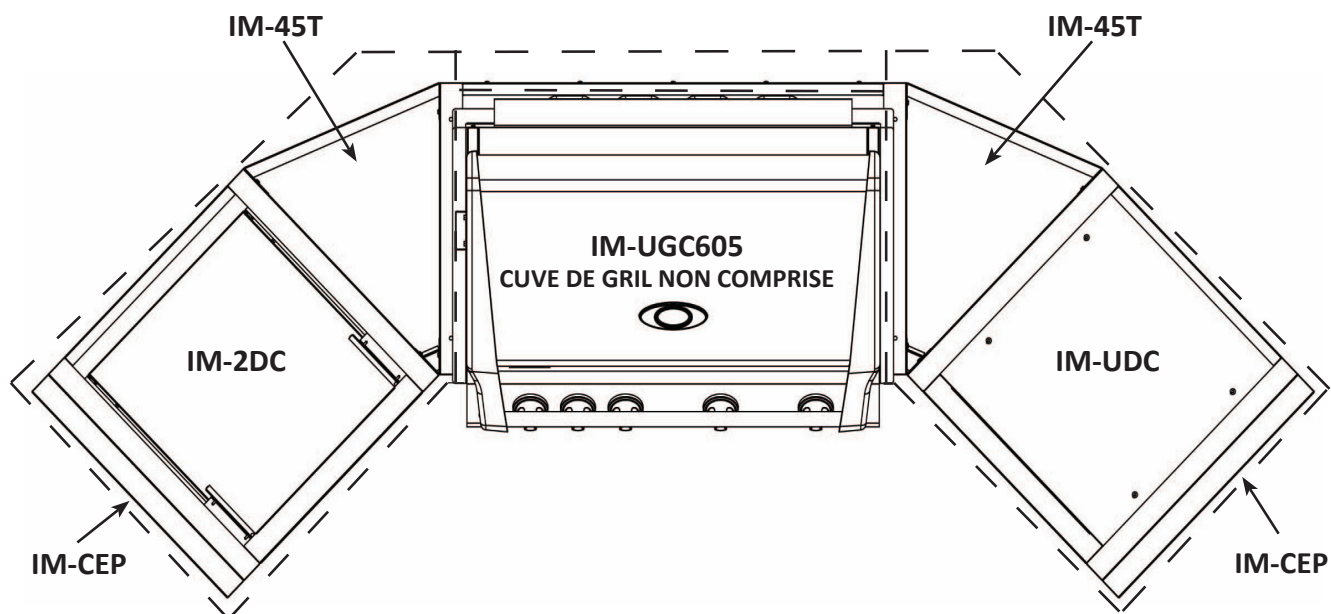
***La cuve de gril peut être remplacée par d'autres. S'assurer de choisir le cabinet pour gril approprié.**

EXEMPLE 2 : ÎLOT ANGULAIRE AVEC GRIL ENCASTRÉ 605

FR



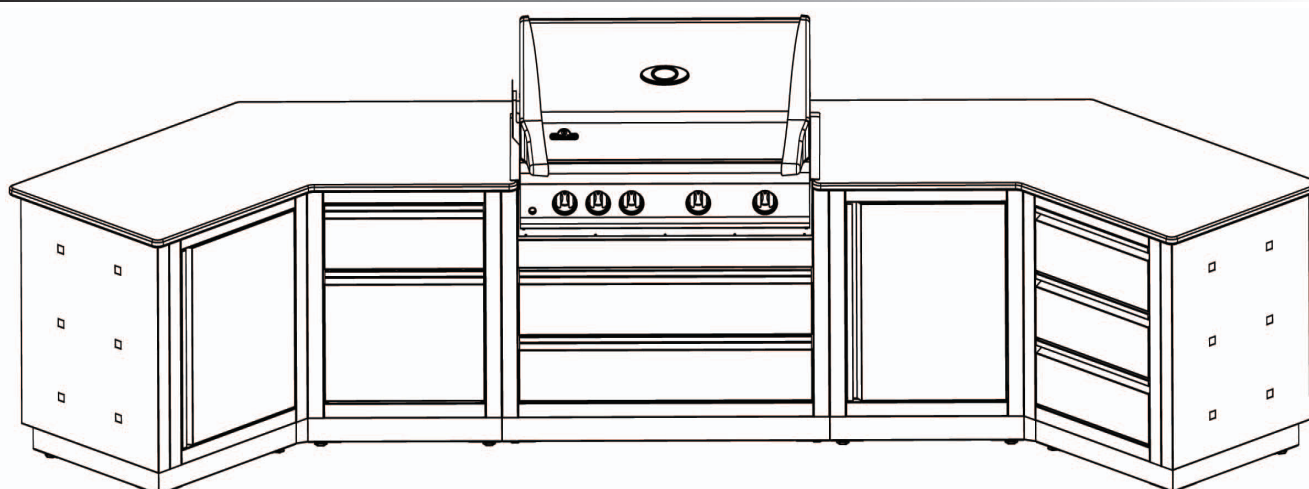
La configuration ci-dessus montre un îlot isolé. Ci-dessous, les lignes pointillées indiquent le périmètre du comptoir (non fourni). L'unité est mise en angle grâce à l'ensemble IM-45T d'un côté ou l'autre de l'unité, ce qui permet de faire pivoter le cabinet latéral de 45 degrés. Le panneau d'extrémité IM-CEP est aussi illustré. Ce panneau embellit la finition aux extrémités des cabinets assemblés en recouvrant les ouvertures laissées par les plaques poinçonnées et les trous de montage.



| MODULE | DESCRIPTION | QTY | PRODUIT DE REMPLACEMENT | DESCRIPTION | QTY |
|----------------|---------------------------------------|-----|-------------------------|-----------------------------------|-----|
| * IM-UGC605-CN | CABINET POUR GRIL 605 | 1 | | | |
| * BILEX605RB-N | LEX 605 BUILTIN NATURAL | 1 | BILEX605RB-P | LEX 605 BUILTIN PROPANE | 1 |
| IM-UDC-CN | CABINET À PORTE UNIVERSAL | 1 | IM-UTC-CN | CABINET POUR RÉSERVOIR DE PROPANE | 1 |
| IM-WDC-CN | TIROIR À DÉCHETS ET PORTE ESSUIE-TOUT | 1 | | | |
| IM-45T-CN | PIÈCE DE TRANSITION 45 DEGRÉS | 2 | | | |
| IM-CEP-CN | PANNEAU D'EXTRÉMITÉ | 2 | | | |

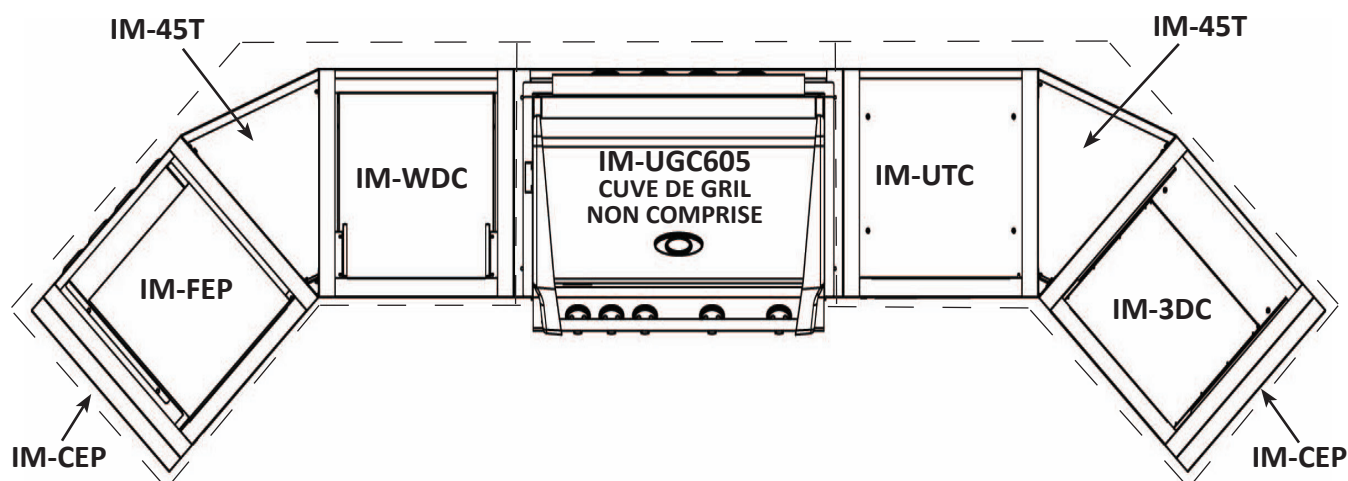
*La cuve de grill peut être remplacée par d'autres. S'assurer de choisir le cabinet pour grill approprié.

EXEMPLE 3 : ÎLOT ANGULAIRE AVEC GRIL ENCASTRÉ 605



FR

La configuration ci-dessus montre un îlot isolé. Ci-dessous, les lignes pointillées indiquent le périmètre du comptoir (non fourni). L'unité est mise en angle grâce à l'ensemble IM-45T d'un côté ou l'autre de l'unité, ce qui permet de faire pivoter le cabinet latéral de 45 degrés. Le panneau d'extrémité IM-CEP est aussi illustré. Ce panneau embellit la finition aux extrémités des cabinets assemblés en recouvrant les ouvertures laissées par les plaques poinçonnées et les trous de montage.

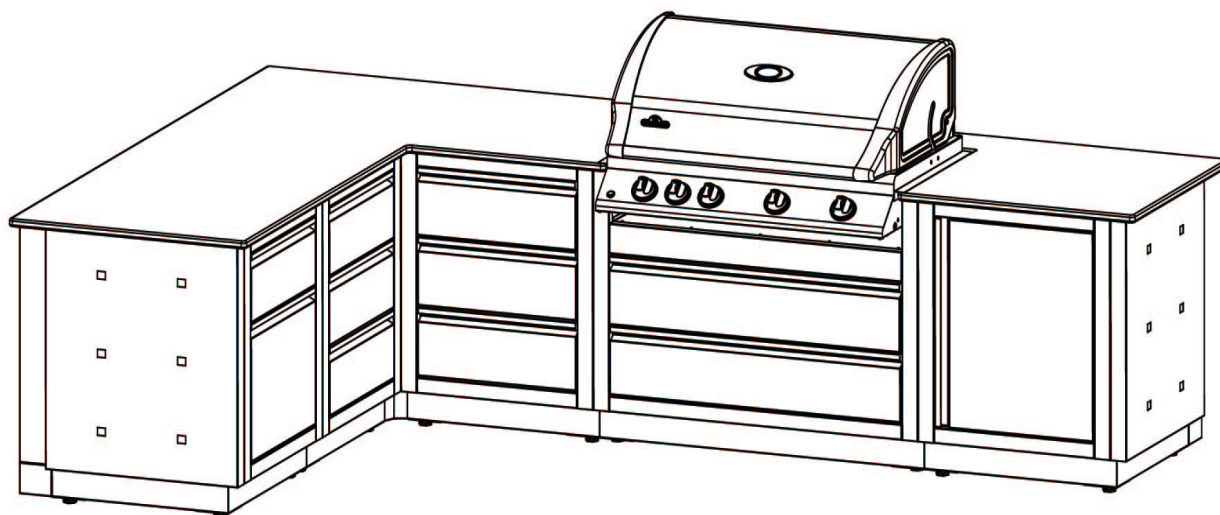


| MODULE | DESCRIPTION | QTY | PRODUIT DE REMPLACEMENT | DESCRIPTION | QTY |
|----------------|--------------------------------------|-----|-------------------------|--------------------------------------|-----|
| * IM-UGC605 | CABINET POUR GRIL 605 | 1 | | | |
| * BILEX605RB-P | LEX 605 BUILTIN PROPANE | 1 | BILEX605RB-N | LEX 605 BUILTIN NATURAL | 1 |
| IM-UTC-CN | CABINET POUR RÉSERVOIR DE PROPANE | 1 | IM-UDC-CN | CABINET À PORTE UNIVERSAL | 1 |
| IM-FEP-CN | CABINET POUR RÉFRIGÉRATEUR EXTRÉMITÉ | 1 | IM-3DC-CN | CABINET À 3 TIROIRS | 1 |
| IM-3DC-CN | CABINET À 3 TIROIRS | 1 | IM-FEP-CN | CABINET POUR RÉFRIGÉRATEUR EXTRÉMITÉ | 1 |
| IM-WDC-CN | TIROIR À DÉCHETS ET PORTE ESSUE-TOUT | 1 | | | |
| IM-45T-CN | PIÈCE DE TRANSITION 45 DEGRÉS | 2 | | | |
| IM-CEP-CN | PANNEAU D'EXTRÉMITÉ | 2 | | | |

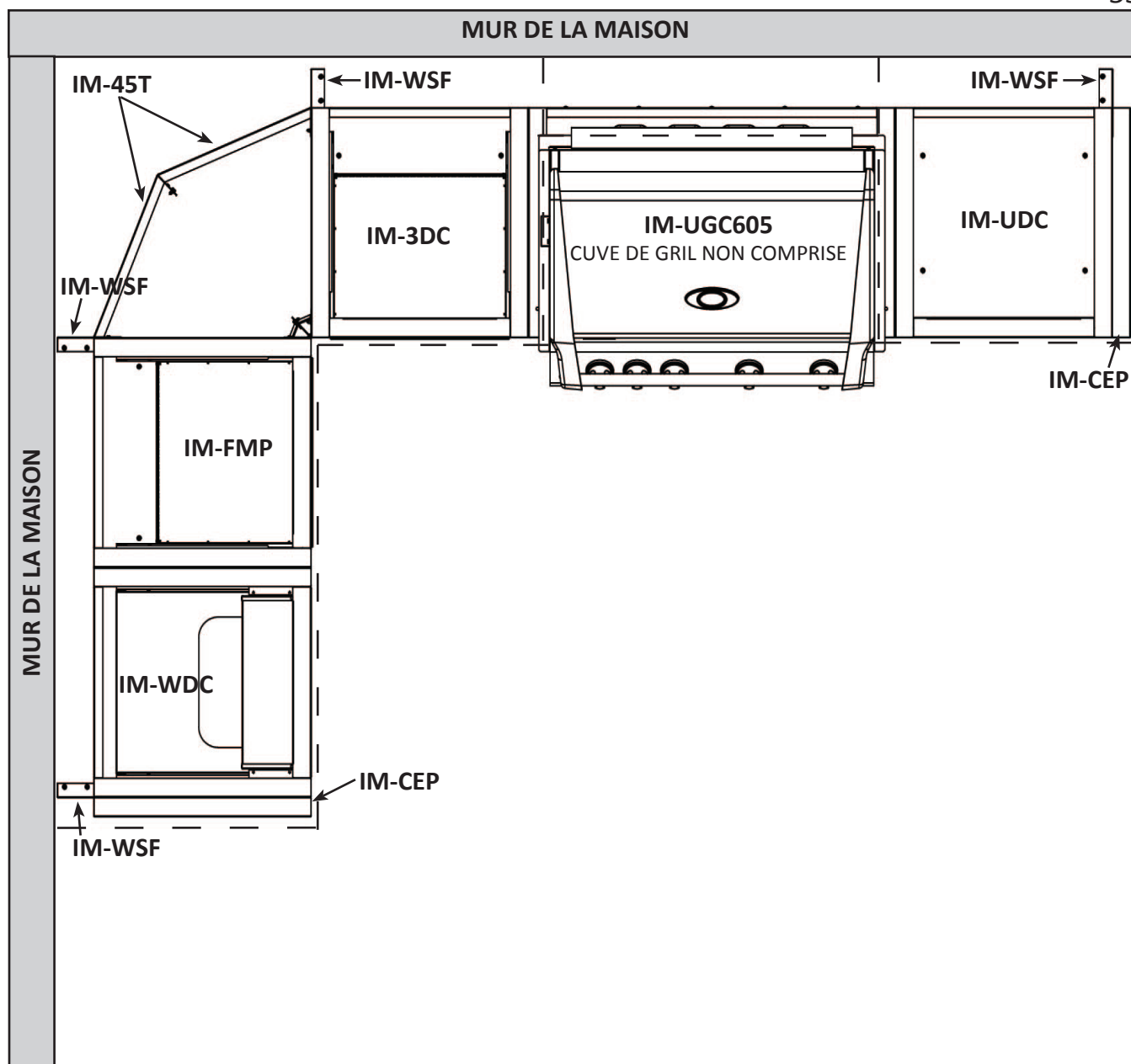
*La cuve de grill peut être remplacée par d'autres. S'assurer de choisir le cabinet pour grill approprié. Napoleon modèle NFR055ORSS.

EXEMPLE 4 : ÎLOT À 90 ° AVEC GRIL ENCASTRÉ 605 SITUÉ CONTRE UN MUR INCOMBUSTIBLE

FR



La configuration suivante montre un îlot installé contre un mur incombustible de la maison. Ci-dessous, les lignes pointillées indiquent le périmètre du comptoir (non fourni). Un ensemble d'espaceur mural IM-WSF est installé à quatre endroits, ce qui laisse un jeu de 4 po (102 mm) entre l'unité et le mur pour permettre l'ouverture du couvercle du grill. **L'espaceur mural WSF ne fournit pas suffisamment de dégagement pour permettre à l'appareil d'être placé contre un mur combustible. Les dégagements aux matériaux combustibles inscrits sur la plaque d'homologation du grill doivent être conservés.** L'ensemble s'étend du comptoir jusqu'à la surface de la terrasse. Ce faisant, l'espace derrière l'îlot est bloqué, ce qui empêche les débris de tomber à l'arrière du cabinet. L'angle de 90° du cabinet est créé en réunissant deux ensembles IM-45T, ceux-ci servant aussi à supporter le comptoir. Le panneau d'extrémité IM-CEP est aussi illustré. Ce panneau embellit la finition aux extrémités des cabinets assemblés en recouvrant les ouvertures laissées par les plaques poinçonnées et les trous de montage.



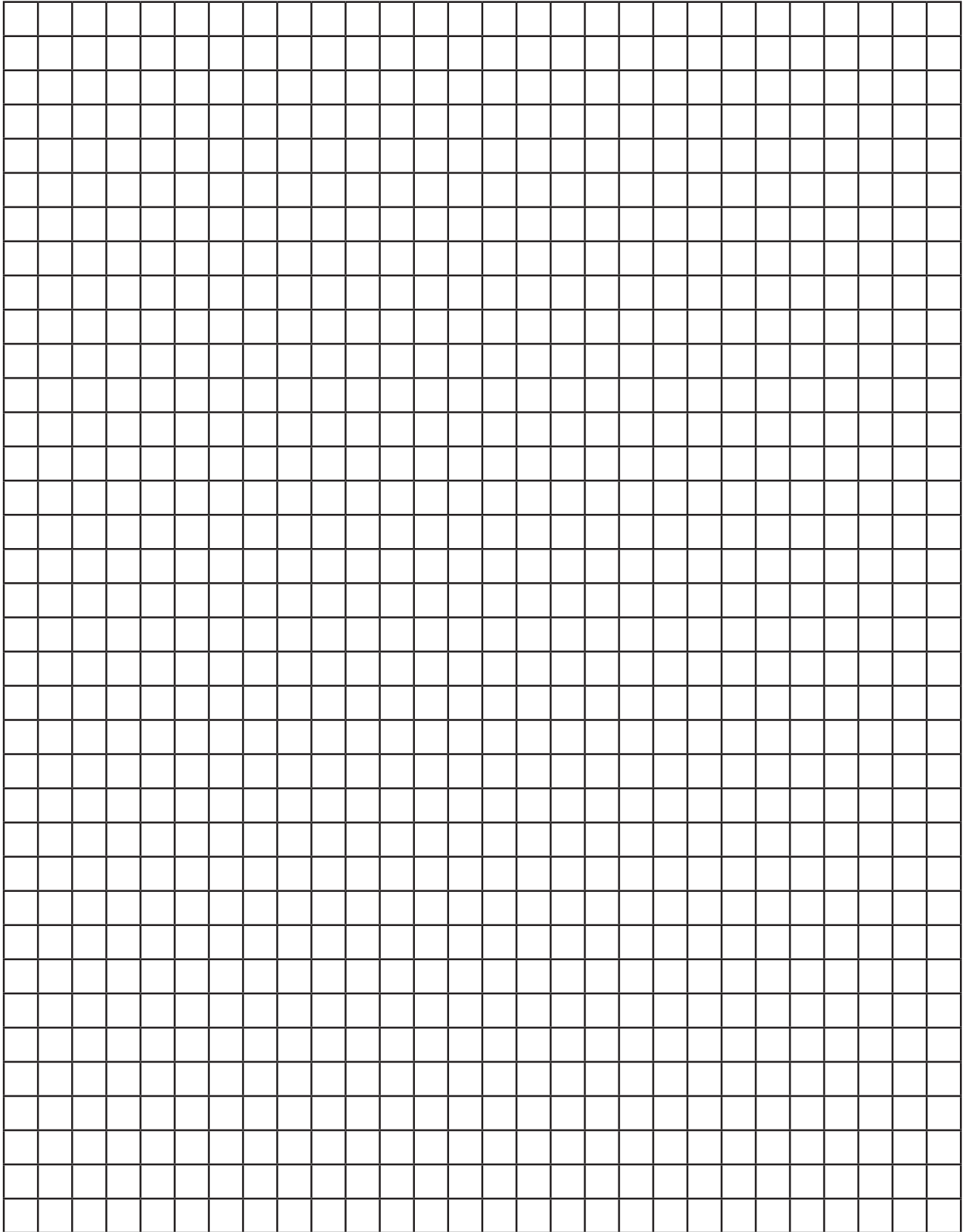
FR

| MODULE | DESCRIPTION | QTY | PRODUIT DE REMPLACEMENT | DESCRIPTION | QTY |
|----------------|---------------------------------------|-----|-------------------------|--------------------------------------|-----|
| * IM-UGC605-CN | CABINET POUR GRIL 605 | 1 | | | |
| * BIM605RB-N | MIRAGE 605 BULTIN NATURAL | 1 | BIM605RB-P | MIRAGE 605 BULTIN PROPANE | 1 |
| IM-3DC-CN | CABINET À 3 TIROIRS | 1 | | | |
| IM-FMP-CN | CABINET POUR RÉFRIGÉRATEUR CENTRE | 1 | IM-3DC-CN | CABINET À 3 TIROIRS | 1 |
| IM-UDC-CN | CABINET À PORTE UNIVERSEL | 1 | IM-UTC-CN | CABINET POUR RÉSERVOIR DE PROPANE | 1 |
| IM-WDC-CN | TIROIR À DÉCHETS ET PORTE ESSUIE-TOUT | 1 | IM-FEP-CN | CABINET POUR RÉFRIGÉRATEUR EXTRÉMITÉ | 1 |
| IM-WSF-CN | ESPACEUR MURAL | 4 | | | |
| IM-45T-CN | PIÈCE DE TRANSITION 45 DEGRÉS | 2 | | | |
| IM-CEP-CN | PANNEAU D'EXTRÉMITÉ | 2 | | | |

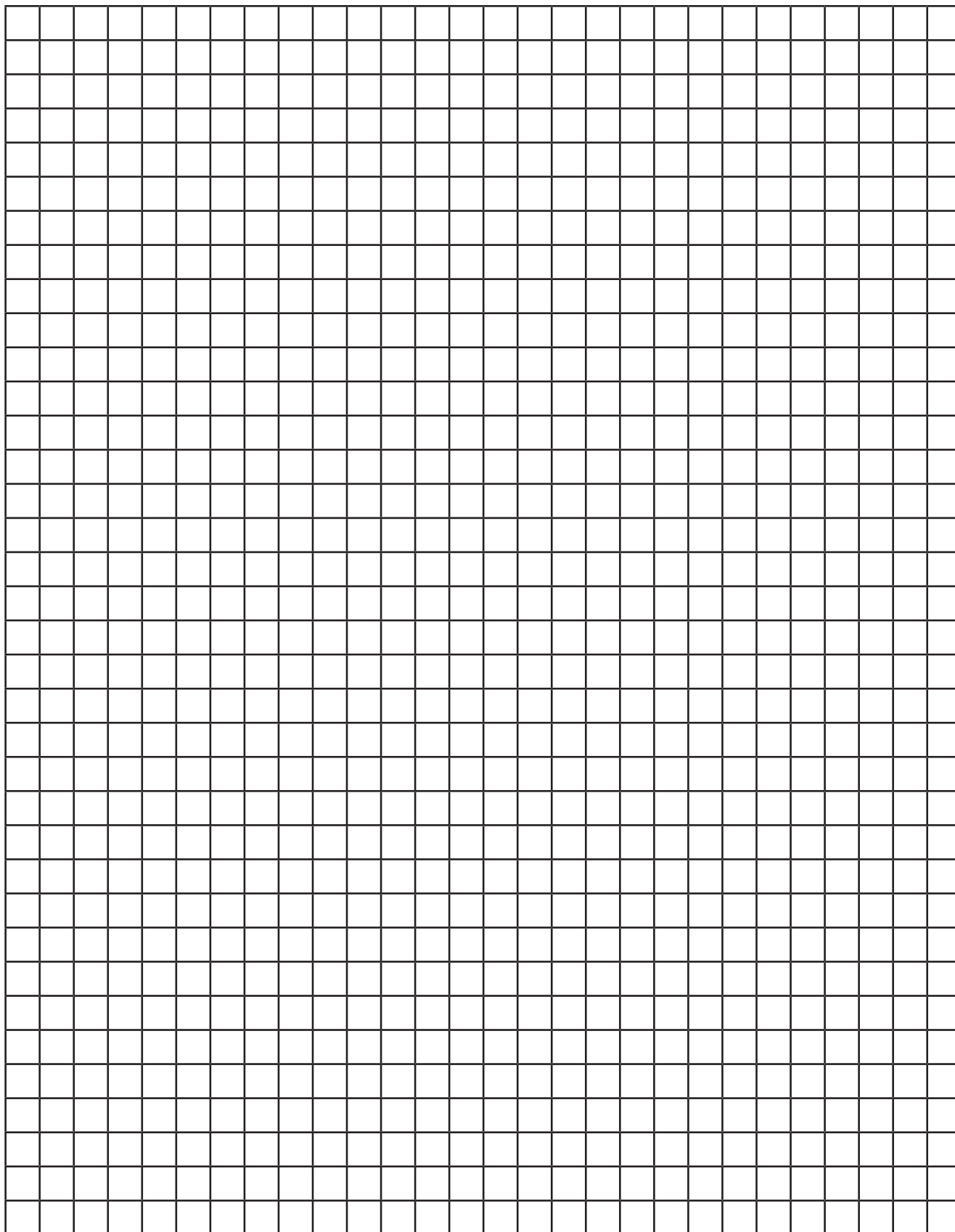
*La cuve de gril peut être remplacée par d'autres. S'assurer de choisir le cabinet pour gril approprié. Napoleon modèle NFR055ORSS.

PAGE DE PLANIFICATION

FR



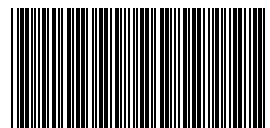
PAGE DE PLANIFICATION



FR



Napoleon products are protected by one or more U.S. and Canadian and/or foreign patents or patents pending.
Les produits de Napoléon sont protégés par notre brevet d'invention dans les pays États Unis, Canada et international.



N415-0417