

DIRECTED.

RF KIT

for

Remote Control Models:

**9656V, 9756V, 9856V
9656X, 9756X, 9856X**

Introduction

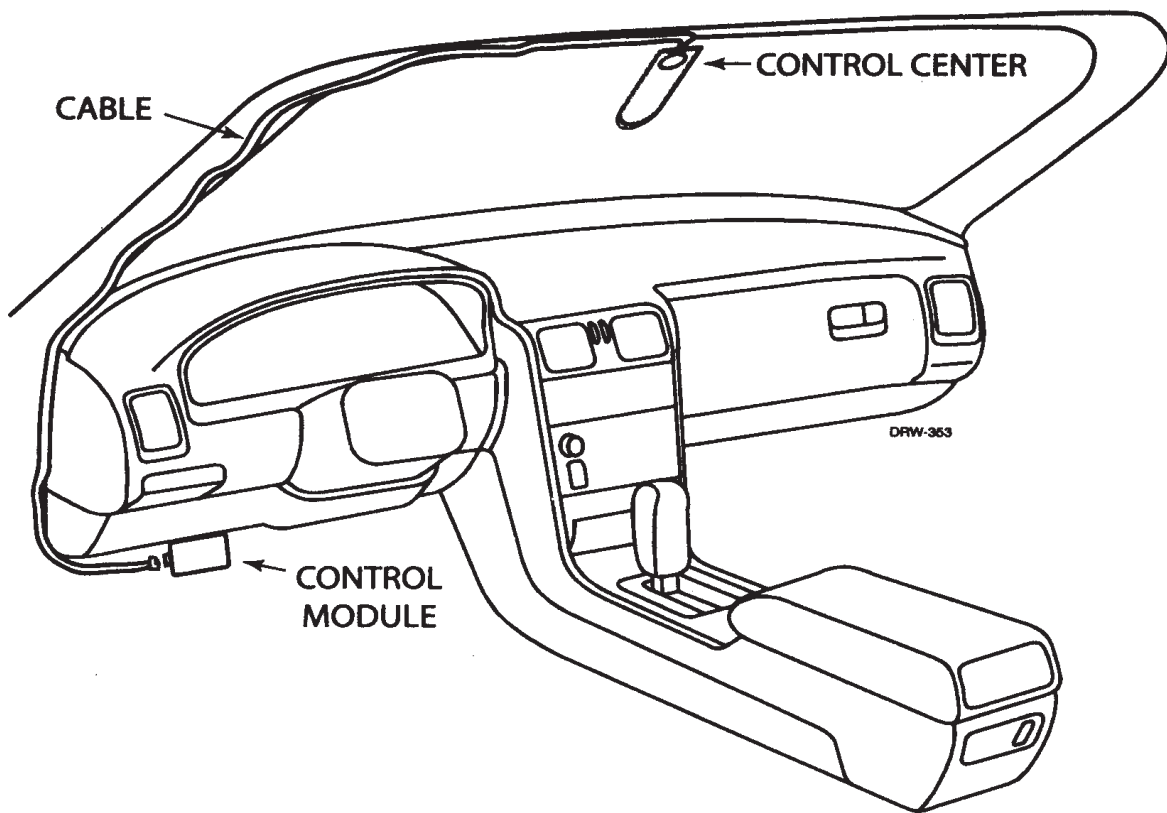
Mounting the Control Center

The control center's position should be discussed with the vehicle owner prior to installation since the antenna, with built-in status LED and Valet/Program, must be visible and accessible to the customer.

The best position to locate the control center is centered high on the front windshield. It can be mounted vertically or horizontally relative to the windshield. Metallic window tint can also affect range negatively, so this should be a consideration when determining the mounting location.

After you determine the best mounting location, follow these steps:

1. Clean the mounting area with a quality glass cleaner or alcohol to remove any dirt or residue.
2. Plug the cable into the control center.
3. Mount the control center with double-sided tape.
4. Route the cable down the window pillar to the control module and plug the cable in the control module.



Once this control center has been installed, it must be paired with the system. Use the following procedure to first prepare the vehicle system to be paired with your remote control, then, locate your remote control type (LCD or LE/Companion) and follow the corresponding procedure. For more specific programming instructions, please refer to the programming instructions in your system's owner's guide.

Note: Please refer to your system's owners guide for details on how to use your remote control.

Remote Pairing

Note: If this product is being used with an older Directed system, once the control center is connected, make sure the system is disarmed and the control center LED is completely off for a minimum of 60 seconds prior to beginning the remote pairing process.

Prepare the vehicle system to be Paired with a remote control


1. **Open** at least one vehicle door.
2. **Turn** the key to the ON position.
3. Within 5 seconds **press** and **release** the Control button on the Control Center one time.
4. Within 5 seconds, **press** and **hold** the Control button on the Control Center. The status LED begins flashing in single flash sequence and the siren/horn sounds once to confirm the system is ready for remote pairing. **Release** the button.
5. Locate your remote control type following this section and proceed with the instructions.


System Pairing will exit if:

- The ignition is turned off
- The open door is closed
- 60 seconds lapses with no actions

Note: Make sure the remote to be paired with the system is set for the desired Car 1 or Car 2 operation.

LCD Remote Control:



1. Press and hold the **f** button for 8 seconds, the remote beeps once, **Main Menu** is displayed. Release the **f** button.
2. Press the **AUX** or  buttons until **Pair** is displayed.

3. Press and hold the **f** button until the remote beeps 3 times then release the **f** button. The remote is now ready to pair with the system.
4. Press the  button.
5. Wait several seconds for feedback. If pairing is successful the siren/horn sounds and the remote emits several tones. The screen displays if the Pairing is successful or failed with corresponding text. If pairing fails repeat step 4.

To exit pairing mode on the remote:

- Press and release the  button.
- Wait 30 seconds without pressing a command button on the remote.

Responder LE or Companion Remote Control:

1. Press and hold the **f** button for 8 seconds. The transmit LED will come on solid. Release the **f** button.
2. Press and hold the  until the transmit LED flashes 3 times then comes on solid.
3. Press the  button.
4. Wait several seconds for feedback. If pairing is successful the siren/horn sounds and the 2-way remote will emit several tones (the companion remote does not generate tones). If pairing is not successful press and release the **f** button once and then repeat steps 2 and 3.

To exit pairing mode on the remote:

- Press and release the **f** button once, then press and hold until the transmit LED shuts off.
- Wait 30 seconds without pressing a command button on the remote control.

LIMITED ONE YEAR CONSUMER WARRANTY

For a period of ONE YEAR from the date of purchase of a Directed Electronics remote start or security product, Directed Electronics ("DIRECTED") promises to the original purchaser, to repair or replace with a comparable reconditioned piece, the security or remote start accessory piece (hereinafter the "Part"), which proves to be defective in workmanship or material under normal use, provided the following conditions are met: the Part was purchased from an authorized DIRECTED dealer; and the Part is returned to DIRECTED, postage prepaid, along with a clear, legible copy of the receipt or bill of sale bearing the following information: consumer's name, address, telephone number, the authorized licensed dealer's name and complete product and Part description.

This warranty is nontransferable and is automatically void if the Part has been modified or used in a manner contrary to its intended purpose or the Part has been damaged by accident, unreasonable use, neglect, improper service, installation or other causes not arising out of defect in materials or construction.

TO THE MAXIMUM EXTENT ALLOWED BY LAW, EXCEPT AS STATED ABOVE, ALL WARRANTIES, INCLUDING BUT NOT LIMITED TO EXPRESS WARRANTY, IMPLIED WARRANTY, WARRANTY OF MERCHANTABILITY, FITNESS FOR PARTICULAR PURPOSE AND WARRANTY OF NONINFRINGEMENT OF INTELLECTUAL PROPERTY, ARE EXPRESSLY EXCLUDED; AND DIRECTED NEITHER ASSUMES NOR AUTHORIZES ANY PERSON OR ENTITY TO ASSUME FOR IT ANY DUTY, OBLIGATION OR LIABILITY IN CONNECTION WITH ITS PRODUCTS. DIRECTED HEREBY DISCLAIMS AND HAS ABSOLUTELY NO LIABILITY FOR ANY AND ALL ACTS OF THIRD PARTIES INCLUDING DEALERS OR INSTALLERS. DIRECTED IS NOT OFFERING A GUARANTEE OR INSURANCE AGAINST VANDALISM, DAMAGE, OR THEFT OF THE AUTOMOBILE, ITS PARTS OR CONTENTS,

AND DIRECTED HEREBY DISCLAIMS ANY LIABILITY WHATSOEVER, INCLUDING WITHOUT LIMITATION, LIABILITY FOR THEFT, DAMAGE, OR VANDALISM. IN THE EVENT OF A CLAIM OR A DISPUTE INVOLVING DIRECTED OR ITS SUBSIDIARY, THE PROPER VENUE SHALL BE SAN DIEGO COUNTY IN THE STATE OF CALIFORNIA. CALIFORNIA STATE LAWS AND APPLICABLE FEDERAL LAWS SHALL APPLY AND GOVERN THE DISPUTE. THE MAXIMUM RECOVERY UNDER ANY CLAIM AGAINST DIRECTED SHALL BE STRICTLY LIMITED TO THE AUTHORIZED DIRECTED DEALER'S PURCHASE PRICE OF THE PART. DIRECTED SHALL NOT BE RESPONSIBLE FOR ANY DAMAGES WHATSOEVER, INCLUDING BUT NOT LIMITED TO, ANY CONSEQUENTIAL DAMAGES, INCIDENTAL DAMAGES, DAMAGES FOR THE LOSS OF TIME, LOSS OF EARNINGS, COMMERCIAL LOSS, LOSS OF ECONOMIC OPPORTUNITY AND THE LIKE. NOTWITHSTANDING THE ABOVE, THE MANUFACTURER DOES OFFER A LIMITED WARRANTY TO REPLACE OR REPAIR AT DIRECTED'S OPTION THE PART AS DESCRIBED ABOVE.

This warranty only covers Parts sold within the United States of America and Canada. Parts sold outside of the United States of America or Canada are sold "AS-IS" and shall have NO WARRANTY, express or implied. Some states do not allow limitations on how long an implied warranty will last or the exclusion or limitation of incidental or consequential damages. This warranty gives you specific legal rights and you may also have other rights that vary from State to State. DIRECTED does not and has not authorized any person or entity to create for it any other obligation, promise, duty or obligation in connection with this Part. For further details relating to warranty information of Directed products, please visit the support section of DIRECTED's website at: www.directed.com

920-10012-01 2013-07

