

# TOP-FREEZER REFRIGERATORS



## FEATURING



### EasyView™ system

The EasyView™ system's LED interior lighting puts a spotlight on food and casts a more natural light on the contents of your refrigerator so food looks as it should.



### QuickShift™ system

The QuickShift™ system's Flexi-Slide™ bin quickly and easily moves side-to-side for convenient storage options, so you can adjust to make space for tall items when needed.



### QuickSelect™ system

The QuickSelect™ system's convenient, up-front electronic temperature controls let you choose the ideal temperature for whatever foods you're storing.

# Every day, care.™

From the best selling brand in the U.S.\*

# Top-Freezer Refrigerators



## Available Colors



W  
White

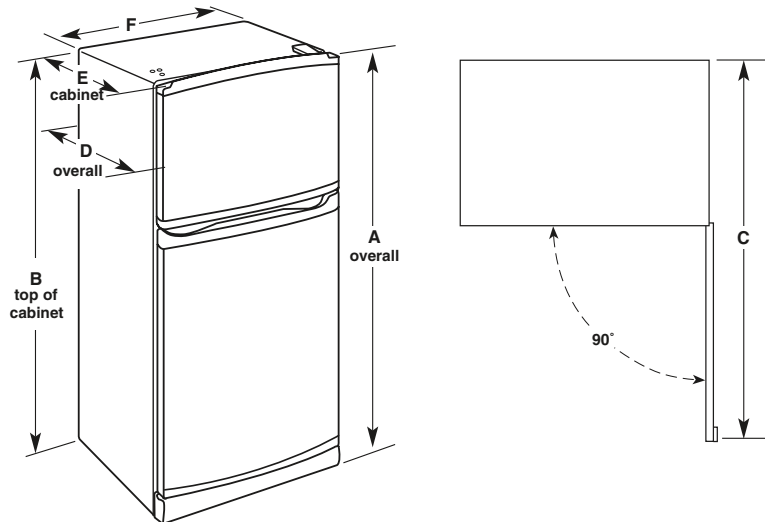


B  
Black



M  
Monochromatic  
Stainless Steel

## Product Dimensions



Model Number	Model Size	Reversible Doors	Height - Overall "A"	Height - Top of Cabinet "B"	Depth - Door Open 90° "C"	Depth - Overall "D"	Depth - Cabinet Only "E"	Width - Cabinet "F"
WRT518SZF	17.7 cu ft.	Yes	68 1/4" (173.4 cm)	67 1/8" (170.5 cm)	57" (144.8 cm)	31 5/8" (80.3 cm)	25 1/4" (64.1 cm)	28" (71.1 cm)

Dimensions are for planning purposes only. For complete details, see Installation Instructions packed with product. Specifications subject to change without notice.

## WRT518SZF

NEW

18 cu. ft.



### QuickSelect™ system

- Freezer temperature controls



### PerfectPlaces™ system

- Clear, Humidity-Controlled Crispers

## ADDITIONAL FEATURES

- EZ Connect Icemaker Kit
- Optional Icemaker
- Quiet Cooling
- Frameless Glass Shelves
- Adjustable Door Bins
- Pocket Handles

## ACCESSORY

- Ice Maker Kit (ECKMFEZ2)

