

INSTALLATION INSTRUCTIONS 27" (68.6 CM) AND 30" (76.2 CM) ELECTRIC SINGLE BUILT-IN OVEN

INSTRUCTIONS D'INSTALLATION FOUR ÉLECTRIQUE ENCASTRÉ 27" (68,6 CM) ET 30" (76,2 CM) - SIMPLE

Table of Contents/ Table des matières

BUILT-IN OVEN SAFETY	2	SÉCURITÉ DU FOUR ENCASTRÉ	11
INSTALLATION REQUIREMENTS	2	EXIGENCES D'INSTALLATION	12
Tools and Parts	2	Outillage et pièces	12
Location Requirements	2	Exigences d'emplacement	12
Electrical Requirements	4	Spécifications électriques	14
INSTALLATION INSTRUCTIONS	5	INSTRUCTIONS D'INSTALLATION	15
Prepare Built-In Oven	5	Préparation du four encastré	15
Remove Oven Door(s)	5	Dépose de la porte du four	15
Positioning Oven Feet for Multiple Cabinet Cutout Heights	6	Positionnement des pieds du four pour des ouvertures d'encastrement de hauteur différente	16
Make Electrical Connection	8	Raccordement électrique	17
Install Oven	9	Installation du four	18
Complete Installation	10	Achever l'installation	20

IMPORTANT:

Save for local electrical inspector's use.

IMPORTANT :

A Conserver pour consultation par l'inspecteur local des installations électriques.

BUILT-IN OVEN SAFETY

Your safety and the safety of others are very important.

We have provided many important safety messages in this manual and on your appliance. Always read and obey all safety messages.



This is the safety alert symbol.

This symbol alerts you to potential hazards that can kill or hurt you and others.

All safety messages will follow the safety alert symbol and either the word "DANGER" or "WARNING."

These words mean:

⚠ DANGER

You can be killed or seriously injured if you don't immediately follow instructions.

⚠ WARNING

You can be killed or seriously injured if you don't follow instructions.

All safety messages will tell you what the potential hazard is, tell you how to reduce the chance of injury, and tell you what can happen if the instructions are not followed.

INSTALLATION REQUIREMENTS

Tools and Parts

Gather the required tools and parts before starting installation. Read and follow the instructions provided with any tools listed here.

Tools Needed

- Phillips screwdriver
- Measuring tape
- Hand or electric drill (for wall cabinet installations)
- 1" (2.5 cm) drill bit (for wall cabinet installations)
- Level
- Flat-blade screwdriver

Parts Needed

- UL listed or CSA approved conduit connector
- UL listed wire connectors

Parts Supplied

- Two #8-14 x 1" (2.5 cm) screws
- Two #8-18 x 3/8" (9.5 mm) screws – bottom vent
- Four #8-18 x 1/4" (6.4 mm) screws – bottom vent trim
- Bottom vent
- Bottom vent trim
- Left front trim
- Right front trim

Check local codes. Check existing electrical supply. See "Electrical Requirements."

It is recommended that all electrical connections be made by a licensed, qualified electrical installer.

Location Requirements

IMPORTANT: Observe all governing codes and ordinances.

- Cabinet opening dimensions that are shown must be used. Given dimensions provide minimum clearance with oven.
- Recessed installation area must provide complete enclosure around the recessed portion of the oven.
- Grounded electrical supply is required. See "Electrical Requirements" section.
- Electrical supply junction box should be located 3" (7.6 cm) maximum below the support surface when the oven is installed in a wall cabinet. A 1" (2.5 cm) minimum diameter hole should have been drilled in the right rear or left rear corner of the support surface to pass the appliance cable through to the junction box.

NOTE: For undercounter installation, it is recommended that the junction box be located in the adjacent right or left cabinet. If you are installing the junction box on rear wall behind oven, it is recommended that the junction box be recessed and located in the upper center of the cabinet.

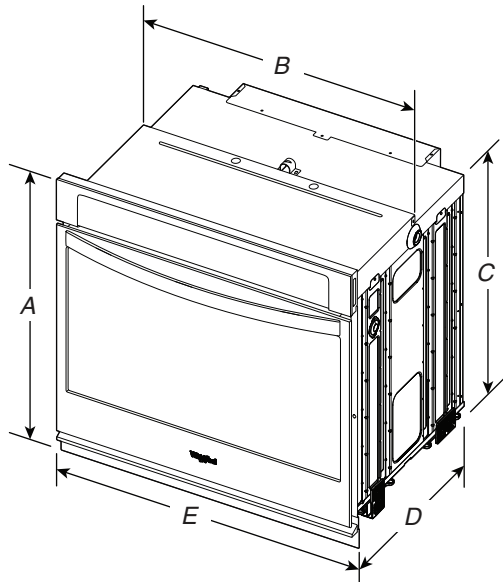
- Oven support surface must be solid, level and flush with bottom of cabinet cutout.
- Floor must be able to support a single oven weight of 129 lbs (59 kg) for 27" (68.6 cm) models or 154 lbs (70 kg) for 30" models (76.2 cm).

IMPORTANT: To avoid damage to your cabinets, check with your builder or cabinet supplier to make sure that the materials used will not discolor, delaminate or sustain other damage. This oven has been designed in accordance with the requirements of UL and CSA International and complies with the maximum allowable wood cabinet temperatures of 194°F (90°C).

Undercounter Installation (with cooktop installed above):

Ovens approved for this type of installation have an approval label located on the top of the oven. Refer to undercounter installation instructions for cutout dimensions and approved oven cooktop combinations (separate sheet).

Product Dimensions - Single Oven



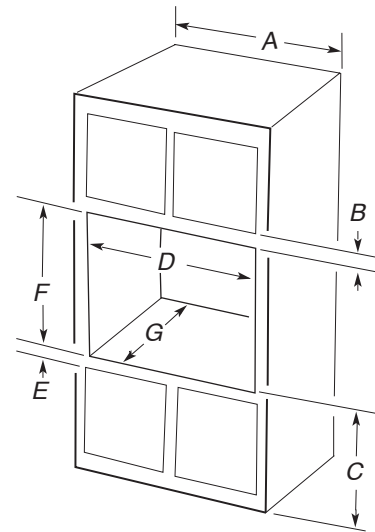
27" (68.6 cm) models

- A. 28³/₄" (72.8 cm) max. overall height
- B. 25⁷/₁₆" (64.6 cm) max. recessed width
- C. 26³/₄" (67.9 cm) recessed height
- D. 23¹/₄" (59.1 cm) max. recessed depth
- E. 27" (68.6 cm) overall width*

30" (76.2 cm) models

- A. 28³/₄" (72.8 cm) max. overall height
- B. 28¹/₂" (72.4 cm) max. recessed width
- C. 26³/₄" (67.9 cm) recessed height
- D. 23¹/₄" (59.1 cm) max. recessed depth
- E. 30" (76.2 cm) overall width

Single Ovens Installed in Cabinet



27" (68.6 cm) models

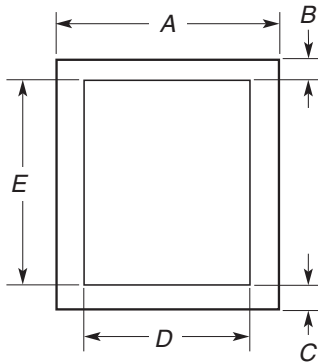
- A. 27" (68.6 cm) min. cabinet width
- B. 1" (2.5 cm) top of cutout to bottom of upper cabinet door
- C. 32" (81.3 cm) bottom of cutout to floor
- D. 25¹/₂" (64.8 cm) cutout width
- E. 1¹/₂" (3.8 cm) min. bottom of cutout to top of cabinet door
- F. 28" (71.2 cm)* recommended cutout height
- G. 24" (60.7 cm) cutout depth

30" (76.2 cm) models

- A. 30" (76.2 cm) min. cabinet width
- B. 1" (2.5 cm) top of cutout to bottom of upper cabinet door
- C. 32" (81.3 cm) bottom of cutout to floor
- D. 28¹/₂" (72.4 cm) cutout width
- E. 1¹/₂" (3.8 cm) min. bottom of cutout to top of cabinet door
- F. 28" (71.2 cm)* recommended cutout height
- G. 24" (60.7 cm) cutout depth

Cabinet Dimensions - Single Oven

Single Oven Undercounter (without cooktop installed above)



27" (68.6 cm) models

- A. 27" (68.6 cm) min. cabinet width
- B. 1¹/₂" (3.8 cm) min. top of cutout to underside of countertop
- C. 5¹/₄" (13.3 cm) bottom of cutout to floor
- D. 25¹/₂" (64.8 cm) cutout width
- E. 28" (71.2 cm) min. cutout height

30" (76.2 cm) models

- A. 30" (76.2 cm) min. cabinet width
- B. 1¹/₂" (3.8 cm) min. top of cutout to underside of countertop
- C. 5¹/₄" (13.3 cm) bottom of cutout to floor
- D. 28¹/₂" (72.4 cm) cutout width
- E. 28" (71.2 cm) min. cutout height

* **NOTE:** The cutout height can be between 26¹⁵/₁₆" (68.4 cm) and 29⁷/₁₆" (74.8 cm) for single ovens.

Electrical Requirements

If codes permit and a separate ground wire is used, it is recommended that a qualified electrical installer determine that the ground path and the wire gauge are in accordance with local codes.

Check with a qualified electrical installer if you are not sure the oven is properly grounded.

This oven must be connected to a grounded metal, permanent wiring system.

Be sure that the electrical connection and wire size are adequate and in conformance with the National Electrical Code, ANSI/NFPA 70 – latest edition or CSA Standards C22.1-94, Canadian Electrical Code, Part 1 and C22.2 No. O-M91 – latest edition, and all local codes and ordinances.

A copy of the above code standards can be obtained from:

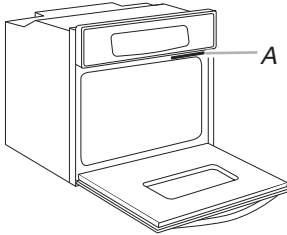
National Fire Protection Association
1 Batterymarch Park
Quincy, MA 02169-7471

CSA International
8501 East Pleasant Valley Road
Cleveland, OH 44131-5575

Electrical Connection

To properly install your oven, you must determine the type of electrical connection you will be using and follow the instructions provided for it here.

- Oven must be connected to the proper electrical voltage and frequency as specified on the model/serial/rating plate. The model/serial/rating plate is located under the control panel on single ovens. See the following illustrations.



Single oven
A. Model/serial/rating plate

- Models rated from 7.3 to 9.6 kW at 240 V (5.4 to 7.4 kW at 208 V) require a separate 40 A circuit. Models rated at 4.8 kW and below at 240 V (3.6 kW and below at 208 V) require a separate 20 A circuit.
- A circuit breaker is recommended.

- Connect directly to the circuit breaker box (or fused disconnect) through flexible, armored, or nonmetallic sheathed, copper cable (with grounding wire). See the “Make Electrical Connection” section.
- Flexible conduit from the oven should be connected directly to the junction box.
- Fuse both sides of the line.
- Do not cut the conduit. The length of conduit provided is for serviceability of the oven.
- A UL-listed or CSA-approved conduit connector must be provided.
- If the house has aluminum wiring, follow the procedure below:

Connect the aluminum wiring using special connectors and/or tools designed and UL listed for joining copper to aluminum.

Follow the electrical connector manufacturer’s recommended procedure. Aluminum/copper connection must conform with local codes and industry accepted wiring practices.

For power requirements refer to the following table.

Voltage	Load
240 VAC	3,800 W
208 VAC	2,900 W
240 VAC	16.0 A
208 VAC	14.0 A

INSTALLATION INSTRUCTIONS

Prepare Built-In Oven

1. Decide on the final location for the oven. Avoid drilling or cutting into house wiring during installation.

! WARNING

Excessive Weight Hazard

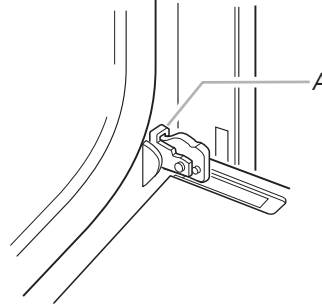
**Use two or more people to move and install oven.
Failure to do so can result in back or other injury.**

2. To avoid floor damage, set the oven onto cardboard prior to installation. Do not use handle or any portion of the front frame for lifting.
3. Remove the shipping materials and tape from the oven.
4. Remove the hardware package from inside the bag containing literature.
5. Remove and set aside racks and other parts from inside the oven.
6. Move oven and cardboard close to the oven's final location.

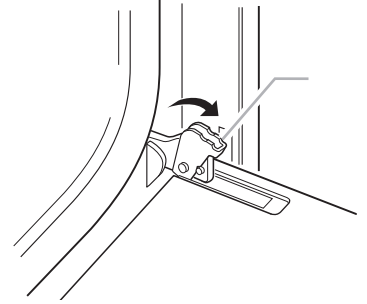
Remove Oven Door(s)

IMPORTANT: Use both hands to remove oven doors.

1. Open the oven door.
2. Locate the oven door latches in both corners of the oven door, and rotate the latches forward to the unlocked position.

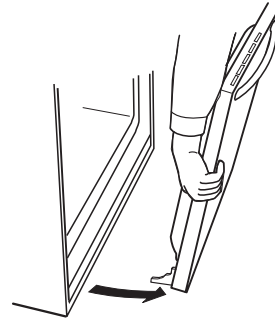


A. Oven door latch in locked position



A. Oven door latch in unlocked position

3. Grasp the edges of the oven door with both hands and close the oven door until it will no longer close. Lift and pull oven door toward you and remove. Set the oven door(s) aside on a covered work surface.



Positioning Oven Feet for Multiple Cabinet Cutout Heights

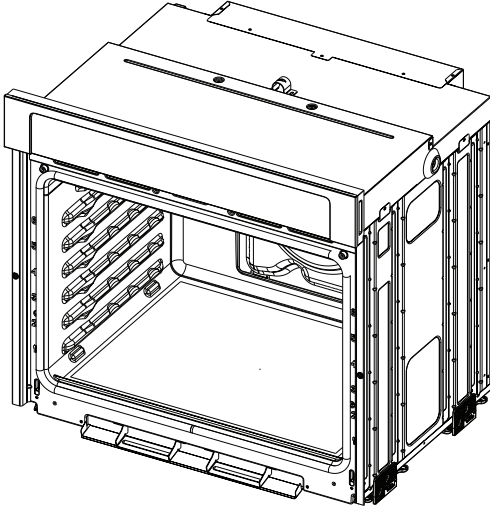
Single Ovens

The positioning of the oven feet allow a single oven to be installed in a cutout height between $26\frac{15}{16}$ " (68.4 cm) and $29\frac{7}{16}$ " (74.8 cm). Refer to the following instructions to position the feet for the size of your cabinet cutout.

Cutout height is between $27\frac{5}{8}$ " (70.2 cm) and $28\frac{5}{8}$ " (72.7 cm)

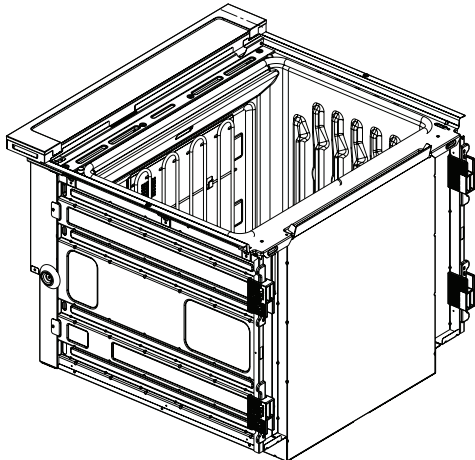
The oven feet do not need to be changed. They are positioned correctly as received.

Go to the "Make Electrical Connection" section.



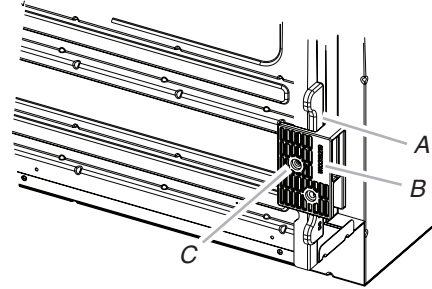
Cutout Height is between $26\frac{15}{16}$ " (68.4 cm) and $27\frac{1}{16}$ " (70.3 cm)

1. Using 2 or more people, place the oven on its back on a covered surface.



2. Remove the foot from the right front spacer by removing the #8-18 x 3/8" (9.5 mm) screw.

NOTE: Do not remove the spacer.

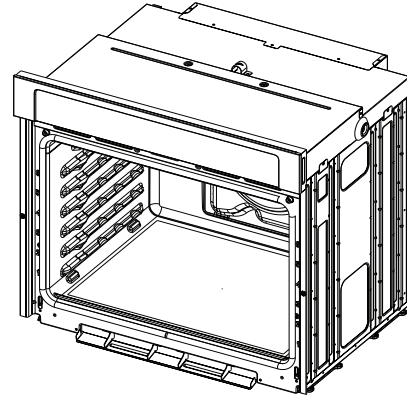


A. Spacer

B. Foot

C. #8-18 x 3/8" (9.5 mm) screw

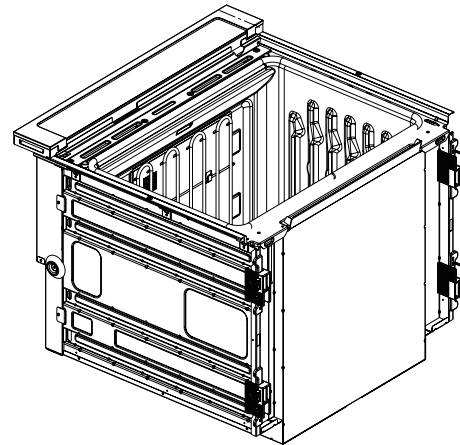
3. In the same manner, remove the feet on the right rear, left front, and left rear of the oven.
4. Using 2 or more people, place the oven in its upright position.



5. Go to the "Make Electrical Connection" section.

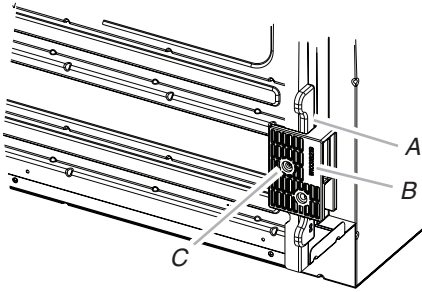
Cutout Height is between $28\frac{1}{16}$ " (72.8 cm) and $29\frac{7}{16}$ " (74.8 cm)

1. Using 2 or more people, place the oven on its back on a covered surface.



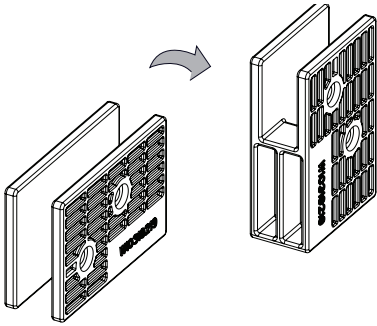
2. Remove the foot from the right front spacer by removing the #8-18 x 3/8" (9.5 mm) screw.

NOTE: Do not remove the spacer.

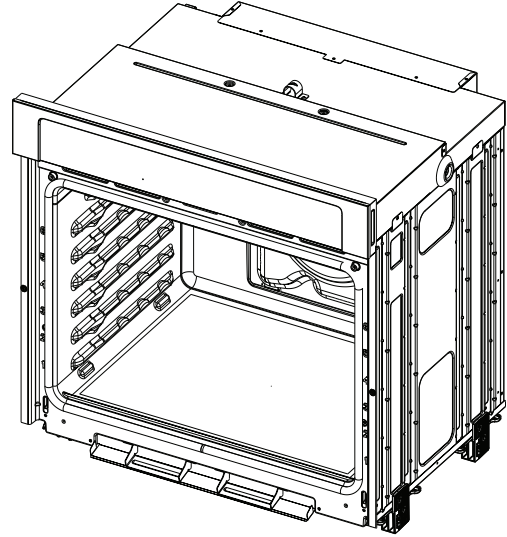


- A. Spacer
- B. Foot
- C. #8-18 x 3/8" (9.5 mm) screw

3. Rotate the foot 90° so the short side of the foot is positioned toward the top of the oven.



4. Reinstall the foot to the spacer using the #8-18 x 3/8" (9.5 mm) screw previously removed.
5. In the same manner, remove, rotate and reinstall the feet on the right rear, left front, and left rear of the oven.
6. Using 2 or more people, place the oven in its upright position.



7. Go to the "Make Electrical Connection" section.

Make Electrical Connection

For Single Ovens

⚠ WARNING



Electrical Shock Hazard

Disconnect power before servicing.

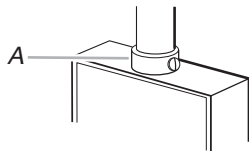
Use 12 gauge copper wire.

Electrically ground oven.

Failure to follow these instructions can result in death, fire, or electrical shock.

This oven is manufactured with a neutral (white) power supply wire and a cabinet-connected green (or bare) ground wire twisted together.

1. Disconnect power.
2. Feed the flexible conduit from the oven through the opening in the cabinet.
3. Remove junction box cover if it is present.
4. Install a UL-listed or CSA-approved conduit connector to the junction box.

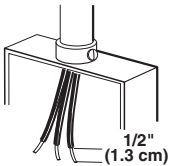
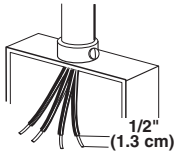


A. UL-listed or CSA approved conduit connector

5. Route the flexible conduit from the oven to the junction box through a UL-listed or CSA approved conduit connector.
6. Tighten screws on conduit connector.
7. See "Electrical Connection Options Chart" to complete installation for your type of electrical connection.

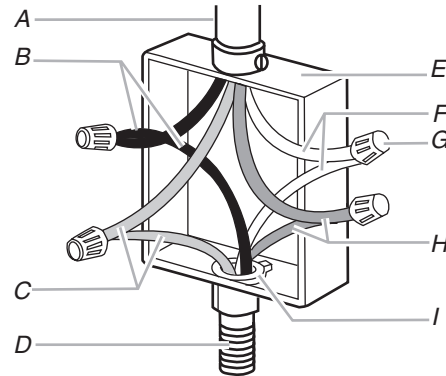
Electrical Connection Options Chart

If your home has:	Go to section:
4-wire 	4-Wire Cable from Home Power Supply
3-wire 	3-Wire Cable from Home Power Supply



4-Wire Cable from Home Power Supply

IMPORTANT: Use the 4-wire cable from home power supply in the U.S. where local codes do not allow grounding through neutral, New Branch circuit installations (1996 NEC), mobile homes and recreational vehicles, new construction, and in Canada.

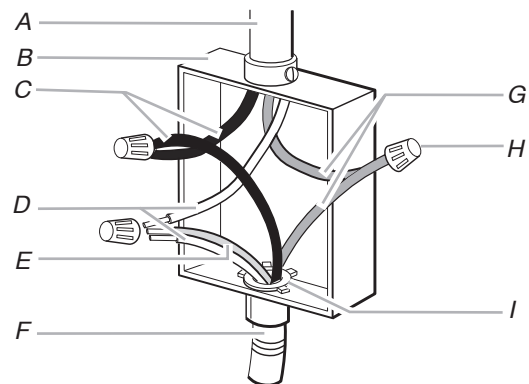


- | | |
|--------------------------------------|--|
| A. Cable from home power supply | F. White wires |
| B. Black wires | G. UL listed wire connectors |
| C. Red wires | H. Green (or bare) ground wires |
| D. 4-wire flexible conduit from oven | I. UL-listed or CSA approved conduit connector |
| E. Junction box | |

1. Connect the 2 black wires (B) together using a UL-listed wire connector.
2. Connect the 2 red wires (C) together using a UL-listed wire connector.
3. Untwist white wire from green (or bare) ground wire coming from the oven.
4. Connect the 2 white wires (F) together using a UL-listed wire connector.
5. Connect the green (or bare) ground wire (H) from the oven cable to the green (or bare) ground wire (in the junction box) using a UL-listed wire connector.
6. Install junction box cover.

3-Wire Cable from Home Power Supply - U.S.A. Only

IMPORTANT: Use the 3-wire cable from home power supply where local codes permit a 3-wire connection.



- | | |
|--|--|
| A. Cable from home power supply | F. 4-wire flexible conduit from oven |
| B. Junction box | G. Red wires |
| C. Black wires | H. UL listed wire connectors |
| D. White wires | I. UL-listed or CSA approved conduit connector |
| E. Green (or bare) ground wire (from oven) | |

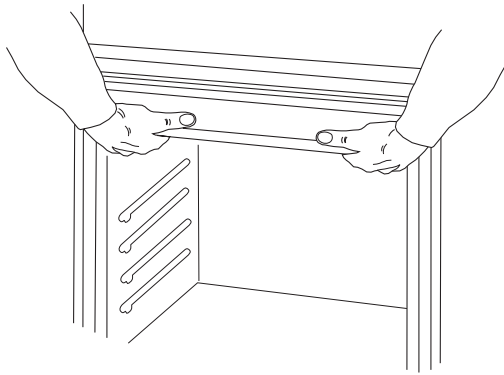
1. Connect the 2 black wires (C) together using a UL-listed wire connector.

2. Connect the 2 white wires (D) and the green (or bare) ground wire (of the oven cable) using a UL-listed wire connector.
3. Connect the 2 red wires (G) together using a UL-listed wire connector.
4. Install junction box cover.

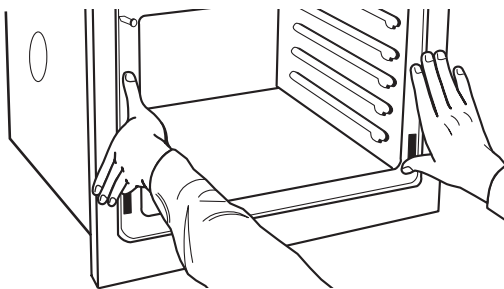
Install Oven

1. Using 2 or more people, lift the oven partially into the cabinet cutout. Use the oven opening as an area to grip.

NOTE: Push against seal area of the oven front frame when pushing the oven into the cabinet. Do not push against the outside edges.



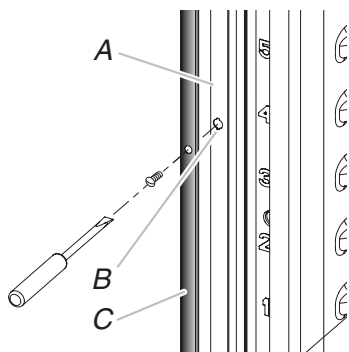
2. Push against the seal area of the front frame to push the oven into the cabinet until the back surface of the front frame touches the front wall of the cabinet.



3. Push oven completely into the cabinet and center the oven into the cabinet cutout.

4. Remove the tape from the black front trim.

- Securely fasten the oven to the cabinet using the #8-14 x 1" (2.5 cm) screws provided.
- Insert the screws through holes in black trim, aligning with the holes in oven frame and mounting spacers already in place. Do not overtighten screws.

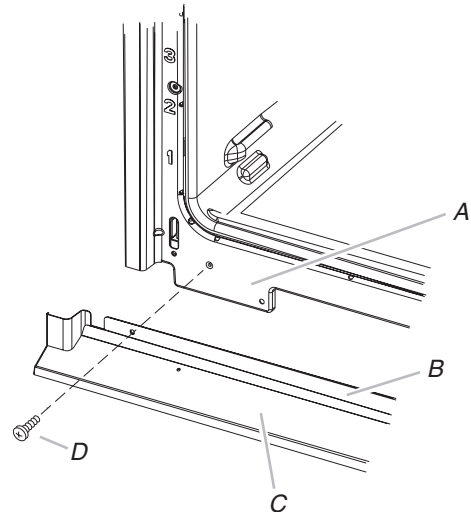


A. Oven frame
B. Oven frame hole
C. Black trim piece

5. The bottom vent and bottom vent trim (required when the oven is installed with the feet in the tall position) are shipped in the foam packing at the top of the oven.

To install only the bottom vent, see the following instructions. To install both the bottom vent and the bottom vent trim for installations with the feet in the tall position, see the instructions in Step 6.

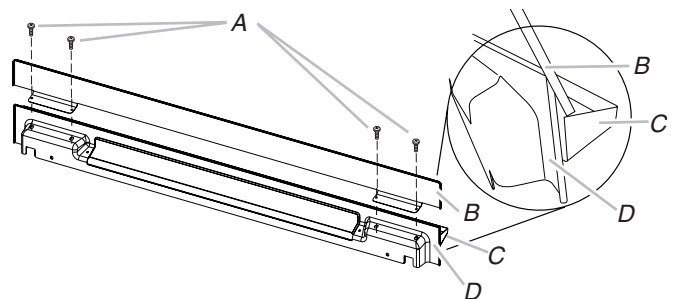
- Align vent tab (B) with oven frame (A) as shown.
- Using one #8-18 x 3/8" (9.5 mm) screw (D) on each side of the vent tab (B), fasten the vent securely to the oven.



A. Oven frame
B. Vent tab
C. Oven vent
D. #8-18 x 3/8" (9.5 mm) screws

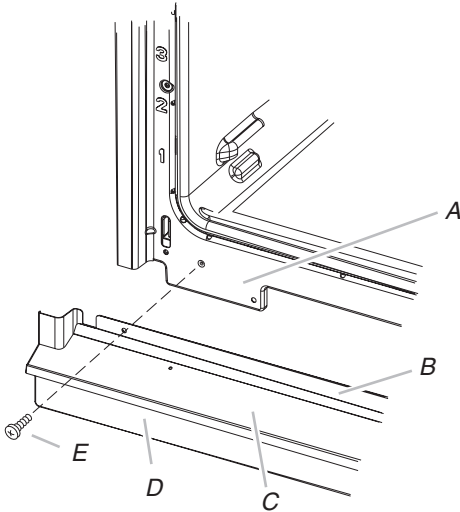
6. On models with the feet installed in the tall position, the bottom vent trim must also be installed. See the following instructions to install.

- Flex the upper vent piece (C) away from the lower vent piece (D) to slide the bottom vent trim (B) between them. Some force may be required to flex the upper vent trim (C) away from the lower vent trim (D). Some force may also be required to flex the bottom vent trim (B) and slide it into position. Make sure screw holes are properly aligned between the two pieces. See the following illustration.
- Install the bottom vent trim (B) to the lower vent piece (D) using two #8-18 x 1/4" (6.4 mm) screws on each side.



A. #8-18 x 1/4" (6.4 mm) screw
B. Bottom vent trim
C. Upper vent piece
D. Lower vent piece

- Align vent tab (B) with oven frame (A) as shown.
- Using one #8-18 x 3/8" (9.5 mm) screw (E) on each side of the vent tab (B), fasten the vent securely to the oven.



A. Oven frame
 B. Vent tab
 C. Oven vent
 D. Bottom vent trim
 E. #8-18 x 3/8"
 (9.5 mm) screw

7. Replace the oven racks.
8. Replace the oven door by inserting the ends of hinges into the hinge slots in the oven frame.
9. Push the hinges in as far as they will go and open the oven door. You should feel the oven door drop into place.
10. Rotate both hinge latches back to the locked position.
11. Check that the door is free to open and close. If it is not, repeat the removal and installation procedures. See the "Prepare Built-In Oven" section.
12. Reconnect power.
13. The display panel will light briefly, and "12:00" should appear in the display.
14. If the display panel does not light, reference the "Assistance or Service" section of the Use and Care Guide or contact the dealer from whom you purchased your oven.

Complete Installation

1. Check that all parts are now installed. If there is an extra part, go back through the steps to see which step was skipped.
2. Check that you have all of your tools.
3. Dispose of/recycle all packaging materials.
4. For oven use and cleaning, read the Use and Care Guide.

Check Operation of Single Oven

1. Turn power on.
2. At first use, set up the clock and any other preferences if available. For more information, read the Use and Care Guide.
3. Press BROIL on single oven models.
4. Set the temperature.
5. Press START/▷.

If oven does not operate, check the following:

- Household fuse is intact and tight, or circuit breaker has not tripped.
 - Electrical supply is connected.
 - See "Troubleshooting" section in the Use and Care Guide.
6. When oven has been on for 5 minutes, feel for heat. If you do not feel heat or if an error message appears in the display, turn off the oven and contact a qualified technician.
 7. Press OFF/CANCEL/X.

If you need Assistance or Service

Please reference the "Assistance or Service" section of the Use and Care Guide or contact the dealer from whom you purchased your built-in oven.

SÉCURITÉ DU FOUR ENCASTRÉ

Votre sécurité et celle des autres est très importante.

Nous donnons de nombreux messages de sécurité importants dans ce manuel et sur votre appareil ménager. Assurez-vous de toujours lire tous les messages de sécurité et de vous y conformer.



Voici le symbole d'alerte de sécurité.

Ce symbole d'alerte de sécurité vous signale les dangers potentiels de décès et de blessures graves à vous et à d'autres.

Tous les messages de sécurité suivront le symbole d'alerte de sécurité et le mot "DANGER" ou "AVERTISSEMENT". Ces mots signifient :

⚠ DANGER

Risque possible de décès ou de blessure grave si vous ne suivez pas immédiatement les instructions.

⚠ AVERTISSEMENT

Risque possible de décès ou de blessure grave si vous ne suivez pas les instructions.

Tous les messages de sécurité vous diront quel est le danger potentiel et vous disent comment réduire le risque de blessure et ce qui peut se produire en cas de non-respect des instructions.

EXIGENCES D'INSTALLATION

Outillage et pièces

Rassembler les outils et composants nécessaires avant d'entreprendre l'installation. Lire et observer les instructions fournies avec chacun des outils de la liste ci-dessous.

Outils nécessaires

- Tournevis Phillips
- Mètre ruban
- Perceuse manuelle ou électrique (pour installation dans un placard mural)
- Foret de 1" (2,5 cm) (pour installation dans un placard mural)
- Niveau
- Tournevis à lame plate

Pièces nécessaires

- Connecteur de conduit (homologation UL ou CSA)
- Connecteurs de fils (homologation UL)

Pièces fournies

- Deux vis n° 8-14 x 1" (2,5 cm)
- Deux vis n° 8-18 x 3/8" (9,5 mm) – Évén inférieur
- Quatre vis n° 8-18 x 1/4" (6,4 mm) – Garniture de l'évén inférieur
- Évén inférieur
- Garniture de l'évén
- Garniture avant gauche
- Garniture avant droit

Consulter les codes locaux. Vérifier l'alimentation électrique existante. Voir "Spécifications électriques".

Il est recommandé de faire réaliser tous les raccordements électriques par un électricien qualifié agréé.

Exigences d'emplacement

IMPORTANT: Observer les dispositions de tous les codes et règlements en vigueur.

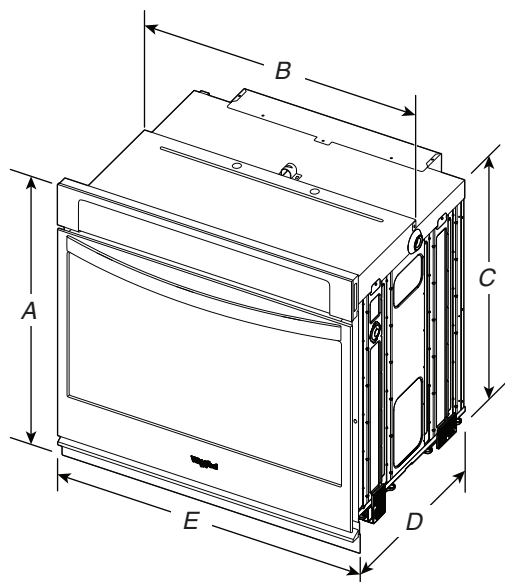
- Respecter les dimensions indiquées pour les ouvertures à découper dans les placards. Ces dimensions prennent en compte les dégagements de séparation nécessaires.
- L'espace d'installation doit permettre la formation d'une enceinte complète autour de la partie encastrée du four.
- Une source d'électricité avec liaison à la terre est nécessaire. Voir la section "Spécifications électriques".
- Le boîtier de raccordement doit être situé à moins de 3" (7,6 cm) au-dessous de la surface de support lorsque le four est installé dans un placard mural. Un trou de diamètre 1" (2,5 cm) ou plus doit avoir été percé dans l'angle arrière gauche ou droit de la surface de support pour le passage du câble d'alimentation de l'appareil jusqu'au boîtier de connexion.
REMARQUE : Pour l'installation sous un plan de travail, on recommande que le boîtier de connexion soit situé dans le placard adjacent, à droite ou à gauche. Dans le cas de l'installation du boîtier de connexion sur le mur arrière, derrière le four, le boîtier de connexion doit être encastré et placé au centre de la partie supérieure du placard.
- La surface de support du four doit être robuste, horizontale et en affleurement avec le bas de l'ouverture découpée dans le placard.
- Le plancher doit pouvoir supporter le poids d'un four simple de 129 lb (59 kg) pour les modèles de 27" (68,6 cm) ou 154 lb (70 kg) pour les modèles de 30" (76,2 cm).

IMPORTANT : Afin d'éviter d'endommager les placards, consulter le constructeur de la maison ou le fabricant des placards pour déterminer si les matériaux utilisés peuvent subir un changement de couleur, une déstratification ou d'autres dommages. Ce four a été conçu conformément aux exigences des normes UL et CSA International et respecte les températures maximales permises de 194°F (90°C) pour les placards en bois.

Installation sous un plan de travail (avec table de cuisson installée au-dessus):

Les fours homologués pour ce type d'installation comportent une étiquette d'homologation placée sur le dessus. Voir les instructions d'installation du plan de travail au sujet des dimensions de l'ouverture à réaliser et des combinaisons approuvées four/table de cuisson (document distinct).

Dimensions du produit – Fours simples



Modèles de 27" (68,6 cm)

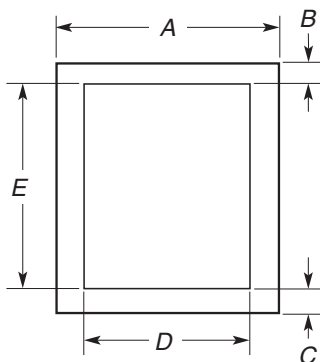
- A. Hauteur hors-tout 28³/₄" (72,8 cm) max.
- B. Largeur d'encastrement 25⁷/₁₆" (64,6 cm) max.
- C. Hauteur d'encastrement 26³/₄" (67,9 cm)
- D. Profondeur d'encastrement 23³/₄" (59,1 cm) max.
- E. Largeur hors-tout 27" (68,6 cm)

Modèles de 30" (76,2 cm)

- A. Hauteur hors-tout 28³/₄" (72,8 cm) max.
- B. Largeur d'encastrement 28¹/₂" (72,4 cm) max.
- C. Hauteur d'encastrement 26³/₄" (67,9 cm)
- D. Profondeur d'encastrement 23³/₄" (59,1 cm)
- E. Largeur hors-tout 30" (76,2 cm)

Dimensions du placard – Fours simples

Four simple sous le plan de travail (sans table de cuisson au-dessus)



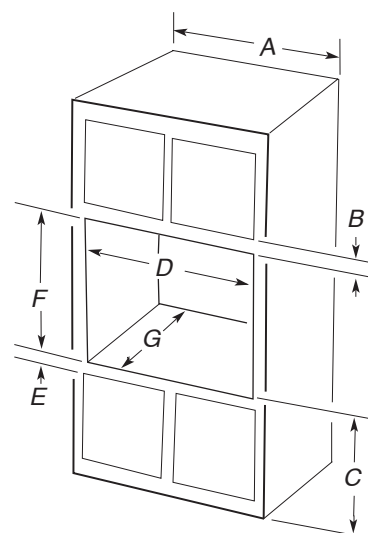
Modèles de 27" (68,6 cm)

- A. Largeur du placard 27" (68,6 cm) min.
- B. 1¹/₂" (3,8 cm) min. entre le sommet de l'ouverture découpée et la face inférieure du plan de travail
- C. 5¹/₄" (13,3 cm) entre le bas de l'ouverture découpée et le sol
- D. Largeur de l'ouverture découpée 25¹/₂" (64,8 cm)
- E. Hauteur de l'ouverture découpée 28" (71,2 cm) min.

Modèles de 30" (76,2 cm)

- A. Largeur du placard 30" (76,2 cm) min.
- B. 1¹/₂" (3,8 cm) min. entre le sommet de l'ouverture découpée et la face inférieure du plan de travail
- C. 5¹/₄" (13,3 cm) entre le bas de l'ouverture découpée et le sol
- D. Largeur de l'ouverture découpée 28¹/₂" (72,4 cm)
- E. Hauteur de l'ouverture découpée 28" (71,2 cm) min.

Fours simples installés dans un placard



Modèles de 27" (68,6 cm)

- A. Largeur du placard 27" (68,6 cm) min.
- B. 1" (2,5 cm) entre le sommet de l'ouverture découpée et le bas de la porte du placard supérieur
- C. 32" (81,3 cm) entre le bas de l'ouverture découpée et le sol
- D. Largeur de l'ouverture découpée 25¹/₂" (64,8 cm)
- E. 1¹/₂" (3,8 cm) min. entre le bas de l'ouverture découpée et le sommet de la porte du placard
- F. Hauteur de l'ouverture découpée recommandée 28" (71,2 cm)*
- G. Profondeur de l'ouverture 24" (60,7 cm)

Modèles de 30" (76,2 cm)

- A. Largeur du placard 30" (76,2 cm) min.
- B. 1" (2,5 cm) entre le sommet de l'ouverture découpée et le bas de la porte du placard supérieur
- C. 32" (81,3 cm) entre le bas de l'ouverture découpée et le sol
- D. Largeur de l'ouverture découpée 28¹/₂" (72,4 cm)
- E. 1¹/₂" (3,8 cm) min. entre le bas de l'ouverture découpée et le sommet de la porte du placard
- F. Hauteur de l'ouverture découpée recommandée 28" (71,2 cm)*
- G. Profondeur de l'ouverture 24" (60,7 cm)

* **REMARQUE:** Pour les fours simples, la hauteur de l'ouverture découpée peut être comprise entre 26¹⁵/₁₆" (68,4 cm) et 29⁷/₁₆" (74,8 cm).

Spécifications électriques

Si on utilise un conducteur distinct de liaison à la terre lorsque les codes le permettent, il est recommandé qu'un électricien qualifié vérifie que la liaison à la terre et le calibre pour fils sont conformes aux codes locaux.

En cas de doute quant à la qualité de la liaison à la terre du four, consulter un électricien qualifié.

Ce four doit être raccordé à un système permanent, métallique de câblage relié à la terre.

S'assurer que la connexion électrique et le calibre des fils sont appropriés et conformes au National Electrical Code, aux normes ANSI/NFPA 70 – dernière édition, ou aux normes CSA C22.1-94, au Code canadien de l'électricité, Partie 1 et C22.2 N° O-M91 – dernière édition, et à tous les codes et règlements locaux.

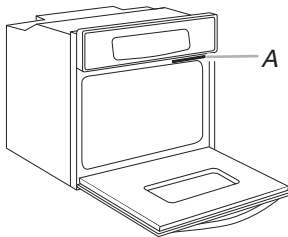
Pour obtenir un exemplaire de la norme des codes ci-dessus, contacter :

National Fire Protection Association
1 Batterymarch Park
Quincy, MA 02169-7471
CSA International
8501 East Pleasant Valley Road
Cleveland, OH 44131-5575

Raccordement électrique

Pour installer le four correctement, il faut établir le type de raccords électriques que l'on utilisera et suivre les instructions indiquées ici.

- Le four doit être alimenté par une source d'électricité appropriée (caractéristiques de tension et fréquence spécifiées sur du les no de modèle/du no de série/de la plaque signalétique). La du no de modèle/du no de série/de la plaque signalétique est située sous le tableau de commande sur du fours simples. Voir l'illustration cidessous.



Four simple

A. Modèle/du no de série/
de la plaque signalétique

- Un modèle de 7,3 à 9 kW/240 volts (5,4 à 7,4 kW/208 volts) doit être alimenté par un circuit indépendant de 40 A. Un modèle de 4,8 kW ou moins à 240 volts (3,6 kW ou moins à 208 volts) doit être alimenté par un circuit indépendant de 20 A.
- On recommande d'utiliser un disjoncteur.
- Raccorder l'appareil directement au coupe-circuit avec fusible ou au disjoncteur par un câble à conducteur de cuivre et gaine métallique flexible ou gaine non métallique (avec conducteur de liaison à la terre). Voir la section "Raccordement électrique".
- Le câble blindé flexible du four doit être connecté directement dans le boîtier de connexion.

- Protéger par fusible les deux extrémités de la ligne.
- Ne pas couper le conduit. La longueur du conduit fournie est destinée à faciliter l'entretien du four.
- L'installateur doit fournir un connecteur de conduit (homologation UL ou CSA).
- Si le domicile est équipé d'un câblage en aluminium, suivre les instructions suivantes :
Connecter le câblage en aluminium en utilisant des connecteurs et/ou des outils spécialement conçus et homologués UL pour fixer le cuivre à l'aluminium.
Appliquer la procédure recommandée par le fabricant des connecteurs. La connexion aluminium/cuivre doit être conforme aux codes locaux et aux pratiques de câblage acceptées par l'industrie.

Pour connaître les spécifications de puissance se référer au tableau ci-dessous.

Tension	Charge
240 VCA	3800 W
208 VCA	2900 W
240 VCA	16,0 A
208 VCA	14,0 A

INSTRUCTIONS D'INSTALLATIONS

Préparation du four encastré

1. Choisir l'emplacement final pour l'installation du four. Éviter de percer ou d'endommager le câblage lors de l'installation.

⚠ AVERTISSEMENT

Risque du poids excessif

Utiliser deux ou plus de personnes pour déplacer et installer le four.

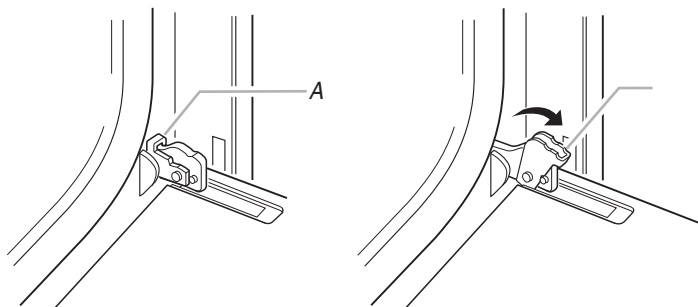
Le non-respect de cette instruction peut causer une blessure au dos ou d'autre blessure.

2. Pour éviter d'endommager le plancher, placer le four sur une feuille de carton avant l'installation. Lors des opérations de levage, ne pas prendre prise sur la poignée ou sur une autre partie du châssis avant.
3. Enlever les matériaux d'emballage et les rubans adhésifs du four.
4. Enlever le sachet de matériel à l'intérieur du sachet de documentation.
5. Enlever et conserver à part les grilles et autres composants qu'on trouve à l'intérieur du four.
6. Approcher le four et la feuille de carton de l'emplacement final du four.

Dépose de la porte du four

IMPORTANT: Employer les deux mains pour enlever la/les porte(s) du four.

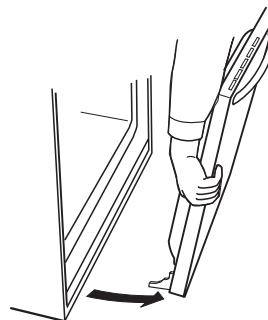
1. Ouvrir la porte du four.
2. Identifier les charnières de la porte du four dans les deux angles de la porte; faire pivoter les charnières vers l'avant jusqu'à la position de déverrouillage.



A. Porte du four – position de verrouillage

B. Porte du four – position de déverrouillage

3. Saisir les bords de la porte du four avec les deux mains et effectuer une manoeuvre de fermeture de la porte du four, jusqu'à la position où la fermeture de la porte n'est plus possible. Soulever et tirer la porte du four vers soi et enlever la porte. Conserver la/les porte(s) du four à part sur une surface de travail couverte.



Positionnement des pieds du four pour des ouvertures d'encastrement de hauteur différente

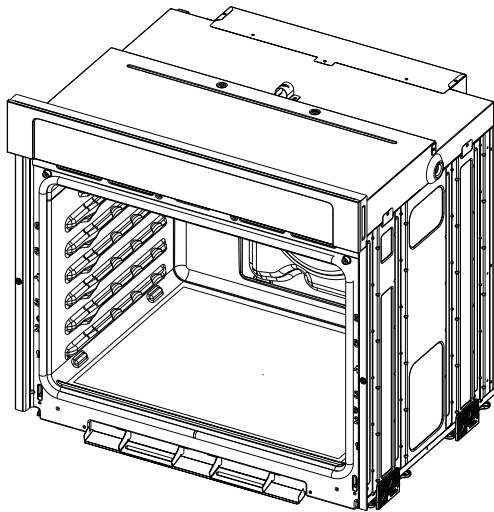
Four simple

En modifiant le positionnement des pieds du four, on peut installer un four simple dans une cavité d'encastrement d'une hauteur comprise entre $26\frac{15}{16}$ " (68,4 cm) et $26\frac{7}{16}$ " (74,8 cm). Consulter les instructions suivantes pour adapter la position des pieds à la taille de la cavité d'encastrement.

La hauteur d'encastrement est comprise entre $27\frac{5}{8}$ " (70,2 cm) et $28\frac{5}{8}$ " (72,7 cm)

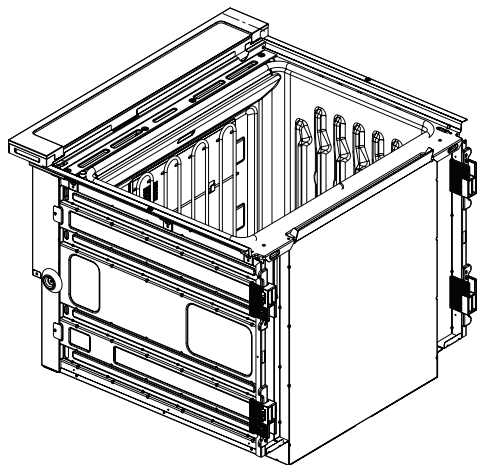
Les pieds du four ne peuvent pas être remplacés. Ils sont correctement positionnés à leur sortie d'usine.

Passer à la section "Raccordement électrique".



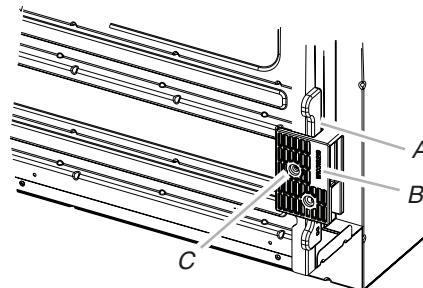
La hauteur de la cavité d'encastrement est comprise entre $26\frac{15}{16}$ " (68,4 cm) and $27\frac{1}{16}$ " (70,3 cm)

1. À l'aide d'au moins 2 personnes, placer le four sur sa partie arrière, sur une surface couverte.



2. Retirer le pied de la cale d'espacement avant droite en ôtant la vis n° 8-18 x 3/8" (9,5 mm).

REMARQUE: Ne pas retirer la cale d'espacement.

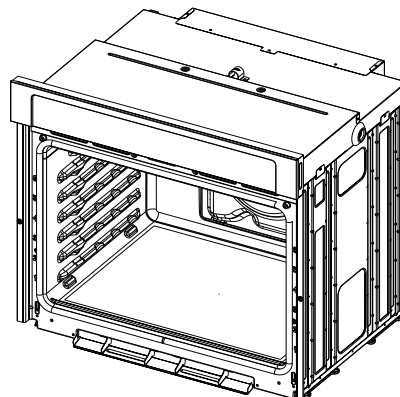


A. Cale d'espacement

B. Pied

C. Vis n° 8-18 x 3/8" (9,5 mm)

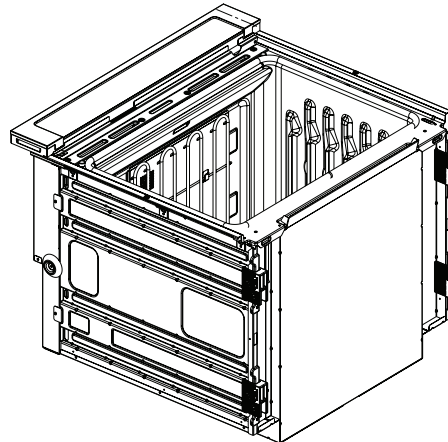
3. Enlever les pieds installés au niveau avant gauche, arrière droit et arrière gauche du four en suivant la même méthode.
4. À l'aide d'au moins deux personnes, placer le four en position verticale.



5. Passer à la section "Raccordement électrique".

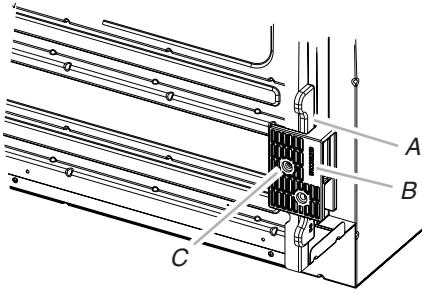
La hauteur de la cavité d'encastrement est comprise entre $28\frac{11}{16}$ " (72,8 cm) and $29\frac{7}{16}$ " (74,8 cm)

1. À l'aide d'au moins 2 personnes, placer le four sur sa partie arrière, sur une surface couverte.



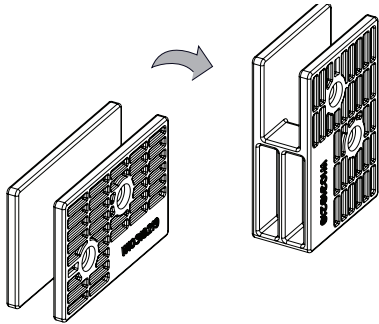
- Retirer le pied de la cale d'espacement avant droite en ôtant la vis n° 8-18 x 3/8" (9,5 mm).

REMARQUE: Ne pas retirer la cale d'espacement.

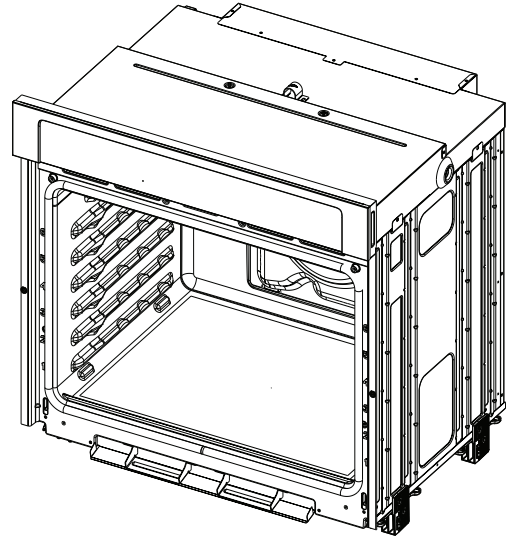


A. Cale d'espacement
B. Pied
C. Vis n° 8-18 x 3/8" (9,5 mm)

- Faire pivoter le pied à 90° de façon à ce que le côté court du pied soit orienté vers le sommet du four.



- Réinstaller le pied de la cale d'espacement à l'aide de la vis n° 8-18 x 3/8" (9,5 mm) précédemment retirée.
- Enlever, faire pivoter et réinstaller les pieds installés au niveau avant gauche, arrière droit et arrière gauche du four en suivant la même méthode.
- À l'aide d'au moins deux personnes, placer le four en position verticale.



- Passer à la section "Raccordement électrique".

Raccordement électrique

Fours simples

⚠ AVERTISSEMENT



Risque de choc électrique

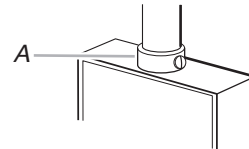
Déconnecter la source de courant électrique avant d'entreprendre le travail.

Utiliser du fil en cuivre de calibre 12.

Relier le four à la terre.

Le non-respect de ces instructions peut causer un décès, un incendie ou un choc électrique.

- Installer un connecteur de conduit (homologation UL ou CSA) sur le boîtier de connexion.



A. Connecteur de conduit (homologation UL ou CSA)

- Acheminer le conduit de câble flexible depuis le four jusqu'au boîtier de connexion – utiliser un connecteur de conduit (homologation UL ou CSA).
- Serrer les vis sur le connecteur de conduit.
- Voir "Tableau des options de raccordement électrique" pour terminer l'installation correspondant à votre type de raccordement électrique.

Le câblage d'alimentation de ce four comporte un conducteur neutre (blanc) et un conducteur vert (ou nu) de liaison à la terre connecté à la caisse; ces deux conducteurs sont torsadés.

- Déconnecter la source de courant électrique.
- Faire passer le conduit de câble flexible depuis le four à travers l'ouverture dans le placard.
- Le cas échéant, enlever le couvercle du boîtier de connexion.

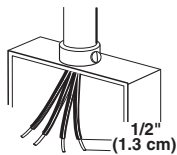
Tableau des options de raccordement électrique

Câblage de la maison:

Voir la section:

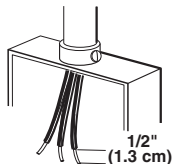
4 conducteurs

Câble à 4 conducteurs depuis le point de distribution du domicile



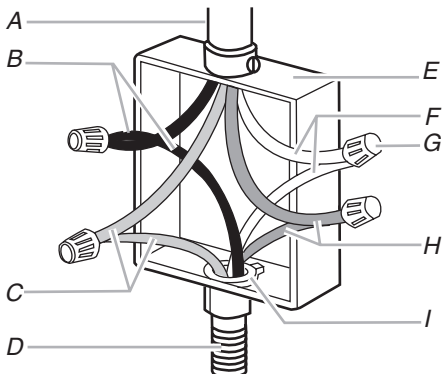
3 conducteurs

Câble à 3 conducteurs depuis le point de distribution du domicile



Câble à 4 conducteurs depuis le point de distribution du domicile

IMPORTANT: Utiliser le câble à 4 conducteurs provenant du point de distribution du domicile aux États-Unis lorsque les codes locaux ne permettent pas la mise à la terre par l'intermédiaire du conducteur neutre, en cas de nouvelle installation avec alimentation par un circuit secondaire (1996 NEC), dans les résidences mobiles et les véhicules récréatifs, dans les nouvelles constructions, et au Canada.



A. Câble depuis le point de distribution du domicile

F. Conducteurs blancs

B. Conducteurs noirs

G. Connecteurs de fils (homologation UL)

C. Conducteurs rouges

H. Conducteurs verts (ou nus) de liaison à la terre

D. Câble flexible à 4 conducteurs depuis le four

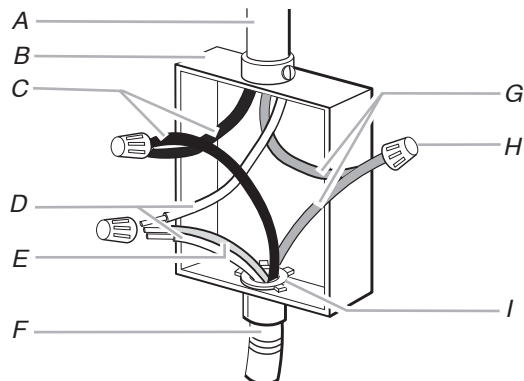
I. Connecteur de conduit (homologation UL ou CSA)

E. Boîtier de connexion

1. Connecter ensemble les 2 conducteurs noirs (B) avec un connecteur de fils (homologation UL).
2. Connecter ensemble les 2 conducteurs rouges (C) avec un connecteur de fils (homologation UL).
3. Détorsader le conducteur blanc du conducteur vert (ou nu) de liaison à la terre provenant du four.
4. Connecter ensemble les 2 conducteurs blancs (F) avec un connecteur de fils (homologation UL).
5. Connecter le conducteur vert (ou nu) de liaison à la terre (H) du câble du four au conducteur vert (ou nu) de liaison à la terre dans le boîtier de connexion – utiliser un connecteur de fils (homologation UL).
6. Installer le couvercle du boîtier de connexion.

Câble à 3 conducteurs depuis le point de distribution du domicile – É.-U. seulement

IMPORTANT: Utiliser le câble à 3 conducteurs depuis le point de distribution du domicile lorsque les codes locaux autorisent un tel raccordement.



A. Câble depuis le point de distribution du domicile

F. Câble flexible à 4 conducteurs depuis le four

B. Boîtier de connexion

G. Conducteurs rouges

C. Conducteurs noirs

H. Connecteurs de fils (homologation UL)

D. Conducteurs blancs

E. Conducteur vert (ou nu) de liaison à la terre (depuis le four)

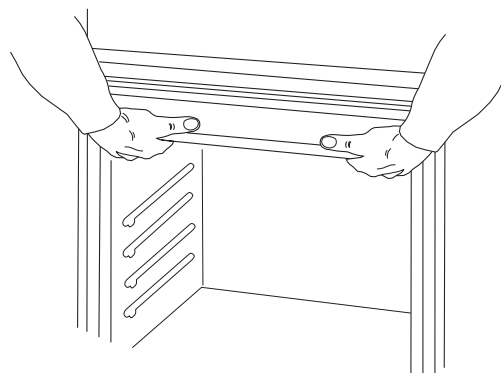
I. Connecteur de conduit (homologation UL ou CSA)

1. Connecter ensemble les 2 conducteurs noirs (C) avec un connecteur de fils (homologation UL).
2. Connecter les 2 conducteurs blancs (D) et le conducteur vert (ou nu) de liaison à la terre (du câble du four) avec un connecteur de fils (homologation UL).
3. Connecter ensemble les 2 conducteurs rouges (G) avec un connecteur de fils (homologation UL).
4. Installer le couvercle du boîtier de connexion.

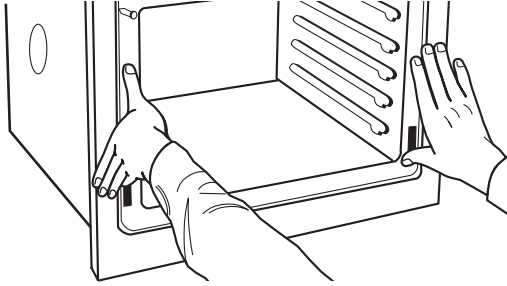
Installation du four

1. À l'aide d'au moins 2 personnes, soulever et introduire partiellement le four dans l'ouverture d'encastrement du placard. Utiliser l'ouverture du four comme zone de prise.

REMARQUE: Pour introduire le four dans le placard, pousser contre la zone du joint du four située sur le châssis avant. Ne pas pousser contre les bords externes.



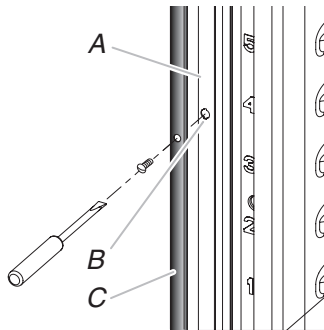
2. Pousser contre la zone du joint du châssis avant pour introduire le four dans le placard, jusqu'à ce que la surface arrière du châssis avant soit au contact de la paroi avant du placard.



3. Pousser complètement le four dans le placard et le centrer dans la cavité d'encastrement du placard.

4. Retirer le ruban de la garniture noire avant.

- Fixer solidement le four au placard à l'aide des vis n° 8-14 x 1" (2,5 cm) fournies.
- Insérer les vis dans les trous de la garniture noire en les alignant avec les trous du châssis du four et de l'espaceur d'installation déjà en place. Ne pas serrer excessivement les vis.

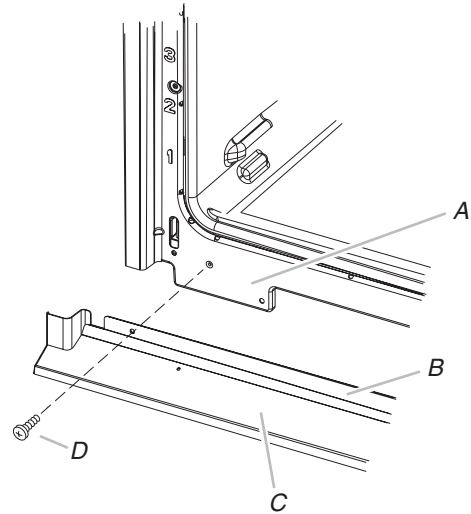


A. Châssis du four
B. Trou du châssis du four
C. Garniture noire

5. L'évent inférieur et la garniture de l'évent inférieur (nécessaires lorsque le four est installé avec les pieds en position haute) sont livrés dans l'emballage en mousse situé sur le dessus du four.

Pour installer l'évent inférieur uniquement, voir les instructions suivantes. Pour installer l'évent inférieur et la garniture de l'évent inférieur (pour les installations dont les pieds sont en position haute), voir les instructions de l'étape 6.

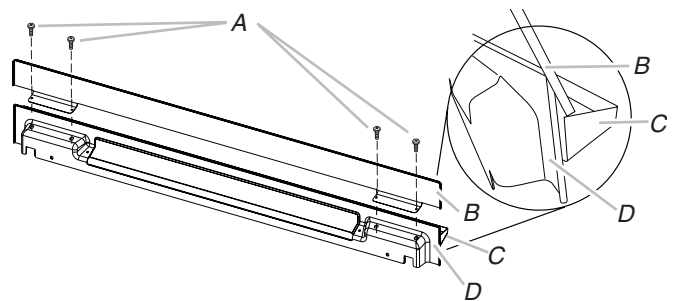
- Aligner le support de l'évent (B) avec le châssis du four (A) comme illustré.
- Avec une vis n° 8-18 x 3/8" (9,5 mm) (D) pour chaque côté du support de l'évent (B), fixer solidement l'évent au four.



A. Châssis du four
B. Support de l'évent
C. Évent du four
D. Vis n° 8-18 x 3/8" (9,5 mm)

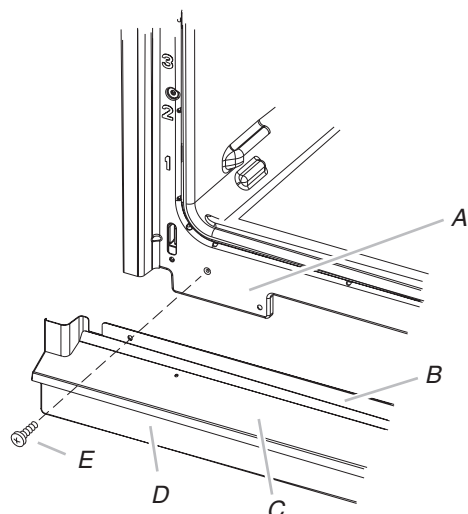
6. Pour les modèles dont les pieds sont installés en position haute, la garniture de l'évent inférieur doit également être installée. Pour l'installation, procéder selon les instructions suivantes.

- Faire fléchir la pièce d'évent supérieure (C) en l'éloignant de la pièce d'évent inférieure (D) pour faire glisser la garniture de l'évent inférieur (B) entre elles. Une certaine force sera peut-être nécessaire pour faire fléchir la garniture d'évent supérieure (C) en l'éloignant de la garniture d'évent inférieure (D). Une certaine force sera peut-être également nécessaire pour faire fléchir la garniture d'évent inférieure (B) et la glisser en place. S'assurer que les trous de vis sont correctement alignés entre les deux pièces. Voir l'illustration suivante.
- Installer la garniture de l'évent inférieur (B) sur la pièce d'évent inférieure (D) à l'aide de deux vis n° 8-18 x 1/4" (6,4 mm) de chaque côté.



A. Vis n° 8-18 x 1/4" (6,4 mm)
B. Garniture de l'évent inférieur
C. Pièce d'évent supérieure
D. Pièce d'évent inférieure

- Aligner la languette de conduit d'évacuation (B) avec le châssis du four (A) comme illustré.
- Avec une vis n° 8-18 x 3/8" (9,5 mm) (E) pour chaque côté du support de l'évent (B), fixer solidement l'évent au four.



A. Châssis du four
 B. Support de l'évent
 C. Évent du four
 D. Garniture de l'évent inférieur
 E. Vis n° 8-18 x 3/8" (9,5 mm)

7. Réinstaller les grilles du four.
8. Réinstaller la porte du four en insérant les extrémités des charnières dans les ouvertures destinées à les recevoir sur le châssis du four.
9. Enfoncer les charnières aussi loin qu'elles peuvent aller et ouvrir la porte du four. On doit percevoir le mouvement de la porte du four lorsqu'elle se met en place.
10. Faire pivoter les deux charnières jusqu'à la position de verrouillage.
11. Vérifier que la porte s'ouvre et se ferme facilement. Si tel n'est pas le cas, répéter le processus de dépose et d'installation de la porte. Voir la section "Préparation du four encastré".
12. Reconnecter la source de courant électrique.
13. Le tableau d'affichage s'allume brièvement et "12:00" devrait apparaître sur l'affichage.
14. Si le tableau d'affichage ne s'allume pas, consulter la section "Assistance ou service" du guide d'utilisation et d'entretien ou contacter le marchand auprès duquel le four a été acheté.

Achever l'installation

1. Vérifier que toutes les pièces sont maintenant installées. S'il reste une pièce, passer en revue les différentes étapes pour découvrir laquelle aurait été oubliée.
2. Vérifier la présence de tous les outils.
3. Jeter/recycler tous les matériaux d'emballage.
4. Pour l'utilisation et le nettoyage du four, lire le Guide d'utilisation et d'entretien.

Vérification du fonctionnement pour un four simple

1. Mettre l'appareil sous tension.
2. À la première utilisation, régler l'horloge et toute autre préférence réglable. Consulter le Guide d'utilisation et d'entretien pour plus de renseignements.
3. Pour les fours simples, appuyer sur BROIL (cuisson au grill).
4. Régler la température.
5. Appuyer sur START/▷ (mise en marche).

Si le four ne fonctionne(nt) pas, contrôler ce qui suit:

- Les fusibles du domicile sont intacts et serrés; le disjoncteur n'est pas déclenché.
- La prise de courant est correctement alimentée.
- Voir la section "Dépannage" dans le Guide d'utilisation et d'entretien.

6. Après que le four a fonctionné pendant 5 minutes, vérifier qu'il y a émission de chaleur.

Si aucune chaleur n'est ressentie ou si un message d'erreur apparaît sur l'affichage, éteindre le four et contacter un technicien qualifié.

7. Appuyer sur OFF/CANCEL/X (annulation).

Si vous avez besoin d'assistance ou de service :

Consulter la section "Assistance ou service" du Guide d'utilisation et d'entretien ou contacter le marchand auprès duquel le four encastré a été acheté.