

# WD30W

## 30-INCH WARMING DRAWER

CUSTOM PANEL READY



### FEATURES & BENEFITS

- Our warming drawer is the perfect combination of uncompromising performance, unique convenience features and elegant design
- ★ - SoftClose® feature prevents slamming and ensures ultra smooth closing of the warming drawer. These rails feature a telescoping ball-bearing design for smooth opening and closing that supports up to a 40 lbs. load.
- Warming mode with three convenient temperature settings
- Drawer installs vertically under Thermador speed, steam or wall oven

### GENERAL PROPERTIES

Power Levels	Low, Med, High, Proof
Dough Proofing Mode	Yes
Temperature Settings	100° – 190° F
Timer	5 min. – 5 hours
Automatic Shut Off	After 1 hour
Hinges	SoftClose®
Control Type	Illuminated Touch Control

### CAPACITY

Cavity Capacity	2.2 cu. ft.
-----------------	-------------

### TECHNICAL DETAILS

Watts	450 W
Circuit Breaker	15 A
Volts	120 V
Frequency	60 Hz
Power Cord Length	84"
Plug Type	120V 3 Prong

### DIMENSIONS & WEIGHT

Overall Appliance Dimensions (HxWxD)*	9 7/16" x 29 3/4" x 24 1/2" (with 3/4" Panel)
Required Cutout Size (HxWxD) – Standard	9 1/4" x 28 1/2" x 23 1/2"
Required Cutout Size (HxWxD) – Flush*	9 9/16" x 30" x 24 1/2"
Net Weight	55 lbs

### WARRANTY

Limited Warranty Parts and Labor	2 Year
----------------------------------	--------

\*For WD30W, the installed dimensions may differ. This is based on 3/4" (19 mm) thick custom panel. Customer to provide custom panel and drawer handle.

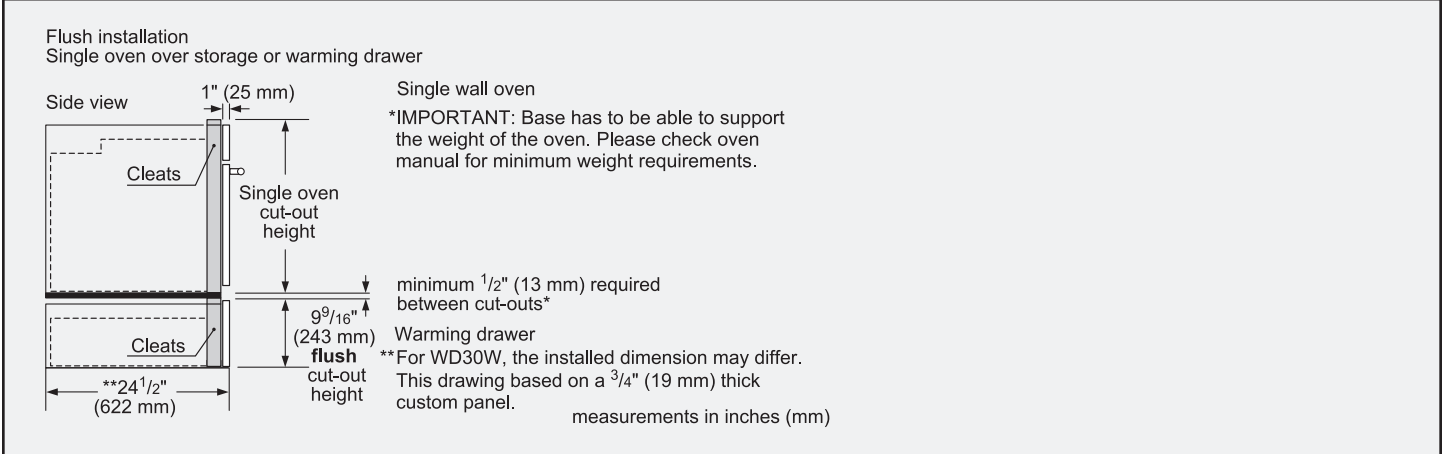
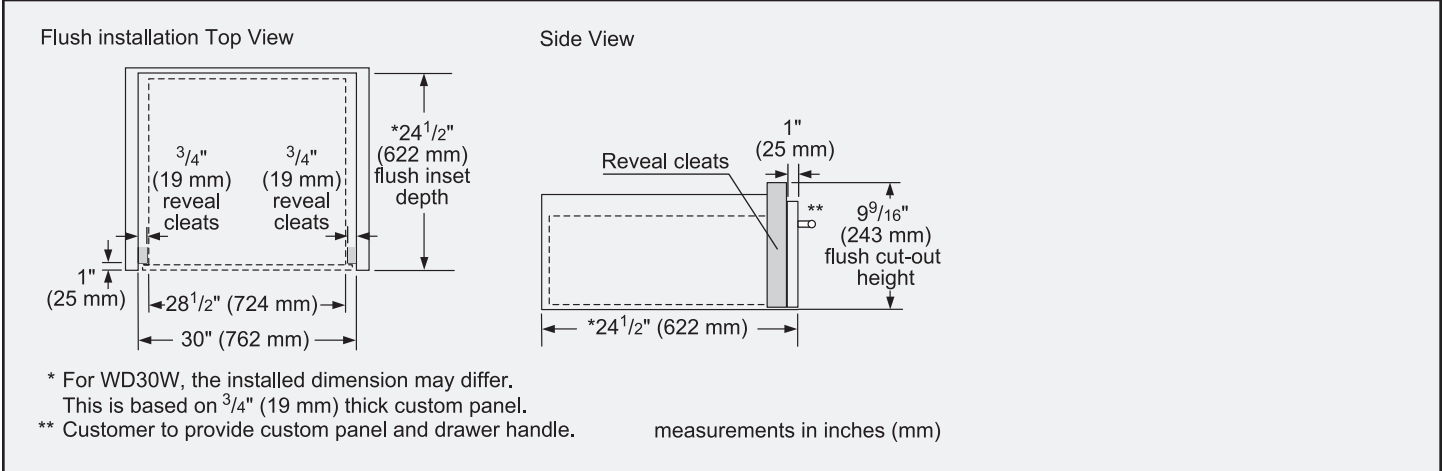
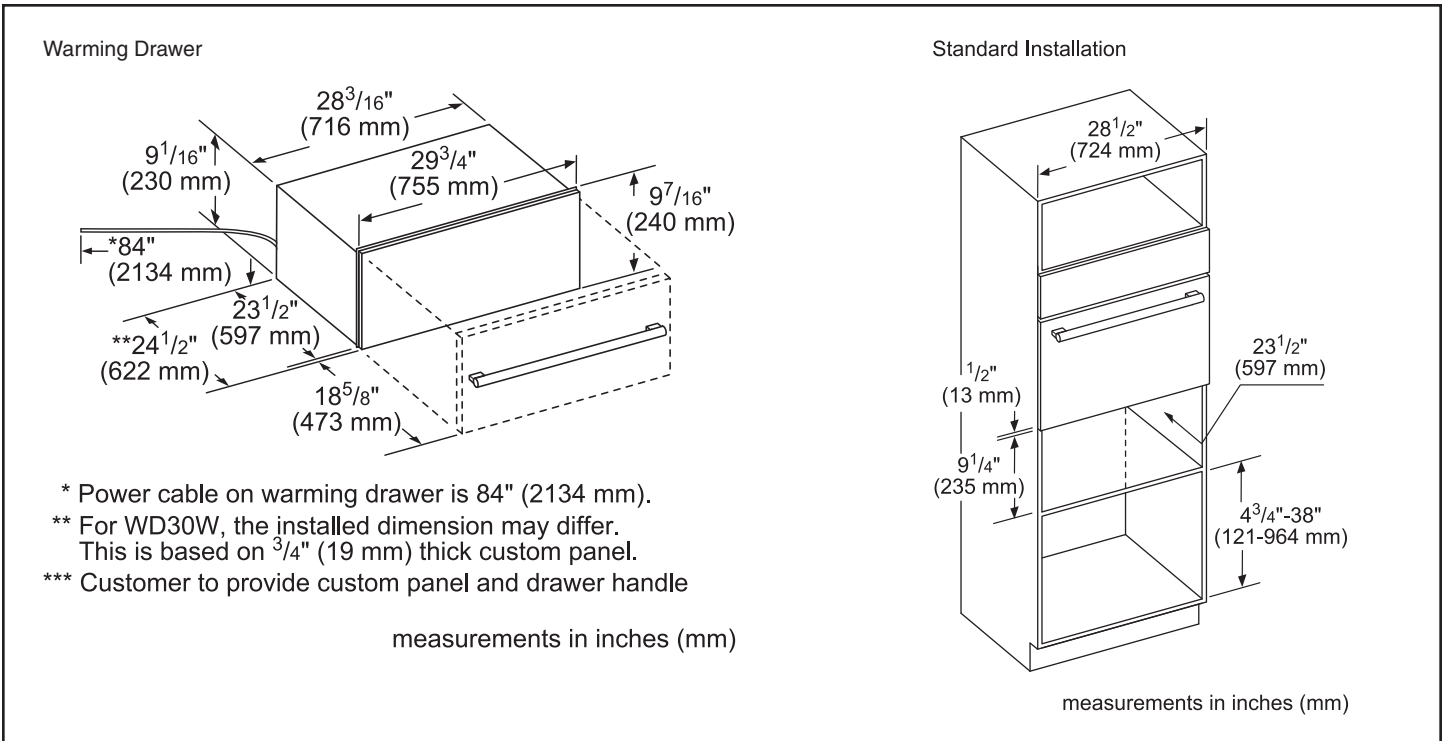
# WD30W

## 30-INCH WARMING DRAWER

CUSTOM PANEL READY



### 30-INCH TRADITIONAL WARMING DRAWER AND CUTOUT DIMENSIONS



# WD30W

## 30-INCH WARMING DRAWER

CUSTOM PANEL READY



### INSTALLATION DETAILS

Standard installation  
Single oven, double oven or combo oven over warming or storage drawer

\* Wall oven junction box may be located above or to the right or left of the unit within reach of the power cable.

\*\* Electrical hook-up may be located below (depending on space) or next to the drawer within reach of the power cable.

Minimum  $\frac{3}{4}$ " (18 mm) required between cut-outs.

measurements in inches (mm)

Flush installation  
Double or combo oven over storage or warming drawer

Side view

\*IMPORTANT: Base has to be able to support the weight of the oven. Please check oven manual for minimum weight requirements.

minimum  $\frac{1}{2}$ " (13 mm) required between cut-out\*  
Warming drawer

\*\* For WD30W, the installed dimension may differ. This is based on  $\frac{3}{4}$ " (19 mm) thick custom panel.

measurements in inches (mm)

These warranties give you specific legal rights and you may have other rights that vary from state to state. Full warranty and limited warranty from date of installation. For complete warranty details, refer to your Use & Care manual, or ask your dealer.

Specifications are for planning purposes only. Refer to installation instructions and consult your countertop supplier prior to making counter opening. Consult with a heating and ventilation engineer for your specific ventilation requirements. For the most detailed information, refer to installation instructions accompanying product or write to Thermador indicating the model number. Specifications are correct at time of printing. Thermador reserves the right to change product specifications or design without notice. Some models are certified for use in Canada. Thermador is not responsible for products that are transported from the U.S. for use in Canada.