
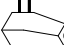
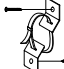








**ITEM NO : 384 - BR61**

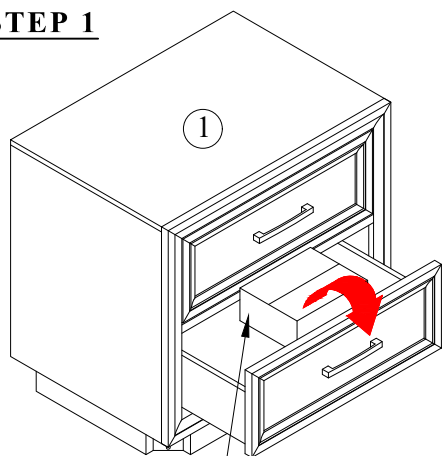
**DESCRIPTION : 2 DRAWER NIGHT STAND**

Thank you for purchasing this quality product. Be sure to check all packing material carefully for small parts which may have come loose inside the carton during shipment. Identify and count all parts and compare with the parts list below :

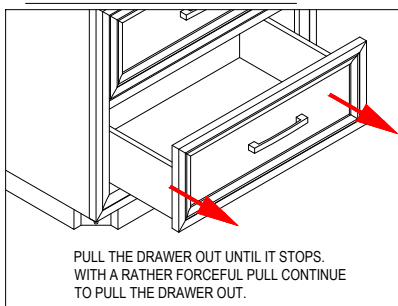
PART LIST		
ITEM	DESCRIPTION	QTY
1	2 DRAWER NIGHT STAND 	1PC
2	BUN FOOT 	4PCS
3	TIPPING RESTRAINT 	1set

4 ASSEMBLY HARDWARE PACK		
ITEM	DESCRIPTION	QTY
A	HEX NUT M8 	8pcs
B	SPRING WASHER 5/16 x 19mm 	8pcs
C	FLAT WASHER 5/16 x 22mm 	8pcs
D	WRENCH 	1pc

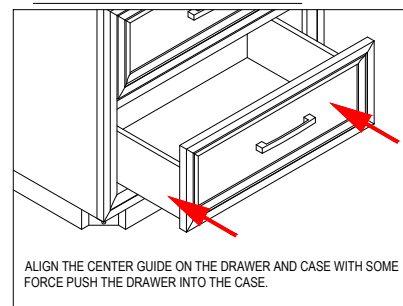
**STEP 1**



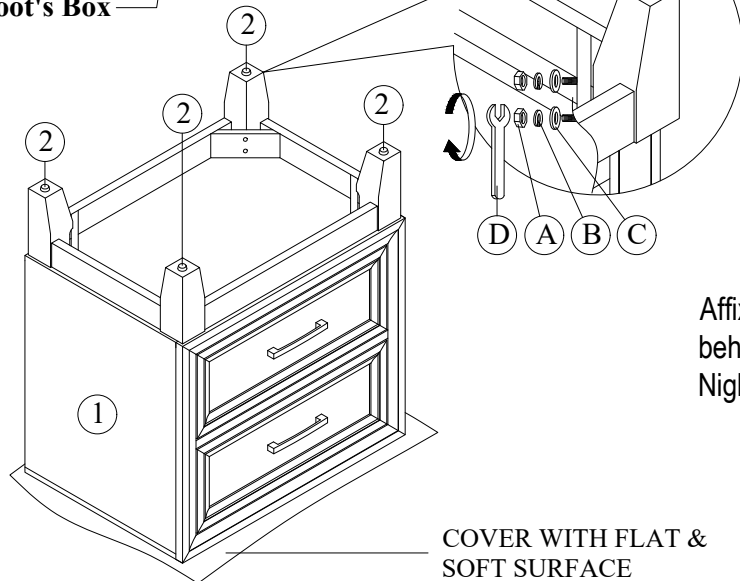
**TO REMOVE THE DRAWER**



**TO INSTALL THE DRAWER**



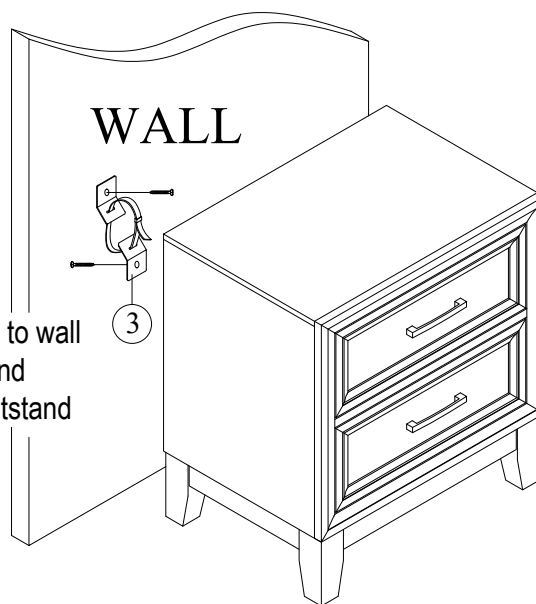
**Bun Foot's Box**



COVER WITH FLAT & SOFT SURFACE

**WALL**

Affix to wall behind Nightstand



**ASSEMBLY TIPS :**

1. Remove hardware from box and sort by size.
2. Please check to see that all hardware and parts are present prior start of assembly.
3. Please follow attached instructions in the same sequence as numbered to assure fast and easy assembly.



**WARNING !**

1. Don't attempt to repair or modify parts that the broken or defective. Please contact the store immediately.
2. This product is for home use only and not intended for commercial establishments.