

36" Industrial Style Gas Range

800 Series – Stainless Steel HGS8655UC



BOSCH
Invented for life



HGS8655UC
Stainless Steel

Also available in:

Black HGS8645UC
Stainless Steel

First 36" Bosch range with six burners offering more flexibility in the way you cook.

Features & Benefits

Powerful 18,000 BTU double ring burner speeds cooking time.

Dishwasher safe grates for easy cleaning.

A full extension telescopic rack rail offers easy access to the oven cavity.

Dampened hinges softly and quietly guide the door shut.

Heavy-duty metal knobs for a premium look and feel.

General Properties

| | |
|----------------|------------------------------|
| Cooking modes | Bake, Convection Bake, Broil |
| Cleaning type | Catalytic Clean |
| Type of grate | Cast iron |
| Knob material | Metal |
| Interior light | 1 |
| Kitchen timer | Yes |
| Drawer type | Not available |
| Sealed burners | Yes |

Oven Performance

| | |
|-------------------------------|---------------------|
| Bake / broil burner power BTU | 17,000 / 14,000 BTU |
|-------------------------------|---------------------|

Burner Performance

| | |
|--|-----------------|
| Total cooktop burners | 6 |
| Total cooktop (NG / LP) BTU | 63,000 / 63,000 |
| Power of front left burner (NG / LP) BTU | 18,000 / 18,000 |
| Power of back left burner (NG / LP) BTU | 5,000 / 5,000 |
| Power of center burner (NG / LP) BTU | N/A |
| Power of back center burner (NG / LP) BTU | 10,000 / 10,000 |
| Power of front center burner (NG / LP) BTU | 10,000 / 10,000 |
| Power of back right burner (NG / LP) BTU | 10,000 / 10,000 |
| Power of front right burner (NG / LP) BTU | 10,000 / 10,000 |

Technical Details

| | |
|----------------------|---|
| Circuit breaker (A) | 15 A |
| Volts (V) | 120 V |
| Frequency (Hz) | 60 Hz |
| Plug type | US 3-prong |
| Cord length (in.) | 59" with plug |
| Energy source | Gas |
| Gas type | Natural gas 14.9 mbar (USA) [7" WC] |
| Alternative gas type | LP 27.4 mbar (USA)[11" WC] |

Dimensions & Weight

| | |
|---|--|
| Overall appliance dimensions (HxWxD)(in.) | 36" x 35 15/16" x 24 15/16" (26 1/2" with bull nose) |
| Required cutout size (HxWxD)(in.) | 36" x 36" x 25" |
| Adjustable range height (in.) | 35 19/32" Min. 36 39/64" Max. |
| Oven cavity size (cu. ft.) | 3.4 |
| Overall oven interior dimensions (HxWxD)(in.) | 15" x 28 7/16" x 17 11/16" |
| Usable oven interior dimensions (HxWxD)(in.) | 15" x 28 11/32" x 17 11/16" |
| Net weight (lbs) | 207 lbs |

Accessories—Included

Use and care manual, installation guide, LP conversion kit, 1 standard rack, 1 telescopic rack



Accessories: To purchase Bosch accessories, cleaners & parts please visit www.bosch-home.com/us/store or call 1-800-944-2904 (Mon to Fri 5 am to 6 pm PST, Sat 6 am to 3 pm PST).

Notes: All height, width and depth dimensions are shown in inches. BSH reserves the absolute and unrestricted right to change product materials and specifications, at any time, without notice. Consult the product's installation instructions for final dimensional data and other details prior to making cutout.

Warranties: Please see Use & Care manual or Bosch website for statement of limited warranty.

For more information on our entire line of products, go to www.bosch-home.com/us or call 1-800-944-2904

© BSH Home Appliances Corporation. All rights reserved. Bosch is a registered trademark of Robert Bosch GmbH.

36" Industrial Style Gas Range

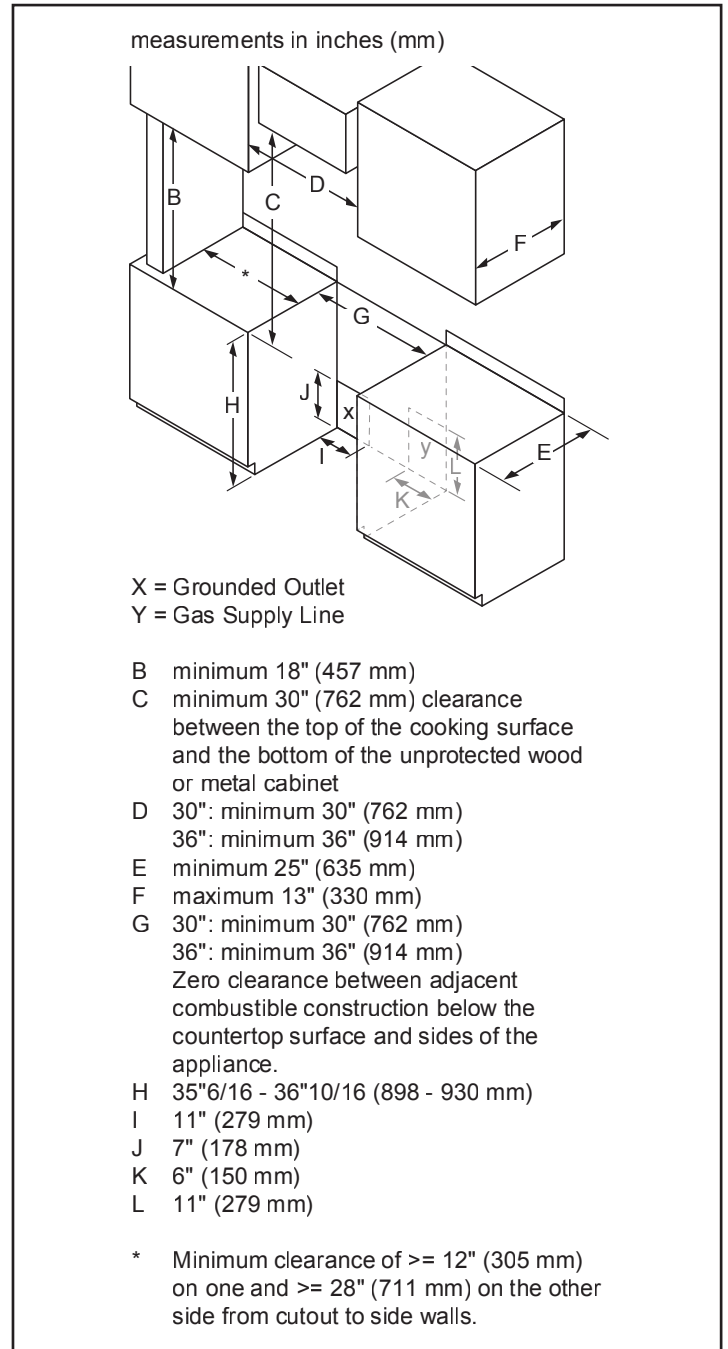
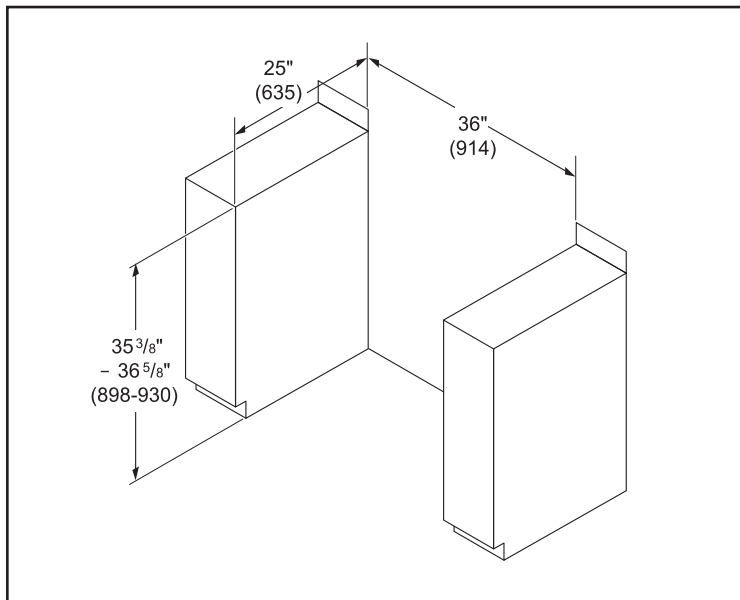
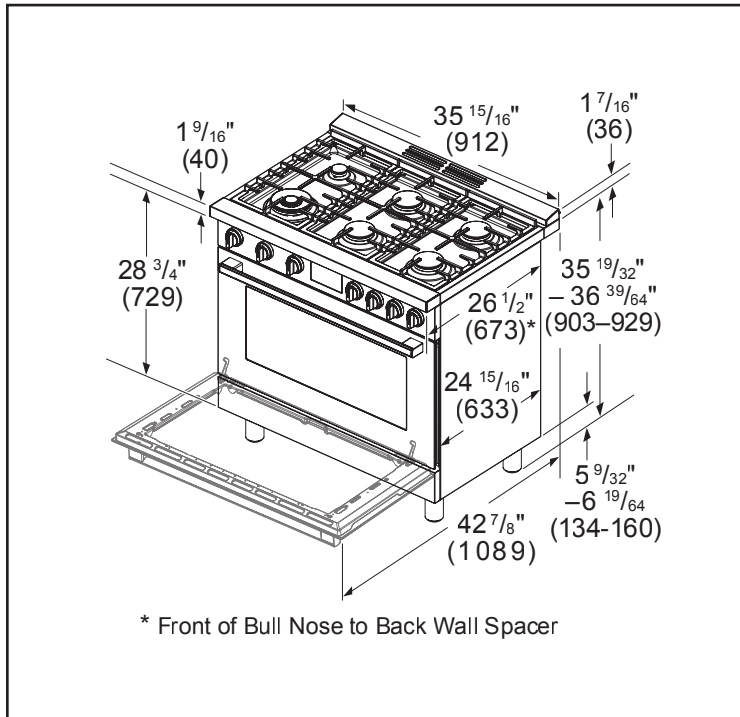
800 Series – Stainless Steel HGS8655UC



BOSCH

Invented for life

Installation Details



Accessories: To purchase Bosch accessories, cleaners & parts please visit www.bosch-home.com/us/store or call 1-800-944-2904 (Mon to Fri 5 am to 6 pm PST, Sat 6 am to 3 pm PST).

Notes: All height, width and depth dimensions are shown in inches. BSH reserves the absolute and unrestricted right to change product materials and specifications, at any time, without notice. Consult the product's installation instructions for final dimensional data and other details prior to making cutout.

Warranties: Please see Use & Care manual or Bosch website for statement of limited warranty.

For more information on our entire line of products, go to www.bosch-home.com/us or call 1-800-944-2904

© BSH Home Appliances Corporation. All rights reserved. Bosch is a registered trademark of Robert Bosch GmbH.