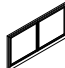
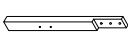
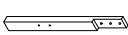

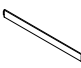

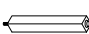












ITEM NO : 384 - BR15HF / 90

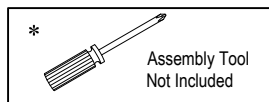
DESCRIPTION : KING PANEL BED

Thank you for purchasing this quality product. Be sure to check all packing material carefully for small parts which may have come loose inside the carton during shipment. Identify and count all parts and compare with the parts list below :

COMPONENT LIST		
ITEM	DESCRIPTION	QTY
1	HEADBOARD PANEL 	1PC
2	LEFT HEADBOARD LEG 	1PC
3	RIGHT HEADBOARD LEG 	1PC
4	FOOTBOARD 	1PC
5	SIDE RAIL 	2PCS
6	WOODEN SLATS 	4PCS
7	WOODEN SUPPORTS 	8PCS

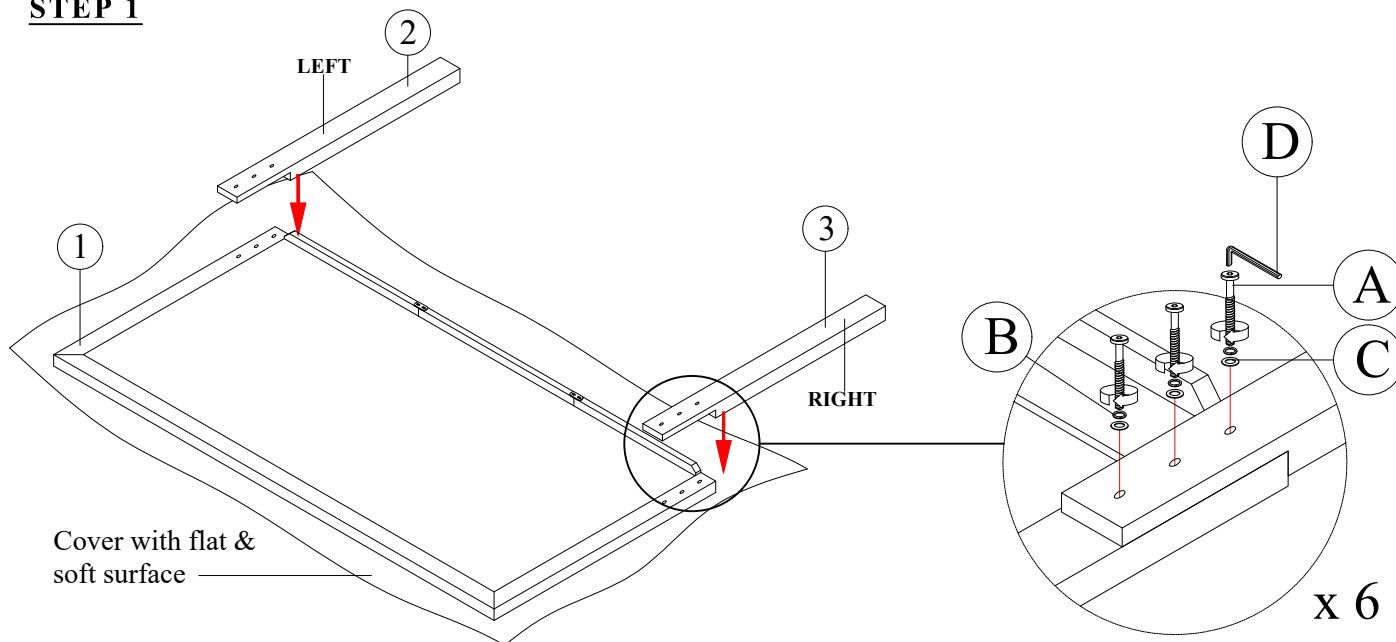
8		
ASSEMBLY HARDWARE PACK FOR HEADBOARD		
ITEM	DESCRIPTION	QTY
A	JCBB SCREW M8 x 40mm 	6pcs
B	SPRING WASHER 5/16 x 19mm 	6pcs
C	FLAT WASHER 5/16 x 22mm 	6pcs
D	ALLEN KEY M5 	1pc

9		
ASSEMBLY HARDWARE PACK FOR SIDE RAIL		
ITEM	DESCRIPTION	QTY
E	JCBB SCREW M8 x 25mm 	8pcs
F	SPRING WASHER 5/16 x 19mm 	8pcs
G	FLAT WASHER 5/16 x 22mm 	8pcs
H	CB SCREW M4 x 32mm 	8pcs



* All Hardware, pack in Headboard

STEP 1



Cover with flat & soft surface

ASSEMBLY TIPS :

1. Remove hardware from box and sort by size.
2. Please check to see that all hardware and parts are present prior start of assembly.
3. Please follow attached instructions in the same sequence as numbered to assure fast and easy assembly.



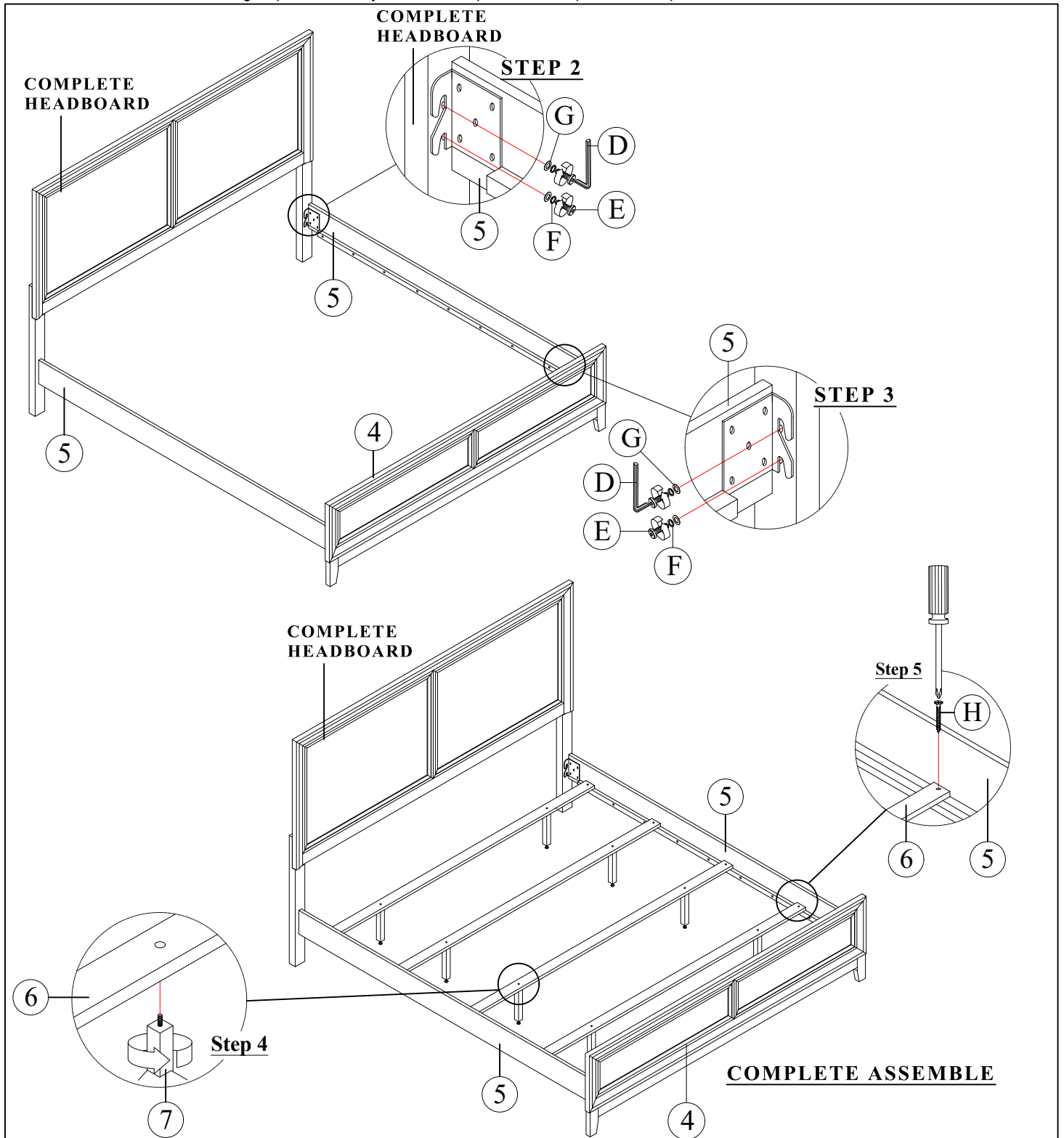
1. Don't attempt to repair or modify parts that the broken or defective. Please contact the store immediately.
2. This product is for home use only and not intended for commercial establishments.



ITEM NO : 384 - BR15HF / 90

DESCRIPTION : KING PANEL BED

Thank you for purchasing this quality product. Be sure to check all packing material carefully for small parts which may have come loose inside the carton during shipment. Identify and count all parts and compare with the parts list below :



ASSEMBLY TIPS :

1. Remove hardware from box and sort by size.
2. Please check to see that all hardware and parts are present prior start of assembly.
3. Please follow attached instructions in the same sequence as numbered to assure fast and easy assembly.



WARNING !

1. Don't attempt to repair or modify parts that the broken or defective. Please contact the store immediately.
2. This product is for home use only and not intended for commercial establishments.