



ITEM NO : 384 - BR31

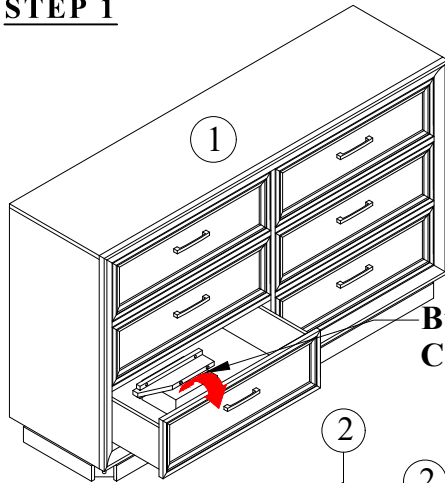
DESCRIPTION : 6 DRAWER DRESSER

Thank you for purchasing this quality product. Be sure to check all packing material carefully for small parts which may have come loose inside the carton during shipment. Identify and count all parts and compare with the parts list below :

PART LIST			
ITEM	DESCRIPTION		QTY
1	6 DRAWER DRESSER		1PC
2	BUN FOOT		4PCS
3	CENTER SUPPORT		1PC
4	TIPPING RESTRAINT		1set

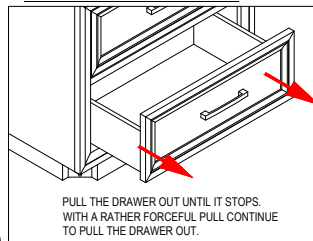
5			
ASSEMBLY HARDWARE PACK			
ITEM	DESCRIPTION		QTY
A	HEX NUT M8		8pcs
B	SPRING WASHER 5/16 x 19mm		8pcs
C	FLAT WASHER 5/16 x 22mm		8pcs
D	JCBC SCREW M6 x 35mm		4pcs
E	SPRING WASHER M6 x 13mm		4pcs
F	FLAT WASHER M6 x 19mm		4pcs
G	WRENCH		1pc
H	ALLEN KEY M4		1pc

STEP 1

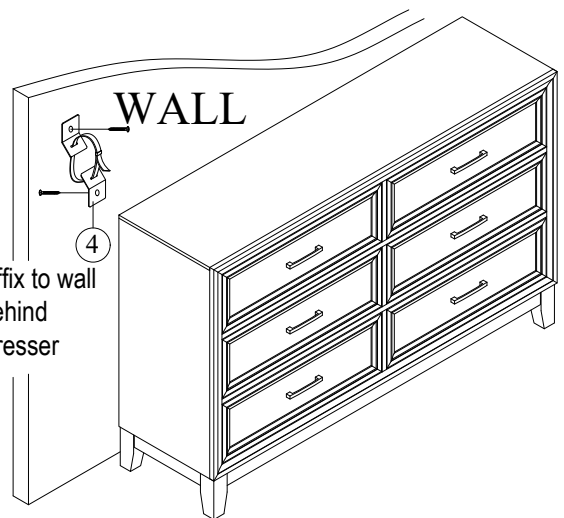
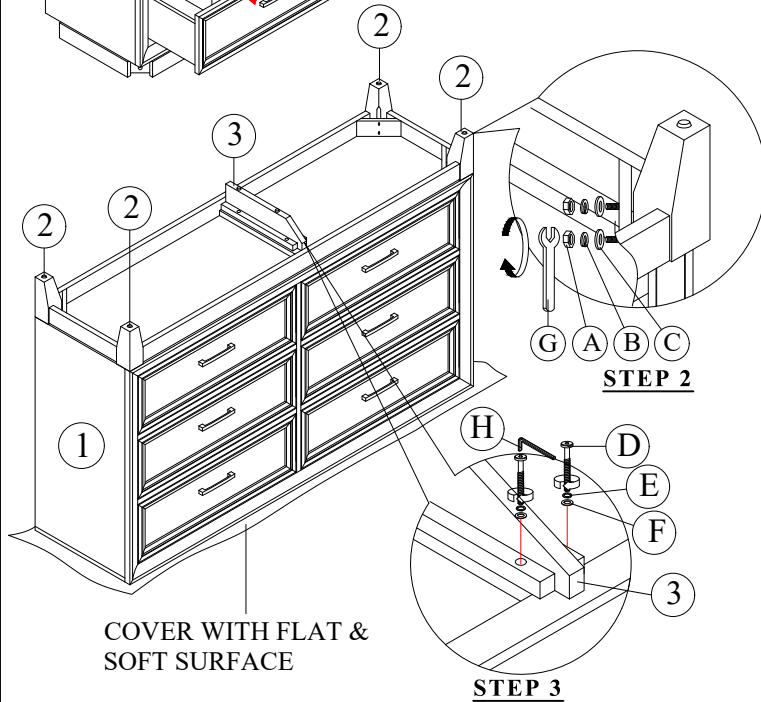
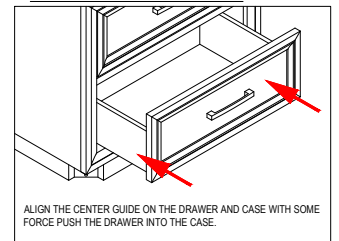


Bun Foot's Box & Center Support

TO REMOVE THE DRAWER



TO INSTALL THE DRAWER



ASSEMBLY TIPS :

1. Remove hardware from box and sort by size.
2. Please check to see that all hardware and parts are present prior start of assembly.
3. Please follow attached instructions in the same sequence as numbered to assure fast and easy assembly.



1. Don't attempt to repair or modify parts that the broken or defective. Please contact the store immediately.
2. This product is for home use only and not intended for commercial establishments.