

# 30" Over-the-Range Convection Microwave

800 Series – Black Stainless Steel HMV8044C



**HMV8044C**  
Black Stainless Steel

The OTR microwave's convection cooking capability allows it to be used as a second oven.

## Features & Benefits

Convection cooking delivers oven-like results.

Stainless steel cavity is durable and makes cleanup easier.

Large cooking interior gives you flexibility to cook various dishes.

A multi-speed vent efficiently removes steam, smoke, grease and odors.

Bosch black stainless steel helps guard against scratches and fingerprints.

## General Properties

Cavity material	Stainless steel
Max. microwave power (W)	1,000 W
Max. extraction rate (CFM)	385 CFM
Ducted	Yes
Ductless	Yes
Duct size	3 1/4" x 10"

## Capacity

Cavity capacity (cu. ft.)	1.8 cu. ft.
Turntable diameter (in.)	14 3/16"

## Technical Details

Watts (W)	1,450 W
Circuit breaker (A)	15 A
Volts (V)	120 V
Frequency (Hz)	60 Hz
Power cord length (in)	39"
Plug type	120V-3 prong

## Dimensions & Weight

Overall appliance dimensions (HxWxD) (in)	16 1/2" x 29 7/8" x 15 7/8"
Required cutout size (HxWxD) (in)	17 1/2" Min x 30" x 12" Min - 14" Max
Net weight (lbs)	54 lbs

## Accessories—Included

Included	Two level cooking rack
----------	------------------------



**Accessories:** To purchase Bosch accessories, cleaners & parts please call 1-800-944-2904 (Mon to Fri 5 am to 6 pm PST, Sat 6 am to 3 pm PST).

**Notes:** All height, width and depth dimensions are shown in inches. BSH reserves the absolute and unrestricted right to change product materials and specifications, at any time, without notice. Consult the product's installation instructions for final dimensional data and other details prior to making cutout.

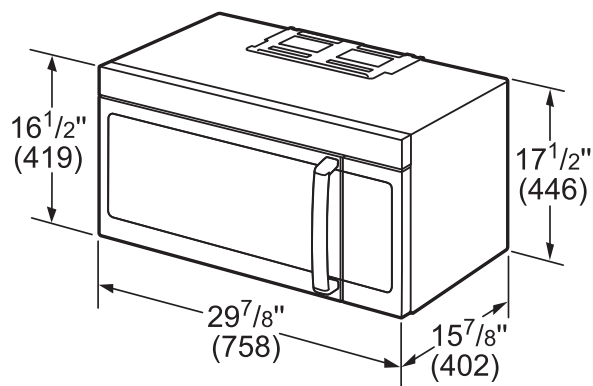
**Warranties:** Please see Use & Care manual or Bosch website for statement of limited warranty.

**For more information on our entire line of products, go to [www.bosch-home.ca](http://www.bosch-home.ca) or call 1-800-944-2904**

© BSH Home Appliances Corporation. All rights reserved. Bosch is a registered trademark of Robert Bosch GmbH.

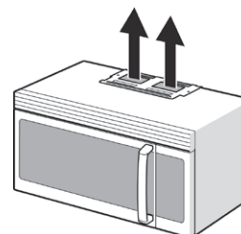
# 30" Over-the-Range Convection Microwave

800 Series – Black Stainless Steel HMV8044C

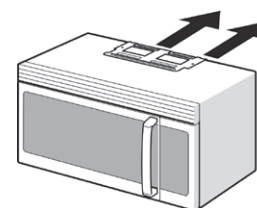


measurements in inches (mm)

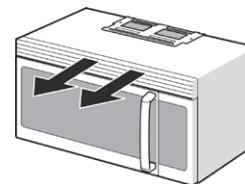
## Venting Options



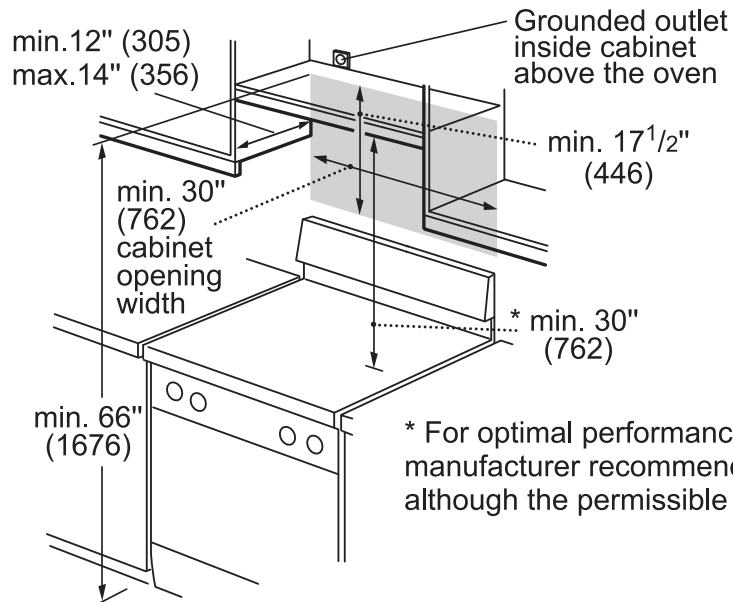
ROOF VENTING



WALL VENTING



ROOM VENTING



measurements in inches (mm)

**Accessories:** To purchase Bosch accessories, cleaners & parts please call 1-800-944-2904 (Mon to Fri 5 am to 6 pm PST, Sat 6 am to 3 pm PST).

**Notes:** All height, width and depth dimensions are shown in inches. BSH reserves the absolute and unrestricted right to change product materials and specifications, at any time, without notice. Consult the product's installation instructions for final dimensional data and other details prior to making cutout.

**Warranties:** Please see Use & Care manual or Bosch website for statement of limited warranty.

**For more information on our entire line of products, go to [www.bosch-home.ca](http://www.bosch-home.ca) or call 1-800-944-2904**

© BSH Home Appliances Corporation. All rights reserved. Bosch is a registered trademark of Robert Bosch GmbH.