

Microwave

Use and Care Manual

500 SERIES
HMV5053C



BOSCH
Invented for life



Table of Contents

Safety Definitions	3	Cooking Charts	19
▲ PRECAUTIONS TO AVOID POSSIBLE EXPOSURE TO EXCESSIVE MICROWAVE ENERGY	3	Cooking meat in your microwave	19
IMPORTANT SAFETY INSTRUCTIONS	4	Cooking poultry in your microwave	20
GROUNDING INSTRUCTIONS	4	Cooking eggs in your microwave	20
TV / Radio Interference	5	Cooking vegetables in your microwave	20
Intended Use	5	Cooking seafood in your microwave	20
Child Safety	5	Cleaning and Maintenance	21
Cleaning Safety	5	Cleaning	21
Cooking Safety	5	Maintenance	22
In Case of Fire	6	Troubleshooting	23
Liquids	6	Bosch® Support	24
Cooking Items	6	Before Calling Service	24
Cooking Utensils	7	Data Plate	24
Glass Tray / Turntable Ring	7	Service	24
Exhaust Mode Operation	7	Parts and Accessories	24
Thermometers	7	STATEMENT OF LIMITED PRODUCT WARRANTY ...	24
Pacemakers	7	What this Warranty Covers & Who it Applies to	24
State of California Proposition 65 Warnings	8	How Long the Warranty Lasts	24
Fan Motor Operation	8	Repair/Replace as Your Exclusive Remedy	25
Room Venting with Carbon Filter	8	Out of Warranty Product	25
Causes of damage	9	Warranty Exclusions	25
Protecting the environment	9		
Getting started	10		
Parts	10		
Control panel	10		
Accessories	11		
Before using the appliance for the first time	12		
Cleaning accessories	12		
Applying the program label	12		
Operation	13		
Setting the clock	13		
Setting the Kitchen Timer	13		
Operating the Ventilation Fan	13		
Turning the Surface Light on/off	13		
Turning the turntable on / off	13		
Operating the microwave	13		
Adding cook time (+30 Seconds)	14		
Auto Defrost	15		
Sensor Reheat	16		
Sensor Cook	16		
Panel Lock	17		
Settings	17		
Convenience Operation	18		
Popcorn	18		
Beverage	18		
Keep Warm	18		
More Modes	19		

Additional information on products, accessories, replacement parts and services can be found at www.bosch-home.com and in the online shop www.bosch-home.com/us/store

This Bosch Appliance is made by
BSH Home Appliances Corporation
1901 Main Street, Suite 600
Irvine, CA 92614

Questions?

1-800-944-2904

www.bosch-home.com/us

We look forward to hearing from you!

Safety Definitions

▲ WARNING

This indicates that death or serious injuries may occur as a result of non-observance of this warning.

▲ CAUTION

This indicates that minor or moderate injuries may occur as a result of non-observance of this warning.

NOTICE: This indicates that damage to the appliance or property may occur as a result of non-compliance with this advisory.

Note: This alerts you to important information and/or tips.

▲ PRECAUTIONS TO AVOID POSSIBLE EXPOSURE TO EXCESSIVE MICROWAVE ENERGY

PRECAUTIONS TO AVOID POSSIBLE EXPOSURE TO EXCESSIVE MICROWAVE ENERGY

- (1) Do not attempt to operate this oven with the door open, since open-door operation can result in harmful exposure to microwave energy. It is important not to defeat or tamper with the safety interlocks.
- (2) Do not place any object between the oven front face and the door or allow soil or cleaner residue to accumulate on sealing surfaces.
- (3) Do not operate the oven if it is damaged. It is particularly important that the oven door close properly and that there is no damage to the:
 - door (bent)
 - hinges and latches (broken or loosened)
 - door seals and sealing surfaces.
- (4) The oven should not be adjusted or repaired by anyone except authorized service personnel. Improper installation, service or maintenance can cause injury or property damage. Refer to this manual for guidance. Refer all servicing to a factory authorized servicer.

IMPORTANT SAFETY INSTRUCTIONS

READ ALL INSTRUCTIONS BEFORE USING THE APPLIANCE

WARNING

To reduce the risk of burns, electric shock, fire, injury to persons, or exposure to excessive microwave energy, read all instructions before using the appliance.

WARNING

If the information in this manual is not followed exactly, fire or shock may result causing property damage or personal injury.

When using electrical appliances basic safety precautions should be followed, including the following:

Read and follow the specific "PRECAUTIONS TO AVOID POSSIBLE EXPOSURE TO EXCESSIVE MICROWAVE ENERGY" found in the Safety Instructions chapter.

This appliance must be grounded. Connect only to properly grounded outlet (see GROUNDING INSTRUCTIONS).

Install or locate this appliance only in accordance with the provided installation instructions.

Some products such as whole eggs and sealed containers – for example, closed glass jars – can explode and should not be heated in this oven.

Use this appliance only for its intended use as described in the manual. Do not use corrosive chemicals or vapors in this appliance. This type of oven is specifically designed to heat, cook, or dry food. It is not designed for industrial or laboratory use.

As with any appliance, close supervision is necessary when used by children (see CHILD SAFETY).

This appliance should be serviced only by authorized service personnel. Contact nearest authorized service facility for examination, repair, or adjustment.

Do not cover or block any vents or openings on the appliance.

Do not store this appliance outdoors. Do not use this product near water – for example, near a kitchen sink, in a wet basement, near a swimming pool, or similar locations.

Do not immerse cord or plug in water.

Keep cord away from heated surfaces.

Do not let cord hang over edge of table or counter.

Do not operate this appliance if it has a damaged cord or plug, if it is not working properly, or if it has been damaged or dropped.

When cleaning surfaces of door and oven that come together on closing the door, use only mild, nonabrasive soaps, or detergents applied with a sponge or soft cloth. See door surface cleaning instructions in chapter "Cleaning and Maintenance".

To reduce the risk of fire in the oven cavity:

- Do not overcook food. Carefully attend appliance when paper, plastic, or other combustible materials are placed inside the oven to facilitate cooking.
- Remove wire twist-ties from paper or plastic bags before placing bag in oven.
- If materials inside the oven ignite, keep oven door closed, turn oven off, and disconnect the power cord, or shut off power at the fuse or circuit breaker panel.
- Do not use the cavity for storage purposes. Do not leave paper products, cooking utensils, or food in the cavity when not in use.

WARNING

RISK OF INJURY

The light emitted by LED lights is very dazzling, and can damage the eyes (risk group 1). Do not look directly into the switched on LED lights for longer than 100 seconds.

WARNING

RISK OF INJURY

The light emitted by LED lights is very dazzling, and can damage the eyes (risk group 1M in accordance with EN 60825-1). When the LED lights are switched on, do not look directly into the light using optical aids such as binoculars or a magnifying glass.

GROUNDING INSTRUCTIONS

This appliance must be grounded. Grounding reduces risk of electric shock by providing a safe pathway for electric current in the event of a short circuit. This oven is equipped with a cord having a grounding wire with a grounding plug. The plug must be plugged into an outlet that is properly installed and grounded.

WARNING - Improper grounding can result in a risk of electric shock.

Consult a qualified electrician if grounding instructions are not completely understood, or if doubt exists as to whether the oven is properly grounded.

Do not use an extension cord. If the product power cord is too short, have a qualified electrician install a three-slot receptacle. This oven should be plugged into a separate 60 Hertz circuit with the electrical rating as shown in specifications table. When the oven is on a circuit with other equipment, an increase in cooking times may be required and fuses can be blown.

Microwave operates on standard household current, 110–120 V.

IMPORTANT SAFETY INSTRUCTIONS

READ ALL INSTRUCTIONS BEFORE USING THE APPLIANCE

TV / Radio Interference

This appliance generates and uses ISM frequency energy. If not installed and used properly, in strict accordance with the manufacturer's instructions, it may cause interference to radio and television reception. It has been type tested and found to comply with limits for ISM equipment pursuant to part 18 of FCC rules, which are designed to provide reasonable protection against such interference in a residential installation. However, there is no guarantee that interference will not occur in a particular installation. Turn the appliance on and off to determine if it causes interference. Try the following to correct the interference:

- Clean door and sealing surface of the oven.
- Reorient the receiving antenna of the radio or television.
- Relocate the microwave oven with respect to the receiver.
- Move the microwave oven away from the receiver.
- Plug the microwave into a different outlet so that the oven and the receiver are on different branch circuits.

The manufacturer is not responsible for any radio or TV interference caused by unauthorized modification to this microwave oven. It is the responsibility of the user to correct such interference.

Intended Use

This appliance is intended for normal family household use only. It is not approved for outdoor use. See the Statement of Limited Product Warranty. If you have any questions, contact the manufacturer.

Do not use the cavity for storage purposes. Do not leave paper products, cooking utensils, or food in the cavity when not in use.

Do not operate oven when room humidity is excessive.

This oven is suitable for use above both gas and electric cooking equipment 36" (914 mm) or less wide.

Child Safety

Do not allow children to use this appliance. Failure to do so can result in burns or serious injury to children. Children and pets should not be left alone or unattended in the area where the appliance is in use. They should never be allowed to play in its vicinity, whether or not the appliance is in use.

When children become old enough to use the appliance, it is the responsibility of the parents or legal guardians to ensure that they are instructed in safe practices by qualified persons.

Do not allow anyone to climb, stand, lean, sit, or hang on any part of an appliance, especially a door, warming drawer, or storage drawer. This can damage the appliance, and the unit may tip over, potentially causing severe injury.

Cleaning Safety

Clean exhaust filters frequently - Do not allow grease to accumulate on the hood or filters. Fire could result.

Use care when cleaning the exhaust filters. Corrosive cleaning agents, such as lye-based oven cleaners may damage the filter (Refer to the CLEANING section in this manual).

Clean turntable roller rest and oven floor frequently to prevent excessive noise.

CAUTION

Grease left on filters can remelt and move into the vent.

WARNING

Be sure the entire appliance (including the grease filters and light bulbs) has cooled and grease has solidified before attempting to clean any part of the appliance.

Cooking Safety

CAUTION

To avoid personal injury or property damage, observe the following:

- Do not leave oven unattended while in use.
- Do not store flammable material next to or in the oven.
- When flaming foods under the microwave, always turn the fan on.
- Do not operate the oven while empty. This could damage the oven and result in a risk of fire.
- Do not store or use corrosive chemicals, vapors, flammables or nonfood products in or near this appliance. It is specifically designed for use when heating or cooking food. The use of corrosive chemicals in heating or cleaning will damage the appliance and could result in injury.
- Do not dry clothes, newspapers or other materials in the oven. Do not use newspapers or paper bags for cooking. Fire could result.
- Do not use recycled paper products unless labeled safe for microwave use. They may contain impurities which may cause sparks and result in fires when used.
- Always use potholders when removing items from the oven. The cooking container and the glass tray can be hot even if the oven is cool.
- Whenever possible, do not operate the ventilation system during a cooktop fire. However, do not reach through fire to turn it off.
- Do not mount over sink.
- Do not store anything directly on top of the appliance surface when the appliance is in operation.

⚠ IMPORTANT SAFETY INSTRUCTIONS

READ ALL INSTRUCTIONS BEFORE USING THE APPLIANCE

- Oversized food or oversized metal utensils should not be inserted in a microwave oven as they may create a fire or risk of electric shock.
- Do not clean with metal scouring pads. Pieces can break off the pad and touch electrical parts involving a risk of electric shock.
- Do not store any materials, other than manufacturer's recommended accessories, in this oven when not in use.
- Do not cover racks or any other part of the oven with metal foil. This will cause overheating of the oven.
- Do not use paper products when appliance is operated in the toaster mode

WARNING

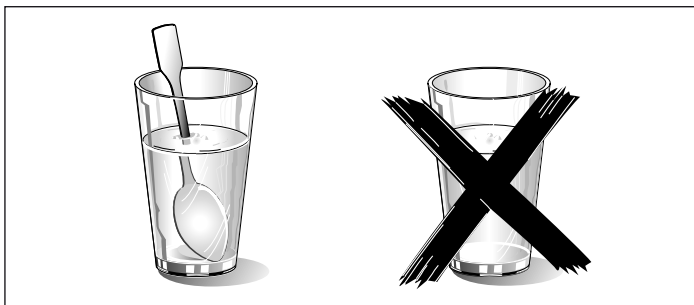
Do not operate gas cooktop burners without pots in place. The open flame may overheat the microwave oven above.

In Case of Fire

If materials inside an oven should ignite:

1. Keep door closed
2. Turn appliance off
3. Unplug the appliance or shut off at fuse or circuit breaker

Liquids



Liquids, such as water, coffee, or tea could be overheated. They can be heated beyond the boiling point without appearing to boil. For example, visible bubbling or boiling when the container is removed from the microwave oven is not always present. THIS COULD RESULT IN VERY HOT LIQUIDS SUDDENLY BOILING OVER WHEN THE CONTAINER IS DISTURBED OR A UTENSIL IS INSERTED INTO THE LIQUID.

When heating liquids, always place a glass rod/spoon in the container. This will prevent delayed boiling.

CAUTION

Metal e.g. a spoon in a glass must be kept at least 1 in (25 mm) from the oven walls and the inside of the door. Sparks could irreparably damage the glass on the inside of the door.

- Take ready meals out of the packaging. They will heat up more quickly and evenly in microwaveable ovenware. The different components of the meal may not require the same amount of time to heat up.
- Always cover the food. If you do not have a suitable cover for your container, use a plate or special microwave foil.
- Stir or turn the food several times during cooking. Check the temperature.
- After heating, allow the food to stand for a further 2 to 5 minutes so that it can achieve an even temperature.
- Always use an oven cloth or oven gloves when removing plates from the oven.

Cooking Items

Eggs: Do not cook or reheat whole eggs, with or without shell. Steam buildup in whole eggs may cause them to explode, and possibly damage the oven or cause injury. Reheating sliced hard-boiled eggs and cooking scrambled eggs is safe.

Popcorn: Use only popcorn in packages designed and labeled for microwave use, or pop it in a microwave oven corn popper. Follow popcorn manufacturers' directions and use a brand suitable for the wattage of your oven. Do not continue to heat after popping has stopped. Popcorn will scorch or burn. Do not leave oven unattended.

CAUTION

When using pre-packaged microwave popcorn, check package weight before using the popcorn function. Set the oven for the weight of the popcorn package. If these instructions are not followed, popcorn may not pop adequately or may ignite and cause fire.

Foods with nonporous skins: Potatoes, tomatoes, sweet potatoes, apples, whole squash and sausages are examples of foods with nonporous skins. These types of foods must be pierced before cooking to prevent them from exploding.

Baby food / Baby formula: Do not heat baby bottles or food in microwave oven. The glass jar or the surface of food may appear warm while the interior can burn the infant's mouth and esophagus.

IMPORTANT SAFETY INSTRUCTIONS

READ ALL INSTRUCTIONS BEFORE USING THE APPLIANCE

Deep fat frying: Do not deep fat fry in oven. Oil can be heated beyond ideal temperatures very quickly in a microwave oven. Temperatures can climb high enough for the cooking oils to reach their respective flash points and burst into flames. The heated oil may bubble and spatter causing possible damage to the oven and perhaps result in burns. Additionally, microwave-safe utensils may not be able to withstand the temperature of the hot oil, and could result in the utensil shattering, if it contains a slight imperfection, scratch or chip.

Home Canning / Drying foods / Small quantities of foods: Do not use microwave oven for home canning or heating of any closed jar. Pressure will build up and the jar may explode. In addition, the oven cannot maintain the food at the proper canning temperature. Improperly canned food may spoil and be dangerous to consume. Small quantities of food or foods with low moisture content can dry out, burn or catch on fire.

Do not dry meats, herbs, fruits or vegetables in your oven.
Proper cooking depends on time set and weight of food. If you use a smaller portion than recommended and cook at the time for the recommended portion, fire could result.

Browning dishes: Microwave browning dishes or grills are designed for microwave cooking only. Preheating times vary depending on the size of the browning dish and food being cooked. Always follow instructions provided by the browning dish or grill manufacturer. Do not preheat browning dishes more than 6 minutes.

Oven roasting bags: If an oven bag is used for microwave cooking, prepare according to package directions. Do not use wire twist-ties to close bags, instead use nylon ties, cotton string or a strip cut from the open end of the bag. Make six 1/2" (12.7 mm) slits by closure. Place oven cooking bag in a dish slightly larger than the food being cooked.

Cooking Utensils

See also **Microwave Utensil Guide**.

Cooking utensils, the glass tray and racks get hot during microwaving. Always use potholders when removing items from the oven. Allow the glass tray and the metal racks (if used) to cool before handling.

Do not use metal utensils, or dishes with metallic trim in the oven.

When using aluminum foil in the oven, allow at least 1" (25.4 mm) of space between foil and interior oven walls or door.

The glass tray and the metal racks (if used) will get hot during cooking. The cooking container and the glass tray can be hot even if the oven is cool.

Never use paper, plastic, or other combustible materials that are not intended for cooking.

When cooking with paper, plastic, or other combustible materials, follow manufacturer's recommendations on product use. Do not use paper towels which contain

nylon or synthetic fibers. Heated synthetics could melt and cause paper to ignite

Do not heat sealed containers or plastic bags in oven. Food or liquid could expand quickly and cause container or bag to break. Pierce or open container or bag before cooking.

Glass Tray / Turntable Ring

Do not operate the oven without the turntable roller rest and the glass tray in place.

Do not operate the oven without the glass tray in place. Improper cooking or damage to the oven could result. Verify that the glass tray is properly positioned and turning when the oven is in use.

Note: The glass tray can turn in either direction.

Only use the glass tray designed for this oven. Do not substitute any other tray.

Allow the glass tray to cool before cleaning or placing in water.

Do not place food directly on the glass tray. Always place food in a microwave safe dish.

Always replace the turntable ring and the glass tray in their proper positions.

The turntable ring must always be used for cooking along with the glass tray.

Exhaust Mode Operation

When the microwave is operated in exhaust mode simultaneously with a different burner, care must be taken to ensure that there is an adequate supply of fresh air which will be needed by the burner for combustion.

WARNING

Avoid carbon monoxide poisoning - Provide adequate air intake so combustion gases are not drawn back into the room.

Thermometers

Do not use regular cooking thermometers in oven. Most cooking thermometers contain mercury and may cause electrical arc, malfunction, or damage to the oven.

Pacemakers

CAUTION

To avoid pacemaker malfunction, consult physician or pacemaker manufacturer about effects of microwave energy on pacemaker.

IMPORTANT SAFETY INSTRUCTIONS

READ ALL INSTRUCTIONS BEFORE USING THE APPLIANCE

State of California Proposition 65 Warnings

WARNING

This product contains chemicals known to the State of California to cause cancer, birth defects or other reproductive harm.

Fan Motor Operation

After using the oven the fan motor can rotate to cool the electric components. This is perfectly normal, and you can take out the food from the oven while the fan operates.

Room Venting with Carbon Filter

The charcoal filter, which was enclosed with your microwave oven, binds the odorous substances.

Note: If no charcoal filter is installed, it is not possible to bind the odorous substances in the cooking vapours.

SAVE THESE INSTRUCTIONS.

Causes of damage

NOTICES:

- Metal - e.g. a spoon in a glass - must be kept at least 1" (25 mm) from the oven walls and the inside of the door. Sparks could irreparably damage the glass on the inside of the door.
- Water in the hot oven interior: Never pour water into the hot oven interior. Steam is produced. Damage to the enamel can arise due to the temperature change.
- Do not leave moist groceries in a closed oven for an extended period of time. It can lead to corrosion inside the oven.
- Fruit juice can leave stains in the oven. Always remove fruit juice immediately when safe to touch, and wipe up first with a damp and then a dry cloth.
- Cooling with the appliance door open: only allow the oven cavity to cool when it is closed. Even if the appliance door is only open a little, front panels of adjacent units could be damaged over time.
- Highly soiled door seal: the appliance door will no longer close properly during operation if the door seal is highly soiled. Adjoining furniture fronts may be damaged. Always keep the door seal clean.
- Appliance door as a seat or storage surface: do not stand, sit or hang on the appliance door. Do not place any cookware or accessories on the appliance door.
- Inserting accessories: depending on the appliance type, accessories can scratch the door pane when closing the appliance door. Always slide accessories fully into the oven interior.
- Do not hold or carry the appliance by the door handle. The door handle cannot carry the weight of the device and could break off, or the hinges can be damaged.
- Operating the microwave without food in the oven cavity may lead to overloading. Never run the microwave unless there is food in the oven cavity. An exception to this rule is a short ovenware test (see the section "Microwave, suitable ovenware"), or an AutoChef mode that needs pre-heating.
- Always set the microwave power as recommended for the food. High power settings can overheat foods very quickly.
- The turntable may jump if overloaded.

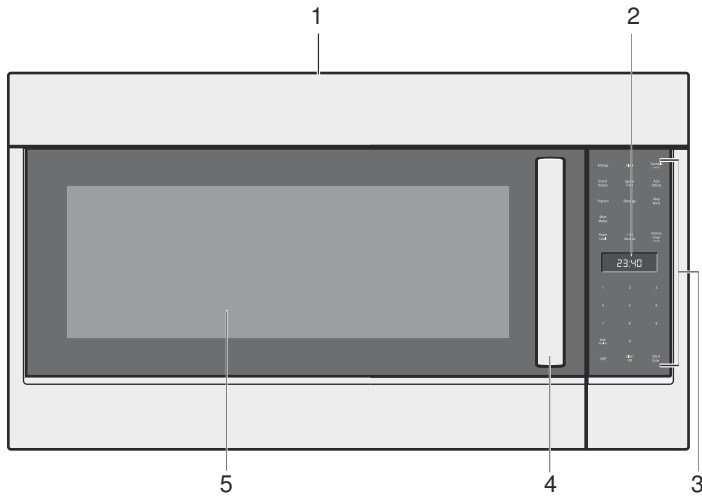
Protecting the environment

Unpack the appliance and dispose of the packaging in an environmentally friendly manner.

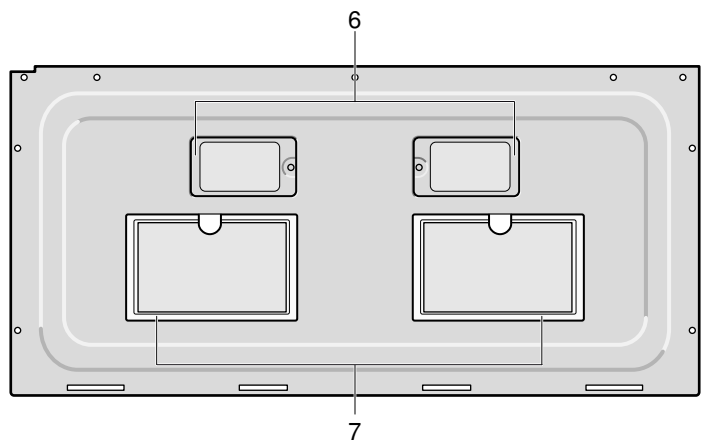
Getting started

Parts

Front view



Bottom view



1	Top vent grill
2	Display
3	Control panel
4	Door handle
5	Window
6	Surface lights (LED)
7	Ventilation filters

Cooling Fan

The cooling fan runs during all cooking modes. The fan can be heard when it is running, and warm air may be felt as it is released from the oven vent. The fan may also run after the oven is off.

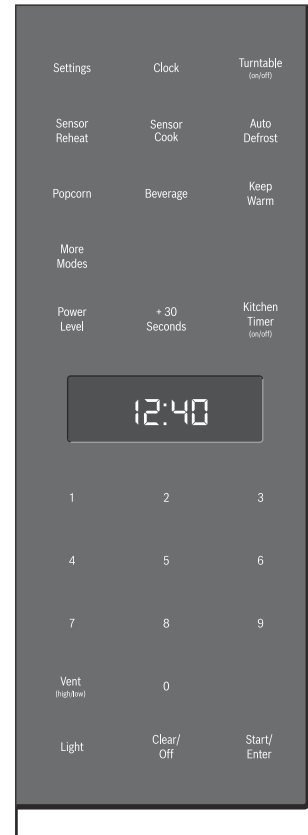
Oven Vent

The oven vent is located at the top of the unit. Warm air may be released from the vent before, during and after cooking. It is normal to see steam escaping from the vent, and condensation may collect in this area. This area may be warm when the oven is in use. Do not block the vent, since it is important for air circulation.

Oven light (LED)

The oven light turns off to save energy after two minutes with the door open. To turn the light back on close the door and open it again.

Control panel



Touch keys

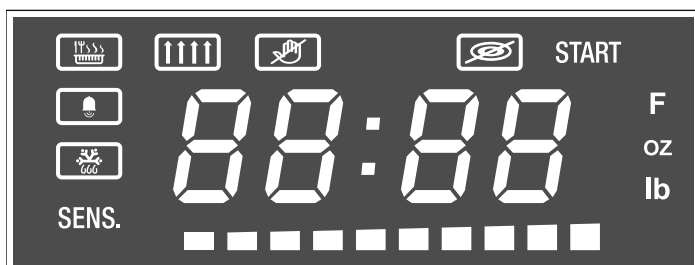
You can activate a function by briefly touching the corresponding touch key. Each time you touch a key a short beep will sound. A long beep will tell you that you have made an invalid input.

Touch key	Function
Settings	Change basic settings
Clock	Set time of day
Turntable (on/off)	Switches turntable on or off
Sensor Reheat	Reheat food with automatic settings
Sensor Cook	Cook food with automatic settings
Auto Defrost	Defrost food with automatic settings
Popcorn	Select popcorn bag size
Beverage	Heat beverages, select beverage size
Keep Warm	Set Keep Warm feature
More Modes	Enter more modes for convenience cooking
Power Level	Set power level for microwave operation

Touch key	Function
+30 Seconds	Add 30 seconds to microwave timer
Kitchen Timer	Set kitchen timer
0 - 9	Use the number keys to enter customized values
Vent (high/low)	Turn kitchen ventilation feature on/off
Light	Turn surface light on/off
Clear/Off	Clear entered value/turn appliance off
Start/Enter	Confirm input, start operation

Display elements

The display gives you information on the current settings of your appliance. Blinking display symbols indicate that an input is required.

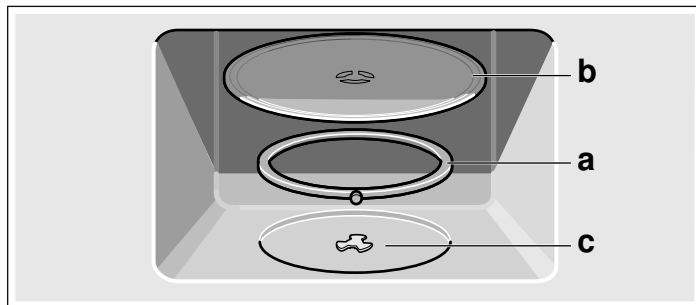


	Keep Warm mode
	Vent fan on
	Panel lock on
	Turntable off
	Kitchen timer
	Defrost
START	Confirmation with Start/Enter key required when blinking
SENS.	Sensing in progress
F	Temperature in °F
oz lb	Numeric display shows weight in Ounces/Pounds
	Status bar for microwave power level
88:88	Numeric display for time, temperature or weight, depending on the unit displayed next to it

Accessories

How to fit the turntable

1. Place the roller rest **a** in the recess in the oven cavity.
2. Let the turntable **b** slot in place in the drive **c** in the center of the floor of the oven cavity.

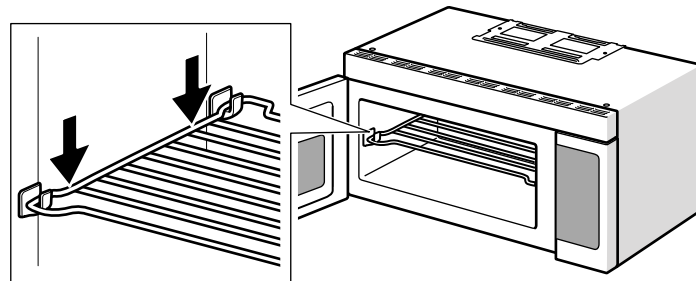


Note: Do not use the appliance if the turntable is not in place. Ensure that it is properly slotted into place and rotates freely when the microwave is operated.

Using the metal rack

The metal rack gives you extra space when cooking in more than one container at the same time.

1. Place rack securely in the four plastic supports.



Note: Rack must not touch metal walls or back of microwave.

2. Place equal amounts of food both above and below rack.

Note: Amount of food must be approximately the same in both containers to balance out cooking energy.

⚠ CAUTION

- Do not use the rack to pop popcorn.
- The rack must be on the four plastic supports when used.
- Use the rack only when cooking food on two positions.
- Do not cook with rack on the floor of the microwave oven.
- The rack can get hot during microwaving. Allow the rack to cool down before handling.

Microwave utensil guide

Suitable ovenware

- **Heat-resistant glass, glass-ceramic:**
Utility dishes, loaf dishes, pie plates, cake plates, liquid measuring cups, casseroles and bowls without metallic trim (e.g. Pyrex®, Anchor Hocking™, Corning Ware®, etc.).
- **China:**
Bowls, cups, serving plates and platters without metallic trim.
- **Plastic films and wraps:**
Plastic wrap (as a cover) - lay the plastic wrap loosely over the dish and press it to the sides. Vent plastic wrap by turning back one edge slightly to allow excess steam to escape. The dish should be deep enough so that the plastic wrap will not touch the food.
- **Microwave-safe plastics:**
Microwave-safe plastic dishes, cups, semi-rigid freezer containers and plastic bags for short cooking times. Use these with care because the plastic may soften from the heat of the food.
- **Paper products:**
Paper towels, wax paper, parchment paper, paper napkins and paper plates with no metallic trim or design. Look for the manufacturers label for any special instructions for use in the microwave oven.

Unsuitable ovenware

- **Metal utensils and cookware:**
Metal shields the food from microwave energy and produces uneven cooking. Also, avoid metal skewers, thermometers or foil trays. Metal utensils can cause arcing, which can damage your microwave oven.
- **Metal decoration:**
Bowls, cups, serving plates and platters with metallic trim.

- **Aluminum foil:**
Avoid large sheets of aluminum foil because they hinder cooking and may cause harmful arcing. Use small pieces of foil to shield poultry legs and wings. Keep ALL aluminum foil at least 1 inch (2.5 cm) from the side walls of the oven cavity and door of the microwave.
- **Wood:**
Wooden bowls and boards will dry out and may split or crack when you use them in the microwave oven. Baskets made of wood will react in the same way.
- **Tightly covered cookware:**
Be sure to leave openings for steam to escape from covered cookware. Pierce plastic pouches of vegetables or other food items before cooking. Tightly closed pouches may explode.
- **Brown paper:**
Avoid using brown paper bags. They absorb heat and can burn.
- **Flawed or chipped cooking utensils:**
Any utensil that is cracked, flawed or chipped may break in the oven.
- **Metal twist ties:**
Remove metal twist ties from plastic or paper bags. They become hot and could cause a fire.

Ovenware test

Do not turn on the microwave unless there is food inside. The following ovenware test is the only exception to this rule.

Perform the following test if you are unsure whether your ovenware is suitable for use in the microwave:

1. Heat the empty ovenware at maximum power for ½ to 1 minute.
2. Check the temperature occasionally during that time. The ovenware should still be cold or warm to the touch. The ovenware is unsuitable if it becomes hot or if sparks are generated.

Before using the appliance for the first time

- Appliance must be properly installed by a qualified technician before use.
- Remove all packing materials from inside and outside the oven.
- While cool, wipe with a clean, damp cloth and dry.
- There may be a slight odor from your new appliance; this is normal and will disappear after a short time.
- Optimum cooking results depend on proper cookware being used.
- Read and understand all safety precautions and Use and Care Manual information.

Execute the following sections prior to operating:

The appliance must be completely fitted and connected.

Cleaning accessories

Before using accessories for the first time, thoroughly clean them with hot soapy water and a soft dish cloth.

Applying the program label

Apply the included program label in the desired language to the lower frame of the oven cavity, as indicated on the leaflet that carries the label.

Operation

Setting the clock


The clock can be set in 12-hour mode.

1. Touch **Clock** once.
2. Enter the time using the number keys.
Example: To set the clock to 12:41 type in 1 2 4 1.

3. Touch **Clock** to confirm.
The time of day is displayed.

Setting the Kitchen Timer

You can set a timer value of up to 99 minutes and 99 seconds.

1. Touch **Kitchen Timer**.
The  symbol lights up and **00:00** is blinking.
2. Enter the desired time using the number keys.
3. Touch **Kitchen Timer** to confirm.

The Kitchen Timer starts counting down.

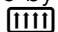
Once the set time has elapsed 4 beeps will sound. To stop the beep, touch **Kitchen Timer**.

To cancel the kitchen timer, touch **Kitchen Timer** again or open the appliance door.

Operating the Ventilation Fan

The Vent feature moves steam and other cooking vapors from the cooking surface of the range below the microwave oven.

You can set four different vent speeds.

Set the vent feature by touching **Vent (high/low)**. The ventilation symbol  will light up on the display.

Vent level	Touch Vent (high/low) key	Display
4 (high)	once	<i>HI</i>
3	twice	
2	3 times	
1 (low)	4 times	<i>LO</i>
OFF	5 times	OFF

Note: If the temperature gets too hot around the microwave oven, the fan of the vent feature will automatically turn on at the lowest setting to cool the oven. The fan will automatically turn off when the internal parts are cool. When this occurs, the vent cannot be manually turned off.

Turning the Surface Light on/off


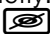
The appliance is equipped with a cooking surface light, to light the surface underneath the appliance.

With the **Light** key you can set two brightness levels.

Brightness	Touch Light key
High	once
Low	twice
Off	three times

Turning the turntable on / off

For best cooking results, leave the turntable on. It can be turned off for large dishes.

To turn the turntable off, touch **Turntable (on/off)** once. The  symbol and **OFF** lights up briefly. Touch the key again to turn the turntable on. The  symbol and **On** lights up briefly.

⚠ CAUTION

- Sometimes the turntable can become hot. Be careful touching the turntable during and after cooking.
- Do not run the oven empty.
- Do not operate the oven without the turntable in place.

Operating the microwave

The appliance must be turned off.

1. Enter the desired cooking duration with the number keys. The timer display will fill in from right to left.
Example: To set a microwave cooking time of 20 minutes and 30 seconds, enter the numbers 2 0 3 0. **START** is blinking.
2. You can start microwave operation with the default power level 10 by touching **Start/Enter**, **or -** you can adjust the power level. Touch **Power Level**. The default power level **PL 10** is blinking. The segments in the bar underneath the number display also indicate the power level.
3. Enter the desired power level using the number keys. **PL** and the selected power level and **START** are blinking in the display.



4. Touch **Start/Enter** to start microwave operation.
The microwave timer will start to count down.
The microwave timer can be changed during operation by touching **+30 Seconds**.
The power level can be changed during operation. To display the set power level, touch **Power Level**.
Once the microwave time has run out, four beeps will sound. The appliance turns off and the clock is displayed.

Opening appliance door during operation

Opening the appliance door during operation will interrupt the current mode. Close the appliance door and then touch **Start/Enter** to resume operation.

Cancel operation

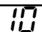
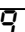

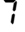
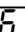
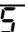
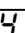

Touch **Clear/Off** to cancel the active oven mode. The appliance turns off and the clock is displayed.

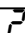
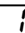
The cooling fans may continue to run for awhile and then switch off automatically.

Microwave power levels

The 10 power levels available with this microwave will help you to adjust to the power output best suited for the food type you are preparing. As with any food preparation in the microwave, it is best to follow the microwave instructions that are printed on the food packaging.

The table below provides suggested power levels for various types of food that can be prepared in the microwave.

Power level	Microwave output	Use for
 High	100%	Boiling water Cooking ground meat Making candy Cooking fresh fruit & vegetables Cooking fish & poultry Preheating browning dish Reheating beverages Cooking bacon slices
	90%	Reheating meat slices quickly Saute onions, celery & green peppers
	80%	All reheating Cooking scrambled eggs
	70%	Cooking breads & cereal products Cooking cheese dishes & veal Cooking muffins, brownies & cupcakes Cooking whole poultry
	60%	Cooking pasta
	50%	Cooking meat Cooking custard Cooking spare ribs, rib roast & sirloin roast
	40%	Cooking less tender cuts of meat Reheating frozen packaged foods
	30%	Thawing meat, poultry & seafood Cooking small quantities of food Finish cooking casseroles, stew & some sauces Melting chocolate

Power level	Microwave output	Use for
	20%	Softening butter & cream cheese
	10%	Softening ice cream Raise yeast dough

Suggestions for best results

To help you achieve the best possible results from your microwave oven, read the following suggestions below:

- **Storage temperature**
Foods taken from the freezer or refrigerator take longer to cook.
- **Size**
Small pieces of food cook faster than large ones. Pieces similar in size and shape will cook more evenly when cooked together. For more even results, reduce the power levels when cooking large pieces of food.
- **Natural moisture**
Very moist foods cook more evenly because microwave energy heats water molecules very efficiently.
- **Stirring**
Stir foods such as casseroles and vegetable from the outside to the center to distribute the heat more evenly. This will allow the food to cook faster. (Constant stirring is not necessary.)
- **Turning**
Turn over foods such as pork chops, roasts or whole cauliflower halfway through the cook time. This will help to expose all sides equally to microwave energy.
- **Placing food**
Place delicate areas of food items, such as asparagus tips, toward the center of the turntable tray.
- **Arranging food**
Arrange unevenly shaped foods, such as chicken pieces or salmon, with the thicker or meatier parts toward the outside of the turntable tray.
- **Letting food stand**
After removing the food from the microwave, cover the food with foil or a casserole lid and let it stand to finish cooking. This will help the food finish cooking in the center and avoids overcooking the outer edges. The length of stand time depends on the density and surface area of the food items.
- **Wrapping foods**
Sandwiches and many other food types containing pre-baked bread should be wrapped in paper towels or wax paper prior to placing in the microwave to help prevent the food items from drying out while heating.


Adding cook time (+30 Seconds)

This time-saving feature will let you quickly add 30 seconds to any cook time. **+30 Seconds** will also start the microwave with 30 seconds at 100% power level. Each time you touch the **+30 Seconds** key, 30 seconds will be added to the cook time.

Auto Defrost

With the Auto Defrost feature you can defrost three different types of food by entering the weight. The ideal defrost time will be calculated by the program.

Setting Auto Defrost

1. Touch **Auto Defrost** once. *DEF 1* and **START** are blinking and the  symbol lights up in the display.



2. Touch **Auto Defrost** repeatedly until the desired program number is shown in the display. Check the menu label at the bottom of the oven cavity or see program table below.
3. Touch **Start/Enter**. *0.0* lb is blinking in the display.
4. Enter the weight of the food using the number keys.
5. Touch **Start/Enter** to start the program.

When auto defrost is finished 4 beeps will sound. The appliance turns off and the clock is displayed.

Note: A beep sounds during defrosting for all food programs to turn food over or separate pieces.

Opening appliance door during operation

Opening the appliance door during operation will interrupt the current mode. Close the appliance door and then touch **Start/Enter** to resume operation.

Cancel operation

Touch **Clear/Off** to cancel the active oven mode. The appliance turns off and the clock is displayed. The cooling fans may continue to run for awhile and then switch off automatically.

Auto Defrost programs

Program no.	Food	Weight range
<i>DEF 1</i>	Ground meat	0.5 - 3lbs
<i>DEF 2</i>	Meat pieces (steaks, chops)	0.5 - 3 lbs
<i>DEF 3</i>	Poultry pieces	0.5 - 3 lbs

Tips for defrosting

▲ WARNING

HEALTH RISK

Liquid will be produced when defrosting meat or poultry. Drain off this liquid when turning meat and poultry, and under no circumstances, use it for other purposes, or allow it to come into contact with other foods.

- Always enter the weight in lbs when using the defrost by weight feature (see program table).
- Use the defrost mode for raw food items only.
- Defrosting gives best results when food to be thawed is a minimum of 0° F (taken directly from a freezer). If the food has been stored in a refrigerator-freezer that does not maintain a temperature of 5° F or below, always program a lower food weight or lower cook time to prevent cooking the food.
- If the frozen food is stored outside the freezer for up to 20 minutes, enter a reduced cook time or weight.
- The shape of the package will alter the defrosting time. Shallow rectangular food packets defrost more quickly than a deep frozen block of food.
- Separate pieces as they begin to defrost. Separated frozen pieces of food defrost better.
- Shield warm areas of food with small pieces of aluminum foil, if they start to heat up. Use small pieces of aluminum foil to shield food items like chicken wings, leg tips and fish tails. Do not allow aluminum foil to touch the oven cavity when defrosting.

Defrosting suggestions for meat

For best results, please read these suggestions when defrosting meat.

Meat	Weight range	Suggestions
Ground meat	0.5 to 2 lbs (8 to 48 oz)	After each stage, remove any pieces of food that are nearly defrosted. Let stand covered with foil for 5 to 10 minutes.
Steaks, chops or fish	0.5 to 3 lbs (8 to 48 oz)	After each stage, rearrange the food. If there are any warm or thawed portions of food, shield them with narrow pieces of aluminum foil. Remove any pieces of food that are nearly defrosted. Let stand covered for about 5 to 10 minutes.
Chicken pieces	0.5 to 3 lbs (8 to 48 oz)	After each stage, rearrange or remove any pieces of food that are nearly defrosted. Let stand covered for 10 to 20 minutes.

Sensor Reheat

The Sensor Reheat feature lets you reheat dinner plates or casseroles (8-12 oz.) for your cooking convenience.

Setting Sensor Reheat

1. Touch **Sensor Reheat** once. *Sr - 1* and START are blinking in the display.



2. Touch **Sensor Reheat** repeatedly until the desired program number is shown in the display. Check the menu label at the bottom of the oven cavity or see program table below.
3. Touch **Start/Enter** to start sensor reheat mode. The appliance starts sensing, SENS. lights up in the display. The microwave is operating during sensing. When sensing is complete, two short beeps will sound and the calculated cook time will start to count down.

Once sensor reheat is finished 4 beeps will sound. The appliance turns off and the clock is displayed.

Note: Do not open the door during the sensing process, or the program will be cancelled.

Once the calculated cook time is displayed, you can open the door to stir, turn or rearrange the food. Touch **Start/Enter** to resume operation.

Notes

- Cover with vented plastic wrap or wax paper.
- Reheat food on a microwaveable dinner plate.

Cancel operation

Touch **Clear/Off** to cancel the active oven mode. The appliance turns off and the clock is displayed.

The cooling fans may continue to run for awhile and then switch off automatically.

Sensor Reheat programs

Program no.	Food	Quantity
<i>Sr - 1</i>	Dinner plate	1 serving
<i>Sr - 2</i>	Casserole, pasta	1 to 4 servings

Reheat cooking suggestions

Food	Directions	Quantity
Dinner plate	Use only pre-cooked, refrigerated foods. Cover plate with vented plastic wrap or waxed paper, tucked under plate. If food is not hot enough after heating with the Reheat feature, continue heating using manual time and power level setting. Contents: <ul style="list-style-type: none"> • 3-4 oz. meat, poultry or fish (up to 6 oz. with bone) • 1/2 cup starch (potatoes, pasta, rice, etc.) • 1/2 cup of vegetables (about 3-4 oz.) 	1 serving (1 plate)
Casserole, Pasta	Cover plate with lid or vented plastic wrap. If food is not hot enough after heating with the Reheat feature, continue heating using manual time and power level setting. Stir foods once before serving. Contents: <ul style="list-style-type: none"> • Casserole: refrigerated foods (such as beef stew or lasagna) • Pasta: Canned spaghetti and ravioli, refrigerated foods 	1 to 4 servings

Sensor Cook

Sensor Cook allows you to cook many of your favorite foods without selecting cooking times and power levels. The microwave oven automatically determines the required cooking time for each food item.

For best results for cooking by sensor, follow these recommendations:

- Food cooked with the sensor system should start from normal storage temperature.
- Turntable tray, glass tray and outside of container should be dry.
- Foods should always be covered loosely with microwavable plastic wrap, wax paper or lid.
- Do not open the door or touch **Clear/Off** key during sensing time. When sensing time is over, the oven beeps twice and the remaining cooking time will appear in the display. **At this time you can open the door to stir, turn or rearrange the food.**

Setting Sensor Cook

1. Touch **Sensor Cook** once. **Sc - 1** and START are blinking.
2. Touch **Sensor Cook** repeatedly until the desired program number is shown in the display.
3. Touch **Start/Enter** to start sensor cook mode. SENS. lights up in the display and the appliance starts sensing.



When sensing is complete, two short beeps will sound and the calculated cook time will start to count down.

Once sensor cook is finished 4 beeps will sound. The appliance turns off and the clock is displayed.

Note: Do not open the door during the sensing process, or the program will be cancelled.

Once the calculated cook time is displayed, you can open the door to stir, turn or rearrange the food. Touch **Start/Enter** to resume operation.

Cancel operation

Touch **Clear/Off** to cancel the active oven mode. The appliance turns off and the clock is displayed. The cooling fans may continue to run for awhile and then switch off automatically.

Sensor Cook programs

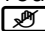
Progr. no.	Food	Quantity	Cooking tips
Sc - 1	Baked Potato	1 - 4 potatoes (8 - 32 oz)	After cooking, allow to stand wrapped in foil for 5 minutes.
Sc - 2	Sweet Potato	1 - 4 potatoes (8 - 32 oz)	After cooking, allow to stand wrapped in foil for 5 minutes.
Sc - 3	Fresh Vegetable	8 - 24 oz (0.5 - 1.5 lbs)	No water is needed if vegetables have just been washed. Add 2 tablespoons water per 8 ounces of fresh vegetables.
Sc - 4	Frozen Vegetable	8 - 24 oz (0.5 - 1.5 lbs)	Add 1 tablespoon water per 4 ounces of frozen vegetables.

Progr. no.	Food	Quantity	Cooking tips
Sc - 5	Ground Meat	8 - 24 oz (0.5 - 1.5 lbs)	After cooking, allow to stand, covered, for 3 - 4 minutes.
Sc - 6	Fish/Seafood	8 - 24 oz (0.5 - 1.5 lbs)	Roll thin edges underneath. Arrange in a ring around microwaveable dish.
Sc - 7	Brown Rice	0.5 - 2 cups (dry rice)	Use a high-sided casserole dish. Do not cover. Use 1 cup rice to 3 cups water.
Sc - 8	White Rice	0.5 - 2 cups (dry rice)	Use a high-sided casserole dish and lid. Use 1 cup rice to 2 cups water.
Sc - 9	Frozen Entrees		Follow package instructions for venting, cutting plastic film, etc.

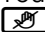
Panel Lock

The panel lock feature is very useful when cleaning the control panel. The lock will prevent accidental programming when wiping the control panel clean.

To activate the panel lock:

Touch and hold **Clear/Off** for more than 3 seconds. The  symbol lights up in the display, a double beep sounds.

To deactivate the panel lock:

Touch and hold **Clear/Off** for more than 3 seconds. The  symbol disappears from the display. The panel is unlocked.

Settings

The following basic settings of your appliance can be adjusted to your personal preferences.

Display	Function	Touch Settings key
Scd	Key sounds on/off 1 - on 2 - off	once
Cl o	Clock display in stand-by mode on/off 1 - on 2 - off	twice

Changing the settings

Example: Turn clock display on/off.

1. Touch **Settings** twice.
[10 and OFF or On alternate in the display.
2. Touch the number key **1** to turn the clock display on, touch **2** to turn the clock display off.

3. Touch **Start/Enter**.
4. Touch **Clear/Off** to exit the settings menu.

Note: You can only change one setting at a time. To change another setting, you have to exit the settings menu first and begin from step 1.

Convenience Operation

Popcorn

▲ CAUTION

Do not leave oven unattended while popping corn. Popcorn may ignite and cause fire.

Setting Popcorn mode

The popcorn feature lets you pop 3 different bag sizes of commercially packaged microwave popcorn. Use the following table to determine the setting to use.

Bag size	Touch Popcorn key
1.2 oz. (default setting)	once
2.5 oz.	twice
3.5 oz.	3 times

Example: Pop a 3.5 oz. bag of popcorn automatically:

1. **Popcorn** three times. 3 and START are blinking in the display.
2. Touch **Start/Enter**.
The appliance starts to count down. Once the microwave time has elapsed 4 beeps will sound. The appliance turns off and the clock is displayed.

Cancel operation

Touch **Clear/Off** to cancel the active oven mode. The appliance turns off and the clock is displayed. The cooling fans may continue to run for awhile and then switch off automatically.

Beverage

The beverage feature heats between 0.5 and 2 cups of a beverage. Use the table below to determine the setting to use.

Pro-gram No.	Amount	Touch Beverage key
1	0.5 cups (about 8 oz)	once
2	1 cup (about 16 oz)	twice
3	1.5 cups (about 24 oz)	3 times
4	2 cups (about 32 oz)	4 times

Example: Heat 1 cup of a beverage.

1. Touch **Beverage** twice. 2 and START are blinking in the display.
2. Touch **Start/Enter**.
Once the cook time has elapsed, 4 beeps will sound. The appliance turns off and the clock is displayed.

Cancel operation

Touch **Clear/Off** to cancel the active oven mode. The appliance turns off and the clock is displayed. The cooling fans may continue to run for awhile and then switch off automatically.

Keep Warm


You can keep cooked food warm in your microwave oven for up to 60 minutes.

▲ CAUTION

WHEN USING KEEP WARM MODE, FOLLOW THESE GUIDELINES:

- Do not use the Keep Warm mode to heat cold food.
- Be sure to maintain proper food temperature. The USDA recommends holding hot food at 140 °F (60 °C) or warmer.
- DO NOT warm food longer than one hour.

Setting Keep Warm

1. Touch **Keep Warm**. The  symbol lights up and 00:00 is blinking in the display.
2. Enter the desired time using the number keys.
3. Touch **Start/Enter**.

Once the set Keep Warm time has elapsed, the appliance keeps beeping until **Clear/Off** is pressed.

Notes

- Use the Keep Warm mode to keep cooked foods hot and ready to serve.
- Food cooked covered should remain covered during Keep Warm.
- Pastry items (pies, turnovers, etc.) should be uncovered.
- Complete meals kept warm on a dinner plate can be covered during Keep Warm.

Cancel operation

Touch **Clear/Off** to cancel the active oven mode. The appliance turns off and the clock is displayed.

The cooling fans may continue to run for awhile and then switch off automatically.

More Modes

The More Modes feature offers you five more convenient programs.

Available modes

Mode no.	Name	Input
1	Melt butter	1 = 2 tablespoons 2 = 1/4 cup 3 = 1/2 cup
2	Melt chocolate	1 = 1 cup 2 = 2 cups
3	Soften ice cream	1 = 4 oz. 2 = 8 oz. 3 = 16 oz. 4 = 32oz. 5 = 48 oz.
4	Soften cream cheese	1 = 3 oz. 2 = 6 oz. 3 = 8 oz.
5	Time defrost	Enter defrost time

Setting More Modes

1. Touch **More Modes** once. **!** and **START** are blinking in the display.
2. Touch **More Modes** repeatedly until the desired program number is shown in the display. Check the menu label at the bottom of the oven cavity or see program table above.
3. Touch **Start/Enter**. For modes 1 to 4: **!** and **START** is blinking on the display. For mode 5: **00:00** is blinking in the display.
4. Enter the desired weight category (mode 1 - 4) or enter the desired defrost time (mode 5) with the number keys.
5. Touch **Start/Enter** to start operation. Once the cook time has elapsed, 4 beeps will sound. The appliance turns off and the clock is displayed.

Cancel operation

Touch **Clear/Off** to cancel the active oven mode. The appliance turns off and the clock is displayed.

The cooling fans may continue to run for awhile and then switch off automatically.

Cooking Charts

The charts can be used as a guide. Follow package or recipe directions.

Cooking meat in your microwave

Be sure to place prepared meats on a microwave-safe roasting rack in a microwave-safe dish. Start cooking the

meat fat side down and if necessary, use narrow strips of aluminum foil to shield any bone tips or thin meat areas. After cooking, check the temperature in several places before letting the meat stand the recommended time. Please note that the temperatures in the following charts are temperatures at removal time; the temperature will rise during the standing period.

Meat	Power level	Cook time	Directions
Roast beef (boneless) (up to 4 lbs.)	High (10) for first 5 minutes, then medium (5)	12–17 min./lb. for 160° F (71°C) (Medium) 14–19 min./lb. for 170° F (76°C) (Well Done)	Place roast beef fat-side down on roasting rack. Cover with wax paper. Turn over half way through cooking. Let stand 10–15 minutes.*
Roast pork (boneless or bone-in) (up to 4 lbs.)	High (10) for first 5 minutes, then medium (5)	15–20 min./lb. for 170° F (76°C) (Well Done)	Place roast pork fat-side down on roasting rack. Cover with wax paper. Turn over half way through cooking. Let stand 10–15 minutes.*

*Expect a 10° F rise in the temperature during the standing period.

Stand time

Meat	Doneness	Remove from oven	After standing (10-15 min.)
Beef	Medium	150°F (65°C)	160°F (71°C)
	Well done	160°F (71°C)	170°F (77°C)
Pork	Medium	150°F (65°C)	160°F (71°C)
	Well done	160°F (71°C)	170°F (77°C)
Poultry	Dark meat	150°F (65°C)	150°F (65°C)
	Light meat	160°F (71°C)	160°F (71°C)

Cooking poultry in your microwave

Be sure to place poultry on a microwave-safe roasting rack in a microwave-safe dish. Cover poultry with wax paper to prevent splattering. Use narrow strips of

aluminum foil to shield any bone tips or thin meat areas, or areas that start to overcook. After cooking, check the temperature in several places before letting the meat stand the recommended time.

Meat	Power level	Cook time	Directions
Whole chicken (up to 4 lbs.)	medium high (7) 180° F (82°C) dark meat 170° F (76°C) dark meat	7–10 min. /lb	Place chicken breast-side down on roasting rack. Cover with wax paper. Turn over halfway through cooking. Cook until juices run clear and meat near bone is no longer pink. Let stand for 5–10 min.
Chicken pieces (up to 4 lbs.)	medium high (7) 180° F (82°C) dark meat 170° F (76°C) dark meat	7–10 min. /lb	Place chicken bone-side down on dish, with thickest portions toward the inside of dish. Cover with wax paper. Turn over halfway through cooking. Cook until juices run clear and meat near bone is no longer pink. Let stand for 5–10 min.

Cooking eggs in your microwave

- Never cook eggs in the shell and never warm hard-cooked eggs in the shell; they can explode.
- Always pierce yolk on whole eggs to keep them from bursting.
- Cook eggs just until set; they will become tough if overcooked.
- Cooking scrambled eggs is safe.

- Most of the time, the denser the food, the longer the required standing time. For example, a baked potato should stand for 5 minutes before serving, while a dish of peas may be served immediately.

Cooking vegetables in your microwave

- Vegetables should be washed just before cooking. Rarely is extra water needed. If dense vegetables such as potatoes or carrots are being cooked, add about ¼ cup of water.
- Small vegetables (sliced carrots, peas, lima beans, etc.) will cook faster than larger vegetables.
- Whole vegetables, such as potatoes, acorn squash or corn on the cob, should be arranged in a circle on the turntable before cooking. They will cook more evenly if turned over halfway through cooking.
- Always place vegetables like asparagus and broccoli with the stem ends pointing towards the edge of the dish and the tips toward the center.
- When cooking cut vegetables, always cover the dish with a lid or vented microwavable plastic wrap.
- Whole, unpeeled vegetables such as potatoes, sweet potatoes, squash, eggplant, etc., should have their skin pricked in several locations before cooking to prevent them from bursting.
- For more even cooking, stir or rearrange whole vegetables halfway through the cook time.

Cooking seafood in your microwave

Be sure to place fish on a microwave-safe roasting rack in a microwave-safe dish. Be sure to always cook fish until it flakes easily with a fork. Use a tight cover to steam fish; a lighter cover of wax paper or paper towel provides less steaming. And be sure not to overcook fish; check it for doneness at a minimum cooking time before cooking longer.

Seafood	Power level	Cook time	Directions
Fish steaks up to 1½ lbs	medium high (7)	7–11 min. /lb	Arrange fish on roasting rack with meaty portions towards the outside of rack. Cover with wax paper. Turn over and rearrange halfway through cook time. Cook until fish flakes easily with fork. Let stand 3–5 mins.
Fish fillets up to 1½ lbs.	medium high (7)	7–11 min. /lb	Arrange fillets in a baking dish, turning any thin pieces under. Cover with wax paper. If over ½ inch thick, turn over and rearrange halfway through cook time. Cook until fish flakes easily with fork. Let stand 2–3 mins.
Shrimp up to 1½ lbs.	medium high (7)	7–11 min. /lb	Arrange shrimp in a baking dish without overlapping or layering. Cover with wax paper. Cook until firm and opaque, stirring 2 or 3 times. Let stand 5 mins.

Cleaning and Maintenance

▲ WARNING

Be sure the entire appliance (including the grease filters and light bulbs) has cooled and grease has solidified before attempting to clean any part of the appliance.

Cleaning

Cleaning Guide

- For best performance and for safety reasons, keep the oven clean inside and outside. Take special care to keep the inner door panel and oven front frame free of food and grease build-up.

- Never use abrasive scouring powder or pads on the microwave. Wipe the microwave oven inside and out with a soft cloth and warm (not hot) mild detergent solution. Rinse and wipe completely dry.
- Wipe spatters immediately with a wet paper towel, especially after cooking greasy foods like chicken or bacon.
- Clean your microwave oven weekly or more often, if needed.
- Never operate the oven without food in the oven cavity; this can damage the magnetron tube or glass tray. You may wish to leave a cup of water standing inside the oven when it is not in use to prevent damage if the oven is accidentally turned on.

Part	Recommendations
Oven cavity	Keep inside (cavity) of the oven clean. Food particles and spilled liquids can stick to the oven walls, causing the oven to work less efficiently. Wipe up spills immediately. Use a damp, clean cloth and mild soap. DO NOT use harsh detergents or abrasive cleaners. To help loosen baked-on food particles or liquids, heat 2 cups of water (add the juice of 1 lemon if you desire to keep the oven fresh smelling) in a 4 cup microwave-safe dish at High power for 5 minutes or until boiling. Let stand in oven cavity for 1 or 2 minutes.
Wire rack	Wash with soapy water. Rinse thoroughly and dry, or gently rub with cleansing powder or soap-filled pads as directed.
Glass turntable tray	Remove glass turntable tray from the oven when cleaning the oven cavity and tray. NOTICE: To prevent the glass turntable from breaking, handle with care and do not put it in water immediately after cooking. Wash the glass turntable tray in warm soapy water or in the dishwasher.
Turntable roller rest	Clean with warm, soapy water. Rinse thoroughly and dry.
Door glass	Wash with soap and water or glass cleaner. Use Fantastik® or Formula 409® on a clean sponge or paper towel and wipe clean. Avoid using abrasive cleaners, like powder cleaning agents, steel wool pads and oven cleaners. If steam accumulates inside or outside the oven door, wipe with a soft cloth. Steam can accumulate when operating the oven in high humidity and in no way indicates microwave leakage.

Part	Recommendations
Painted surfaces	Clean with hot soapy water or apply Fantastik® or Formula 409® to a clean sponge or paper towel and wipe clean. Avoid using abrasive cleaners, like powder cleaning agents, steel wool pads and oven cleaners.
Stainless steel surfaces	Always wipe or rub in the direction of the grain. Clean with a soapy sponge, then rinse and dry, or wipe with Fantastik® sprayed on a paper towel. Protect and polish with Stainless Steel Magic® and a soft cloth. Remove water spots with a cloth dampened with white vinegar. Do not use any cleanser that contains chlorine as these may rust the stainless steel
Plastic & Controls	When cool, clean with soapy water, rinse and dry.
Printed areas (words & numbers)	Do not use abrasive cleaners or petroleum based solvents.

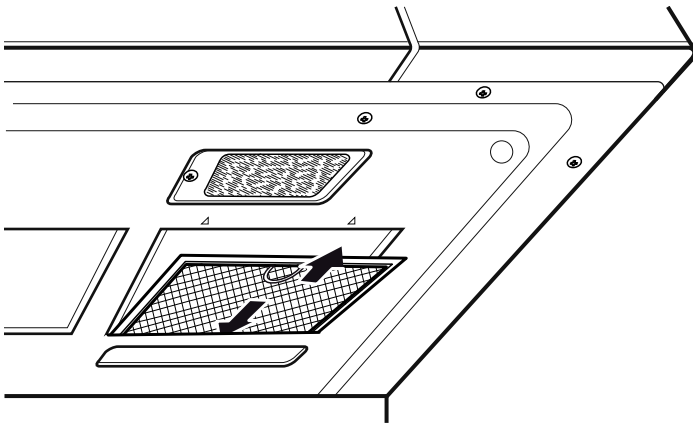
Cleaning the oven vent filters

The oven ventilation filters should be removed and cleaned often; generally at least once every month.

⚠ CAUTION

To avoid risk of personal injury or property damage, do not operate oven vent without filters properly in place.

1. To remove the ventilation filters, slide the filter to the rear. Then pull filter downward and push to the other side. The filter will drop out. Repeat for the 2nd filter.



2. Soak the ventilation filters in hot water using a mild detergent. Rinse well and shake to dry. Do not use ammonia or wash in a dishwasher. The aluminum on the filter will corrode and darken.
3. To reinstall an oven ventilation filter, slide it into the side slot, then push up and toward oven to lock. Reinstall the 2nd filter using the same procedure.

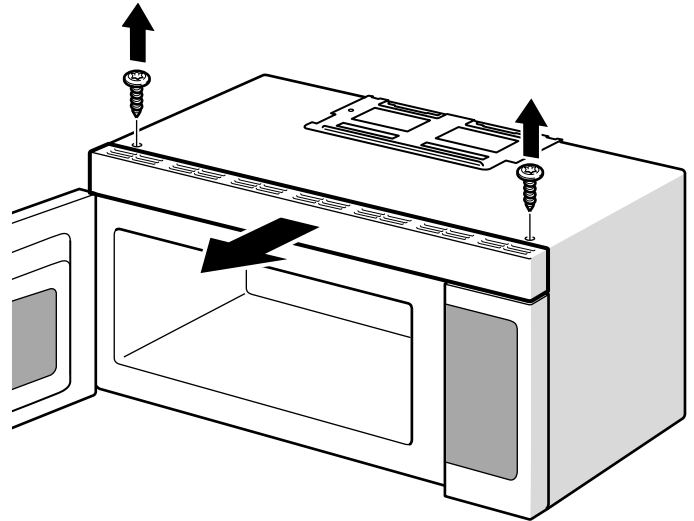
Maintenance

Charcoal filter replacement

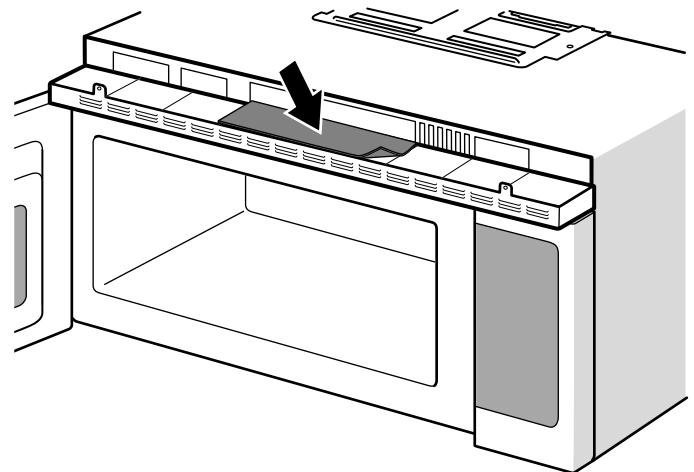
The charcoal filter, which was included with your microwave oven, is used for nonvented, recirculated installation (Room Venting). The filter should be replaced every 6 to 12 months depending on use.

1. Disconnect power to the microwave oven at the circuit breaker panel or by unplugging.
2. Remove the vent grill mounting screws.

3. Pull the vent grill away from the unit.



4. Change the charcoal filter.



5. Carefully push the vent grill back into place and replace the screws removed in Step 2.

Note: If no charcoal filter is installed, it is not possible to bind the odorous substances in the cooking vapors.

Replacement filters can be purchased from the Bosch eshop, www.bosch-home.com/us/store.

Part number 00676120

Troubleshooting

If you encounter a problem, it often will merely be something minor. Before you call customer service, consider the suggestions and instructions below:

Problem	Suggestion
Neither the microwave's display nor oven operates.	<ul style="list-style-type: none">• Properly insert the plug into a grounded power outlet.• Remove the plug from the outlet, wait 10 seconds, then plug the microwave in again.• Reset the household circuit breaker or replace any blown fuses.• Plug a different appliance into the power outlet. If the other appliance will not operate, have a qualified electrician repair the outlet.• Plug the microwave into a different power outlet.
Oven display works, but the oven will not operate.	<ul style="list-style-type: none">• Make sure the oven door is closed securely and completely.• Check to see if packing material or other materials are stuck to the door seal.• Check for damage to the oven door.• Press the Clear/Off key twice and attempt to re-enter cooking instructions.
Power goes off before the cook time has elapsed.	<ul style="list-style-type: none">• If there has been a power interruption, remove the plug from the outlet; wait 10 seconds, then plug the microwave in again. If there was a power outage, the time indicator in the display will show 00:00.• Reset the clock and any cooking instructions.• Reset the household circuit breaker or replace any blown fuses.• Press the Clear/Off key twice and attempt to re-enter cooking instructions.• Plug a different appliance into the power outlet. If the other appliance will not operate, have a qualified electrician repair the outlet.• Plug the microwave into a different power outlet.
Food is cooking too slowly.	Make sure the oven is on a separate 20 amp circuit line. Operating another appliance on the same circuit can cause a voltage drop. If necessary, move the microwave to its own circuit.
Microwave is sparking, arcing occurs.	Remove any metallic utensils, cookware or metal ties from the oven cavity. If using aluminum foil, use only narrow strips and allow at least one inch between the foil and the interior oven walls.
Turntable makes noises or sticks.	<ul style="list-style-type: none">• Clean the turntable, roller ring and oven cavity bottom.• Make sure the turntable and roller ring are positioned correctly.
Using the microwave causes TV or radio interference.	This is similar to the interference caused by other small appliances, such as hair dryers. Move your microwave further away from other appliances, like your TV or radio.
LED lights are not working.	Please contact Customer Service.

Note: If the oven is set to cook for more than 30 minutes at 100% power level, it will automatically adjust itself to a 80% power level after 30 minutes to avoid overcooking.

Bosch® Support

Before Calling Service

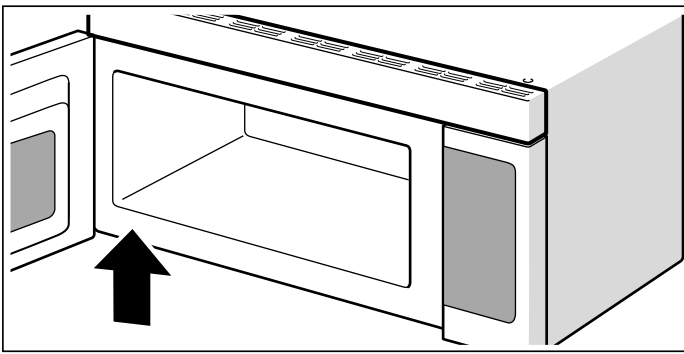
See the Use and Care Manual for troubleshooting information. Refer to the "Statement of Limited Product Warranty" in the Use and Care Manual.

To reach a service representative, see the contact information at the front of the manual or in the following section. Please be prepared with the information printed on your product data plate prior to calling.


Data Plate

The data plate shows the model and serial number. Refer to the data plate on the appliance when requesting service.

The data plate can be found on the inside of the appliance.



To avoid having to search for each piece of information when calling, you can enter the four items needed in the spaces provided below.

Model No.
FD-No.
Date of Purchase
Customer Service 

Keep your invoice or escrow papers for warranty validation if service is needed.

Service

We realize that you have made a considerable investment in your kitchen. We are dedicated to supporting you and your appliance so that you have many years of creative cooking.

Please don't hesitate to contact our Customer Support Department if you have any questions or in the unlikely event that your Bosch® appliance needs service. Our service team is ready to assist you.

USA

800-944-2904

www.bosch-home.com/us/support

Canada

800-944-2904

www.bosch-home.ca/en/support

Parts and Accessories

Parts, filters, descalers, stainless steel cleaners and more can be purchased in the Bosch® eShop or by phone.

USA

www.bosch-home.com/us/store

Canada

Marcone 800-482-6022

or

Reliable Parts 800-941-9217

STATEMENT OF LIMITED PRODUCT WARRANTY

What this Warranty Covers & Who it Applies to

The limited warranty provided by BSH Home Appliances Corporation ("BSH") in this Statement of Limited Product Warranty applies only to the Bosch appliance ("Product") sold to you, the first using purchaser, provided that the Product was purchased:

- For your normal, household (non-commercial) use, and has in fact at all times only been used for normal household purposes.
- New at retail (not a display, "as is", or previously returned model), and not for resale, or commercial use.
- Within the United States or Canada, and has at all times remained within the country of original purchase.

The warranties stated herein apply only to the first purchaser of the Product and are not transferable.

BSH reserves the right to request proof of purchase at the time any warranty claim is submitted to confirm that the Product falls within the scope of this limited product warranty.

Please make sure to return your registration card; while not necessary to effectuate warranty coverage, it is the best way for BSH to notify you in the unlikely event of a safety notice or product recall.

How Long the Warranty Lasts

BSH warrants that the Product is free from defects in materials and workmanship for a period of three hundred sixty-five (365) days from the date of purchase. The foregoing timeline begins to run upon the date of

purchase, and shall not be stalled, tolled, extended, or suspended, for any reason whatsoever.

This Product is also warranted to be free from *cosmetic* defects in material and workmanship (such as scratches of stainless steel, paint/porcelain blemishes, chip, dents, or other damage to the finish of the Product), for a period of thirty (30) days from the date of purchase or closing date for new construction. This *cosmetic* warranty excludes slight color variations due to inherent differences in painted and porcelain parts, as well as differences caused by kitchen lighting, product location, or other similar factors. This *cosmetic* warranty specifically excludes any display, floor, "As Is", or "B" stock appliances.

Repair/Replace as Your Exclusive Remedy

During this warranty period, BSH or one of its authorized service providers will repair your Product without charge to you (subject to certain limitations stated herein) if your Product proves to have been manufactured with a defect in materials or workmanship. If reasonable attempts to repair the Product have been made without success, then BSH will replace your Product (upgraded models may be available to you, in BSH's sole discretion, for an additional charge). All removed parts and components shall become the property of BSH at its sole option. All replaced and/or repaired parts shall assume the identity of the original part for purposes of this warranty and this warranty shall not be extended with respect to such parts. BSH's sole liability and responsibility hereunder is to repair manufacturer-defective Product only, using a BSH-authorized service provider during normal business hours. For safety and property damage concerns, BSH highly recommends that you do not attempt to repair the Product yourself, or use an un-authorized servicer; BSH will have no responsibility or liability for repairs or work performed by a non-authorized servicer. If you choose to have someone other than an authorized service provider work on your Product, THIS WARRANTY WILL AUTOMATICALLY BECOME NULL AND VOID. Authorized service providers are those persons or companies that have been specially trained on BSH products, and who possess, in BSH's opinion, a superior reputation for customer service and technical ability (note that they are independent entities and are not agents, partners, affiliates or representatives of BSH). Notwithstanding the foregoing, BSH will not incur any liability, or have responsibility, for the Product if it is located in a remote area (more than 100 miles from an authorized service provider) or is reasonably inaccessible, hazardous, threatening, or treacherous locale, surroundings, or environment; in any such event, if you request, BSH would still pay for labor and parts and ship the parts to the nearest authorized service provider, but you would still be fully liable and responsible for any travel time or other special charges by the service company, assuming they agree to make the service call.

Out of Warranty Product

BSH is under no obligation, at law or otherwise, to provide you with any concessions, including repairs, pro-rates, or Product replacement, once this warranty has expired.

Warranty Exclusions

The warranty coverage described herein excludes all defects or damage that are not the direct fault of BSH, including without limitation, one or more of the following:

- Use of the Product in anything other than its normal, customary and intended manner (including without limitation, any form of commercial use, use or storage of an indoor product outdoors, use of the Product in conjunction with air or water-going vessels).
- Any party's willful misconduct, negligence, misuse, abuse, accidents, neglect, improper operation, failure to maintain, improper or negligent installation, tampering, failure to follow operating instructions, mishandling, unauthorized service (including self-performed "fixing" or exploration of the appliance's internal workings).
- Adjustment, alteration or modification of any kind.
- A failure to comply with any applicable state, local, city, or county electrical, plumbing and/or building codes, regulations, or laws, including failure to install the product in strict conformity with local fire and building codes and regulations.
- Ordinary wear and tear, spills of food, liquid, grease accumulations, or other substances that accumulate on, in, or around the Product.
- Any external, elemental and/or environmental forces and factors, including without limitation, rain, wind, sand, floods, fires, mud slides, freezing temperatures, excessive moisture or extended exposure to humidity, lightning, power surges, structural failures surrounding the appliance, and acts of God.

In no event shall BSH have any liability or responsibility whatsoever for damage to surrounding property, including cabinetry, floors, ceilings, and other structures or objects around the Product. Also excluded from this warranty are Products on which the serial numbers have been altered, defaced, or removed; service visits to teach you how to use the Product, or visits where there is nothing wrong with the Product; correction of installation problems (you are solely responsible for any structure and setting for the Product, including all electrical, plumbing or other connecting facilities, for proper foundation/flooring, and for any alterations including without limitation cabinetry, walls, floors, shelving, etc.); and resetting of breakers or fuses.

TO THE EXTENT ALLOWED BY LAW, THIS WARRANTY SETS OUT YOUR EXCLUSIVE REMEDIES WITH RESPECT TO PRODUCT, WHETHER THE CLAIM ARISES IN CONTRACT OR TORT (INCLUDING STRICT LIABILITY, OR NEGLIGENCE) OR OTHERWISE. THIS WARRANTY IS IN LIEU OF ALL OTHER WARRANTIES, WHETHER EXPRESS OR IMPLIED. ANY WARRANTY IMPLIED BY LAW, WHETHER FOR MERCHANTABILITY OR FITNESS FOR A PARTICULAR PURPOSE, OR OTHERWISE, SHALL BE EFFECTIVE ONLY FOR THE PERIOD THAT THIS EXPRESS LIMITED WARRANTY IS EFFECTIVE. IN NO EVENT WILL THE MANUFACTURER BE LIABLE FOR CONSEQUENTIAL, SPECIAL, INCIDENTAL, INDIRECT, "BUSINESS LOSS", AND/OR PUNITIVE DAMAGES, LOSSES, OR EXPENSES, INCLUDING WITHOUT LIMITATION TIME AWAY FROM WORK, HOTELS AND/OR RESTAURANT MEALS, REMODELLING EXPENSES

IN EXCESS OF DIRECT DAMAGES WHICH ARE DEFINITELY CAUSED EXCLUSIVELY BY BSH, OR OTHERWISE. SOME STATES DO NOT ALLOW THE EXCLUSION OR LIMITATION OF INCIDENTAL OR CONSEQUENTIAL DAMAGES, AND SOME STATES DO NOT ALLOW LIMITATIONS ON HOW LONG AN IMPLIED WARRANTY LASTS, SO THE ABOVE LIMITATIONS MAY NOT APPLY TO YOU. THIS WARRANTY GIVES YOU SPECIFIC LEGAL RIGHTS, AND YOU MAY ALSO HAVE OTHER RIGHTS WHICH VARY FROM STATE TO STATE. No attempt to alter, modify or amend this warranty shall be effective unless authorized in writing by an officer of BSH.

Table des Matières

Définitions de Sécurité	28	Garder chaud	45
▲ MESURES DE PRÉCAUTION POUR ÉVITER L'EXPOSITION EXCESSIVE À L'ÉNERGIE MICRO-ONDE	28	Autres modes	45
CONSIGNES DE SÉCURITÉ IMPORTANTES	29	Tableaux de cuisson	46
INSTRUCTIONS DE MISE À LA TERRE	29	Cuisson de la viande dans le four à micro-ondes	46
Interférences radio/télévision	30	Cuisson de la volaille dans le four à micro-ondes	46
Utilisation prévue	30	Cuisson des œufs dans le micro-ondes	47
Sécurité des enfants	30	Cuisson de légumes dans votre micro-ondes	47
Consignes en matière de nettoyage	30	Cuisson de fruits de mer dans le micro-ondes	47
Sécurité de cuisson	31	Nettoyage et entretien	48
En cas d'incendie	31	Nettoyage	48
Liquides	31	Entretien	49
Articles de cuisson	32	Dépannage	50
Utensiles de cuisson	32	Soutien Bosch®	51
Plateau en verre/Anneau du plateau tournant	33	Avant d'appeler le service de dépannage	51
Fonctionnement du mode d'évacuation	33	Plaque signalétique	51
Thermomètres	33	Service	51
Pacemakers	33	Pièces et accessoires	51
Avertissements de la Proposition 65 de l'État de la Californie	33	ÉNONCÉ DE LA GARANTIE LIMITÉE	52
Fonctionnement du moteur du ventilateur	33	Couverture de la garantie :	52
Ventilation dans la pièce avec filtre à charbon	33	Durée de la garantie	52
Causes des dommages	34	Réparation ou remplacement comme solution exclusive	52
Protection de l'environnement	34	Produit hors garantie	52
Mise en route	35	Exclusions à la garantie	52
Pièces	35		
Panneau de commande	35		
Accessoires	36		
Avant la première utilisation	38		
Accessoires de nettoyage	38		
Appliquer l'étiquette de programme	38		
Fonctionnement	38		
Réglage de l'horloge	38		
Réglage de la minuterie de cuisine	38		
Fonctionnement du ventilateur d'aération	38		
Allumage et extinction de l'éclairage de surface	38		
Mise sous tension et hors tension de la plaque tournante	39		
Réglage du micro-ondes	39		
Ajout de temps de cuisson (+30 secondes)	40		
Décongélation automatique	40		
Capteur réchauffage	42		
Capteur cuisson	42		
Verrouillage du panneau	43		
Réglages	44		
Fonctionnement commode	44		
Popcorn	44		
Boisson	44		

Vous trouverez des informations supplémentaires concernant les produits, accessoires, pièces de rechange et services sur Internet sous :

www.bosch-home.com et la boutique en ligne : **www.bosch-eshop.com**

Cet appareil électroménager de Bosch est fait par
BSH Home Appliances Corporation
1901 Main Street, Suite 600
Irvine, CA 92614

Questions?

1-800-944-2904

www.bosch-home.com

Nous attendons de vos nouvelles !

Définitions de Sécurité

▲ AVERTISSEMENT

Le non-respect de cet avertissement peut entraîner la mort ou des blessures graves.

▲ ATTENTION

Le non-respect de cet avertissement peut entraîner des blessures mineures ou modérées.

AVIS : Vous indique que des dommages à l'appareil ou aux biens peuvent survenir si vous ne respectez pas cet avertissement.

Remarque : Vous signale des informations importantes ou des conseils.

▲ MESURES DE PRÉCAUTION POUR ÉVITER L'EXPOSITION EXCESSIVE À L'ÉNERGIE MICRO-ONDE

MESURES DE PRÉCAUTION POUR ÉVITER L'EXPOSITION EXCESSIVE À L'ÉNERGIE MICRO-ONDE

(1) Lorsque vous faites fonctionner l'appareil, ne laissez pas la porte du four ouverte car l'exposition à l'énergie micro-onde peut être nocive. Il est important de ne pas endommager les verrous de sécurité et de ne pas essayer de les forcer.

(2) Aucun objet ne doit empêcher la porte du four de bien se refermer et ne laissez pas les résidus d'aliments ou de produit d'entretien s'accumuler sur les joints d'étanchéité.

(3) Ne faites pas fonctionner le four s'il est endommagé. Il est particulièrement important que la porte du four puisse être refermée correctement, et donc que les pièces suivantes ne soient pas endommagées:

- porte (bosselée)
- charnières et loquets (brisés ou desserrés)
- joints de porte et surfaces d'étanchéité.

(4) Confier toute réparation ou réglage uniquement à un personnel autorisé par l'usine. Toute installation, réparation ou maintenance inadéquate peut entraîner des blessures ou des dommages matériels. Se reporter à ce manuel pour obtenir des conseils sur la façon de procéder. Toute réparation doit être confiée à un centre de service agréé par l'usine.

CONSIGNES DE SÉCURITÉ IMPORTANTES

LISEZ TOUTES LES INSTRUCTIONS AVANT D'UTILISER L'APPAREIL

AVERTISSEMENT

Pour réduire le risque de brûlures, de chocs d'électrocution, de feu, de blessures ou d'exposition à une énergie micro-ondes excessive, lisez toutes les instructions avant d'utiliser l'appareil.

AVERTISSEMENT

Si les informations contenues dans ce manuel ne sont pas suivies à la lettre, un incendie ou un choc électrique peuvent se produire et entraîner des dommages matériels ou des préjudices personnels.

Quand vous utilisez des appareils électriques, observez les consignes de sécurité de base, y compris ce qui suit :

Lisez et observez les précautions spécifiques «**POUR ÉVITER L'EXPOSITION POSSIBLE À UNE ÉNERGIE MICRO-ONDES EXCESSIVE**» que vous trouverez dans le chapitre Consignes de sécurité.

Cet appareil doit être mis à la terre. Raccordez l'appareil uniquement à une prise de courant correctement mise à la terre (voyez INSTRUCTIONS DE MISE À LA TERRE).

Installez ou aménagez cet appareil uniquement en conformité avec les instructions d'installation fournies.

Certains produits comme des œufs entiers et des contenants scellés – par exemple, des pots en verre scellés – peuvent éclater et ne doivent pas être chauffés dans ce four.

Utilisez cet appareil uniquement dans le cadre de l'utilisation prévue tel que décrit dans ce manuel.

N'utilisez pas de produits chimiques corrosifs ou des vapeurs dans cet appareil. Ce type de four est conçu spécifiquement pour chauffer, pour cuire ou pour sécher les aliments. Il n'est pas conçu pour un usage industriel ou en laboratoire.

Comme pour tout autre appareil électrique, l'utilisation de cet appareil par les enfants doit se faire sous étroite surveillance. (Voir SÉCURITÉ DES ENFANTS).

L'entretien de cet appareil doit être confié uniquement à un personnel de service autorisé. Contactez le centre de service autorisé le plus proche pour un examen, une réparation ou un réglage.

Ne couvrez pas ou bloquez les événements ou ouvertures de l'appareil.

Ne rangez pas cet appareil à l'extérieur. N'utilisez pas ce produit à proximité de l'eau – par exemple, près d'un évier de cuisine, dans un sous-sol humide, près d'une piscine ou d'emplacements similaires.

Ne plongez pas le cordon ou la fiche dans l'eau.

Tenez le cordon à l'écart de surfaces chauffantes.

Ne laissez pas le cordon suspendre par dessus le bord d'une table ou d'un comptoir.

N'utilisez pas cet appareil si le cordon ou la fiche est endommagé, s'il ne fonctionne pas correctement ou s'il a été endommagé ou a été échappé.

Lors du nettoyage des surfaces de la porte et du four qui se joignent ensemble à la fermeture de la porte, utilisez seulement des savons ou des détergents légers, non abrasifs appliqués avec une éponge ou un chiffon doux. Voyez les directives de nettoyage des surfaces de porte dans le chapitre «Nettoyage et entretien».

Pour réduire le risque de feu dans la cavité du four :

- Ne cuisez pas trop les aliments. Surveillez attentivement l'appareil quand des matériaux en papier, plastique et autres combustibles sont insérés à l'intérieur du four pour faciliter la cuisson.
- Retirez les attaches métalliques des sacs de papier ou de plastique avant de placer le sac dans le four.
- Si des matériaux à l'intérieur du four s'enflamment, gardez la porte du four fermée, éteignez le four et débranchez le cordon d'alimentation ou coupez l'alimentation au panneau de fusibles ou de disjoncteur.
- N'utilisez pas la cavité aux fins de rangement. Ne laissez pas des produits de papier, des ustensiles de cuisson ou des aliments dans la cavité lorsque celle-ci ne sert pas.

AVERTISSEMENT

RISQUE DE BLESSURE

La lumière des lampes DEL est très éblouissante et peut causer des lésions aux yeux (groupe de risque 1). Ne pas regarder plus de 100 secondes directement les lampes DEL allumées.

AVERTISSEMENT

RISQUE DE BLESSURES

La lumière des lampes LED est très éblouissante et peut causer des dommages aux yeux (groupe de risque 1M, selon EN 60825-1). Ne pas fixer les lampes LED allumées avec des accessoires optiques comme des jumelles ou des loupes.

INSTRUCTIONS DE MISE À LA TERRE

Cet appareil doit être mis à la terre. En cas de court-circuit électrique, la mise à la terre réduira le risque de choc électrique en offrant au courant électrique un fil d'évacuation. Ce four est équipé d'un cordon ayant un fil de mise à la terre avec une prise de mise à la terre. La fiche doit être branchée dans une prise qui a été installée et mise à la terre de façon conforme.

ATTENTION - Si la mise à la terre n'est pas faite de manière conforme, il existe un risque de choc électrique. Consultez un électricien qualifié si vous ne comprenez pas parfaitement les instructions de mise à la terre ou si vous avez des doutes quant à la qualité de mise à la terre.

CONSIGNES DE SÉCURITÉ IMPORTANTES

LISEZ TOUTES LES INSTRUCTIONS AVANT D'UTILISER L'APPAREIL

N'utilisez pas de rallonge. Si le cordon d'alimentation du produit est trop court, demandez à un électricien qualifié d'installer une prise à trois fiches. Ce four devrait être branché dans un circuit de 60 hertz séparé avec une capacité électrique telle que montrée dans le tableau des spécifications. Lorsque le four est branché sur un circuit avec un autre équipement, une augmentation des temps de cuisson pourrait être requise et les fusibles pourraient griller.

Le micro-ondes est alimenté à partir d'un courant résidentiel standard de 100 – 120 V.

Interférences radio/télévision

Cet appareil génère et utilise de l'énergie à fréquence ISM. S'il n'est pas installé et utilisé correctement, en stricte conformité avec les directives du fabricant, il pourrait perturber la réception des ondes radio et télévision. Il a été testé et trouvé conforme avec les limites régissant les équipements ISM conformément à la partie 18 des règlements FCC, qui sont conçus pour fournir une protection raisonnable contre une telle interférence dans une installation résidentielle. Toutefois, il n'y a aucune garantie qu'une interférence ne se produira pas dans une installation particulière. Allumez et éteignez l'appareil pour déterminer s'il est à l'origine de l'interférence. Essayez les mesures suivantes pour corriger l'interférence :

- Nettoyez la porte et la surface d'étanchéité du four.
- Réorientez l'antenne réceptrice de la radio ou de la télévision.
- Relocalisez le four à micro-ondes par rapport au récepteur.
- Éloignez le four à micro-ondes du récepteur.
- Branchez le micro-ondes dans une prise différente de sorte que le four et le récepteur soient branchés sur des circuits différents.

Le fabricant n'est pas responsable de toute interférence radio ou télévision causée par une modification non autorisée de ce four à micro-ondes. C'est à l'utilisateur qu'il incombe de corriger une telle interférence.

Utilisation prévue

Cet appareil est destiné uniquement à une utilisation domestique normale. Il n'est pas homologué pour un usage en extérieur. Voyez la Énoncé de la Garantie Limitée. Si vous avez des questions, communiquez avec le fabricant.

N'utilisez pas la cavité aux fins de rangement. Ne laissez pas des produits de papier, des ustensiles de cuisson ou des aliments dans la cavité lorsque celle-ci ne sert pas. N'utilisez pas le four lorsque l'humidité de la pièce est excessive.

Ce four peut être utilisé au-dessus des équipements de cuisson à gaz et électriques de 36 po (914 mm) de largeur ou moins.

Sécurité des enfants

Ne pas permettre aux enfants d'utiliser cet appareil sauf sous la surveillance attentive d'un adulte. Ne pas laisser les enfants et les animaux seuls ou sans surveillance lorsque l'appareil, que ce dernier soit en service ou non. Lorsque les enfants sont assez âgés pour utiliser l'appareil, il incombe aux parents ou tuteurs légaux de veiller à ce qu'ils soient formés aux pratiques sécuritaires par des personnes qualifiées.

Ne permettre à personne de grimper, rester debout, s'appuyer, s'asseoir ou se pencher sur toute partie d'un appareil, notamment une porte, un tiroir-réchaud ou un tiroir de rangement. Ceci peut endommager l'appareil qui risque de basculer et causer des blessures sérieuses.

Consignes en matière de nettoyage

Nettoyez fréquemment les filtres d'échappement - Ne laissez pas la graisse s'accumuler sur la hotte ou les filtres. Il pourrait en résulter un incendie.

Redoublez de vigilance quand vous nettoyez les filtres d'échappement. Les agents de nettoyage corrosifs, comme les nettoyeurs pour four à base de soude caustique, peuvent endommager le filtre (voyez la section NETTOYAGE dans ce manuel).

Nettoyez le repose-rouleau de la plaque tournante et le plancher de four fréquemment pour empêcher un bruit excessif.

ATTENTION

La graisse laissée sur les filtres peut refondre et s'infiltrer dans l'évent.

AVERTISSEMENT

Assurez-vous que l'appareil tout entier (y compris les filtres de graisse et les ampoules) s'est refroidi et que la graisse s'est solidifiée avant de tenter de nettoyer une partie quelconque de l'appareil.

⚠ CONSIGNES DE SÉCURITÉ IMPORTANTES

LISEZ TOUTES LES INSTRUCTIONS AVANT D'UTILISER L'APPAREIL

Sécurité de cuisson

ATTENTION

Pour éviter les blessures corporelles ou les dégâts matériels, veuillez suivre les consignes suivantes :

- Ne laissez pas le four sans surveillance pendant qu'il est en marche.
- N'entreposez pas de matières inflammables près ou dans le four.
- Lorsque vous flambez des aliments sous le micro-ondes, allumez toujours le ventilateur.
- Ne faites pas fonctionner le four à vide. Cela pourrait endommager le four et entraîner un risque d'incendie.
- N'entreposez pas et n'utilisez pas des produits chimiques corrosifs, des vapeurs, des matériaux inflammables ou des produits non alimentaires près ou dans cet appareil. Cet appareil est spécialement conçu pour chauffer ou cuire la nourriture. L'emploi de produits chimiques corrosifs dans la cuisson ou le nettoyage endommagera l'appareil et pourrait causer des blessures.
- Ne séchez pas les vêtements, les journaux ou autres matériaux dans le four. N'utilisez pas des journaux ou des sacs de papier pour la cuisson. Il pourrait en résulter un incendie.
- N'utilisez pas des produits fabriqués de papier recyclé à moins que leur sécurité au micro-ondes soit attestée. Ils pourraient contenir des impuretés pouvant causer des étincelles et provoquer un incendie.
- Utilisez des poignées pour retirer les éléments du four. Le récipient de cuisson et le plateau de verre peuvent être chauds même si le four est froid.
- Dans la mesure du possible, ne mettez pas en marche le système de ventilation pendant un feu de table de cuisson. Toutefois, ne passez pas la main à travers le feu pour l'éteindre.
- Ne montez pas l'appareil au-dessus d'un évier.
- Ne rangez aucun objet directement sur le dessus de l'appareil lorsque l'appareil est en cours de fonctionnement.
- La nourriture ou les ustensiles métalliques surdimensionnés ne devraient pas être placés dans le micro-ondes, car ils pourraient entraîner des risques de décharge électrique ou d'incendie.
- Ne nettoyez pas le four avec des éponges à récurer métalliques. Des morceaux peuvent brûler et se détacher des éponges et entrer en contact avec des composantes électriques, ce qui pourrait entraîner un risque de décharge électrique.

- N'entreposez pas de matériaux dans ce four, autres que les accessoires recommandés par le fabricant, lorsqu'il n'est pas utilisé.
- Ne recouvrez pas les grilles ou toute autre partie du four de feuilles métalliques. Cela causerait une surchauffe du four.
- Ne pas utiliser des produits de papier lorsque l'appareil est utilisé en mode grill.

AVERTISSEMENT

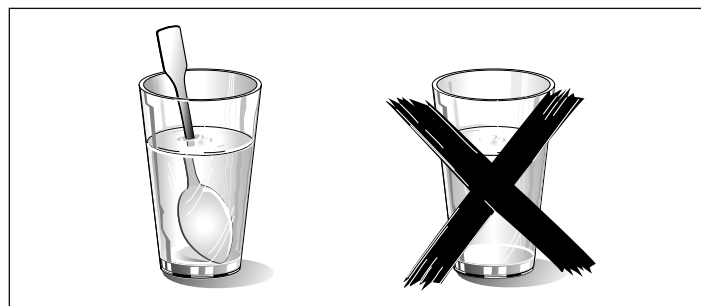
Ne pas utiliser les brûleurs de la table de cuisson au gaz sans chaudron en place. La flamme nue pourrait surchauffer le four à micro-ondes situé au-dessus.

En cas d'incendie

Si des matériaux à l'intérieur d'un four venaient à prendre feu :

1. Conserver la porte fermée
2. Éteindre l'appareil
3. Débrancher l'appareil ou sortir le fusible ou mettre le disjoncteur à l'arrêt.

Liquides



Des liquides, comme de l'eau, du café ou du thé peuvent surchauffer. Ils peuvent être chauffés au-delà du point d'ébullition sans que cela ne paraisse. Par exemple, le bouillonnement ou l'ébullition lorsque le contenant est retiré du micro-ondes n'est pas toujours présent. CELA POURRAIT RÉSULTER DANS DES LIQUIDES TRÈS CHAUDS QUI BOUILLONNERONT SOUDAINEMENT DÈS LORS QUE LE CONTENANT EST DÉRANGÉ OU QU'UN USTENSILE EST INSÉRÉ DANS LE LIQUIDE.

Lorsque vous faites chauffer des liquides, placez toujours une baguette en verre ou une cuillère dans le contenant. Vous pourrez ainsi éviter un retard d'ébullition.

ATTENTION

Du métal, par exemple, une cuillère dans un verre, doit être conservé à au moins 1 pouce (25 mm) des parois du four et de l'intérieur de la porte. Des étincelles pourraient endommager irrévocablement le verre à l'intérieur de la porte.

⚠️ CONSIGNES DE SÉCURITÉ IMPORTANTES

LISEZ TOUTES LES INSTRUCTIONS AVANT D'UTILISER L'APPAREIL

- Retirez les plats préparés de leur emballage. Ils chaufferont plus rapidement et plus uniformément dans des plats allant au micro-ondes. Les différents composants du repas pourraient nécessiter des temps de cuisson différents.
- Couvrez toujours la nourriture. Si vous ne possédez pas un couvercle adéquat pour votre contenant, utilisez une assiette ou un papier spécial conçu pour le micro-ondes.
- Brassez ou retournez la nourriture plusieurs fois au cours de la cuisson. Vérifiez la température.
- Après la cuisson, laissez la nourriture reposer de 2 à 5 minutes supplémentaires pour obtenir une température uniforme.
- Utilisez toujours un linge ou des gants pour le four lorsque vous retirez des assiettes du four.

Articles de cuisson

Oeufs: Ne faites pas cuire ou réchauffer des œufs entiers, avec ou sans coquille. La vapeur s'accumule dans les œufs, ce qui peut les amener à éclater, et endommager potentiellement le four ou causer des blessures. Le réchauffement d'œufs durs en tranches ou la cuisson d'œufs brouillés ne pose aucun problème.

Popcorn: Utilisez uniquement du popcorn dans des emballages conçus et étiquetés pour usage dans le micro-ondes, ou faites-le éclater dans un éclateur de popcorn pour four à micro-ondes. Suivez les instructions du fabricant du popcorn et utilisez une marque qui convient à l'intensité électrique de votre four. Ne continuez pas de cuire après que le popcorn a cessé d'éclater. Le popcorn risquerait alors de brûler. Ne laissez pas le four sans surveillance.

ATTENTION

Lorsque vous utilisez du popcorn préemballé pour micro-ondes, vérifiez le poids de l'emballage avant d'utiliser la fonction de popcorn. Réglez le four selon le poids de l'emballage du popcorn. Si vous ne suivez pas ces instructions, il se peut que le popcorn ne s'éclate pas correctement et pourrait s'enflammer et causer un incendie.

Aliments avec peau non poreuse : Les pommes de terre, les tomates, les patates douces, les pommes, les courges entières et les saucissons sont des exemples d'aliments avec des peaux non poreuses. Ces types d'aliments doivent être percés avant la cuisson pour les empêcher d'éclater.

Aliments pour nourrissons / lait maternisé: Ne chauffez pas les biberons ou les aliments pour nourrissons dans le four à micro-ondes. Le pot de verre ou la surface de l'aliment pourrait sembler tiède alors que l'intérieur pourrait brûler la bouche et l'œsophage du nourrisson.

Grande friture de gras : N'effectuez pas de grande friture de gras dans le four. L'huile pourrait chauffer très rapidement au-delà de sa température idéale dans un four à micro-ondes. Les températures pourraient monter

à tel point que l'huile de cuisson arrivera au point d'inflammabilité et s'enflammera. L'huile chauffée pourrait bouillonner et être projetée causant des dommages potentiels au four et même des blessures aux personnes. Par ailleurs, les ustensiles micro-ondables pourraient ne pas supporter la température de l'huile chaude et pourraient occasionner le bris de l'ustensile si celui-ci contient une imperfection, une rayure ou une écaille.

Conserves maison / Séchage des aliments / Petites quantités d'aliments : N'utilisez pas le four à micro-ondes pour les conserves maison ou pour le chauffage de tout pot fermé. La pression s'accumulera et le pot pourrait éclater. Par ailleurs, le four ne peut maintenir l'aliment à la bonne température de mise en conserve. Les aliments mis en conserve incorrectement pourraient rancir et être dangereux à consommer. De petites quantités d'aliments ou des aliments à faible contenu d'humidité peuvent s'assécher, brûler ou s'enflammer. Ne séchez pas les viandes, herbes, fruits ou légumes dans votre four.

La cuisson appropriée dépend du temps réglé et du poids de l'aliment. Si vous utilisez une portion plus petite que celle recommandée et faites cuire la portion au temps recommandé, un incendie pourrait en résulter.

Plats de brunissement : Les plats de brunissement ou les grilles du micro-ondes sont conçus uniquement pour la cuisson au micro-ondes. Les temps de préchauffage varient selon la taille du plat de brunissement et de l'aliment à cuire. Suivez toujours les instructions fournies par le fabricant du plat de brunissement ou de la grille. Ne préchauffez pas les plats de brunissement pendant plus de 6 minutes.

Sacs de rôtisserie de four : Si un sac de four est utilisé pour la cuisson au micro-ondes, préparez selon les directions de l'emballage. N'utilisez pas des attaches pour fermer les sacs, utilisez à la place des attaches de nylon, du fil en coton ou d'une bande coupée de l'extrémité ouverte du sac. Pratiquez 6 fentes de 1/2 po (12,4 mm) après la fermeture du sac. Placez le sac de cuisson dans un plat légèrement plus grand que l'aliment à cuire.

Ustensiles de cuisson

Voyez aussi **Guide des ustensiles micro-ondables.**

Les ustensiles de cuisson, les plateaux de verre et les grilles deviennent chauds pendant la cuisson au micro-ondes. Utilisez des supports de casserole lorsque vous retirez les éléments du four. Laissez le plateau de verre et les grilles métalliques se refroidir (le cas échéant) avant de les manipuler.

N'utilisez pas des ustensiles métalliques ou des plats contenant une garniture métallique dans le four.

Lorsque vous utilisez de la feuille en aluminium dans le four, prévoyez au moins un espace de un pouce (25,4 mm) entre la feuille et les parois intérieures du four ou la porte.

CONSIGNES DE SÉCURITÉ IMPORTANTES

LISEZ TOUTES LES INSTRUCTIONS AVANT D'UTILISER L'APPAREIL

Le plateau de verre et les grilles métalliques (le cas échéant) deviendront chauds pendant la cuisson. Le récipient de cuisson et le plateau de verre peuvent être chauds même si le four est froid.

N'utilisez jamais des matériaux en papier, plastique ou autres matériaux combustibles non prévus pour la cuisson.

Lorsque vous faites cuire avec des matériaux de papier, de plastique ou autres matériaux combustibles, suivez les recommandations du fabricant. N'utilisez pas des serviettes de papier qui contiennent des fibres de nylon ou des fibres synthétiques. Le chauffage de fibres synthétiques pourrait fondre et amener le papier à s'enflammer.

Ne pas chauffer des contenants scellés ou des sacs de plastique dans le four. L'aliment ou le liquide pourrait se dilater rapidement et causer le bris du contenant ou du sac. Percez ou ouvrez le contenant ou le sac avant la cuisson.

Plateau en verre/Anneau du plateau tournant

N'utilisez pas le four sans repose-rouleau de plaque tournante et la plaque tournante de verre en place.

Ne pas faire fonctionner le four sans avoir mis en place le plateau en verre. Cela évitera tout dommage au four ou de mauvais résultats à la cuisson. Vérifier que le plateau en verre est bien en place et qu'il tourne lorsque le four est en fonctionnement.

Remarque : Le plateau en verre peut tourner dans les deux sens.

Utilisez uniquement la plaque tournante de verre conçue pour ce four. Ne lui substituez aucun autre plat.

Laissez le plat de verre se refroidir avant de le nettoyer ou de le mettre dans l'eau.

Ne placez pas les aliments directement sur le plat de verre. Placez toujours l'aliment dans un plat micro-ondable.

Toujours remettre en place l'anneau du plateau tournant et le plateau en verre dans leur position initiale.

L'anneau du plateau tournant doit toujours être utilisé pour la cuisson ainsi que le plateau en verre.

Fonctionnement du mode d'évacuation

Lorsque la hotte aspirante est utilisée en mode d'évacuation d'air simultanément avec un brûleur différent utilisant également la même cheminée, (tels des appareils de chauffage au gaz, à l'huile ou au charbon, des chauffe-eau instantanés ou des chaudières à eau chaude), veillez à ce que l'apport d'air frais soit suffisant pour assurer la combustion adéquate du brûleur.

AVERTISSEMENT

Évitez l'intoxication au monoxyde de carbone. – Prévoyez une admission d'air adéquate pour empêcher l'aspiration des gaz de combustion dans la pièce.

Thermomètres

N'utilisez pas des thermomètres de cuisson ordinaires dans le four. La plupart des thermomètres de cuisson contiennent du mercure et pourraient causer un arc électrique, une anomalie ou des dommages au four.

Pacemakers

ATTENTION

Pour éviter la défaillance d'un stimulateur cardiaque, consultez le médecin ou le fabricant du stimulateur cardiaque à propos des effets de l'énergie micro-ondes sur le stimulateur cardiaque.

Avertissements de la Proposition 65 de l'État de la Californie

AVERTISSEMENT

Ce produit contient des produits chimiques connus de l'État de la Californie pour causer le cancer, des anomalies congénitales ou d'autres problèmes de reproduction.

Fonctionnement du moteur du ventilateur

Après l'utilisation du four, le moteur du ventilateur continue de tourner afin de refroidir les composants électriques. Cela est parfaitement normal et il est possible de retirer la nourriture du four pendant que le ventilateur est en marche.

Ventilation dans la pièce avec filtre à charbon

Le filtre à charbon livré avec votre four à micro-ondes assure la liaison des matières odorantes.

Remarque : Si le filtre à charbon n'est pas installé, il sera impossible d'assurer la liaison des matières odorantes dans les vapeurs de cuisson.

CONSERVEZ CES INSTRUCTIONS.

Causes des dommages

AVIS:

- Du métal, par exemple, une cuillère dans un verre, doit être conservé à au moins un pouce (25 mm) des parois du four et de l'intérieur de la porte. Des étincelles pourraient endommager irrévocablement le verre à l'intérieur de la porte.
- Eau dans le four chaud : ne jamais verser d'eau dans le four chaud, car cela produit de la vapeur qui peut endommager l'enceinte émaillée sous l'effet du changement de température.
- Ne pas laisser pendant une période prolongée dans le four fermé des produits alimentaires humides, car cela peut favoriser l'apparition de corrosion dans le four.
- Le jus de fruit peut tacher l'enceinte du four. Toujours enlever le jus de fruit sans attendre, quand il est sûre de toucher, en utilisant d'abord un chiffon mouillé, puis un chiffon sec.
- Refroidissement avec la porte ouverte : laisser le four refroidir sans ouvrir la porte. Même si la porte n'est que légèrement entrouverte, cela peut à la longue endommager les façades des meubles voisins.
- Joint de porte très encrassé : lorsque le joint est très sale, la porte ne se ferme plus correctement. Les façades des meubles voisins risquent d'être endommagées. Faire en sorte que le joint de la porte soit toujours propre.
- Porte du four utilisée comme siège ou desserte : ne pas monter sur la porte du four, ni s'asseoir dessus ou s'y suspendre. Ne pas déposer sur la porte des accessoires ou ustensiles de cuisson quelconques.
- Montage des accessoires : selon le type de four, les accessoires peuvent rayer la porte lors de la fermeture de cette dernière. Toujours mettre les accessoires entièrement dans le four.
- Ne tenez pas et ne transportez pas l'appareil par la poignée de porte. La poignée de porte ne peut supporter le poids de l'appareil et pourrait se briser ou les charnières pourraient être endommagées.
- Le fonctionnement du micro-ondes sans aliment dans la cavité du four pourrait occasionner une surcharge. Ne faites jamais fonctionner le micro-ondes à moins que la cavité du four ne contienne des aliments. La seule exception à cette consigne est un test de matériel de cuisson (voyez la section «Micro-ondes, Plat de cuisson convenable»), ou un mode AutoChef nécessitant un préchauffage.
- Réglez toujours la puissance du micro-ondes tel que recommandé pour l'aliment. Des réglages à trop forte puissance peuvent très rapidement surchauffer les aliments.
- La plaque rotative pourrait sautiller si elle est surchargée.

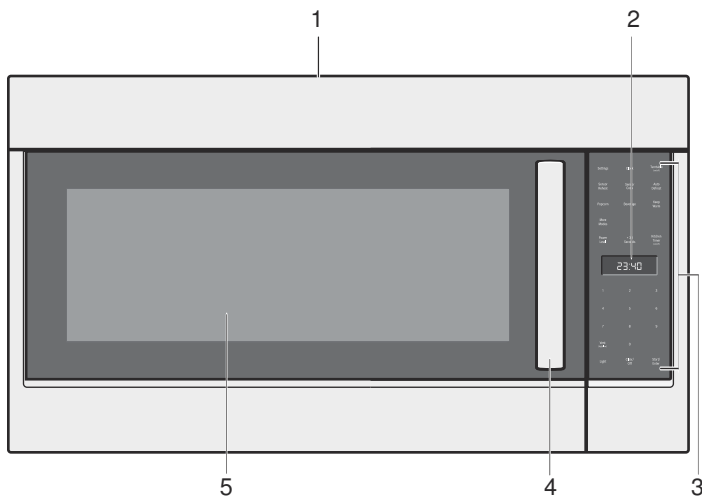
Protection de l'environnement

Déballer l'appareil et jeter l'emballage dans le respect de l'environnement.

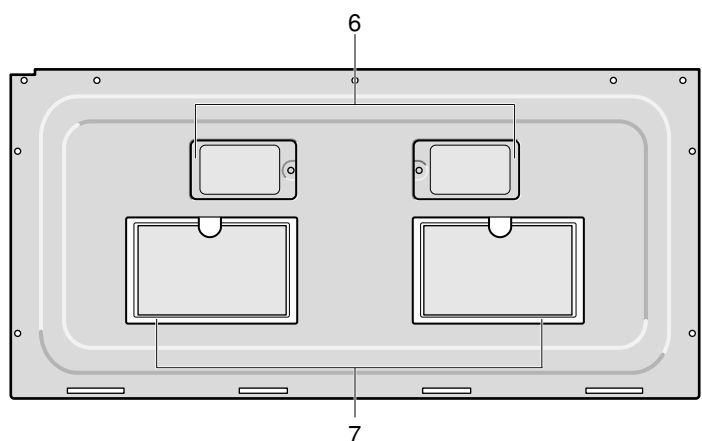
Mise en route

Pièces

Vue avant



Vue du bas



1	Grille d'évent supérieur
2	Affichage
3	Panneau de commande
4	Poignée de porte
5	Hublot
6	Éclairages de surface (DEL)
7	Filtres de ventilation

Ventilateur de refroidissement

Le ventilateur de refroidissement tourne pendant tous les modes de cuisson. On peut l'entendre fonctionner et sentir parfois de l'air chaud s'échapper de l'évent du four. Le ventilateur peut également fonctionner une fois le four éteint.

Évent de four

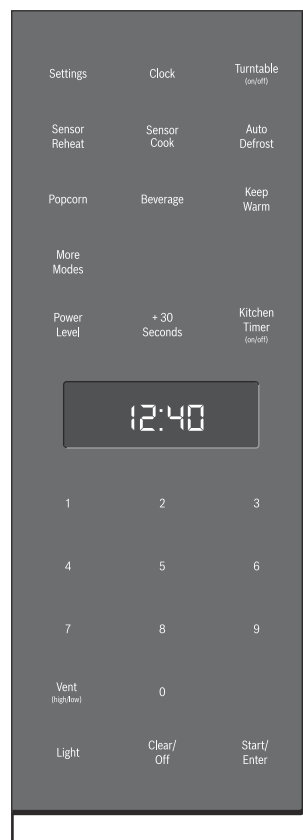
L'évent de four se trouve en haut de l'unité. De l'air chaud peut être évacué de l'évent avant, pendant et après la cuisson. Il est normal de voir de la vapeur s'échapper de l'évent, et de la condensation pourrait s'accumuler dans cette zone. Cette zone peut être

chaude lorsque le four est en cours d'utilisation. Ne bloquez pas l'évent car il est important pour la circulation d'air.

Éclairage de four (DEL)

L'éclairage de four s'éteint pour économiser l'énergie après deux minutes avec la porte ouverte. Pour rallumer l'éclairage, fermez la porte et ouvrez-la de nouveau.

Panneau de commande



Touches

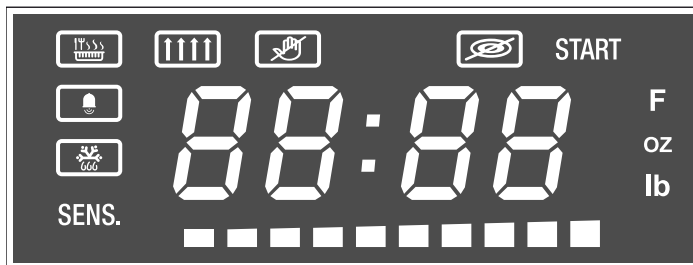
Vous pouvez activer une fonction en touchant brièvement la touche correspondante. Chaque fois que vous touchez une touche, un court signal sonore retentira. Un long signal sonore indiquera que vous avez effectué une saisie invalide.

Touche	Fonction
Settings (Réglages)	Modification des réglages de base
Clock (Horloge)	Réglez l'heure du jour
Turntable (on/off) (Plaque tournante [marche/arrêt])	Met sous tension et hors tension la plaque tournante
Sensor Reheat (Capteur réchauffage)	Réchauffez l'aliment avec les réglages automatiques

Touche	Fonction
Sensor Cook (Capteur cuisson)	Faites cuire les aliments avec les réglages automatiques
Auto Defrost (Décongélation automatique)	Décongélez les aliments avec les réglages automatiques
Popcorn	Sélectionnez la taille du sac de popcorn
Beverage (Boisson)	Boissons chaudes, sélectionnez la taille de la boisson
Clock (Garder chaud)	Réglez la fonction Garder chaud
More Modes (Autres modes)	Entrez d'autres modes de cuisson pour votre commodité
Power Level (Niveau de puissance)	Réglez le niveau de puissance pour le fonctionnement du micro-ondes
+30 Seconds (+30 secondes)	Ajoutez 30 secondes à la minuterie de la micro-ondes
Kitchen Timer (Minuterie de cuisine)	Réglez la minuterie de cuisine
0 - 9	Utilisez les touches numérotées pour entrer des valeurs personnalisées
Vent (high/low) (Évent [haut/bas])	Activez/désactivez la fonction de ventilation de cuisine
Light (Éclairage)	Allumez ou éteignez l'éclairage de surface
Clear/Off (Effacer/Arrêt)	Effacez la valeur saisie/éteignez l'appareil
Start/Enter (Démarrer/Entrer)	Confirmez l'entrée, démarrez l'opération

Éléments d'affichage

L'affichage vous donne des renseignements sur les réglages courants de votre appareil. Les symboles d'affichage clignotants indiquent qu'une saisie est requise.



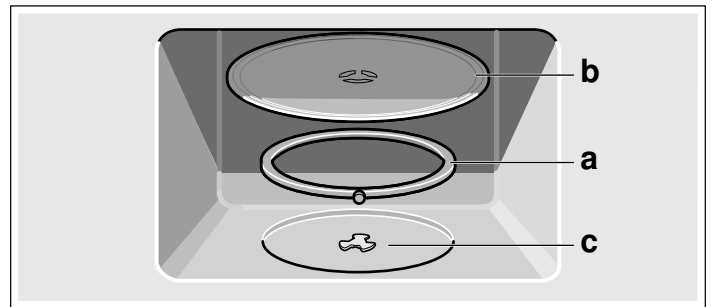
	Mode Keep Warm (Garder chaud)
	Ventilateur en marche
	Verrouillage du panneau activé
	Plaque tournant hors tension
	Minuterie de cuisine
	Décongélation

START (DÉMARRER)	Confirmation avec la touche Démarrer/Entrer requise en cas de clignotement
SENS.	Détection en cours
F	Température en °F
oz lb	L'affichage numérique montre le poids en onces/livres
	Barre d'état pour niveau de puissance de micro-ondes
00:00	Affichage numérique pour temps, température ou poids selon l'unité qui est affichée à côté

Accessoires

Le plateau tournant

1. Placer l'anneau du plateau tournant **a** dans le creux situé dans le compartiment de cuisson
2. Laisser le plateau tournant **b** s'enclencher dans l'entraînement **c** au centre du fond du compartiment de cuisson.

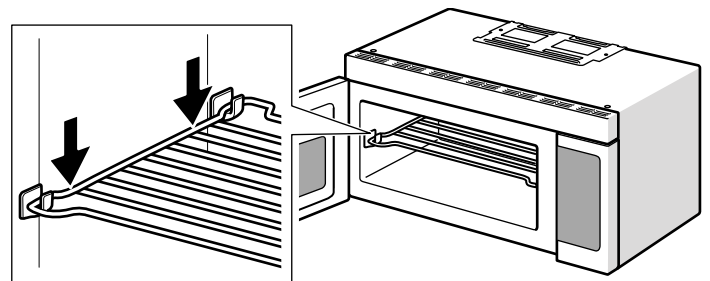


Remarque : Utilisez l'appareil uniquement avec le plateau tournant en place. Veillez à ce qu'il soit correctement enclenché et peut tourner librement lorsque l'appareil est en marche.

Utilisation de la grille métallique

Avec la grille métallique, vous gagnez de l'espace additionnel pour cuire plusieurs contenants en même temps.

1. Placez la grille fermement dans les quatre supports de plastique.



Remarque : La grille ne doit pas toucher les parois métalliques ou la partie arrière du micro-ondes.

2. Placez une quantité égale d'aliments au-dessous et en-dessous de la grille.

Remarque : La quantité d'aliments doit être environ la même dans les deux contenants pour bien équilibrer l'énergie de cuisson.

▲ ATTENTION

- N'utilisez pas la grille pour faire éclater le popcorn.
 - La grille doit être sur les quatre supports de plastique quand elle est utilisée.
 - Utilisez la grille seulement quand vous faites cuire des aliments sur deux positions.
 - Ne faites pas cuire avec la grille sur le plancher du four à micro-ondes.
 - La grille peut devenir très chaude pendant la cuisson au micro-ondes. Laissez la grille se refroidir avant de la manipuler.
-

Guide des ustensiles pour micro-ondes

Plats de cuisson convenables

- **Verre thermorésistant, verre-céramique :**
Plats utilitaires, plats pour pain de viande, plats pour tarte, plats pour cake, tasses de mesure de liquide, casseroles et bols sans garniture métallique (p. ex., Pyrex®, Anchor Hocking™, Corning Ware®, etc.).
- **Porcelaine :**
Bols, tasses, plats de service et plateaux sans garniture métallique.
- **Films et pellicules en plastique :**
Pellicule en plastique (comme couvercle) - Posez la pellicule en plastique de façon lâche sur le plat et pressez-la sur les côtés. Aérez la pellicule de plastique en retroussant légèrement un bord pour permettre à la vapeur excessive de s'échapper. Le plat devrait être suffisamment profond de manière à ce que la pellicule en plastique ne touche pas l'aliment.
- **Plastiques micro-ondables :**
Utilisez des plats, des tasses, des contenants de congélation semi-rigides et des sacs en plastique micro-ondables pour des temps de cuisson courts. Utilisez-les avec soin car le plastique pourrait se ramollir à cause de la chaleur générée par l'aliment.
- **Produits de papier :**
Serviettes de papier, papier ciré, papier parchemin, et plats de papier sans garniture métallique ou dessin. Lisez l'étiquette du fabricant pour des instructions spéciales pour utilisation dans le four à micro-ondes.

Plats de cuisson inappropriés

- **Ustensiles et plats de cuisson métalliques :**
Le métal protège l'aliment de l'énergie micro-ondes et produit une cuisson inégale. Par ailleurs, évitez les brochettes métalliques, les thermomètres ou les plateaux en aluminium. Les ustensiles métalliques peuvent provoquer la production d'arcs électriques pouvant endommager le four à micro-ondes.
- **Décoration métallique :**
Bols, tasses, plats de service et plateaux avec garniture métallique.
- **Feuille d'aluminium :**
Évitez les grandes feuilles d'aluminium car elles nuisent à la cuisson et pourrait provoquer la production dangereuse d'arcs électriques. Utilisez de petits morceaux de feuille d'aluminium pour protéger les ailes et les cuisses de poulet. Conservez TOUTE la feuille d'aluminium à au moins 1 po (2,5 cm) des parois de la cavité du four et de la porte du micro-ondes.
- **Bois :**
Les bols et les plateaux de bois s'assècheront et pourraient se fissurer ou se fendre si vous les utilisez dans le four à micro-ondes. Les paniers fabriqués de bois réagiront de la même manière.
- **Plats de cuisson couverts de façon serrée :**
Assurez-vous de laisser des ouvertures pour permettre à la vapeur de s'échapper du plat de cuisson couvert. Percez les pochettes de plastique de légumes ou d'autres aliments avant leur cuisson. Les pochettes trop serrées peuvent éclater.
- **Papier gris d'emballage :**
Évitez d'utiliser des sacs de papier gris d'emballage. Ils absorbent la chaleur et peuvent brûler.
- **Ustensiles de cuisson endommagés ou écaillés :**
Tout ustensile qui est fissuré, endommagé ou écaillé pourrait se briser dans le four.
- **Attaches métalliques :**
Retirez les attaches métalliques des sacs de papier ou de plastique. Ils deviennent chauds et pourraient s'enflammer.

Test de la vaisselle

Ne faites jamais fonctionner le micro-ondes sans aliments. La seule exception à cette règle est le test de vaisselle suivant.

Si vous n'êtes pas sûr que votre récipient est micro-ondable, effectuez le test suivant :

1. Placez le plat vide dans l'appareil pendant ½ à 1 minute à la puissance maximale.
2. Vérifiez régulièrement la température.
Le récipient doit être froid ou tiède.

S'il est chaud ou si des étincelles se produisent, votre récipient n'est pas approprié.

Avant la première utilisation

- Avant l'utilisation, le four doit être correctement installé par un technicien qualifié.
- Retirer tout matériau d'emballage à l'intérieur et à l'extérieur du four.
- Essuyer le four tant qu'il est froid à l'aide d'un chiffon propre et humide et sécher.
- Il peut y avoir une légère odeur aux premières utilisations. Ceci est normal et disparaîtra.
- Pour obtenir des résultats de cuisson optimaux, utiliser une batterie de cuisine adéquate.
- Lire et comprendre toutes les précautions de sécurité et le Manuel d'utilisation et d'entretien avant toute utilisation.

Exécutez les sections suivantes avant d'utilisation :

L'appareil doit être entièrement monté et branché.

Accessoires de nettoyage

Avant d'utiliser les accessoires pour la première fois, lavez les accessoires à fond avec de l'eau savonneuse et un chiffon propre et doux.

Appliquer l'étiquette de programme

Choisir la langue souhaitée des étiquettes incluses. Fixer l'étiquette au dessous de la cavité du four, comme décrit dans le feuillet des étiquettes.

Fonctionnement


Réglage de l'horloge

Vous pouvez régler l'horloge en mode de 12 heures.

1. Touchez **Clock** (Horloge) une fois.
2. Entrez le temps souhaité à l'aide des touches numérotées.
Exemple : Pour régler l'horloge à 12:41, tapez 1 2 4 1.
3. Touchez **Clock** pour confirmer.
L'heure du jour est affichée.

Réglage de la minuterie de cuisine


Vous pouvez régler une valeur de minuterie allant jusqu'à 99 heures et 99 minutes.

1. Touchez **Kitchen Timer** (Minuterie de cuisine).
Le symbole  s'allume et **00:00** clignote.
2. Entrez le temps souhaité à l'aide des touches numérotées.
3. Touchez **Kitchen Timer** pour confirmer.
Le compte à rebours de la minuterie de cuisine est lancé.
Une fois que le temps s'est écoulé, 4 signaux sonores retentiront. Pour arrêter le signal sonore, touchez **Kitchen Timer**.
Pour annuler la minuterie de cuisine, touchez de nouveau **Kitchen Timer** ou ouvrez la porte de l'appareil.

Fonctionnement du ventilateur d'aération

La fonction Vent (Ventilation) déplace la vapeur et autres vapeurs de cuisson de la surface de cuisson de la cuisinière sous le four à micro-ondes.

Vous pouvez régler quatre différentes vitesses de ventilation.

Réglez la fonction de ventilation en touchant **Vent (high/low)** (Ventilation (haut/bas)). Le symbole de ventilation  s'allumera à l'écran.

Niveau de ventilation	Touchez la touche Vent (high/low) (Ventilation (haut/bas))	Affichage
4 (haut)	une fois	<i>H I</i>
3	deux fois	
2	3 fois	
1 (bas)	4 fois	<i>LO</i>
OFF (Arrêt)	5 fois	OFF (Arrêt)

Remarque : Si la température autour du four à micro-ondes devient trop chaude, le ventilateur de la fonction de ventilation se mettra automatiquement en marche au niveau le plus bas pour refroidir le four. Le ventilateur sera automatiquement mis à l'arrêt dès que les pièces internes sont froides. Quand cela se produit, le ventilateur ne peut être mis à l'arrêt manuellement.



Allumage et extinction de l'éclairage de surface

L'appareil est équipé d'un éclairage de surface de cuisson, pour éclairer la surface en-dessous l'appareil. Avec la touche **Light** (Éclairage), vous pouvez régler deux niveaux de luminosité.

Luminosité	Touchez la touche Light (Éclairage)
Élevé	une fois
Bas	deux fois
Off (Arrêt)	trois fois

Mise sous tension et hors tension de la plaque tournante

Pour les meilleurs résultats de cuisson, laissez la plaque tournante sous tension. Vous pouvez la mettre hors tension pour les plats plus grands.

Pour mettre hors tension la plaque tournante, touchez une fois **Turntable (on/off)** (tournante (marche/arrêt)). Le symbole  et **OFF** s'allument brièvement. Touchez de nouveau la touche pour mettre sous tension la plaque tournante. Le symbole  et **On** s'allument brièvement.

⚠ ATTENTION

- La plaque tournante peut parfois devenir chaude. Soyez prudents quand vous touchez la plaque tournante pendant et après la cuisson.
- Ne faites pas marcher le four à vide.
- N'utilisez pas le four sans plaque tournante en place.

Réglage du micro-ondes

L'appareil doit être éteint.

1. Entrez le temps de cuisson souhaité avec les touches numérotées. L'écran de la minuterie se remplira de droite à gauche.

Exemple : Pour régler un temps de micro-ondes de 20 minutes et 30 secondes, entrez les numéros 2 0 3 0. **START** (Démarrer) clignote.

2. Vous pouvez relancer le fonctionnement du micro-ondes avec le niveau de puissance par défaut de 10 en touchant **Start/Enter** (Démarrer/Entrer), **-ou-** vous pouvez régler le niveau de puissance. Touchez **Power Level** (Niveau de puissance). Le niveau de puissance par défaut **PL 10** clignote. Les segments de la barre sous l'écran de numéros indiquent aussi le niveau de puissance.
3. Entrez le niveau de puissance souhaité avec les touches numérotées. **PL** et le niveau de puissance sélectionné et **START** (Démarrer) clignotent à l'écran.



4. Touchez la touche **Start/Enter** pour lancer le fonctionnement du micro-ondes.
La minuterie du micro-ondes lancera le compte à rebours.

La minuterie de micro-ondes peut être modifiée en cours de fonctionnement en touchant **+30 Seconds** (+30 secondes).

Le niveau de puissance peut être modifié en cours de fonctionnement. Pour afficher le niveau de puissance réglé, touchez **Power Level**.

Une fois que le temps de micro-ondes s'est écoulé, quatre signaux sonores retentiront. L'appareil s'éteint et l'horloge est affichée.

Ouverture de la porte de l'appareil en cours de fonctionnement

L'ouverture de la porte de l'appareil en cours de fonctionnement interrompra le mode courant. Vous devez fermer la porte de l'appareil, puis toucher **Start/Enter** (Démarrer/Entrer) pour reprendre le fonctionnement.

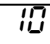
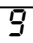
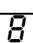
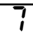
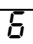
Annuler le fonctionnement

Touchez **Clear/Off** (Effacer/Arrêt) pour annuler le mode de four actif. L'appareil s'éteint et l'horloge est affichée. Le ventilateur fonctionne encore quelque temps, puis s'arrête automatiquement.

Niveaux de puissance du micro-ondes

Les 10 niveaux de puissance disponibles sur ce micro-ondes vous aident à adapter au mieux la puissance selon le type d'aliment à préparer. Comme avec toute préparation alimentaire pour le micro-ondes, il est conseillé de suivre les instructions du micro-ondes imprimées sur l'emballage de l'aliment.

Le tableau suivant fournit les niveaux de puissance suggérés pour les différents types d'aliments pouvant être préparés au micro-ondes.

Niveau de puissance	Puissance du micro-ondes	À utiliser pour
 Élevé	100%	Bouillir de l'eau Cuire de la viande hachée Confectionner des friandises Cuire des fruits et légumes frais Cuire du poisson et de la volaille Préchauffer un plat brunisseur Réchauffer les boissons Cuire des tranches de bacon
	90%	Réchauffer rapidement des tranches de viande Sauter des oignons, céleris et poivrons verts
	80%	Réchauffage Tout Cuire des œufs brouillés
	70%	Cuire des pains et des produits céréaliers Cuire des plats de fromage et du veau Cuire des muffins, des gâteaux au chocolat et des petits gâteaux Cuire du poulet entier
	60%	Cuire des pâtes

Niveau de puissance	Puissance du micro-ondes	À utiliser pour
5	50%	Cuire de la viande Cuire de la crème pâtissière Cuire des côtes levées, du rôti de bœuf et du rôti de surlonge
4	40%	Cuire des coupes de viande moins tendres Réchauffer des aliments préparés congelés
3	30%	Décongelez de la viande, de la volaille et des fruits de mer Cuire de petites quantités d'aliments Terminer la cuisson de casseroles, de plats mijotés et de certaines sauces Fondre du chocolat
2	20%	Ramollir du beurre et du fromage à la crème
1	10%	Ramollir de la crème glacée Lever la pâte à levure

Suggestions pour les meilleurs résultats

Pour vous aider à obtenir les meilleurs résultats possibles avec votre four à micro-ondes, lisez les suggestions suivantes ci-dessous :

- **Température de rangement**

Les aliments sortis du congélateur ou du réfrigérateur prennent plus de temps à cuire.

- **Taille**

Les petits morceaux cuisent plus rapidement que les gros. Les morceaux de taille et de forme similaires cuiront de façon plus uniforme lorsqu'ils sont cuits ensemble. Pour des résultats plus uniformes, réduisez le niveau de puissance lorsque vous faites cuire des gros morceaux.

- **Humidité naturelle**

Les aliments très humides cuisent de façon plus uniforme du fait que l'énergie du micro-ondes chauffe les molécules d'eau de façon très efficace.

- **Brassage**

Brassez les aliments comme les casseroles et les légumes de l'extérieur au centre pour distribuer la chaleur de façon plus uniforme. Cela vous permettra de cuire l'aliment plus rapidement. (Un brassage constant n'est pas nécessaire.)

- **Retournement des aliments**

Retournez les aliments tels que les côtelettes de porc, les rôtis ou le chou-fleur entier à mi-cuisson. Cela aidera à exposer tous les côtés de façon uniforme à l'énergie micro-ondes.

- **Placement des aliments**

Placez les parties délicates des aliments, comme les pointes d'asperge, vers le centre de la plaque tournante.

- **Disposition des aliments**

Disposez les aliments de forme uniforme, comme les morceaux de poulet ou le saumon, avec les parties plus épaisses, plus charnues vers l'extérieur de la plaque tournante.

- **Laissez les aliments reposer**

Après avoir retiré l'aliment du micro-ondes, couvrez l'aliment de feuilles d'aluminium ou d'un couvercle de casserole et laissez-le reposer pour terminer la cuisson. Cela aidera à terminer la cuisson de l'aliment au centre et évitera de trop cuire sur les bords extérieurs. La durée du temps de repos dépend de la densité et de la superficie des aliments.

- **Enveloppement**

Les sandwichs et de nombreux autres types d'aliments contenant du pain précuit devraient être enveloppés dans des serviettes de papier ou dans du papier ciré avant de les placer dans le micro-ondes pour aider à éviter d'assécher les aliments.

Ajout de temps de cuisson (+30 secondes)

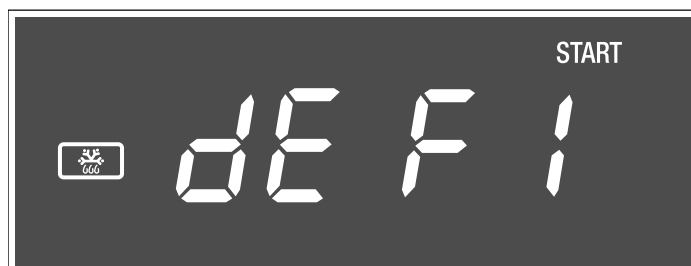
Cette fonction d'économie de temps vous permet d'ajouter rapidement 30 secondes à tout temps de cuisson. **+30 Seconds** (+30 secondes) démarrera le micro-ondes avec 30 secondes à un niveau de puissance de 100%. Chaque temps que vous touchez la touche **+30 Seconds** (+30 secondes) 30 secondes seront ajoutées au temps de cuisson.

Décongélation automatique

Avec la fonction Auto Defrost (Décongélation automatique), vous pouvez décongeler trois différents types d'aliments en entrant leur poids. Le temps de décongélation idéal sera calculé par le programme.

Réglage de la décongélation automatique

1. Touchez une fois **Auto Defrost** (Décongélation automatique). **DEF** et **START** (Démarrer) clignotent et le symbole  s'allume à l'écran.



2. Touchez **Auto Defrost** à répétition jusqu'à ce que le numéro de programme s'affiche à l'écran. Vérifiez l'étiquette de menu au bas de la cavité du four ou voyez le tableau du programme ci-dessous.
3. Touchez **Start/Enter** (Démarrer/Entrer). **0.0** lb clignote à l'écran.
4. Entrez le poids de l'aliment à cuire avec les touches numérotées.
5. Touchez **Start/Enter** pour lancer le programme.

Quand la décongélation automatique est terminée, 4 signaux sonores retentiront. L'appareil s'éteint et l'horloge est affichée.

Remarque : Un signal sonore retentira pendant la décongélation pour tous les programmes indiquant le moment venu de retourner l'aliment ou de séparer les morceaux.

Ouverture de la porte de l'appareil en cours de fonctionnement

L'ouverture de la porte de l'appareil en cours de fonctionnement interrompra le mode courant. Vous devez fermer la porte de l'appareil, puis toucher **Start/Enter** (Démarrer/Entrer) pour reprendre le fonctionnement.

Annuler le fonctionnement

Touchez **Clear/Off** (Effacer/Arrêt) pour annuler le mode de four actif. L'appareil s'éteint et l'horloge est affichée. Le ventilateur fonctionne encore quelque temps, puis s'arrête automatiquement.

Programme de décongélation automatique

Pro-gramme no	Aliment	Plage de poids
DEF 1	Viande hachée	0,5 - 3 lb
DEF 2	Morceaux de viande (steaks, côtelettes)	0,5 - 3 lb
DEF 3	Morceaux de volaille	0,5 - 3 lb

Suggestions de décongélation pour la viande

Pour les meilleurs résultats, veuillez lire ces suggestions quand vous décongelez la viande.

Viande	Plage de poids	Suggestions
Viande hachée	0,5 à 2 lb (8 à 48 oz)	Après chaque étape, retirez les pièces qui sont presque décongelées. Laissez au repos avec de la feuille en aluminium pendant 5 à 10 minutes.
Steaks, côtelettes ou poisson	0,5 à 3 lb (8 à 48 oz)	Après chaque étape, redispensez l'aliment. Si des portions de l'aliment sont chaudes ou décongelées, protégez-les avec des petits morceaux étroits de feuille d'aluminium. Retirez les morceaux qui sont presque décongelés. Laissez au repos couvert pendant environ 5 à 10 minutes.
Morceaux de poulet	0,5 à 3 lb (8 à 48 oz)	Après chaque étape, redispensez ou retirez les morceaux d'aliment qui sont presque décongelés. Laissez au repos pendant 10 à 20 minutes.

Conseils pour la décongélation

▲ AVERTISSEMENT

RISQUES À LA SANTÉ

Du liquide sera produit lors de la décongélation de viande ou de volaille. Drainez ce liquide quand vous retournez la viande ou la volaille et en aucune circonstance devriez-vous l'utiliser à d'autres fins ou lui permettre d'entrer en contact avec d'autres aliments.

- Entrez toujours le poids en lb lorsque vous utilisez la fonction de décongélation selon le poids (voyez le tableau des programmes).
- Utilisez le mode de décongélation uniquement pour les aliments crus.
- La décongélation donne les meilleurs résultats lorsque l'aliment a décongelé et a un minimum de 0 °F (pris directement du congélateur). Si l'aliment a été rangé dans un réfrigérateur-congélateur qui ne maintient pas une température de 5 °F ou moins, programmez toujours un poids d'aliment inférieur ou un temps de cuisson inférieur pour empêcher de cuire l'aliment.
- Si l'aliment congelé est rangé à l'extérieur du congélateur pendant jusqu'à 20 minutes, entrez un temps ou un poids de cuisson réduit.
- La forme de l'emballage modifiera le temps de décongélation. Les paquets d'aliments rectangulaires et minces se décongelent plus rapidement qu'un bloc d'aliments congelés épais.
- Séparez les morceaux à mesure qu'ils se décongelent. Les morceaux d'aliments congelés séparés se décongelent mieux.
- Protégez les zones chaudes de l'aliment avec de petits morceaux de feuille en aluminium si elles commencent à se chauffer.
Utilisez des petits morceaux de feuille en aluminium pour protéger les aliments comme les ailes de poulet, les extrémités des cuisses et les queues de poisson. Ne laissez pas l'aluminium toucher la cavité du four lors de la décongélation.

Capteur réchauffage

La fonction Capteur réchauffage vous permet de réchauffer les plats de service ou les casseroles (8 – 12 oz) pour votre commodité.

Réglage du Capteur Réchauffage

1. Touchez une fois **Sensor Reheat** (Capteur Réchauffage). **Sr - 1** et **START** (Démarrer) clignotent à l'écran.



2. Touchez **Sensor Reheat** à répétition jusqu'à ce que le numéro de programme soit affiché à l'écran. Vérifiez l'étiquette de menu au bas de la cavité du four ou voyez le tableau du programme ci-dessous.
3. Touchez **Start/Enter** pour lancer le mode Capteur réchauffage. L'appareil se met à détecter, SENS. s'allume à l'écran. L'appareil est en marche pendant la détection.

Une fois la détection terminée, deux courts signaux sonores retentiront et le temps de cuisson calculé lancera le compte à rebours.

Une fois le mode Capteur réchauffage terminé, 4 signaux sonores retentiront. L'appareil s'éteint et l'horloge est affichée.

Remarque : N'ouvrez pas la porte pendant le processus de détection, sinon le programme sera annulé.

Une fois que le temps de cuisson calculé est affiché, vous pouvez ouvrir la porte pour brasser, retourner ou redisposer l'aliment. Touchez **Start/Enter** (Démarrer/Entrer) pour reprendre l'opération.

Remarques

- Couvrez avec une pellicule de plastique ou du papier ciré aéré.
- Réchauffez l'aliment sur un plat de service micro-ondable.

Annuler le fonctionnement

Touchez **Clear/Off** (Effacer/Arrêt) pour annuler le mode de four actif. L'appareil s'éteint et l'horloge est affichée.

Le ventilateur fonctionne encore quelque temps, puis s'arrête automatiquement.

Programmes Capteur réchauffage

Pro-gramme no	Aliment	Quantité
Sr - 1	Assiette plate	1 portion
Sr - 2	Casserole, pâtes	1 à 4 portions

Suggestions pour le réchauffage des aliments

Aliment	Directions	Quantité
Assiette plate	Utilisez uniquement des aliments réfrigérés précuits. Couvrez l'assiette avec une pellicule de plastique ou du papier ciré aéré, rangé sous l'assiette. Si l'aliment n'est pas aussi chaud que vous l'auriez souhaité après son réchauffage avec la fonction de réchauffage, continuez de chauffer en utilisant le réglage manuel de temps et de niveau de puissance. Contenu: <ul style="list-style-type: none">• Viande, poulet ou poisson de 3-4 oz (jusqu'à 6 oz avec os)• une demi-tasse de féculent (pommes de terre, pâtes, riz, etc.)• 1/2 tasse de légumes (environ 3-4 oz)	1 portion (1 plat)
Casserole, pâtes	Plats à couvercle avec couvercle ou pellicule en plastique aérée. Si l'aliment n'est pas aussi chaud que vous l'auriez souhaité après son réchauffage avec la fonction de réchauffage, continuez de chauffer en utilisant le réglage manuel de temps et de niveau de puissance. Brassez les aliments une fois avant de servir. Contenu: <ul style="list-style-type: none">• Aliments réfrigérés dans une casserole (comme un ragoût de bœuf ou une lasagne)• Spaghetti et ravioli en boîte, aliments réfrigérés	1 à 4 portions

Capteur cuisson

Le mode Capteur cuisson vous permet de cuire bon nombre de vos aliments préférés sans sélectionner les temps de cuisson et les niveaux de puissance. Le four à micro-ondes détermine automatiquement le temps de cuisson requis pour chaque aliment.

Pour de meilleurs résultats pour le mode Capteur cuisson, suivez ces recommandations :

- Les aliments cuits avec le système à capteurs devraient être cuits à partir de leur température de rangement normale.
- La plaque tournante, le plat de verre et l'extérieur du contenant doivent être secs.
- Les aliments doivent toujours être couverts lâchement avec de la pellicule en plastique, du papier ciré ou un couvercle micro-ondable.

- N'ouvrez pas la porte ou ne touchez pas la touche **Effacer/Arrêt** pendant le temps de cuisson à détection. Lorsque le temps de détection s'est écoulé, le four retentit deux fois et le temps de cuisson restant apparaîtra à l'écran. **Vous pouvez alors ouvrir la porte pour brasser, retourner ou redisposer l'aliment.**

Réglage du Capteur Cuisson

- Touchez une fois la touche **Sensor Cook** (Capteur Cuisson). **Sc - 1** et START (Démarrer) clignotent.
- Touchez **Sensor Cook** jusqu'à ce que le numéro du programme souhaité s'affiche à l'écran.
- Touchez **Start/Enter** pour lancer le mode Capteur cuisson. SENS. s'allume à l'écran et l'appareil lance le mode de détection.



Une fois la détection terminée, deux courts signaux sonores retentiront et le temps de cuisson calculé lancera le compte à rebours.

Une fois le mode Capteur cuisson terminé, 4 signaux sonores retentiront. L'appareil s'éteint et l'horloge est affichée.

Remarque : N'ouvrez pas la porte pendant le processus de détection, sinon le programme sera annulé.

Une fois que le temps de cuisson calculé est affiché, vous pouvez ouvrir la porte pour brasser, retourner ou redisposer l'aliment. Touchez **Start/Enter** (Démarrer/Entrer) pour reprendre l'opération.

Annuler le fonctionnement

Touchez **Clear/Off** (Effacer/Arrêt) pour annuler le mode de four actif. L'appareil s'éteint et l'horloge est affichée.

Le ventilateur fonctionne encore quelque temps, puis s'arrête automatiquement.

Programmes Capteur cuisson


No. progr.	Aliment	Quantité	Conseils de cuisson
Sc - 1	Pommes de terre au four	1 - 4 pommes de terre (8 - 32 oz)	Après la cuisson, laisser reposer dans l'aluminium pendant 5 minutes.
Sc - 2	Patate douce	1 - 4 pommes de terre (8 - 32 oz)	Après la cuisson, laisser reposer dans l'aluminium pendant 5 minutes.

No. progr.	Aliment	Quantité	Conseils de cuisson
Sc - 3	Légumes frais	8 - 24 oz (0,5 - 1,5 lb)	Ne pas ajouter d'eau si les légumes viennent d'être lavés. Ajouter 2 cuillères à soupe d'eau par 8 oz de légumes frais.
Sc - 4	Légumes congelés	8 - 24 oz (0,5 - 1,5 lb)	Ajouter 1 cuillère à soupe d'eau par 4 oz de légumes congelés.
Sc - 5	Viande hachée	8 - 24 oz (0,5 - 1,5 lb)	Après la cuisson, laisser reposer couvert pendant 3 à 4 minutes.
Sc - 6	Poissons/ fruits de mer	8 - 24 oz (0,5 - 1,5 lb)	Rouler les extrémités minces vers l'intérieur. Placer en cercle autour du plat allant au micro-ondes.
Sc - 7	Riz brun	0,5 - 2 tasses (riz sec)	Utiliser une casserole à rebord élevé. Ne pas couvrir. Utiliser 1 tasse de riz pour 3 tasses d'eau.
Sc - 8	Riz blanc	0,5 - 2 tasses (riz sec)	Utiliser une casserole à rebord élevé et un couvercle. Utiliser 1 tasse de riz pour 2 tasses d'eau.
Sc - 9	Plats congelés		Suivre les instructions de l'emballage pour la ventilation, couper la pellicule de plastique, etc.


Verrouillage du panneau

La fonction de verrouillage du panneau est également très utile lorsque vous nettoyez le panneau de commande. Le verrouillage empêchera la programmation accidentelle lorsque vous essuyez le panneau de commande pour le nettoyer.

Pour activer le verrouillage du panneau:

Maintenez enfoncée la touche **Clear/Off** (Effacer/Arrêt) pendant plus de 3 secondes. Le symbole  s'allume à l'écran, deux signaux sonores retentissent.

Pour désactiver le verrouillage du panneau:

Maintenez enfoncée la touche **Clear/Off** pendant plus de 3 secondes. Le symbole  disparaît de l'écran. Le panneau est déverrouillé.

Réglages

Les réglages de base suivants de votre appareil peuvent être réglés selon vos préférences personnelles.

Affichage	Fonction	Touchez la touche Settings (Réglages)
5nd	Tonalités de touche marche/arrêt 1 - marche 2 - arrêt	une fois
[1 0	Affichage d'horloge en mode d'attente marche/arrêt 1 - marche 2 - arrêt	deux fois

Fonctionnement commode

Popcorn

▲ ATTENTION

Ne laissez pas le four sans surveillance lorsque vous faites éclater le popcorn. Le popcorn pourrait s'enflammer et provoquer un incendie.

Réglage du mode Popcorn

La fonction popcorn vous permet de faire éclater trois différents sacs de popcorn micro-ondables disponibles dans le commerce. Utilisez les tableaux ci-dessous pour déterminer le réglage à utiliser.

Taille du sac	Touchez la touche Popcorn
1,2 oz (réglage par défaut)	une fois
2,5 oz	deux fois
3,5 oz	3 fois

Exemple : Éclatez un sac de popcorn de 3,5 oz automatiquement :

- Touchez trois fois **Popcorn**. **3** et START (Démarrer) clignotent à l'écran.
- Touchez **Start/Enter** (Démarrer/Entrer).
Le compte à rebours de l'appareil est lancé. Lorsque le temps de micro-ondes s'est écoulé, 4 signaux sonores retentiront. L'appareil s'éteint et l'horloge est affichée.

Annuler le fonctionnement

Touchez **Clear/Off** (Effacer/Arrêt) pour annuler le mode de four actif. L'appareil s'éteint et l'horloge est affichée. Le ventilateur fonctionne encore quelque temps, puis s'arrête automatiquement.

Modification des réglages de base

Exemple : Affichage d'horloge marche/arrêt.

- Touchez deux fois **Settings** (Réglages).
[1 0 et OFF ou On alternent à l'écran.
- Touchez la touche numérotée **1** pour activer l'affichage d'horloge, touchez **2** pour désactiver l'affichage d'horloge.
- Touchez **Start/Enter** (Démarrer/Entrer).
- Touchez **Clear/Off** (Effacer/Arrêt) pour quitter le menu des réglages.

Remarque : Vous pouvez seulement modifier un réglage à la fois. Pour changer un autre réglage, vous devez quitter le menu de réglages en premier et commencer à partir de l'étape 1.

Boisson

La fonction Boissons chauffe 0,5 à 2 tasses de boisson. Utilisez les tableaux ci-dessous pour déterminer le réglage à utiliser.

Pro-gramme no	Montant	Touchez touche Beverage (Boisson)
1	0,5 tasse (environ 8 oz)	une fois
2	1 tasse (environ 16 oz)	deux fois
3	1,5 tasse (environ 24 oz)	3 fois
4	2 tasses (environ 32 oz)	4 fois

Exemple : Chauffez 1 tasse de boisson.

- Touchez deux fois **Beverage** (Boisson). **2** et START (Démarrer) clignotent à l'écran.
- Touchez **Start/Enter** (Démarrer/Entrer).
Une fois le temps de cuisson écoulé, 4 signaux sonores retentiront. L'appareil s'éteint et l'horloge est affichée.

Annuler le fonctionnement

Touchez **Clear/Off** (Effacer/Arrêt) pour annuler le mode de four actif. L'appareil s'éteint et l'horloge est affichée. Le ventilateur fonctionne encore quelque temps, puis s'arrête automatiquement.

Garder chaud


Vous pouvez conserver les aliments cuits au chaud pendant jusqu'à 60 minutes.

▲ ATTENTION

SUIVEZ CES DIRECTIVES LORSQUE VOUS UTILISEZ LE MODE KEEP WARM (MAINTIEN AU CHAUD) :

- N'utilisez pas le mode Keep Warm (Maintien au chaud) pour réchauffer des aliments froids.
- Assurez-vous de conserver les aliments à la température appropriée. L'USDA recommande de maintenir les aliments chauds à 140 °F (60 °C) ou plus.
- Ne laissez PAS des aliments au chaud pendant plus d'une heure.

Réglage de Keep Warm (Garder chaud)

1. Touchez **Keep Warm** (Garde chaud). Le symbole  s'allume et **00:00** clignote à l'écran.
2. Entrez le temps souhaité à l'aide des touches numérotées.
3. Touchez **Start/Enter** (Démarrer/Entrer).

Une fois le temps réglé du mode Keep Warm (Garder chaud) écoulé, l'appareil continuera de retentir jusqu'à ce que vous touchez **Clear/Off**.

Remarques

- Utilisez le mode Keep Warm (Garder chaud) pour conserver les aliments cuits chauds et prêts à servir.
- Les aliments cuits à couvert doivent demeurer couverts pendant le mode Keep Warm (Garder chaud).
- Les pâtisseries (tartes, chaussons, etc.) ne doivent pas être couvertes.
- Les repas complets conservés à chaud sur un plat de service peuvent être couverts pendant le mode Keep Warm (Garder chaud).

Annuler le fonctionnement

Touchez **Clear/Off** (Effacer/Arrêt) pour annuler le mode de four actif. L'appareil s'éteint et l'horloge est affichée. Le ventilateur fonctionne encore quelque temps, puis s'arrête automatiquement.

Autres modes

La fonction More Modes (Autres modes) vous offre cinq programmes commodes additionnels.

Modes disponibles

Mode no	Nom	Entrée
1	Fondre beurre	1 = 2 cuillères à soupe 2 = 1/4 tasse 3 = 1/2 tasse
2	Fondre chocolat	1 = 1 tasse 2 = 2 tasses
3	Ramollir crème glacée	1 = 4 oz. 2 = 8 oz. 3 = 16 oz. 4 = 32oz. 5 = 48 oz.
4	Ramollir fromage à la crème	1 = 3 oz 2 = 6 oz 3 = 8 oz
5	Temps de décongélation	Entrez le temps de décongélation

Réglages des autres modes

1. Touchez une fois **More Modes** (Autres modes). **i** et **START** (Démarrer) clignotent à l'écran.
2. Touchez **More Modes** à répétition jusqu'à ce que le numéro de programme souhaité s'affiche à l'écran. Vérifiez l'étiquette de menu au bas de la cavité du four ou voyez le tableau des programmes ci-dessus.
3. Touchez **Start/Enter** (Démarrer/Entrer). Pour les modes 1 à 4: **i** et **START** (Démarrer) clignotent à l'écran. Pour le mode 5: **00:00** clignote à l'écran.
4. Entrez la catégorie de poids souhaité (mode 1 - 4) ou entrez le temps de décongélation souhaité (mode 5) avec les touches numérotées.
5. Touchez **Start/Enter** pour lancer l'opération. Une fois le temps de cuisson écoulé, 4 signaux sonores retentiront. L'appareil s'éteint et l'horloge est affichée.

Annuler le fonctionnement

Touchez **Clear/Off** (Effacer/Arrêt) pour annuler le mode de four actif. L'appareil s'éteint et l'horloge est affichée. Le ventilateur fonctionne encore quelque temps, puis s'arrête automatiquement.

Tableaux de cuisson

Les tableaux de cuisson peuvent servir de guide. Suivez les instructions de l'emballage ou de la recette.

Cuisson de la viande dans le four à micro-ondes

Assurez-vous de disposer les viandes préparées sur une grille à rôtir transparente aux micro-ondes et dans un plat transparent aux micro-ondes. Démarrez la cuisson de la viande, graisse tournée vers le bas et, si nécessaire,

utilisez de fines bandelettes de papier aluminium pour couvrir l'extrémité des os ou les parties minces. Une fois la cuisson terminée, vérifiez la température à plusieurs endroits avant de laisser reposer la viande pendant la durée de temps recommandée. Veuillez noter que les températures données dans les tableaux ci-dessous correspondent aux températures des aliments à leur retrait du four ; la température augmentera pendant la période de repos.

Viande	Niveau de puissance	Temps de cuisson	Instructions
Rôti de bœuf (désossé) (jusqu'à 4 lb)	Élevé (10) pour les cinq premières minutes, puis moyen (5)	12 à 17 minutes/lb pour 160° F (71°C) (Moyen) 14 à 19 minutes/lb pour 170° F (76°C) (Bien cuit)	Mettez le rôti de bœuf sur la grille à rôtir, graisse tournée vers le bas. Couvrez avec du papier paraffiné. Tournez le rôti à mi-cuisson. Laissez reposer pendant 10 à 15 minutes.*
Rôti de porc (désossé ou avec l'os) (jusqu'à 4 lb)	Élevé (10) pour les cinq premières minutes, puis moyen (5)	15 à 20 minutes/lb pour 170° F (76°C) (Bien cuit)	Mettez le rôti de bœuf sur la grille à rôtir, graisse tournée vers le bas. Couvrez avec du papier paraffiné. Tournez le rôti à mi-cuisson. Laissez reposer pendant 10 à 15 minutes.*

*S'attendre à une élévation de température de 10° F pendant la période de repos.

Période de repose

Viande	Degré de cuisson	Retirer du four	Après repos (10 à 15 minutes)
Bifteck	Moyen	150°F (65°C)	160°F (71°C)
	Bien cuit	160°F (71°C)	170°F (77°C)
Porc	Moyen	150°F (65°C)	160°F (71°C)
	Bien cuit	160°F (71°C)	170°F (77°C)
Volaille	Viande rouge	150°F (65°C)	150°F (65°C)
	Viande blanche	160°F (71°C)	160°F (71°C)

Cuisson de la volaille dans le four à micro-ondes

Assurez-vous de disposer la volaille sur une grille à rôtir et dans un plat transparent aux micro-ondes. Couvrez la volaille avec du papier paraffiné pour éviter les projections. Utilisez des bandelettes de papier aluminium

pour couvrir l'extrémité des os ou les parties minces ou les endroits qui risquent de trop cuire. Une fois la cuisson terminée, vérifiez la température à plusieurs endroits avant de laisser reposer la viande pendant la durée de temps recommandée.

Viande	Niveau de puissance	Temps de cuisson	Instructions
Volaille entière (jusqu'à 4 lb)	feu moyen élevé (7) 180° F (82°C) viande rouge 170° F (76°C) viande rouge	7–10 min./lb	Mettez le poulet sur la grille à rôtir, la poitrine tournée vers le bas. Couvrez avec du papier paraffiné. Tournez le rôti à mi-cuisson. Faites cuire le poulet jusqu'à ce que les jus qui s'en écoulent soient clairs et jusqu'à ce que la viande autour de l'os ne soit plus rose. Laissez reposer pendant 5 à 10 minutes.
Morceaux de poulet (jusqu'à 4 lb)	feu moyen élevé (7) 180° F (82°C) viande rouge 170° F (76°C) viande rouge	7–10 min./lb	Mettez le poulet dans le plat, os tournée vers le bas. Couvrez avec du papier paraffiné. Tournez le rôti à mi-cuisson. Faites cuire le poulet jusqu'à ce que les jus qui s'en écoulent soient clairs et jusqu'à ce que la viande autour de l'os ne soit plus rose. Laissez reposer pendant 5 à 10 minutes.

Cuisson des œufs dans le micro-ondes

- Ne cuisez jamais les œufs dans leur coquille et ne réchauffez jamais des œufs durs dans leur coquille, au risque de les éclater.
- Percez toujours le jaune d'œuf des œufs entiers pour les empêcher d'éclater.
- Cuisez les œufs jusqu'à ce qu'ils soient pris; ils durciront s'ils sont trop cuits.
- La cuisson des œufs brouillés est permise.

Cuisson de légumes dans votre micro-ondes

- Les légumes doivent être lavés juste avant leur cuisson. De l'eau additionnelle n'est que très rarement requise. Si des légumes denses, comme des pommes de terre ou des carottes sont à cuire, ajoutez environ un quart de tasse d'eau.
- Les petits légumes (carottes tranchées, petits pois, haricots de Lima, etc.) cuiront plus rapidement que les légumes plus grands.
- Les légumes entiers comme les pommes de terre, la courge poivrée ou l'épi de maïs devraient être disposés dans un cercle sur la plaque tournante avant la cuisson. Ils cuiront de façon plus uniforme si vous les retournez à mi-cuisson.
- Placez toujours les légumes comme les asperges et le brocoli avec les tronçons pointés vers le bord du plat et les pointes vers le centre.

- Lorsque vous faites cuire des légumes coupés, couvrez toujours le plat avec un couvercle ou une pellicule de plastique micro-ondable aérée.
- La peau des légumes entiers non pelés, comme les pommes de terre, les patates douces, les courges, les aubergines, etc. doit être percée à plusieurs endroits avant la cuisson pour les empêcher d'éclater.
- Pour une cuisson plus uniforme, brassez ou redispirez les légumes entiers à mi-cuisson.
- Dans la plupart du temps, plus l'aliment est dense, plus il faudra le laisser au repos. Par exemple, une pomme de terre cuite au four devrait être laissée au repos pendant 5 minutes avant de la servir, tandis qu'un plat de petits pois peut être servi immédiatement.

Cuisson de fruits de mer dans le micro-ondes

Assurez-vous de disposer le poisson sur une grille à rôtir et dans un plat transparent aux micro-ondes. Assurez-vous de toujours cuire le poisson jusqu'à ce qu'il se détache facilement à la fourchette. Utilisez un couvercle bien serré pour cuire à la vapeur le poisson; un couvercle plus léger de papier ciré ou de serviette de papier réduit l'efficacité de la cuisson à la vapeur. Prenez soin de ne pas trop cuire le poisson; vérifiez au temps de cuisson minimum avant de poursuivre.

Fruits de mer	Niveau de puissance	Temps de cuisson	Directions
Steaks de poisson jusqu'à 1 ½ lb	Feu moyen (7)	7–11 min. /lb	Disposez le poisson sur une grille de rôtisserie avec les portions charnues vers l'extérieur de la grille. Couvrez avec du papier ciré. Retournez et redispirez à mi-cuisson. Faites cuire jusqu'à ce que le poisson se détache facilement à la fourchette. Laissez reposer 3 à 5 min.
Filets de poisson jusqu'à 1 ½ lb.	Feu moyen (7)	7–11 min. /lb	Disposez les filets dans un plat allant au four, en tournant les morceaux minces se trouvant en-dessous. Couvrez avec du papier ciré. Si l'épaisseur du filet est supérieure à ½ po, retournez et redispirez à mi-cuisson. Faites cuire le poisson jusqu'à ce qu'il se détache facilement à la fourchette. Laissez reposer 2 à 3 min.
Crevettes jusqu'à 1 ½ lb.	Feu moyen (7)	7–11 min. /lb	Disposez les crevettes dans un plat allant au four sans les chevaucher ou les entasser. Couvrez avec du papier ciré. Faites cuire jusqu'à ce qu'elles soient fermes et opaques, en brassant deux ou trois fois. Laissez reposer 5 min.

Nettoyage et entretien

▲ AVERTISSEMENT

Assurez-vous que l'appareil tout entier (y compris les filtres de graisse et les ampoules) s'est refroidi et que la graisse s'est solidifiée avant de tenter de nettoyer une partie quelconque de l'appareil.

Nettoyage

Guide de nettoyage

- Pour une meilleure performance et par souci de sécurité, conservez le four propre à l'intérieur et à l'extérieur. Prenez particulièrement soin de maintenir le panneau de porte intérieur et le cadre avant du four exempts d'aliments et d'accumulations de graisse.

- N'utilisez jamais des poudres ou des tampons à récurer abrasifs sur le micro-ondes. Essuyez l'intérieur et l'extérieur du four à micro-ondes avec un chiffon doux et une solution tiède (pas chaud) de détergent léger. Rincez et essuyez complètement à sec.
- Essuyez les éclaboussures immédiatement avec une serviette de papier mouillée, surtout après la cuisson d'aliments gras comme le poulet ou le bacon.
- Nettoyez votre micro-ondes une fois par semaine ou plus, selon le besoin.
- N'utilisez jamais le four à micro-ondes sans aliment dans la cavité du four, cela pourrait endommager le tube magnétron ou le plat de verre. Vous pourriez choisir de laisser une tasse d'eau à l'intérieur du four lorsqu'il ne sert pas pour empêcher l'endommagement du four en cas d'allumage accidentel.

Pièce	Recommandations
Cavité du four	Conservez l'intérieur (la cavité) du four propre. Les particules alimentaires et les liquides déversés peuvent adhérer aux parois du four, dégradant ainsi le rendement du four. Essuyez immédiatement tous les déversements. Utilisez un chiffon humide et propre et un savon léger. N'UTILISEZ PAS des détergents puissants ou des nettoyeurs abrasifs. Pour aider à détacher les particules alimentaires ou les liquides collés, chauffez 2 tasses d'eau (ajoutez le jus d'un citron, si vous souhaitez donner une odeur fraîche à votre four) dans un bol à mesurer micro-ondable de 4 tasses à haute puissance pendant 5 minutes ou jusqu'à ébullition. Laissez reposer dans la cavité du four pendant 1 ou 2 minutes.
Grille	Lavez avec de l'eau savonneuse. Rincez à fond et séchez ou frottez doucement avec une poudre de nettoyage ou des tampons savonneux selon les instructions.
Plaque tournante de verre	Retirez la plaque tournante de verre du four lorsque vous nettoyez la cavité du four et le plateau. AVIS : Pour empêcher la plaque tournante de verre de se briser, manipulez-la avec soin et ne la plongez pas dans l'eau immédiatement après la cuisson. Lavez la plaque tournante de verre dans de l'eau savonneuse chaude ou dans le lave-vaisselle.
Repose-rouleau de plaque tournante.	Nettoyez avec de l'eau tiède savonneuse. Rincez à fond et séchez.
Verre de porte	Lavez avec du savon et de l'eau ou avec un nettoyeur pour verre. Utilisez du produit Fantastik® ou Formula 409® avec une éponge propre ou une serviette de papier et essuyez. Évitez d'utiliser des nettoyeurs abrasifs, comme les agents de nettoyage en poudre, les tampons en laine d'acier et les nettoyeurs pour four. Si la vapeur s'accumule à l'intérieur ou à l'extérieur de la porte du four, essuyez avec un chiffon doux. La vapeur peut s'accumuler en cours de fonctionnement du four à forte humidité et n'indique d'aucune manière une fuite du micro-ondes.
Surfaces peintes	Nettoyez avec de l'eau chaude savonneuse ou appliquez du produit Fantastik® ou Formula 409® sur une éponge propre ou une serviette de papier et essuyez. Évitez d'utiliser des nettoyeurs abrasifs, comme les agents de nettoyage en poudre, les tampons en laine d'acier et les nettoyeurs pour four.
Surfaces en acier inoxydable	Essuyez ou frottez toujours dans la direction du grain. Nettoyez avec une éponge savonneuse, puis rincez et séchez ou essuyez avec du produit Fantastik® pulvérisé sur une serviette de papier. Protégez et polissez avec le produit Stainless Steel Magic® et un chiffon doux. Retirez les traces d'eau avec un chiffon humecté de vinaigre blanc. Ne pas utiliser des nettoyeurs qui contiennent du chlore , ils peuvent rouiller l'acier inoxydable.

Pièce	Recommandations
Plastique et commandes	Lorsqu'ils sont froids, nettoyez avec de l'eau savonneuse, rincez et séchez.
Zones imprimées (Mots et numéros)	N'utilisez pas des nettoyeurs abrasifs ou des solvants à base de pétrole.

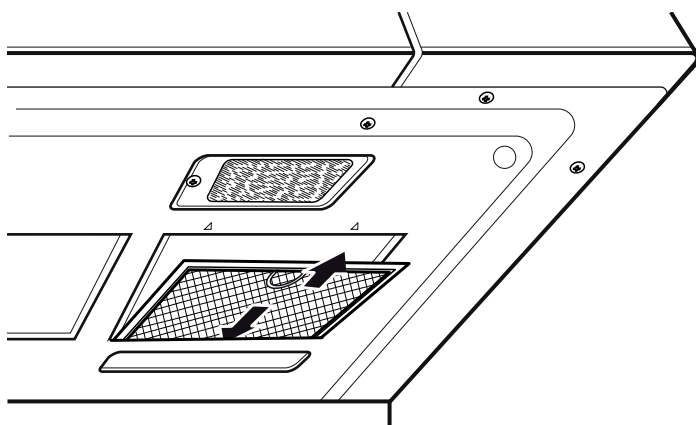
Nettoyage des filtres de ventilation du four

Les filtres de ventilation du four devraient être retirés et nettoyés souvent; généralement au moins une fois par mois.

▲ ATTENTION

Pour éviter le risque de blessure ou de dégât matériel, n'utilisez pas les événements de four sans filtres correctement en place.

1. Pour retirer les filtres de ventilation, couisissez le filtre vers l'arrière. Puis tirez le filtre vers le bas et poussez vers l'autre côté. Le filtre sortira. Répétez pour le deuxième filtre.



2. Trempez les filtres de ventilation dans de l'eau chaude avec un détergent léger. Rincez bien et sécouez pour sécher. N'utilisez pas de l'ammoniaque et ne lavez pas au lave-vaisselle. L'aluminium du filtre se corrodera et se noircira.
3. Pour réinstaller un filtre de ventilation de four, couisissez-le dans la fente latérale, puis poussez vers le haut et en direction du verrou. Réinstallez le deuxième filtre selon la même procédure.

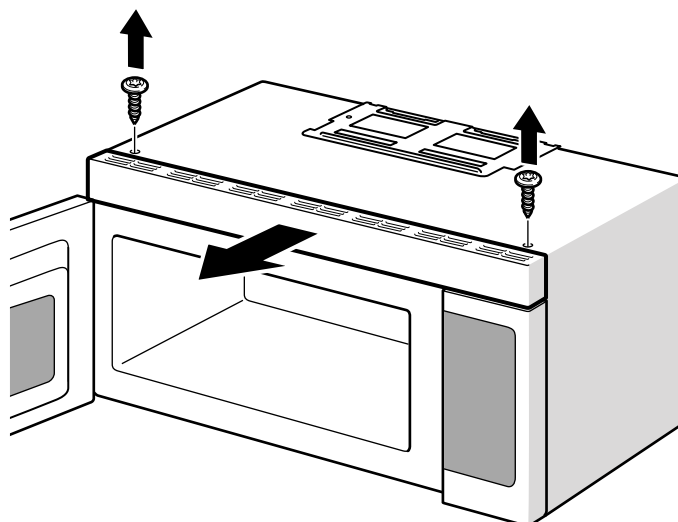
Entretien

Remplacement du filtre à charbon

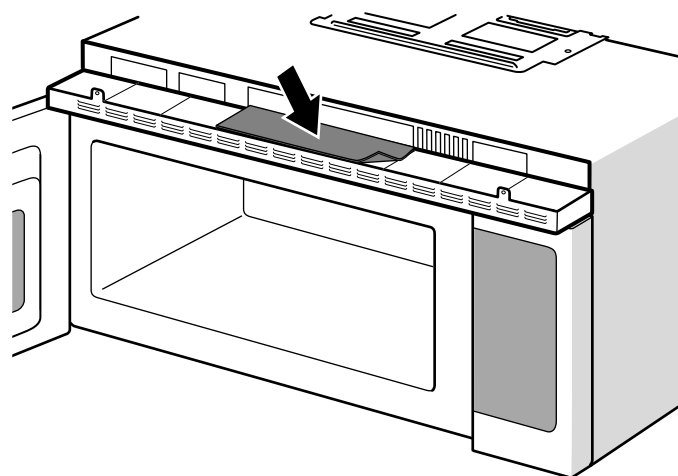
Le filtre à charbon, lequel est fourni avec votre four à micro-ondes, est utilisé dans les installations non aérées à recirculation de l'air (Ventilation de pièce). Le filtre doit être remplacé tous les 6 à 12 mois selon l'utilisation.

1. Débranchez l'alimentation au four à micro-ondes au panneau de disjoncteur ou en débranchant le cordon d'alimentation.
2. Retirez les vis de montage de la grille de ventilation.

3. Dégagez la grille de ventilation de l'unité.



4. Changez le filtre à charbon.



5. Repoussez soigneusement la grille de ventilation en place et remettez en place les vis retirées à l'étape 2.

Remarque : Sans filtre à charbon installé, il n'est pas possible de recueillir les substances odorantes des vapeurs de cuisson.

Vous pouvez acheter de filtres à charbon de Bosch eshop, www.bosch-eshop.com.

Numéro d'ordre 00676120

Dépannage

Si vous éprouvez un problème, la cause sera habituellement mineure. Avant de contacter le service à

la clientèle, veuillez songer à suivre les suggestions et les instructions ci-dessous :

Problème	Suggestion
Ni l'écran ni le four du micro-ondes fonctionne.	<ul style="list-style-type: none">• Insérez correctement la fiche dans une prise de courant mise à la terre.• Retirez la fiche de la prise, attendez 10 secondes, puis branchez de nouveau le micro-ondes.• Réenclenchez le disjoncteur du circuit résidentiel ou remplacez tout fusible grillé.• Branchez un autre appareil dans la prise de courant. Si l'autre appareil n'est pas alimenté, demandez à un électricien de réparer la prise de courant.• Branchez le micro-ondes dans une prise différente.
L'écran fonctionne mais le four ne fonctionne pas.	<ul style="list-style-type: none">• Assurez-vous que la porte du four est bien fermée.• Vérifiez si du matériel d'emballage ou autres matériaux sont collés dans le joint d'étanchéité de porte.• Examinez la porte du four pour voir si elle est endommagée.• Appuyez deux fois sur la touche Clear/Off (Effacer/Arrêt) et essayez de ressaisir les instructions de cuisson.
L'alimentation est coupée avant que le temps de cuisson ne s'est écoulé.	<ul style="list-style-type: none">• En cas d'interruption de courant, retirez la fiche de la prise de courant; attendez 10 secondes, puis branchez de nouveau le micro-ondes. En cas de panne de courant, l'indicateur de temps de l'écran affichera 00:00.• Réinitialisez l'horloge et toute instruction de cuisson.• Réenclenchez le disjoncteur du circuit résidentiel ou remplacez tout fusible grillé.• Appuyez deux fois sur la touche Clear/Off (Effacer/Arrêt) et essayez de ressaisir les instructions de cuisson.• Branchez un autre appareil dans la prise de courant. Si l'autre appareil n'est pas alimenté, demandez à un électricien de réparer la prise de courant.• Branchez le micro-ondes dans une prise différente.
L'aliment cuit trop lentement.	Assurez-vous que le four est branché sur un circuit séparé de 20 ampères. Un autre appareil branché sur le même circuit pourrait provoquer une baisse de tension. Au besoin, branchez le micro-ondes sur son propre circuit.
Vous voyez des étincelles ou une formation d'arcs.	Retirez tout ustensile métallique, casserole métallique ou attache métallique de la cavité du four. Si vous utilisez de la feuille en aluminium, utilisez seulement des bandes étroites et prévoyez au minimum un espace de 1 po entre l'aluminium et les parois intérieures du four.
La plaque tournante produit du bruit ou colle.	<ul style="list-style-type: none">• Nettoyez la plaque tournante, l'anneau du rouleau et le bas de la cavité du four.• Assurez-vous que la plaque tournante et l'anneau de rouleau sont positionnés correctement.
L'utilisation du micro-ondes perturbe la réception de la télévision ou de la radio.	Cela est similaire à la perturbation causée par d'autres petits appareils, comme des sècheuses. Éloignez davantage le four à micro-ondes des autres appareils comme votre téléviseur ou radio.
L'éclairage DEL ne fonctionne pas.	Appelez le service après-vente.

Remarque : Si le four est réglé pour une cuisson de plus de 30 minutes à un niveau de puissance de 100%, il réduira automatiquement la puissance à un niveau de puissance de 80% après 30 minutes pour éviter de trop cuire.

Soutien Bosch®

Avant d'appeler le service de dépannage

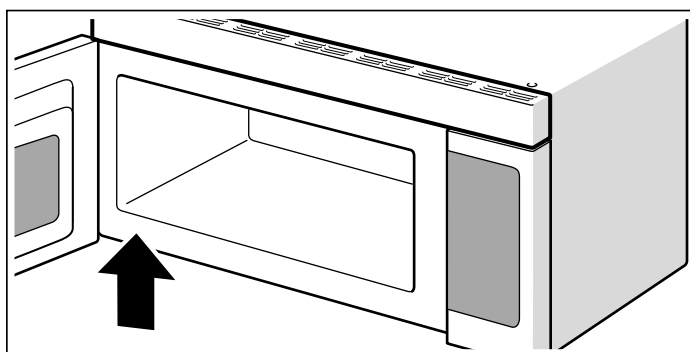
Pour des informations sur le dépannage, se reporter au Manuel d'utilisation et d'entretien. Consulter la "Énoncé de la Garantie Limitée" figurant dans le Manuel d'utilisation et d'entretien.

Pour contacter un technicien de dépannage, voir les coordonnées sur la couverture avant du manuel ou dans la section suivante. Lorsque vous téléphonez, soyez prêt à fournir les informations imprimées sur la plaque signalétique de votre produit.

Plaque signalétique

La plaque signalétique affiche le modèle et le numéro de série. Consultez la plaque signalétique de l'appareil lorsque vous sollicitez un service.

La plaque signalétique se trouve à l'intérieur de l'appareil.



Pour ne pas avoir à chercher longtemps en cas de besoin, vous pouvez inscrire ici les références de l'appareil et le numéro de téléphone du service après-vente

N° de modèle

N° FD

Date d'achat

Service après-vente ☎

Conservez votre facture ou votre contrat aux fins de validation de garantie si jamais vous avez besoin de service.

Service

Nous réalisons que vous avez effectué un investissement considérable dans votre cuisine. Nous nous engageons à offrir tout le support dont vous et votre appareil avez besoin afin que vous puissiez profiter pleinement de votre appareil.

Ne pas hésiter à contacter notre département de service à la clientèle si vous avez des questions ou dans le cas peu probable que votre appareil Bosch® ait besoin d'entretien. Notre équipe de service est prête à vous aider.

USA

800-944-2904

www.bosch-home.com/us/support

Canada

800-944-2904

www.bosch-home.ca/en/support

Pièces et accessoires

Les pièces, les filtres, les décalamineuses, les nettoyeurs en acier inoxydable et plus encore peuvent être achetés dans le magasin en ligne Bosch ou par téléphone.

USA

www.bosch-home.com/us/store

Canada

Marcone 800-482-6022

ou

Reliable Parts 800-941-9217

ÉNONCÉ DE LA GARANTIE LIMITÉE

Couverture de la garantie :

La garantie limitée fournie par BSH Home Appliances Ltd. (« BSH ») dans le présent énoncé de garantie limitée s'applique seulement aux Bosch appareil (« Produit ») vendu au premier acheteur, en autant que le produit ait été acheté :

- pour une utilisation normale résidentielle (non commerciale), et qu'en fait en tout temps a été utilisé pour un usage domestique normal ;
- nouveau au détail (non en montre, tel quel ou un retour), qu'il n'est pas destiné à la revente ni à un usage commercial et ;
- aux États-Unis ou au Canada et qu'il est demeuré en tout temps dans le pays où l'appareil a été acheté.

Les garanties données ici s'appliquent seulement au premier acheteur du produit et ne sont pas transférables. BSH se réserve le droit de demander une preuve d'achat au moment de la réclamation sous garantie afin de confirmer que le produit est à même la période de garantie limitée.

S'assurer de retourner la carte d'enregistrement, quoiqu'elle n'est pas nécessaire pour la garantie, c'est la façon dont BSH peut vous aviser dans le cas d'un avis de rappel ou de sécurité du produit.

Durée de la garantie

BSH garantit que le produit ne présente aucun défaut de matériaux ou de fabrication pour une période trois cent soixante cinq (365) jours à compter de la date d'achat. La durée commence à la date d'achat et ne sera pas allongée, prolongée, interrompue pour quelle que raison que ce soit.

Ce Produit est également garanti contre tout défaut de matériau et de fabrication *apparent* (tels les éraflures sur l'acier inoxydable, les défauts d'aspect de la peinture ou de la porcelaine, les ébréchures, les bosselures, ou autres dégâts au fini du Produit), pendant une période de trente (30) jours à compter de la date d'achat ou de la date de clôture pour une nouvelle construction. Cette garantie relative à *l'apparence* exclut les légères variations de couleur découlant des différences inhérentes aux pièces peintes et en porcelaine, ainsi que découlant des différences causées par l'éclairage de cuisine, l'emplacement du produit ou d'autres facteurs similaires. Cette garantie relative à *l'apparence* exclut plus particulièrement tout appareil électroménager en exposition, de plancher, « En l'état » ou de stock « B ».

Réparation ou remplacement comme solution exclusive

Pendant la période de garantie, BSH ou un de ses centres de service autorisés réparera le produit sans frais (sujet à certaines limitations indiquées dans le présent document), si le produit présente un défaut de fabrication ou de matériaux. Si des tentatives raisonnables pour réparer le produit sont vaines, alors BSH remplacera le produit (un modèle supérieur peut

être disponible, à la seule discrétion de BSH, moyennant des frais additionnels). Toutes les pièces ou les composants enlevés demeurent la seule propriété de BSH. Toute pièce et tout composant réparés doit être identique à la pièce d'origine à des fins de cette garantie et la garantie ne sera pas prolongée en regard de telles pièces. La seule responsabilité de BSH est de faire réparer le produit défectueux par un centre de service autorisé pendant les heures d'affaires normales. Pour la sécurité et éviter des dommages à la propriété, BSH recommande fortement de ne pas réparer le produit soi-même, par une personne non qualifié ; BSH ne sera pas tenu responsable des réparations ou du travail effectué par une personne non autorisée. Si le consommateur désire faire réparer par une personne autre qu'une personne autorisée, CETTE GARANTIE EST AUTOMATIQUEMENT NULLE ET NON AVENUE. Les centres de service autorisés sont les personnes ou les compagnies qui ont été spécialement formées sur les produits BSH et qui possèdent, selon l'opinion de BSH, une réputation supérieure pour le service à la clientèle et la capacité technique (il est à noter qu'elles sont des entités indépendantes et non des agents, partenaires, affiliations ou représentants de BSH). Nonobstant ce qui suit, BSH ne sera pas tenu responsable d'aucune façon si le produit est situé dans une région éloignée (supérieure à 100 miles d'un centre de service autorisé) ou n'est pas accessible de façon raisonnable, dans un environnement hasardeux, dangereux ; dans une telle éventualité, à la demande du consommateur, BSH pourrait payer les frais de main-d'oeuvre et de pièces et expédier les pièces à un centre de service autorisé le plus près, mais le consommateur serait entièrement responsable pour toute durée de déplacement et autres frais spéciaux encourus par le centre de service, en autant qu'il accepte l'appel de service.

Produit hors garantie

BSH n'a aucun obligation, par loi ou autre, d'offrir toute concession, incluant réparation, prorata ou remplacement de produit une fois la garantie expirée.

Exclusions à la garantie

La couverture de garantie décrite aux présentes exclut tout défaut ou dommage qui n'est pas une faute directe de BSH, y compris sans limitation, un ou plusieurs des cas suivants :

- utilisation du produit autre qu'un usage normal, habituel et de la façon destinée (incluant sans limitation toute forme d'utilisation commerciale, d'utilisation ou de rangement d'un produit pour l'intérieur à l'extérieur, utilisation du produit de concert avec un transporteur aérien ou marin) ;
- mauvaise conduite, négligence, mauvaise utilisation, abus, accidents, fonctionnement inadéquat, mauvais entretien, installation inadéquate ou négligente, altération, manquement d'observer les instructions de fonctionnement, mauvaise manipulation, service non

- autorisé (incluant réparation par le consommateur ou exploration du fonctionnement interne du produit) ;
- ajustement, modification ou altération de toute sorte ;
 - manquement à la conformité des normes applicables fédérales, provinciales, municipales ou électrique du pays, codes de plomberie et/ou de construction, réglementation ou lois, incluant le manquement d'installer le produit en stricte conformité avec les codes et réglementations de construction et d'incendie locaux ;
 - usure ordinaire, déversements d'aliments, liquide, accumulation de graisse ou autres substances accumulées dans, sur ou autour du produit ;
 - toute force ou tout facteur externe, élémentaire et/ou environnemental, incluant sans limitation, pluie, vent, sable, inondation, incendie, coulée de boue, gel, humidité excessive et exposition prolongée à l'humidité, foudre, surtension, problème de structure autour de l'appareil et actes de Dieu.

En aucun cas, BSH ne sera tenu responsable des dommages survenus à la propriété, incluant les armoires, planchers, plafonds et autres objets ou structures autour du produit. Également exclus de la garantie sont des produit sur lequel le numéro de série a été modifié, altéré, effacé, enlevé ; appel de service pour enseigner le fonctionnement du produit ou les visites où il n'y a aucun problème avec le produit ; correction de problèmes d'installation (le consommateur est seul responsable pour toute structure et tout réglage du produit, incluant l'électricité, la plomberie et autres connexions nécessaires, pour un plancher/fondation appropriée, et pour toute modification incluant, sans limitation, armoire, mur, plancher, tablette, etc.) et la remise de coupe-circuit ou remplacement de fusible.

SELON LA PORTÉE PERMISE PAR LA LOI, CETTE GARANTIE DONNE DES SOLUTIONS EXCLUSIVE RELATIVEMENT AU PRODUIT, QUE LA RÉCLAMATION SURVIENNE PAR CONTRAT OU TORT (INCLUANT RESPONSABILITÉ STRICTE OU NÉGLIGENCE) OU AUTRE. CETTE GARANTIE EST EN LIEU DE TOUTE AUTRE GARANTIE, EXPRESSE OU IMPLICITE, TOUTE GARANTIE PAR LOI, À DES FINS DE COMMERCIALISATION OU À DES FINS PARTICULIÈRES, OU AUTRE, SERA EN VIGUEUR SEULEMENT POUR LA PÉRIODE EFFECTIVE DE LA GARANTIE LIMITÉE EXPRESSE. EN AUCUN CAS, LE FABRICANT NE PEUT ÊTRE TENU RESPONSABLE DES DOMMAGES ACCESSOIRES, SPÉCIAUX, INDIRECTS, PERTES D'AFFAIRES, ET/OU DOMMAGES PUNITIFS, PERTES, FRAIS INCLUANT SANS LIMITATION LE MANQUEMENT AU TRAVAIL, REPAS À L'HÔTEL ET/OU AU RESTAURANT, FRAIS DE REMODELAGE SURVENUS À CAUSE DE DOMMAGES DIRECTS DÉFINITIVEMENT CAUSÉS EXCLUSIVEMENT PAR BSH OU AUTRE. CERTAINS ÉTATS NE PERMETTENT PAS L'EXCLUSION OU LA LIMITATION DES DOMMAGES ACCESSOIRES OU INDIRECTS ET NE PERMETTENT PAS LA LIMITATION SUR LA DURÉE D'UNE GARANTIE IMPLICITE, PAR CONSÉQUENT LES LIMITATIONS SUSMENTIONNÉES PEUVENT NE PAS S'APPLIQUER. CETTE GARANTIE DONNE DES DROITS SPÉCIFIQUES ET IL PEUT Y EN AVOIR D'AUTRES QUI VARIENT D'UN ÉTAT À L'AUTRE.

Aucune tentative de modifier, changer ou amender cette garantie ne peut être effective sans le consentement écrit autorisé par un officier de BSH.



9001152493

960720



BOSCH

Invented for life

1901 Main Street, Suite 600 • Irvine, CA 92614 • 800-944-2904
www.bosch-home.com • © 2016 BSH Home Appliances