

# MONOGRAM 30" BUILT-IN FRENCH-DOOR DOUBLE OVEN ZTDX1FPSNSS



## THE MONOGRAM STATEMENT COLLECTION

Edge-to-edge handles, polished stainless steel, and hand-finished edges convey a sense of solidity and beauty

## FRENCH-DOOR DESIGN

Inspired by commercial kitchen designs, the precision engineered chain-drive mechanism allows for one-hand opening of both doors at the same time

## LCD CONTROLS

Allow you to adjust oven settings with little effort

## WIFI CONNECT

Perfectly in sync with a busy lifestyle, Alexa or Google Home can be used to control an array of oven functions from both inside and outside the home

## VOICE CONTROL

Preheat the oven and more, all without raising a finger

## PRECISION COOKING MODES

Master new recipes and perfectly execute favorite dishes using this ultra-smart system that automatically tracks cooking progress, modifies temperatures and adjusts cook times

## SCAN-TO-COOK

Innovative and time saving, scan-to-cook technology ensures that packaged foods are always prepared correctly. A simple scan of the barcode with a smartphone delivers consistently, delicious results

## TWIN CONVECTION WITH DIRECT AIR

Achieve beautifully cooked and delicious meals every time with this expertly designed, third heating element and fan combination

## 10.0 CUBIC FOOT OVEN CAPACITY (5.0 EACH OVEN)

Easily accommodates even the largest meals

## EXCLUSIVE SELF-CLEAN, (4 FULL-EXTENSION, 2 REGULAR) OVEN RACKS

Glide in and out smoothly on stainless steel ball bearings, and are designed to be left in the oven during the self-clean cycle

## TEN-PASS BAKE ELEMENT

Covers more surface area for more even baking results

## EIGHT-PASS BROIL ELEMENT

Provides complete coverage and even browning, even for large dishes

## SELF-CLEAN WITH STEAM CLEAN OPTION

Gives you flexible options for thorough oven cleaning

## OVERALL DIMENSIONS



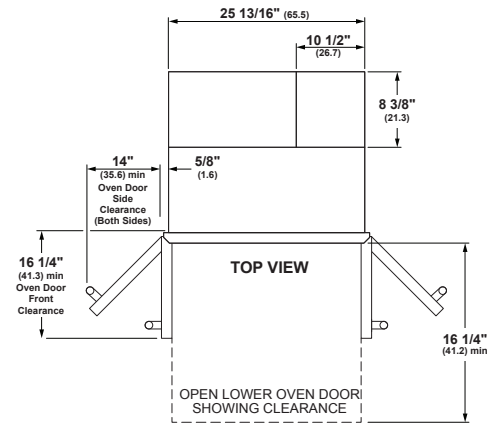
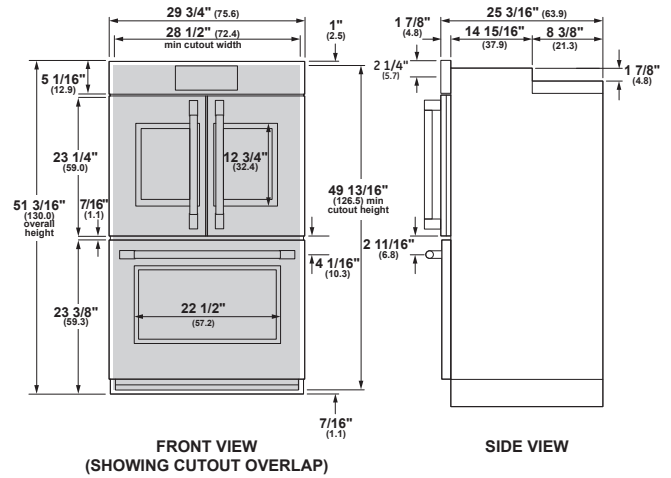
### SPECIFICATIONS

Overall Width	29 3/4" (75.6 cm)
Overall Height	51 3/16" (130.0 cm)
Overall Depth Including Handle	27 13/16" (70.6 cm) Upper oven 27 1/2" (69.9 cm) Lower oven
Oven Door Clearance	16 1/4" (41.3 cm) Upper oven 20 9/16" (52.3 cm) Upper oven
Overall Oven Interior Capacity	10.0 cu. ft. (283.2 liters)
Oven Interior Dimensions (W x H x D)	25" x 17 3/8" x 20 1/4" (63.5 cm x 44.1 cm x 51.4 cm)
Minimum Cabinet Width	30" (76.2 cm)
Minimum Cabinet Depth	24" (61.0 cm)
Minimum Base Support	400 lbs (181 kg)
Cutout Width	28 1/2" (72.4 cm) Min 28 5/8" (72.7 cm) Max
Cutout Height	49 13/16" (126.5 cm) Min 51 15/16" (131.9 cm) Max
Cutout Depth	23 1/2" (59.7 cm) Min
Volts/Hertz/Amps	240/208 V AC, 60 Hz, 40A
Conduit Length	48" (72" available special order: WB18T10398)
Electrical Rating	6.8 kW at 208V 9.0 kW at 240V
Shipping Weight	390 lbs (178 kg)

### ATTENTION ELECTRICIAN:

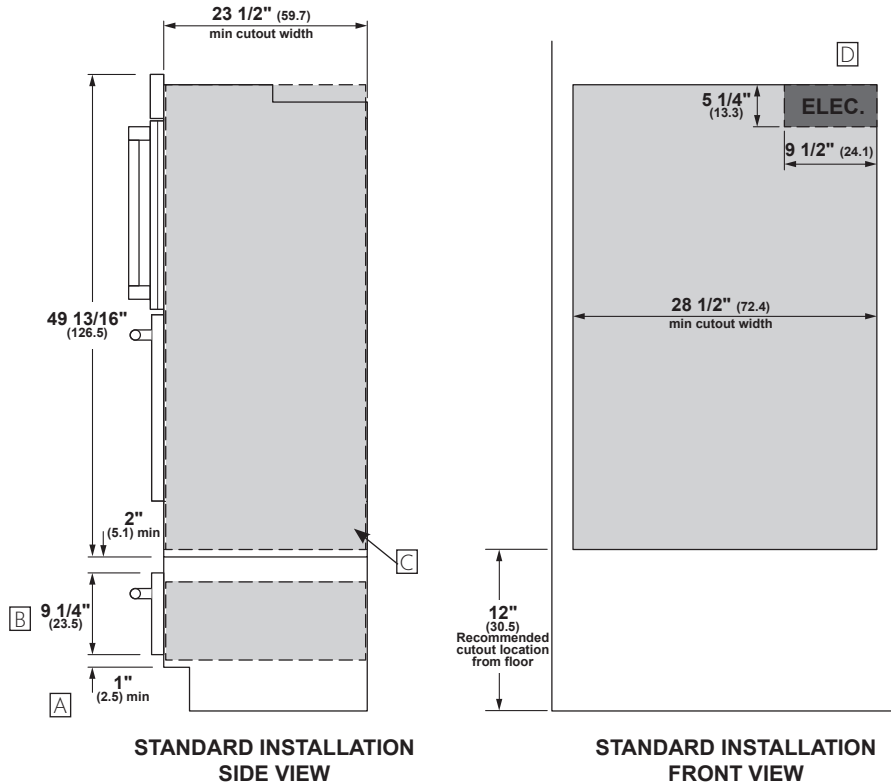
A 240/208V, 60Hz, 20 Amp circuit is required. An individual properly grounded branch circuit or circuit breaker is required. Hardware junction box is required for built-in product.

### OVERALL DIMENSIONS



Dimensions in parentheses are in centimeters unless otherwise noted. Actual product dimensions may vary due to manufacturing tolerances.

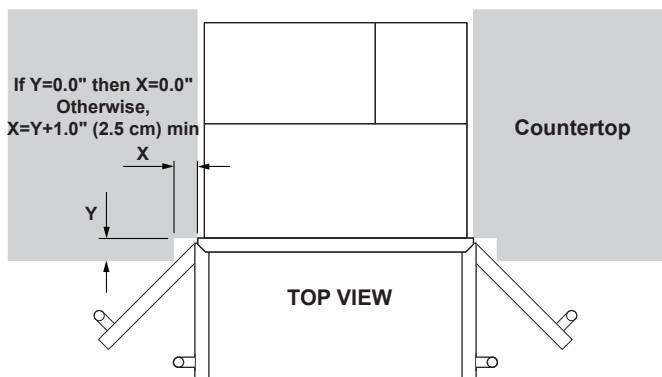
## WALL INSTALLATION



## HELPFUL TIPS

- A** Based on user height of 5'6" to 5'10"
- B** Dimensions per Warming Drawer requirements.
- C** Platform must be able to support 400 lbs. (181 kg)
- D** Junction box location (May also be located in adjacent cabinet.)

## INSTALLATION TO ADJACENT COUNTERTOP



For more details, refer to the installation instructions for this product on [Monogram.com](http://Monogram.com). Dimensions in parentheses are in centimeters unless otherwise noted.